

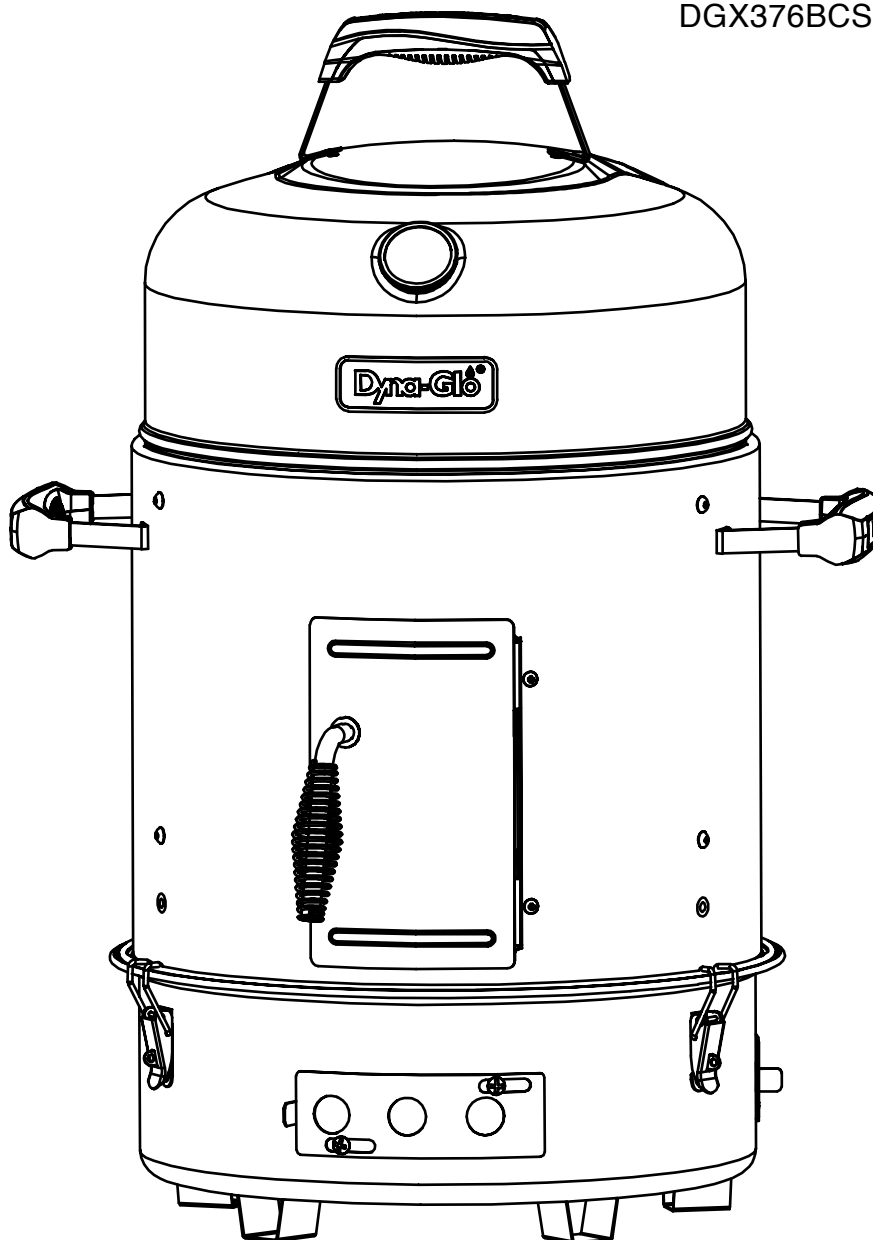


# Compact Vertical Charcoal Smoker & Grill

MODEL #DGX376VCS / DGX376VCS-D / DGX376BCS / DGX376BCS-D

Français p. 24

Español p. 47



Save these instructions for future reference. If you are assembling this unit for someone else, give this manual to him or her to read and save for future reference.

ATTACH YOUR RECEIPT HERE

Serial Number \_\_\_\_\_ Purchase Date \_\_\_\_\_



**Questions, problems, missing parts?** Before returning to your retailer, call our customer service department at 1-877-447-4768, 8:30 a.m. – 4:30 p.m. CST, Monday – Friday or e-mail us at [customerservice@ghpgroupinc.com](mailto:customerservice@ghpgroupinc.com).



**NO NEED TO RETURN TO THE STORE**

Questions With The Assembly?  
Require Parts Information?  
Product under Manufacturers Warranty?

Call Toll Free : 1-877-447-4768  
8:30 a.m. - 4:30 pm CST, Monday - Friday

**Retain This Owner's Manual And Proof Of Purchase For Future Reference**

**To help us help you**  
Fill in the information below

Date of Purchase

Place of Purchase

Model Number

Product Serial No.

**MODEL NUMBER AND PRODUCT SERIAL NUMBER CAN BE FOUND ON  
THE RATING LABEL OF YOUR GRILL**

## TABLE OF CONTENTS

---

Safety Information .....	4
Package Contents .....	7
Hardware Contents .....	8
Preparation .....	8
Assembly Instructions .....	9
Operating Instructions .....	13
First Use .....	14
Lighting Instructions .....	14
Smoking Instructions .....	15
Grilling Instructions .....	16
Adding Additional Charcoal/Flavored Wood.....	17
Adding Additional Water .....	18
Controlling Flare-ups .....	20
Tips .....	20
Care and Maintenance .....	21
Replacement Parts List .....	22
Warranty .....	23



### **WARNING**

**For Outdoor Use Only** (outside any enclosure)



### **WARNING**

1. Improper installation, adjustment, alteration, service or maintenance can cause injury or property damage.
2. Read the installation, operation, and maintenance instructions thoroughly before installing or servicing this equipment.
3. Failure to follow these instructions could result in fire or explosion, which could cause property damage, personal injury, or death.
4. This instruction manual contains important information necessary for the proper assembly and safe use of the appliance.
5. Read and follow all warnings and instructions before assembling and using the appliance.
6. Follow all warnings and instructions when using the appliance.
7. Keep this manual for future reference.



### **DANGER**

**Never operate this appliance unattended.**



### **WARNING**

**Do not store or use gasoline or other flammable liquids or vapors in the vicinity of this or any other appliance.**

## SAFETY INFORMATION

---

Please read and understand this entire manual before attempting to assemble, operate or install the product. If you have any questions regarding the product, call our customer service department at 1-877-447-4768, 8:30 a.m.- 4:30 p.m. CST, Monday - Friday.

### WARNINGS AND CAUTIONS:

- This smoker is for outdoor use only, and shall not be used in a building, garage or any other enclosed area.
- For residential use only. This smoker is NOT for commercial use.
- Never use charcoal that has been pre-treated with lighter fluid. Use only a high grade plain charcoal, charcoal/wood mixture, lump charcoal or cooking wood. The conversion to or attempted use of any other fuel source in this smoker is dangerous and will void your warranty.
- This smoker is not intended for and should never be used as a heater. TOXIC fumes can accumulate and cause asphyxiation.
- **DO NOT** use smoker for indoor cooking. Toxic carbon monoxide fumes can accumulate and cause asphyxiation.
- **DO NOT** operate, light or use this appliance within ten (10) feet (3.05 m) of walls, structures or buildings. Do not use this appliance under any type of overhang or roof.
- Apartment Dwellers: Check with management to learn the requirements and fire codes for using a smoker in your apartment complex. If allowed, use outside on the ground floor with a ten (10) foot (3.05 m) clearance from any structure. Do not use on or under balconies.
- **DO NOT** use gasoline, kerosene or alcohol for lighting.
- **DO NOT** use in an explosive atmosphere. Keep smoker area free and clear from combustible materials, gasoline and other flammable vapors and liquids.
- **DO NOT** store or use gasoline or other flammable liquids or vapors within 25 feet (7.62 m) of this appliance.
- **DO NOT** alter or modify smoker in any manner. Any modification or alteration will void your warranty.
- **DO NOT** use the smoker unless it is COMPLETELY assembled and all parts are securely fastened and tightened.
- This smoker should be thoroughly cleaned and inspected on a regular basis. If smoker has not been cleaned, a grease fire can occur that may damage the product.
- Use only manufacturer's factory authorized parts. The use of any part that is not factory authorized can be dangerous and will void your warranty.
- **DO NOT** use this appliance without reading "Operating Instructions" in this manual.
- **DO NOT** touch metal parts of smoker until it has completely cooled (about 45 min.) to avoid burns, unless you are wearing protective gear (pot holders, gloves, BBQ mittens, etc.).
- Never touch grates (charcoal or cooking), ashes or coals to see if they are hot.
- **DO NOT** use on wooden decks, wooden furniture or other combustible surfaces.
- Always place your smoker on a hard, non-combustible level surface. An asphalt or blacktop surface may not be acceptable for this purpose.
- **DO NOT** use in or on boats or recreational vehicles.
- Position smoker so wind cannot carry ashes to combustible surfaces.
- **DO NOT** use in high winds.
- Never lean over the smoker when lighting.
- **DO NOT** leave a lit smoker unattended. Keep children and pets away from smoker at all times.
- **DO NOT** attempt to move smoker when in use. Allow the smoker to cool (about 45 min.) before moving or storing.

## SAFETY INFORMATION

---

- When cooking, fire extinguishing materials shall be readily accessible. In the event of an oil/grease fire, do not attempt to extinguish with water. Use type BC dry chemical fire extinguisher or smother with dirt, sand or baking soda.
- Always open smoker lid carefully and slowly as heat and steam trapped within smoker can severely burn you.
- **DO NOT** leave smoker unattended while preheating or burning off food residue. If smoker has not been cleaned, a grease fire can occur that may damage the product.
- **DO NOT** place empty cooking vessels on the appliance while in operation.
- Use caution when placing anything under or in the smoker while the appliance is in operation. Use oven mitts or gloves to protect your hands, and avoid touching hot surfaces.
- Never add lighting fluid to hot or even warm coals as flashback may occur causing serious injury or damage to property.
- Always wear protective gloves when adding fuel (charcoal briquettes, wood or lump charcoal) to retain desired heat level.
- **DO NOT** remove the ashes until they are completely and fully extinguished. Hot briquettes and coals can create a fire hazard.
- Always empty the ash pan and smoker after each use.
- **DO NOT** place fuel (charcoal briquettes, wood or lump charcoal) directly into bottom of smoker. Place fuel only on the charcoal grate (Part No. 5, Pg 7).
- **DO NOT** allow charcoal to rest on the walls of smoker. Doing so will greatly reduce the life of the metal and finish of your smoker.
- Check to make sure the air vents are free of debris and ash before using the smoker.
- Make sure charcoal grate is securely and completely in place before using the smoker.
- **DO NOT** move smoker while water bowl contains liquid.
- Always use the water bowl and ash pan designed for this smoker when using smoker.
- Use only authorized replacement parts supplied by manufacturer.
- Always keep a thin layer of water in ash pan to extinguish any falling ashes and embers.
- **DO NOT** allow water in water bowl to completely evaporate while smoker is in use. Check water bowl at least every 2 hours and add water if level is low. Add water per “Adding Additional Water” section in this manual (Pages 18-19).
- **DO NOT** remove water from water bowl once food is removed. Allow smoker to cool and water to evaporate.
- Before smoker can be left unattended (after cooking is complete):
  - Smoker must be cool.
  - Remaining coals and ashes must be carefully removed and placed in a noncombustible metal container and saturated with water.
  - Allow saturated coals and ashes to remain in a noncombustible container and keep it saturated with water for 24 hours prior to properly disposing.
  - With a garden hose, completely wet the surface beneath and around smoker to extinguish any ashes, coals or embers that may have fallen during the cooking or cleaning process.
  - Extinguished coals and ashes should be placed a safe distance from all structures and combustible materials.
  - Keep all electrical cords away from a hot smoker.

## SAFETY INFORMATION

---

- Always use a meat thermometer to ensure food is cooked to a safe temperature.
- Never cover entire cooking area with aluminum foil.
- Use protective gloves when assembling this product.
- Do not force parts together as this can result in personal injury or damage to the product.
- Use caution when lifting or moving cooled smoker to prevent strains and back injuries.
- Death, serious injury or damage to property may occur if the above is not followed exactly.

### CALIFORNIA PROPOSITION 65:

- Combustion by-products produced when using this product contain chemicals known to the state of California to cause cancer, birth defects, and other reproductive harm.
- Wash your hands after handling this product.

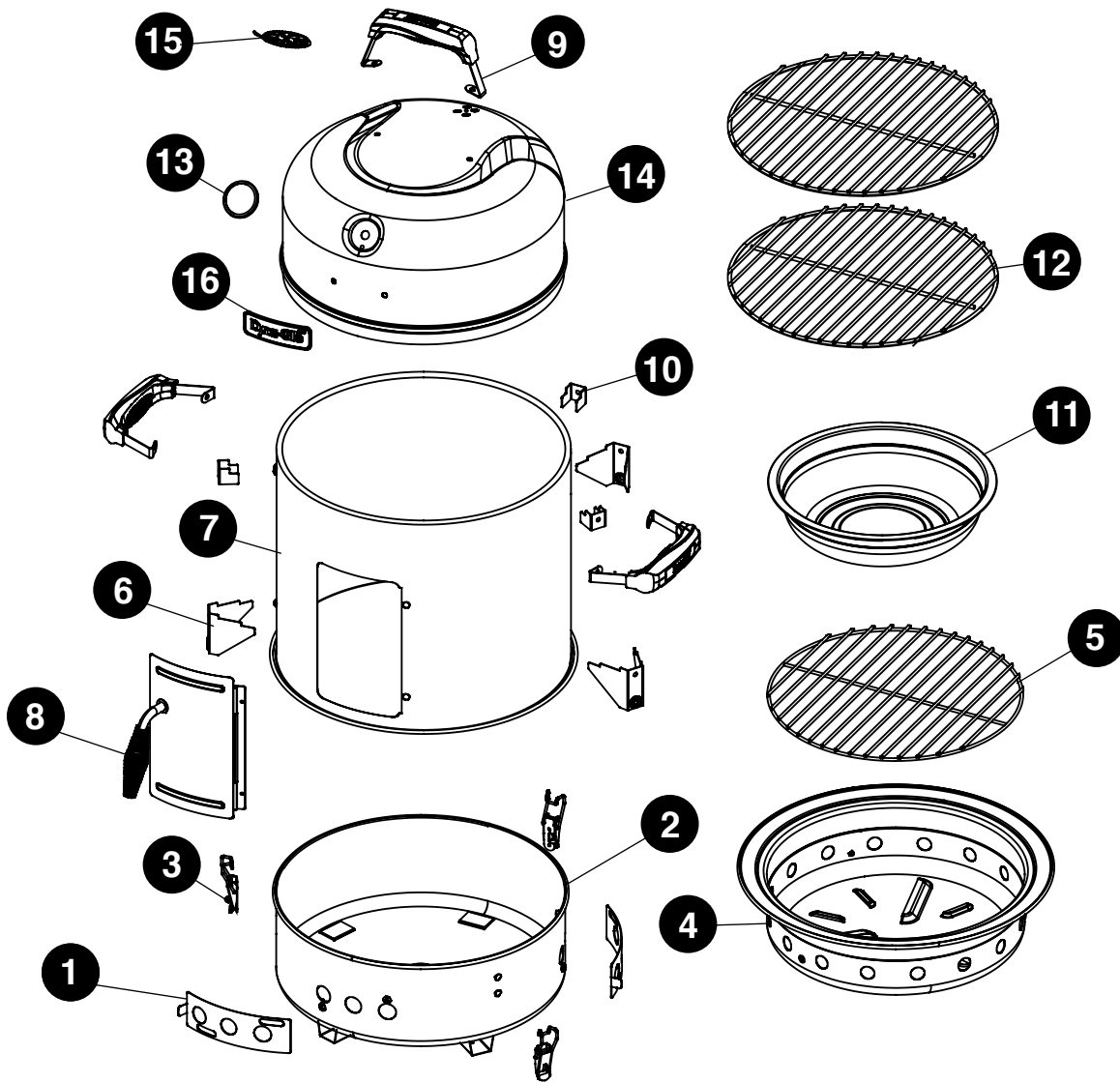


## WARNING

### **CARBON MONOXIDE WARNING**

- Burning wood chips gives off carbon monoxide, which has no odor and can cause death.
- **DO NOT** burn wood chips inside homes, vehicles, tents, garages or any enclosed areas.
- Use only outdoors in a well-ventilated space.

# PACKAGE CONTENTS



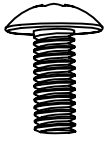
PART	DESCRIPTION	QUANTITY
1	Lower Damper Plate (L/R)	2
2	Bottom Smoker Section	1
3	Smoker Body Latch	3
4	Ash Pan	1
5	Charcoal Grate	1
6	Lower Support Brackets	3
7	Middle Smoker Section	1
8	Access Door Assembly	1

PART	DESCRIPTION	QUANTITY
9	Lid Handle & Left/Right Side Handles	3
10	Upper Support Brackets	3
11	Water Bowl	1
12	Cooking Grate	2
13	Temp Gauge w/ Nut	1
14	Lid Assembly	1
15	Lid Damper Plate	1
16	Dyna-Glo Badge	1

## HARDWARE CONTENTS

---

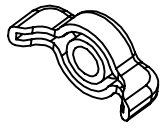
**A**



M4 x 15 mm  
Screw

Qty. 9

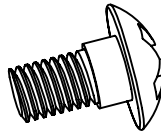
**B**



M4 Wingnut

Qty. 9

**C**



M5 x 12 mm  
Shoulder Screw

Qty. 4

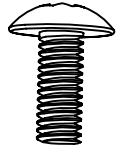
**D**



M5 Wingnut

Qty. 18

**E**



M5 x 12 mm  
Screw

Qty. 12

## PREPARATION

---

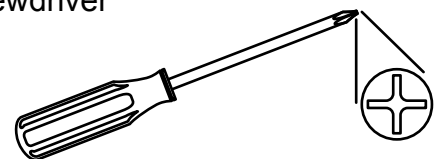
Before beginning assembly of product, make sure all parts are present. Compare parts with package contents list and hardware contents list. If any part is missing or damaged, do not attempt to assemble the product.

For Ease of Assembly:

- To avoid losing any small components or hardware, assemble your product on a hard level surface that does not have cracks or openings.
- Clear an area large enough to lay out all components and hardware.
- When applicable, tighten all hardware connections by hand first. Once the step is completed, go back and fully tighten all hardware.
- Follow all steps in order to properly assemble your product.

**Estimated Assembly Time: 30 minutes**

Tools Required for Assembly (Not Included): No. 2 Phillips Head Screwdriver

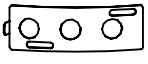

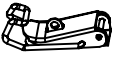








# ASSEMBLY INSTRUCTIONS

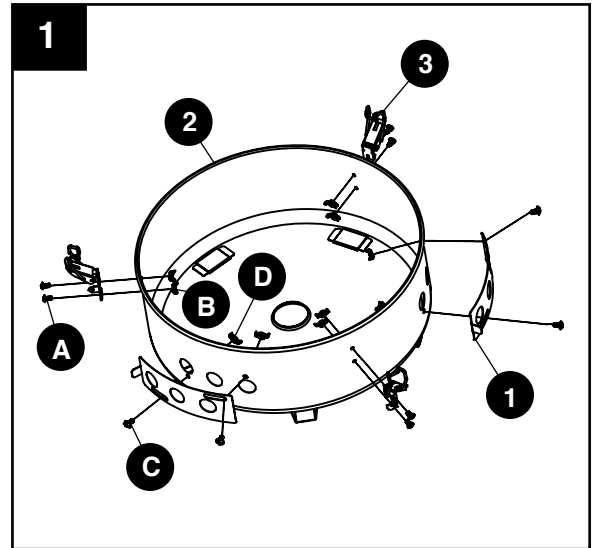
## Step 1

### Parts Used

<b>1</b>	Side Damper Plate		x 2
<b>2</b>	Bottom Smoker Section		x 1
<b>3</b>	Smoker Body Latch		x 3



### Hardware Used

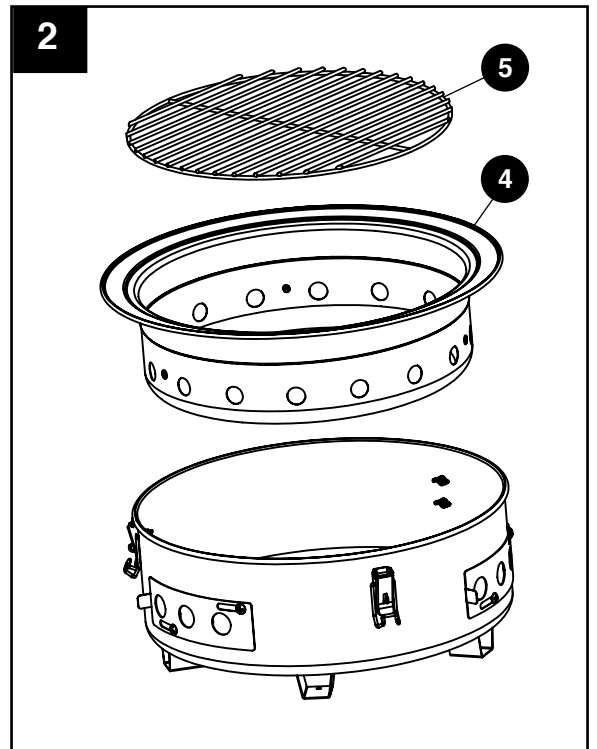
<b>A</b>	M4 x 15 mm Screw		x 6
<b>B</b>	M4 Wingnut		x 6
<b>C</b>	M5 x 12 mm Shoulder Screw		x 4
<b>D</b>	M5 Wingnut		x 4



## Step 2

### Parts Used



<b>4</b>	Ash Pan		x 1
<b>5</b>	Charcoal Grate		x 1





## ASSEMBLY INSTRUCTIONS

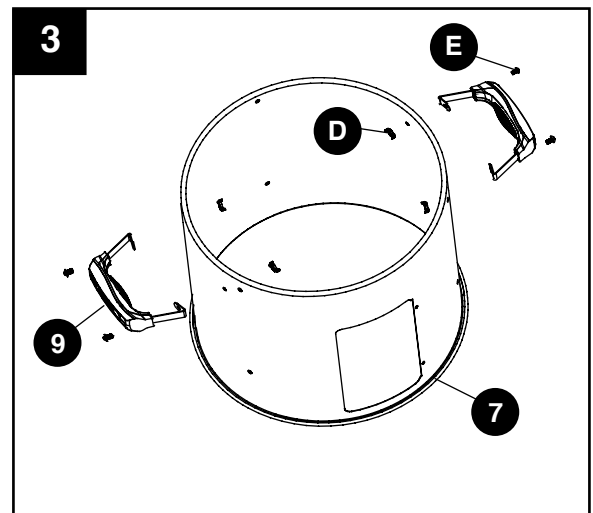
### Step 3

#### Parts Used

<b>7</b>	Middle Smoker Section		x 1
<b>9</b>	Left/Right Side Handles		x 2

#### Hardware Used

<b>E</b>	M5 x 12 mm Screw		x 4
<b>D</b>	M5 Wingnut		x 4





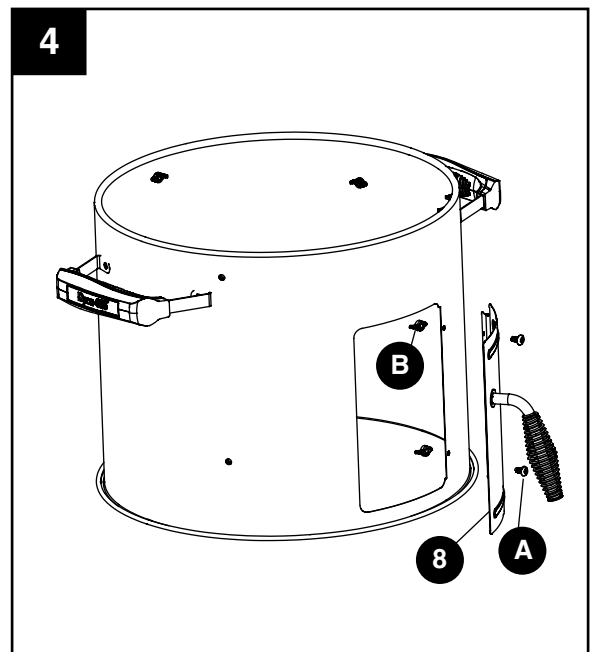
### Step 4

#### Parts Used

<b>8</b>	Access Door Assembly		x 1
----------	----------------------	---	-----

#### Hardware Used



<b>A</b>	M4 x 15 mm Screw		x 2
<b>B</b>	M4 Wingnut		x 2





# ASSEMBLY INSTRUCTIONS

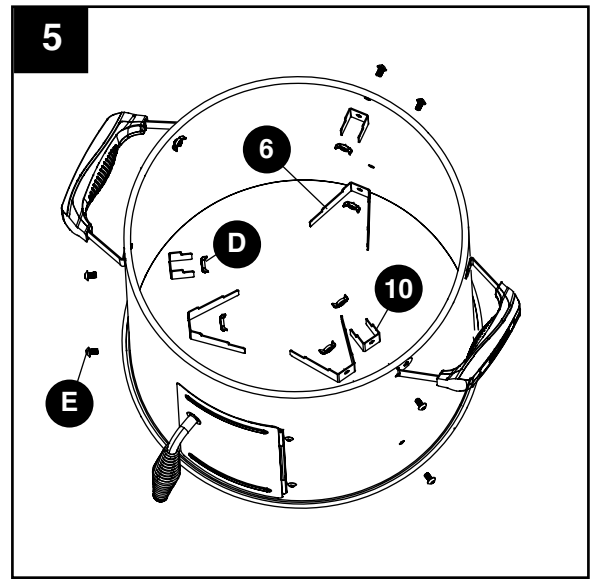
## Step 5

### Parts Used

<b>6</b>	Lower Support Brackets		x 3
<b>10</b>	Upper Support Brackets		x 3

### Hardware Used

<b>E</b>	M5 x 12 mm Screw		x 6
<b>D</b>	M5 Wingnut		x 6



## Step 6

Place the smoker body onto the base.

### To lock the smoker base:

Lift the lock lever upwards until the wire engages on the lip of the smoker body. See Fig 1a.

### To unlock the smoker base:

Lift lock upwards until the wire disengages from the lip of the smoker body. See Fig 1b.

### ⚠ CAUTION:

- All transporting and storage should be done when smoker is cool and with the fuel supply removed.
- Always lock the smoker base before transporting.

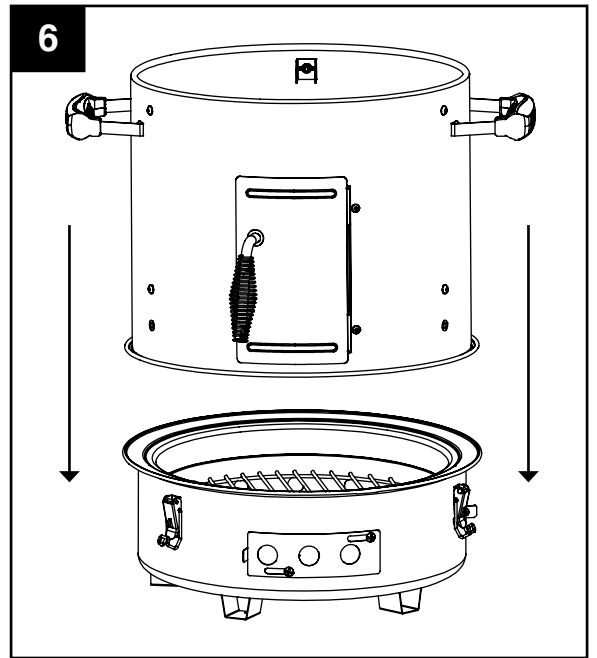


Fig. 1a

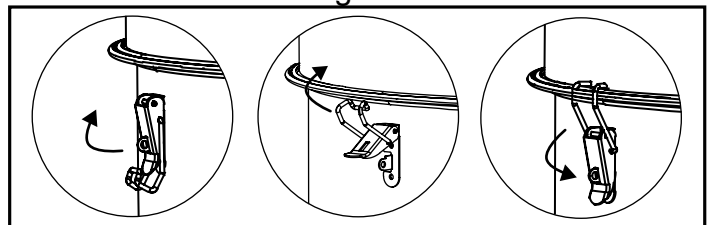
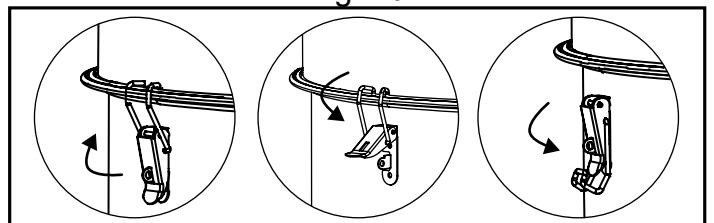


Fig. 1b



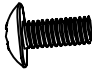

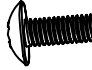

# ASSEMBLY INSTRUCTIONS

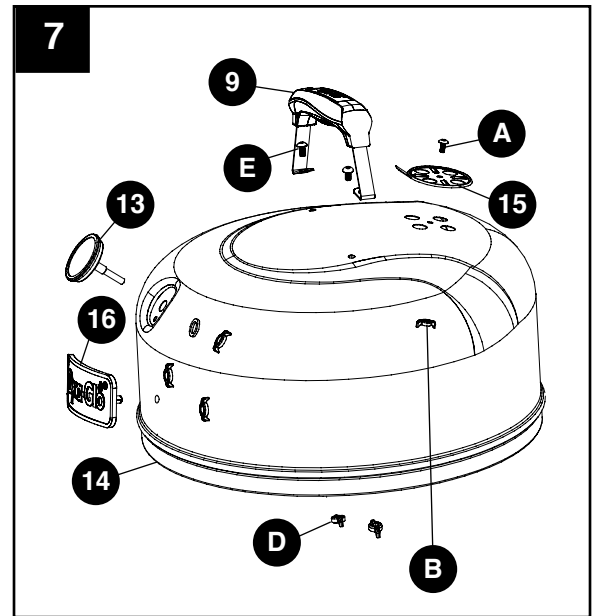
## Step 7

### Parts Used

<b>13</b>	Temp Gauge w/ Nut		x 1
<b>14</b>	Lid Assembly		x 1
<b>15</b>	Lid Damper Plate		x 1
<b>9</b>	Lid Handle		x 1
<b>16</b>	Dyna-Glo Badge		x 1



### Hardware Used

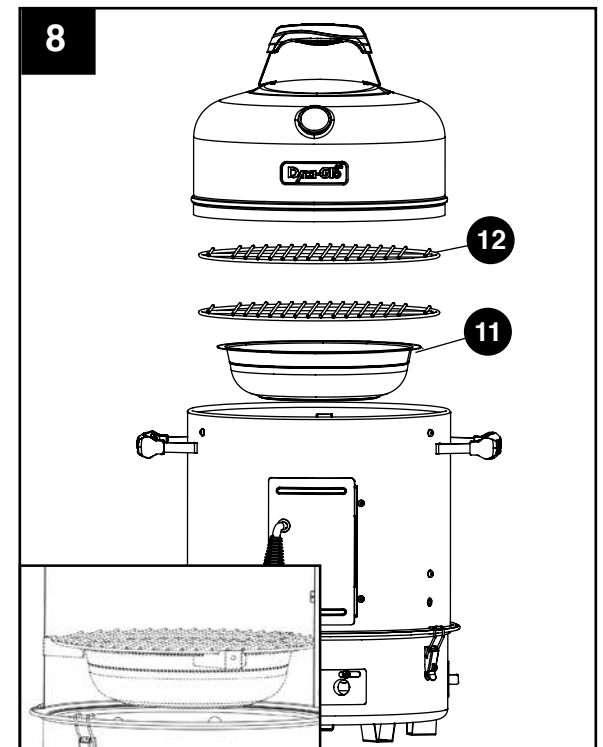
<b>A</b>	M4 x 15 mm Screw		x 1
<b>B</b>	M4 Wingnut		x 1
<b>E</b>	M5 x 12 mm Screw		x 2
<b>D</b>	M5 Wingnut		x 4



## Step 8

### Parts Used

<b>11</b>	Water Bowl		x 1
<b>12</b>	Cooking Grate		x 2



## OPERATING INSTRUCTIONS

---

This appliance is designed for use only with quality charcoal briquettes, lump charcoal and cooking wood.

### CAUTION:

- Never use charcoal that has been pre-treated with lighter fluid. Use only a high grade plain charcoal, charcoal/wood mixture, lump charcoal or cooking wood.
- Always place your smoker on a hard, non-combustible, level surface. An asphalt or blacktop surface may not be acceptable for this purpose.
- Do not use on wooden decks, wooden furniture or other combustible surfaces.
- Position smoker so wind can not carry ashes to combustible surfaces.
- Position smoker to prevent smoke from entering house through open doors or windows.
- Do not use in high winds.

### First Use

1. Make sure all labels, packaging and protective films have been removed from the smoker.
2. Remove manufacturing oils before cooking on this smoker for the first time:
  - a. Light smoker per “Lighting Instructions” section in this manual.
  - b. Operate smoker for at least 2 hours with the lid closed. This will “heat clean” the internal parts and dissipate odors.
  - c. Do not touch the exterior of the smoker or open the lid during this process.
  - d. After the 2 hours, follow “Smoking Instructions” or “Grilling Instructions” sections in this manual.
3. Apply a protective coat:
  - a. Remove water bowl and charcoal grid from smoker.
  - b. Apply a light coat of vegetable oil or vegetable oil spray to all interior surfaces of smoker.

### CAUTION:

- Do not apply vegetable oil to charcoal grid or charcoal pan.

## OPERATING INSTRUCTIONS

---

### Lighting Instructions

#### CAUTION

- Do not apply vegetable oil to charcoal grate or ash pan.
  - Check to make sure the air vents are free of debris and ash before using the smoker.
  - Before each use check smoker for any damaged or loose parts. Tighten any loose parts and replace any damaged parts before using smoker.
  - Make sure ash pan is empty and securely and completely in place before using the smoker.
1. Remove lid, cooking grates, and water bowl. Set aside.
  2. Make sure charcoal pan is empty and secure.
  3. For grilling or smoking, start with approximately 30 standard charcoal briquettes (1.6 lbs / 0.7 kgs). Colder climates may require more charcoal. **DO NOT FILL PAST THE TOP OF THE PAN.** (Figure 1, Page 15)
  4. Light per instructions on fuel package.
  5. **TIP: Wood chips may be used with charcoal, during the cooking process. Prior to adding wood chips, allow the charcoal to burn until covered with a light ash.** To add wood chips before cooking, wrap the desired amount of wood chips in aluminum foil and place directly onto the charcoal. Poke holes on the top of the foil wrapping to allow smoke to escape. Wood chips can also be placed directly onto the charcoal without aluminum foil, but the height of the wood chips should not exceed the height of the ash pan. The bottom of the water bowl should not touch the wood chips or charcoal during use. If the fuel level is too high, remove the water bowl with heat-resistant gloves and; while wearing the gloves, use metal tongs to spread the top layer of fuel evenly across the ash pan. The amount and type of wood you use is entirely dependent on the desired amount of flavor. Always follow the instructions on the flavored wood packaging prior to use.

#### CAUTION

- When using a liquid starter always check ash pan before lighting. Fluid can collect in the ash pan and could ignite resulting in a fire below the pan.
- Never add lighting fluid to hot or even warm coals as flashback may occur causing serious injury or damage to property.

## OPERATING INSTRUCTIONS

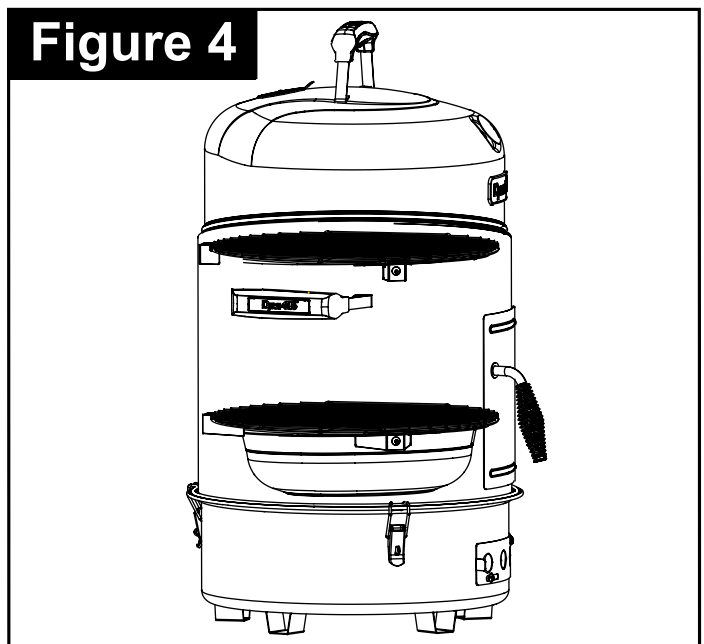
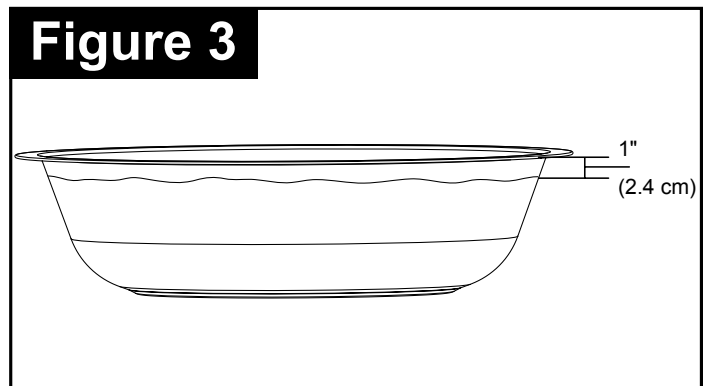
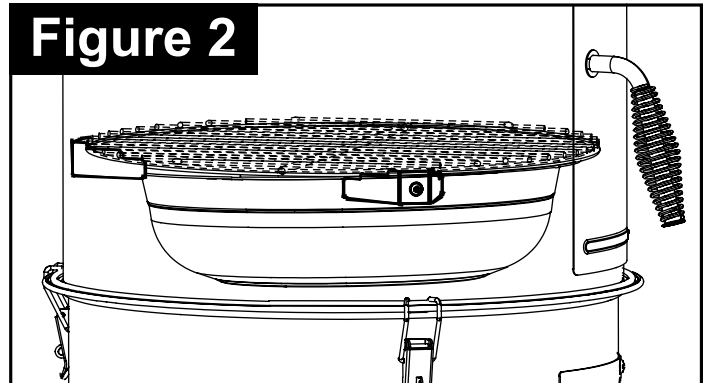
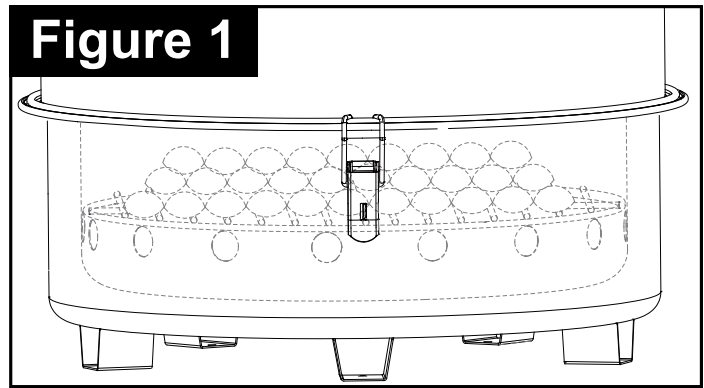
- Never add lighting fluid to hot or even warm coals as flashback may occur causing serious injury or damage to property.

### Smoking Instructions

1. Place charcoal briquettes or other solid fuel on charcoal grate (Figure 1) and light per "Lighting Instructions" in this manual.
2. While wearing heat resistant gloves, carefully place water bowl on lower support brackets (Figure 2).
3. While wearing heat resistant gloves, carefully fill water bowl to approximately 1 in. (2.54 cm) below the water bowl rim. (Figure 3).  
**Do not fill past "Max Fill Line".**  
Note: Water bowl holds 2 quarts of liquid and will last about 2 – 3 hours when smoker is in use.
4. While wearing heat resistant gloves, carefully remove the smoker lid. Make sure to open the lid away from you. This will allow the steam to escape away from you.
5. While wearing heat resistant gloves, carefully place cooking grate on the lower bracket supports. (Figure 4).
6. While wearing heat resistant gloves, carefully place food in a single layer and space it evenly on the lower cooking grate.
7. While wearing heat resistant gloves, carefully place 2nd cooking grate on upper support brackets. (Figure 4).
8. While wearing heat resistant gloves, carefully place the food in a single layer and space it evenly on the upper cooking grate.
9. While wearing heat resistant gloves, carefully place lid on smoker.
10. Check water level per "Adding Additional Water" and charcoal per "Adding Additional Charcoal/Flavored Wood" section in this manual.

### ⚠ CAUTION:

- Always use a meat thermometer to ensure food is cooked to a safe temperature.



## OPERATING INSTRUCTIONS

---

### Grilling Instructions

#### Option 1 - Grill: Direct Cooking

#### CAUTION

- Always check to make sure the smoker/grill is free of debris and ash before using it. Always use a meat thermometer to ensure food is cooked to a safe temperature.

Cooking directly over hot coals is ideal for searing in juices and grilling food requiring less than 25 minutes of grilling time, such as steaks, hamburgers, hot dogs, chicken parts, vegetables and fruit.

1. Remove lid, cooking grates and water bowl. Set aside.
2. Unlock and remove smoker body. Set aside.
3. Make sure ash pan is empty and secure.
4. Start with approximately 30 standard charcoal briquettes (1.6 lbs / 0.7 kgs). Colder climates may require more charcoal. DO NOT FILL PAST THE TOP OF THE PAN. (Figure 1, Page 15)
5. Light per instructions on fuel package. Leave lid off.
6. Allow fuel to burn into glowing coals before cooking.
7. While wearing protective gloves, carefully remove the smoker lid. Make sure to open the lid away from you. This will allow the steam to escape away from you.
8. While wearing protective gloves, carefully spread hot coals evenly around charcoal grate with a long handled tool.
9. While wearing protective gloves place grate on the lower support brackets, place lid and allow grill to preheat.
10. While wearing protective gloves open lid and place food onto cooking grate above the hot coals with long handled tongs.
11. Allow charcoal to burn out by closing the lid, side access door and all dampers. Except in the case of an emergency, do NOT pour water on hot coals.

#### WARNING:

- Never add lighting fluid to hot or even warm coals as flashback may occur causing serious injury or damage to property.

#### CAUTION:

- When using a liquid starter always check ash pan before lighting. Fluid can collect in the ash pan and could ignite resulting in a fire below the pan.



## OPERATING INSTRUCTIONS

---

### Option 2 - Grill: Indirect Cooking

#### CAUTION:

- Check to make sure the smoker/grill is free of debris and ash before using the grill.

Not cooking directly over hot coals is ideal for slow cooking and grilling foods requiring more than 25 minutes such as most roasts, loins, chops, whole chickens, turkey, fish and baked goods.

1. Remove lid, grate and water bowl. Set aside.
2. Unlock and remove smoker body. Set aside.
3. Make sure ash pan is empty and secure.
4. Arrange charcoal briquettes and/or wood on the left or right side of charcoal grate.
5. Light per instructions on fuel package. Leave lid open.
6. Allow fuel to burn into glowing coals before cooking.
7. While wearing protective gloves, carefully remove the smoker lid. Make sure to open the lid away from you. This will allow the steam to escape away from you.
8. While wearing protective gloves, carefully spread hot coals to the outsides of charcoal grate with a long handled tool.
9. While wearing protective gloves place cooking grate on lower support brackets, close lid and allow grill to preheat.
10. While wearing protective gloves open lid and use long handled metal tongs to place food on the cooking grate. For best results, do not place food directly over the briquettes or flavoring wood.
11. With lid open or closed, cook until desired internal food temperatures are achieved.
12. Allow charcoal to burn out by closing lid, side access door and all vents. Except in the case of an emergency, do NOT pour water on hot coals.

#### CAUTION:

- When using a liquid starter always check ash pan before lighting. Fluid can collect in the ash pan and could ignite resulting in a fire below the pan.
- Never add lighting fluid to hot or even warm coals as flashback may occur causing serious injury or damage to property.

### Adding Additional Charcoal/Flavored Wood

1. Remove food from cooking grate.
2. While wearing protective gloves, remove the cooking grate.
3. Place additional briquettes without disturbing the hot coals.
4. Carefully replace cooking grate and food.

#### WARNING:

- Never add lighting fluid to hot or even warm coals as flashback may occur causing serious injury or damage to property.

#### CAUTION:

- Never use charcoal that has been pre-treated with lighter fluid. Use only a high grade plain charcoal, charcoal/wood mixture, lump charcoal or cooking wood.
- Open lid slowly as flare-up can occur when fresh air suddenly comes in contact with the fire.

## OPERATING INSTRUCTIONS

---

1. While wearing protective gloves, carefully remove the smoker lid. Make sure to open the lid away from you. This will allow the steam to escape away from you.
2. Using as smoker:
  - a. While wearing protective gloves, carefully open side access door. Make sure to open the door away from you. This will allow the steam to escape away from you.
  - b. While wearing protective gloves and using long cooking tongs, lightly brush off ashes from hot coals.
  - c. While wearing protective gloves and using long cooking tongs, carefully add more charcoal or flavoring wood onto charcoal grate, through the door.
  - d. Once the new charcoal or flavoring wood is burning strong, close the door and replace the lid on smoker.

Using as direct or indirect grill:

- a. While wearing protective gloves and using long cooking tongs, remove food and cooking grate.
- b. While wearing protective gloves and using long cooking tongs, lightly brush off ashes from hot coals.
- c. While wearing protective gloves and using long cooking tongs, carefully add more charcoal or flavoring wood onto charcoal grate.
- d. Once the new charcoal or flavoring wood is burning strong, replace the cooking grate, food, and lid on grill.

### Adding Additional Water

While using the smoker, check water level at least every 2 hours. If water is needed it can be added through top of the smoker or through the smoker side access door. See instructions below.

Note: Low water level can be detected by listening for the sound of water sizzling.

### Adding Water Option 1 - Through Top of Smoker

#### CAUTION:

- Open lid slowly as flare-up can occur when fresh air suddenly comes in contact with the fire.

1. While wearing protective gloves, carefully remove the smoker lid. Make sure to open the lid away from you. This will allow the steam to escape away from you.
2. Determine water level in water bowl:
  - a. If water is needed continue to step 3.
  - b. If water is not needed, replace lid on smoker.
3. Adding water while only using the upper cooking grate:
  - a. While wearing protective gloves and using long cooking tongs, slide food over to one side of cooking grate.
  - b. Carefully refill the water bowl to approximately 1 inch (2.54 cm) below the water bowl rim. (Figure 3, p. 15). Do not overfill water bowl.

#### CAUTION:

- Stand to side of smoker

## OPERATING INSTRUCTIONS

---

### Adding Water Option 1 - Through Top of Smoker (cont.)

- c. Move food back to the proper location.
- d. Replace lid on smoker.

Adding water while using the upper and lower cooking grate:

- a. While wearing protective gloves and using long cooking tongs, remove food and upper cooking grate.
- b. While wearing protective gloves and using long cooking tongs, slide food over to one side of lower cooking grate.
- c. Carefully refill the water bowl to approximately 1 inch (2.54 cm) below the water bowl rim. (Figure 3, p. 15). Do not overfill water bowl.

#### CAUTION:

- Stand to side of smoker and use extreme caution while pouring water as it may turn directly to steam.
  - d. Move food back to the proper location on lower cooking grate.
  - e. Replace upper cooking grate and food.
  - f. Replace lid on smoker.

### Adding Water Option 2 - Through Side of Smoker

#### CAUTION:

- Open lid slowly as flare-up can occur when fresh air suddenly comes in contact with the fire.
  1. While wearing protective gloves, carefully open the smoker side access door. Make sure to stand on the opposite side of door opening. This will allow the steam to escape away from you.
  2. Determine water level in water bowl:
    - a. If water is needed continue to step 3.
    - b. If water is not needed, close side access door on smoker.
  3. Using a funnel or a container with a spout, carefully refill the water bowl to approximately 1 inch (2.54 cm) below the water bowl rim. (Figure 3, p. 15). Do not overfill water bowl.

#### CAUTION:

- Stand to side of smoker and use extreme caution while pouring water as it may turn directly to steam.
  4. Close side door on smoker.

## OPERATING INSTRUCTIONS

---

### Controlling Flare-ups:

#### **WARNING:**

- Do not use water on a oil/grease fire. This can cause the grease to splatter and could result in serious burns, bodily harm or other damage.

#### **CAUTION:**

- Do not leave smoker unattended while preheating, cooling or burning off food residue. If smoker had not been cleaned, an oil/grease fire can occur that may damage the product.
- When cooling, fire extinguishing materials shall be readily accessible. In the event of an oil/grease fire, do not attempt to extinguish with water. Use type BC dry chemical fire extinguisher or smother with dirt, sand or baking soda.
- Flare-ups are a part of cooking meats on a smoker and add to the unique flavor of smoking.
- Excessive flare-ups can over-cook your food and cause a dangerous situation for you and your smoker.
- Excessive flare-ups result from the build-up of grease in the bottom of your smoker.
- If excessive flare-ups occur, DO NOT pour water onto the flames.
- If grease fire occurs, close the lid until the grease burns out. Use caution when opening the lid as sudden flare-ups may occur.

### Minimize Flare-ups:

1. Trim excess fat from meats prior to cooking.
2. Ensure that your smoker is on a hard, level, non-combustible surface.

### Tips for Better Cookouts and Longer Smoker Life

1. There is very little difference in temperature and cooking times between the upper and lower cooking grid. The food that requires the least amount of cooking time should be placed on the upper cooking grid.
2. To get the best results with your smoker, remember to keep the water bowl filled with water or other liquids, keep your charcoal hot and keep the lid closed. If using fruit juices or other marinade, consider lining the water bowl with tin foil to prevent scorching the water bowl during the cooking process.
3. To reduce flare-ups, keep smoker clean, use lean cuts of meat (or trim fat) and avoid cooking on very high temperatures.
4. Place delicate foods like fish and vegetables in aluminum foil pouches and indirect cook or place on upper cooking levels.
5. To avoid losing natural juices, use long handled tongs or spatulas instead of forks and turn foods over just once during cooking.
6. When indirect cooking roasts and larger cuts of meat, place meat onto a roasting rack inside a heavy gauge metal pan.
7. Allow smoker to fully cool after every use.
8. Clean cooking grates and racks after every use with a quality smoker brush designed for your grate material. Wear protective gloves and gently remove the build-up while grates are hot.
9. Then protect clean cooking grates with a light coat of cooking oil, clean out all ashes, wipe outside surfaces with a suitable kitchen cleaner and protect surfaces with a quality cover that properly fits your smoker.

## CARE AND MAINTENANCE

---

### CAUTION:

- Do not apply vegetable oil to charcoal grate or ash pan.
- All cleaning and maintenance should be done when smoker is cool (about 45 minutes) and with the fuel supply removed.
- DO NOT clean any smoker part in a self cleaning oven. The extreme heat will damage the finish.
- Do not leave smoker unattended while preheating, cooking or burning off food residue on high. If smoker has not been cleaned, a grease fire can occur that may damage the product.
- Do not remove the ashes until they are completely and fully extinguished.
- Always empty the ash pan and water bowl ONLY after the smoker has completely cooled.
- Do not allow water in water bowl to completely evaporate. Check water bowl at least every 2 hours and add water if level is low. Add water per “Adding Additional Water” section in this manual.
- Do not remove water from water bowl once food is removed. Allow smoker to cool and water to evaporate.
- Before smoker can be left unattended:
  - Smoker must be cool.
  - Remaining coals and ashes must be carefully removed and placed in a non-combustible metal container and saturated with water.
  - Allow saturated coals and ashes to remain in non-combustible container for 24 hours prior to properly disposing.
  - With a garden hose, completely wet the surface beneath and around smoker to extinguish any ashes, coals or embers which may have fallen during the cooking or cleaning process.
  - Extinguished coals and ashes should be placed a safe distance from all structures and combustible materials.

### Notices

1. Abrasive cleaners will damage this product.
2. Never use oven cleaner to clean any part of smoker.

### Cleaning Surfaces

1. Clean all surfaces with warm water and mild dish washing detergent or baking soda.
2. For stubborn surfaces, use a citrus-based degreaser and a nylon scrubbing brush.
3. Rinse clean with water and dry.

### Tips

1. Keep smoker covered when not in use to help prevent rust.
2. Applying a light coat of vegetable oil or vegetable oil spray to the interior surfaces of the smoker can help prevent rust.
  - a. Remove water bowl and charcoal grate from smoker.
  - b. Apply a light coat of vegetable oil or vegetable oil spray to all interior surfaces of smoker.

### CAUTION:

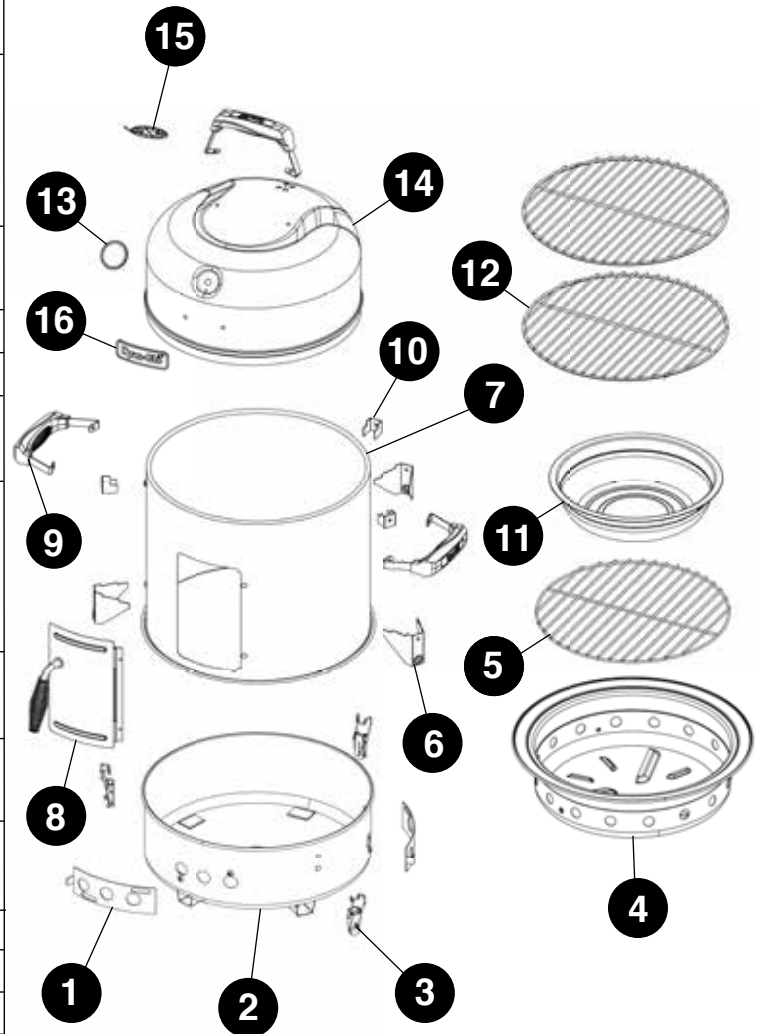
- Do not apply vegetable oil to charcoal grate or ash pan.

## REPLACEMENT PARTS LIST

For replacement parts, call our customer service department at 1-877-447-4768, 8:30 a.m. - 4:30 p.m. CST, Monday - Friday or e-mail us at customerservice@ghpgroupinc.com.

PART	DESCRIPTION	PART #
1	Lower Damper Plate (L/R)	70 - 01 - 407
2	Bottom Smoker Section Without Ash Pan	70 - 01 - 408 (Green) 70 - 01 - 479 (Black)
3	Smoker Body Latch (1pc)	70 - 01 - 409
4	Ash Pan	70 - 01 - 410
5	Charcoal Grate	70 - 01 - 411
6	Lower Support Brackets (1pc)	70 - 01 - 412
7	Middle Smoker Section w/o Access Door, Side Handles or Support Brackets	70 - 01 - 413 (Green) 70 - 01 - 480 (Black)
8	Access Door w/ Handle	70 - 01 - 414
9	Lid Handle & Left/ Right Side Handles	70 - 01 - 415
10	Upper Support Brackets (1pc)	70 - 01 - 416
11	Water Bowl	70 - 01 - 417
12	Cooking Grate	70 - 01 - 418
13	Temp Gauge w/ Nut	70 - 01 - 419
14	Lid Assembly without Damper Plate, Handle, Badge & Temp Gauge	70 - 01 - 420 (Green) 70 - 01 - 481 (Black)
15	Lid Damper Plate	70 - 01 - 421
16	Dyna-Glo Badge*	70 - 01 - 441
n/a	Hardware Pack	70 - 09 - 508
n/a	Instruction Manual	70 - 10 - 125

\*Includes Hardware



## WARRANTY

---

This Compact Vertical Charcoal Smoker & Grill is warranted against broken or damaged parts at the time of purchase. All parts carry a one (1) year limited warranty except the water bowl and wood chip box, which is warranted to be free of defects for 90 days. Paint is warranted to be free of defects for 90 days except for rust, which may appear after repeated use.

This warranty does not cover damage or issues related to neglect, abuse or modifications to the appliance. Repair labor is not covered.

All parts that meet the warranty requirements will be shipped at no charge via the discretion of GHP Group Inc. (ground shipments, US Mail or Parcel Post ONLY). Any special handling charges (i.e. Second Day, Overnight, etc.) will be the responsibility of the consumer.

All warranty claims apply only to the original purchaser and require a proof of purchase verifying purchase date. Do not return parts to GHP address without first obtaining a return authorization number from our customer service. This service is available by calling toll free 1-877-447-4768, 8:30 a.m. – 4:30 p.m. CST, Monday – Friday.

Some states do not allow the exclusion or limitation of incidental or consequential damages or limitations on how long an implied warranty lasts, so the above limitations or exclusions may not apply to you. This warranty gives you specific legal rights, and you may have other rights that vary from state to state.

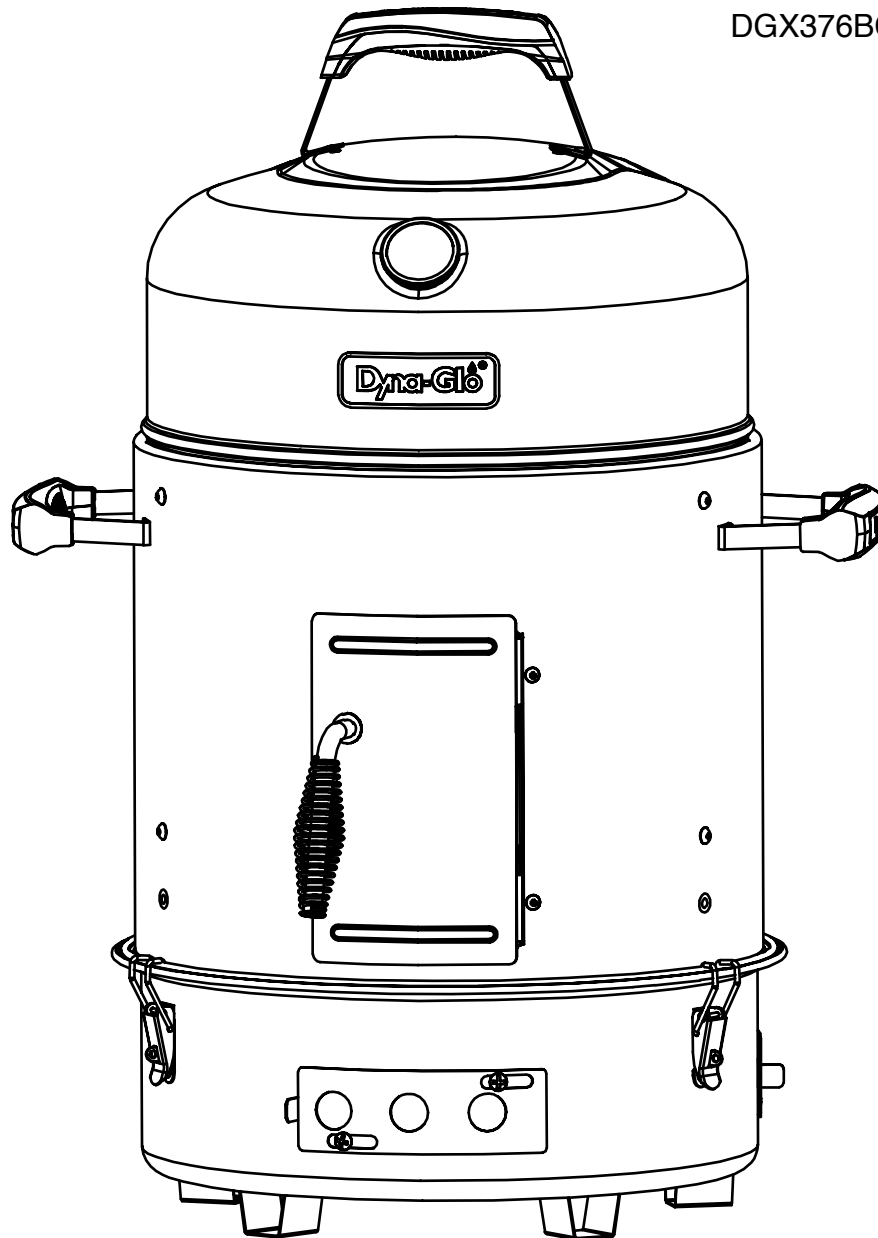
GHP Group Inc.  
6440 W. Howard Street  
Niles, IL, USA  
60714-3302

Item name: Compact Vertical Charcoal Smoker & Grill  
Model #: DGX376VCS / DGX376VCS-D / DGX376BCS / DGX376BCS-D

# Dyna-Glo®

## Fumoir et barbecue au charbon vertical compact

MODÈLE N° DGX376VCS/DGX376VCS-D/  
DGX376BCS/DGX376BCS-D



Conservez ces instructions en guise de référence ultérieure. Si vous assemblez cet appareil pour quelqu'un d'autre, donnez-lui ce guide afin qu'il le lise et le conserve comme référence ultérieure.

**AGRAFEZ VOTRE FACTURE ICI**

Numéro de série \_\_\_\_\_ Date d'achat \_\_\_\_\_



**Des questions, des problèmes, des pièces manquantes?** Avant de retourner chez votre détaillant, appelez notre service à la clientèle au 1 877 447-4768, entre 8 h 30 et 16 h 30 (HNC), du lundi au vendredi, ou écrivez à [customerservice@ghpgroupinc.com](mailto:customerservice@ghpgroupinc.com).





**NUL BESOIN DE RETOURNER AU MAGASIN**

Des questions concernant l'assemblage?  
Besoin de renseignements sur les pièces?  
Produit couvert par la garantie du fabricant?

Appelez sans frais au 1 877 447-4768  
entre 8 h 30 et 16 h 30 (HNC), du lundi au vendredi.

**Conservez le présent guide et la preuve d'achat à des fins de référence future.**

**Aidez-nous à vous aider**

**Veillez fournir les informations suivantes**

Date d'achat

Lieu d'achat

Numéro de modèle

Numéro de série  
du produit

**LE NUMÉRO DE MODÈLE ET LE NUMÉRO DE SÉRIE DU PRODUIT SE TROUVENT SUR  
L'ÉTIQUETTE SIGNALÉTIQUE DE VOTRE BARBECUE**

## TABLE DES MATIÈRES

Informations relatives à la sécurité .....	27
Contenu de l'emballage .....	30
Quincaillerie fournie .....	31
Préparation .....	31
Instructions d'assemblage .....	32
Instructions de fonctionnement .....	36
Première utilisation .....	36
Instructions d'allumage .....	37
Instructions de fumage .....	38
Instructions de cuisson .....	39
Ajouter du charbon/des copeaux de bois aromatisés supplémentaires .....	40
Ajouter de l'eau supplémentaire .....	41
Contrôler les flammes .....	43
Conseils .....	43
Entretien et maintenance .....	44
Liste des pièces de rechange .....	45
Garantie .....	46



### AVERTISSEMENT

**Pour utilisation extérieure uniquement (ne pas placer dans un espace fermé)**



### AVERTISSEMENT

- 1. Une installation, un ajustement, des modifications, des réparations ou un entretien inadéquats peuvent tous entraîner des blessures ou causer des bris matériels.**
- 2. Lisez les instructions d'installation, d'utilisation et d'entretien attentivement avant d'installer ou d'entretenir ce produit.**
- 3. Le non-respect de ces instructions pourrait causer un incendie ou une explosion, ce qui pourrait entraîner des bris matériels, des blessures corporelles, et même la mort.**
- 4. Ce guide d'instruction contient des informations importantes nécessaires au bon assemblage et à l'utilisation sécuritaire de l'appareil.**
- 5. Veuillez lire et suivre tous les avertissements et toutes les instructions avant d'assembler et d'utiliser l'appareil.**
- 6. Veuillez suivre tous les avertissements et toutes les instructions avant d'utiliser l'appareil.**
- 7. Conservez le présent guide à des fins de référence future.**



### DANGER

**Ne laissez jamais l'appareil sans surveillance quand vous l'utilisez.**



### AVERTISSEMENT

**N'entreposez pas et n'utilisez pas d'essence ou d'autres liquides ou vapeurs inflammables à proximité de cet appareil, ou de tout autre appareil.**

## INFORMATIONS RELATIVES À LA SÉCURITÉ

---

Veillez lire et comprendre le présent guide avant de tenter d'assembler, d'utiliser ou d'installer le produit. Si vous avez des questions concernant le produit, appelez notre service à la clientèle au 1 877 447-4768, entre 8 h 30 et 16 h 30 (HNC), du lundi au vendredi.

### AVERTISSEMENTS ET MISES EN GARDE :

- Ce fumoir est uniquement destiné à un usage extérieur et ne doit pas être utilisé dans un bâtiment, un garage ou tout autre espace fermé.
- Ce fumoir est destiné à un usage domestique uniquement. Il n'est PAS destiné à un usage commercial.
- N'utilisez jamais de charbon prétraité avec de l'essence à briquet. Utilisez uniquement du charbon, un mélange de charbon et de bois, du charbon de bois en blocs ou du bois de cuisson naturels de haute qualité. La tentative d'utilisation d'une autre source de combustible, de même que la conversion de ce fumoir à une autre source de combustible, peut être dangereuse et annulera votre garantie.
- Ce fumoir ne doit jamais être utilisé comme moyen de chauffage. Des émanations TOXIQUES pourraient s'accumuler et causer l'asphyxie.
- N'utilisez **PAS** le fumoir pour la cuisson à l'intérieur. Des émanations de monoxyde de carbone toxiques pourraient s'accumuler et causer l'asphyxie.
- N'utilisez et n'allumez **PAS** cet appareil à moins de 3,05 m (10 pi) d'un mur, d'une structure ou d'un bâtiment. N'utilisez pas cet appareil sous un toit ou une structure similaire.
- Résidents d'appartement : Vérifiez auprès du gestionnaire quels sont les exigences et les codes de prévention des incendies liés à l'utilisation d'un fumoir dans votre immeuble. Si vous avez le droit, utilisez l'appareil sur le sol à l'extérieur et assurez-vous qu'il y a un dégagement de 3,05 m (10 pi) entre lui et toute autre structure. N'utilisez pas l'appareil sur un balcon ou en dessous.
- N'utilisez **PAS** d'essence, de kérosène ou d'alcool pour allumer l'appareil.
- N'utilisez **PAS** cet appareil dans une atmosphère explosive. Assurez-vous que l'espace autour du fumoir est dégagé et ne contient pas de matériaux combustibles, d'essence ou d'autres liquides ou vapeurs inflammables.
- N'entreposez et n'utilisez **PAS** d'essence ou d'autres liquides ou vapeurs inflammables à moins de 7,62 m (25 pi) de cet appareil.
- Ne modifiez **PAS** le fumoir de quelque manière que ce soit. Toute modification annulera votre garantie.
- N'utilisez **PAS** le fumoir avant qu'il ne soit COMPLÈTEMENT assemblé et que toutes ses pièces soient fixées et serrées de façon sécuritaire.
- Ce fumoir doit être nettoyé et inspecté régulièrement avec minutie. Si le fumoir n'est pas nettoyé, un feu de graisse pourrait survenir et endommager l'appareil.
- Utilisez uniquement les pièces d'origine autorisées par le fabricant. L'utilisation de pièces qui ne sont pas d'origine et autorisées peut être dangereuse et annulera votre garantie.
- N'utilisez **PAS** cet appareil sans avoir lu les « Instructions de fonctionnement » de ce guide.
- Ne touchez **PAS** les pièces en métal du fumoir avant qu'il n'ait complètement refroidi (après environ 45 minutes) afin d'éviter les brûlures, à moins que vous ne portiez une protection (poignées, gants, mitaines de BBQ, etc.).
- Ne touchez jamais les grilles (grille à charbon ou grilles de cuisson), les cendres ou les charbons pour savoir s'ils sont chauds.
- N'utilisez **PAS** l'appareil sur une terrasse en bois, sur du mobilier en bois ou sur d'autres types de surfaces inflammables.
- Placez toujours votre fumoir sur une surface plane, dure et incombustible. L'appareil ne peut être utilisé sur une surface asphaltée ou un revêtement hydrocarburé.
- N'utilisez et n'installez **PAS** l'appareil sur un bateau ou dans un véhicule récréatif.
- Placez le fumoir de sorte que le vent ne transporte pas les cendres sur des surfaces inflammables.
- N'utilisez **PAS** l'appareil lorsqu'il y a de grands vents.
- Ne vous penchez jamais au-dessus du fumoir quand vous l'allumez.
- Ne laissez **PAS** le fumoir sans surveillance pendant qu'il est allumé. Assurez-vous que les enfants et les animaux ne sont jamais près du fumoir.
- N'essayez **PAS** de déplacer le fumoir pendant qu'il est en fonction. Laissez-le refroidir (pendant environ 45 minutes) avant de le déplacer ou de le ranger.

## INFORMATIONS RELATIVES À LA SÉCURITÉ

---

- Vous devriez avoir à portée de main le nécessaire pour l'extinction des incendies quand vous cuisinez. Si le feu prend dans l'huile ou le gras, ne tentez pas de l'éteindre avec de l'eau. Utilisez un extincteur à poudre sèche de type BC ou étouffez le feu avec de la terre, du sable ou du bicarbonate de soude.
- Ouvrez toujours le couvercle du fumoir prudemment et lentement, puisque la chaleur et la vapeur emprisonnées à l'intérieur pourraient vous causer de sérieuses brûlures.
- Ne laissez **PAS** le fumoir sans surveillance pendant qu'il préchauffe ou que vous faites brûler des résidus alimentaires à haute température. Si le fumoir n'est pas nettoyé, un feu de graisse pourrait survenir et endommager l'appareil.
- Ne placez **PAS** de récipients de cuisson sur l'appareil pendant qu'il est en fonction.
- Faites preuve de prudence lorsque vous déposez quelque chose sous ou dans le fumoir en fonction. Utilisez des mitaines de four ou des gants pour vous protéger les mains et évitez de toucher les surfaces brûlantes.
- N'ajoutez jamais d'allume-feu liquide sur les charbons ardents ou même chauds, car cela pourrait provoquer un retour de flamme entraînant des blessures graves ou des bris matériels.
- Mettez toujours des gants de protection lorsque vous ajoutez des combustibles (briquettes de charbon, bois ou charbon de bois en blocs) pour conserver la température désirée.
- Ne retirez **PAS** les cendres tant qu'elles ne sont pas complètement éteintes. Les briquettes et les charbons ardents peuvent provoquer un incendie.
- Videz toujours le cendrier et le fumoir après chaque utilisation.
- Ne placez **PAS** les combustibles (briquettes de charbon, bois ou charbon de bois en blocs) directement au fond du fumoir. Placez-les uniquement sur la grille à charbon (pièce n° 5, page 31).
- Ne laissez **PAS** le charbon toucher aux parois du fumoir. La durée de vie du métal et du fini de votre fumoir s'en trouverait ainsi considérablement réduite.
- Vérifiez que les entrées d'air de l'appareil sont exemptes de débris et de cendres avant de l'utiliser.
- Assurez-vous que la grille à charbon est bien fixée avant d'utiliser le fumoir.
- Ne déplacez **PAS** le fumoir pendant que le réservoir d'eau contient du liquide.
- Utilisez toujours le réservoir d'eau et le cendrier conçus spécifiquement pour ce fumoir lorsque vous l'utilisez.
- Utilisez uniquement les pièces de rechange autorisées fournies par le fabricant.
- Laissez toujours une mince couche d'eau dans le cendrier afin d'éteindre les cendres et les braises qui y tombent.
- Assurez-vous que l'eau contenue dans le réservoir ne s'évapore pas complètement pendant que le fumoir est en fonction. Vérifiez le réservoir au moins toutes les 2 heures et ajoutez de l'eau si le niveau est bas. Ajoutez de l'eau conformément aux instructions données dans la section « Ajouter de l'eau supplémentaire » de ce guide (pages 42 et 43).
- Ne videz **PAS** l'eau du réservoir quand vous enlevez la nourriture. Attendez que le fumoir refroidisse et que l'eau s'évapore.
- Une fois la cuisson terminée, ces critères doivent être respectés avant de pouvoir laisser le fumoir sans surveillance :
  - L'appareil doit avoir refroidi.
  - Les cendres et les charbons restants doivent être retirés avec précaution et placés dans un contenant en métal incombustible, puis imbibés d'eau.
  - Laissez les cendres et les charbons imbibés d'eau dans le contenant incombustible pendant 24 heures avant de les jeter.
  - À l'aide d'un tuyau d'arrosage, arrosez toute la surface en dessous et autour du fumoir afin d'éteindre les cendres, les braises ou les charbons qui auraient pu tomber pendant la cuisson ou le processus de nettoyage.
  - Les cendres et les charbons éteints devraient être placés à une distance sécuritaire de toute structure et de tout matériau combustible.
  - Assurez-vous que tous les cordons sont éloignés du fumoir lorsqu'il est chaud.

## INFORMATIONS RELATIVES À LA SÉCURITÉ

---

- Utilisez toujours un thermomètre à viande pour vous assurer que la nourriture a atteint la bonne température de cuisson.
- Ne couvrez jamais complètement la surface de cuisson avec du papier d'aluminium.
- Portez des gants de protection lorsque vous assemblez ce produit.
- Ne forcez pas pour assembler les pièces, car cela pourrait entraîner des blessures corporelles ou endommager le produit.
- Faites preuve de prudence lorsque vous soulevez ou déplacez le fumoir qui a refroidi, afin d'éviter les douleurs et les blessures au dos.
- Le non-respect des instructions ci-dessus pourrait entraîner des dommages matériels, de graves blessures ou la mort.

### PROPOSITION 65 DE L'ÉTAT DE LA CALIFORNIE :

- Les sous-produits de combustion générés lors de l'utilisation de cet appareil contiennent des substances chimiques reconnues par l'État de la Californie comme causant le cancer, des malformations congénitales ou d'autres problèmes de reproduction.
- Lavez-vous les mains après avoir manipulé l'appareil.

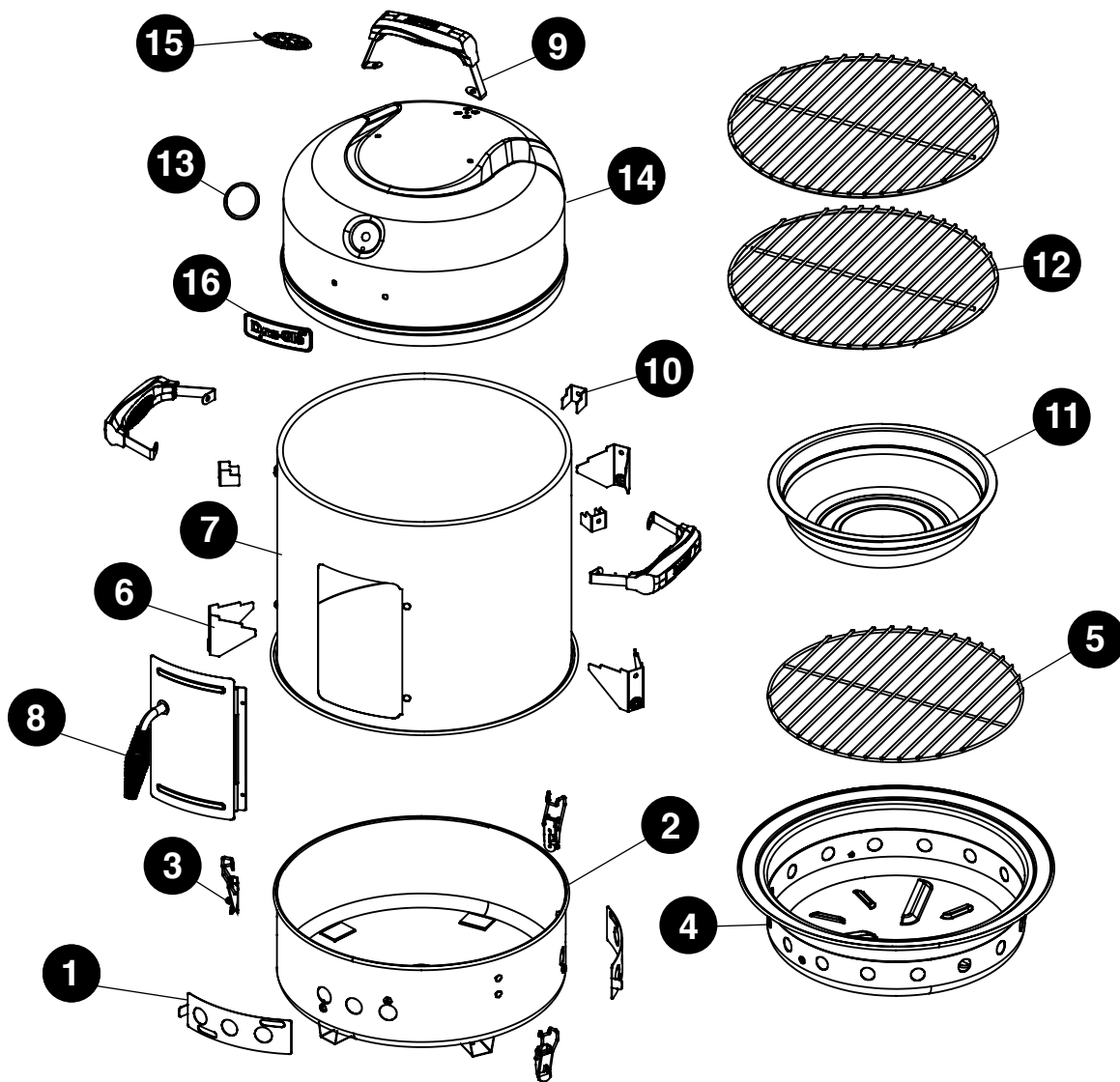


## AVERTISSEMENT

### AVERTISSEMENT : MONOXYDE DE CARBONE

- La combustion des copeaux de bois dégage du monoxyde de carbone inodore qui peut causer la mort.
- Ne brûlez **PAS** de copeaux de bois à l'intérieur d'une maison, d'un véhicule, d'une tente, d'un garage ou de tout autre espace fermé.
- Utilisez cet appareil uniquement à l'extérieur dans un espace bien ventilé.

## CONTENU DE L'EMBALLAGE



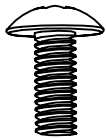
PIÈCE	DESCRIPTION	QUANTITÉ
1	Registre inférieur (gauche et droit)	2
2	Section inférieure du fumoir	1
3	Loquet du bâti du fumoir	3
4	Cendrier	1
5	Grille à charbon	1
6	Supports inférieurs	3
7	Section centrale du fumoir	1
8	Assemblage de la porte d'accès	1

PIÈCE	DESCRIPTION	QUANTITÉ
9	Poignée du couvercle et poignées latérales	3
10	Supports supérieurs	3
11	Réservoir d'eau	1
12	Grille de cuisson	2
13	Jauge de température avec écrou	1
14	Assemblage du couvercle	1
15	Registre du couvercle	1
16	Insigne Dyna-Glo	1

## QUINCAILLERIE FOURNIE

---

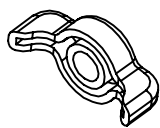
**A**



Vis  
M4 x 15 mm

Qté 9

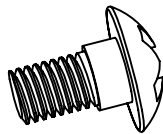
**B**



Écrou à  
oreilles M4

Qté 9

**C**



Vis à épaulement  
M5 x 12 mm

Qté 4

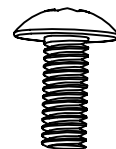
**D**



Écrou à  
oreilles M5

Qté 18

**E**



Vis  
M5 x 12 mm

Qté 12

## PRÉPARATION

---

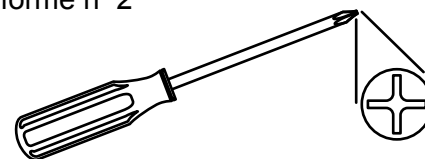
Avant de commencer l'assemblage du produit, assurez-vous que toutes les pièces sont présentes. Comparez les pièces à la liste de contenu de l'emballage et de quincaillerie fournie. Si des pièces sont manquantes ou endommagées, ne tentez pas d'assembler le produit.

Pour faciliter l'assemblage :

- Afin d'éviter de perdre les petites pièces ou la quincaillerie, assemblez votre produit sur une surface plane et dure qui n'a pas de fentes ou d'ouvertures.
- Dégagez une surface suffisamment grande pour étaler toutes les pièces et la quincaillerie.
- Serrez d'abord toutes les pièces de quincaillerie à la main, s'il y a lieu. Une fois cette étape effectuée, serrez de nouveau chaque pièce, au maximum cette fois-ci.
- Suivez toutes les étapes en ordre, afin d'assembler votre produit correctement.

**Temps d'assemblage estimé : 30 minutes**

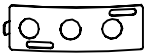
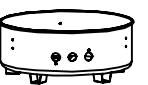
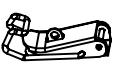
Outils nécessaires pour l'assemblage (non compris) : Tournevis à tête cruciforme n° 2







## INSTRUCTIONS D'ASSEMBLAGE

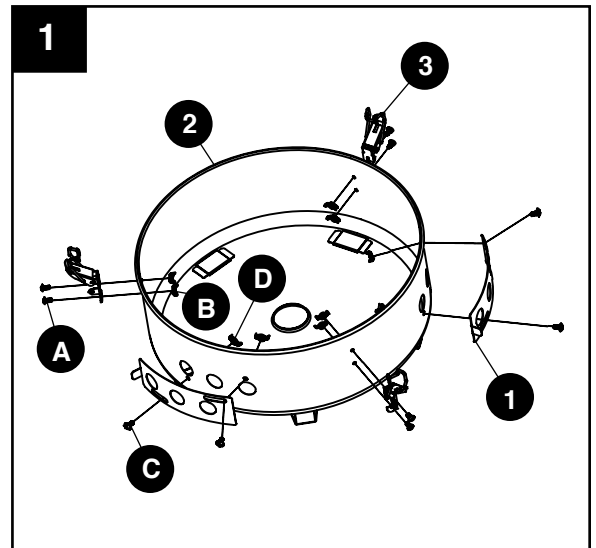
### Étape 1

#### Pièces utilisées

<b>1</b>	Registre latéral		x 2
<b>2</b>	Section inférieure du fumoir		x 1
<b>3</b>	Loquet du bâti du fumoir		x 3

#### Matériel utilisé

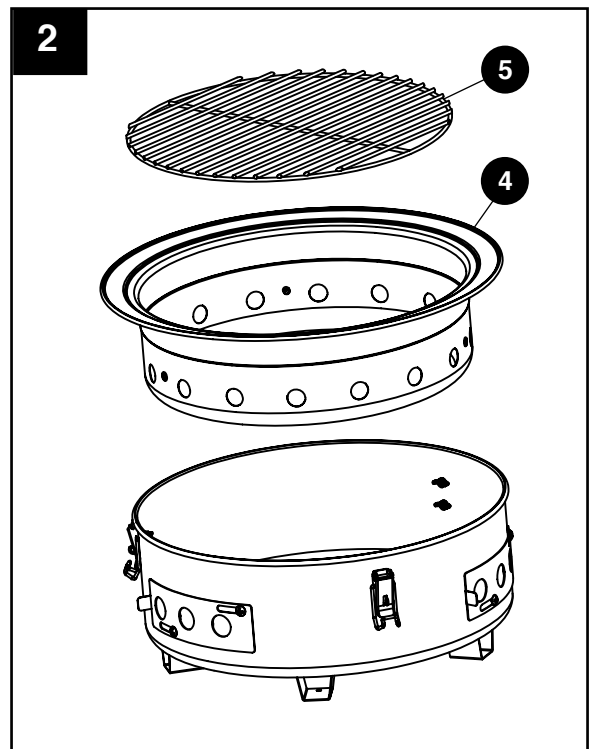
<b>A</b>	Vis M4 x 15 mm		x 6
<b>B</b>	Écrou à oreilles M4		x 6
<b>C</b>	Vis à épaulement M5 x 12 mm		x 4
<b>D</b>	Écrou à oreilles M5		x 4



### Étape 2

#### Pièces utilisées

<b>4</b>	Cendrier	x 1
<b>5</b>	Grille à charbon	x 1









## INSTRUCTIONS D'ASSEMBLAGE

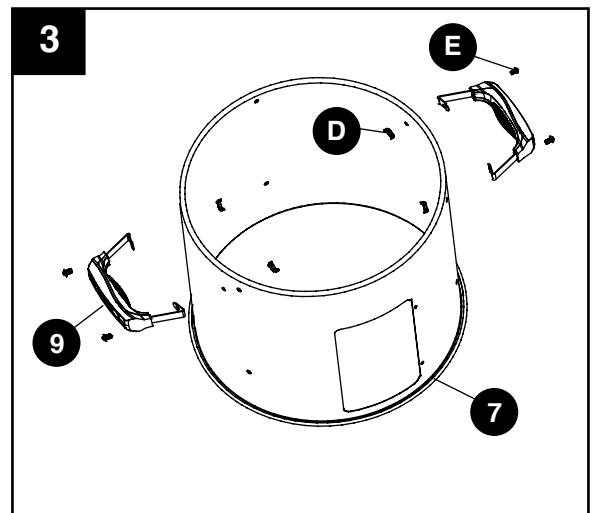
### Étape 3

#### Pièces utilisées

<b>7</b>	Section centrale du fumoir		x 1
<b>9</b>	Poignées latérales		x 2


#### Matériel utilisé

<b>E</b>	Vis M5 x 12 mm		x 4
<b>D</b>	Écrou à oreilles M5		x 4





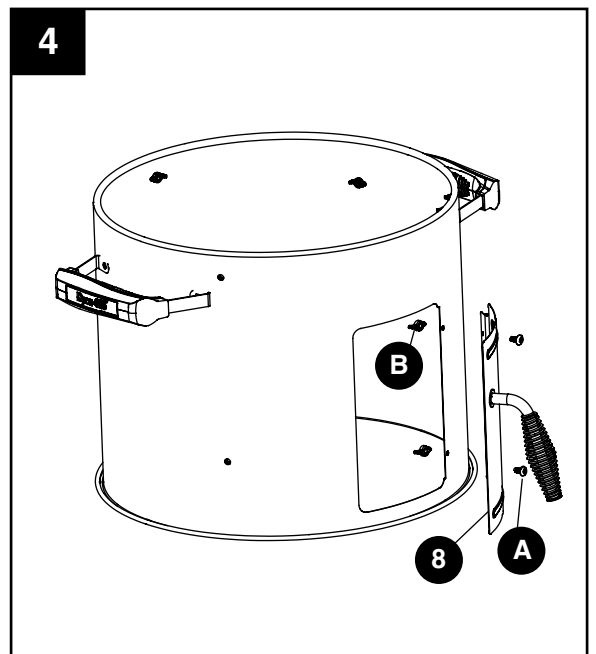
### Étape 4

#### Pièces utilisées

<b>8</b>	Assemblage de la porte d'accès		x 1
----------	--------------------------------	---	-----

#### Matériel utilisé

<b>A</b>	Vis M4 x 15 mm		x 2
<b>B</b>	Écrou à oreilles M4		x 2





## INSTRUCTIONS D'ASSEMBLAGE

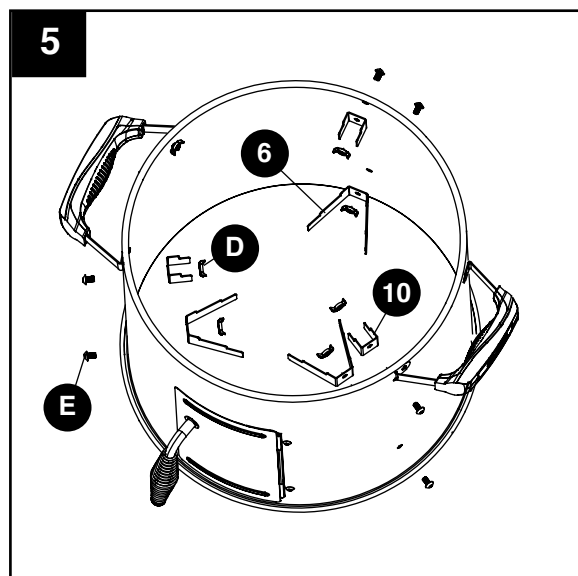
### Étape 5

#### Pièces utilisées

<b>6</b>	Supports inférieurs		x 3
<b>10</b>	Supports supérieurs		x 3

#### Matériel utilisé

<b>E</b>	Vis M5 x 12 mm		x 6
<b>D</b>	Écrou à oreilles M5		x 6



### Étape 6

Placez le bâti du fumoir sur la base.

#### Comment verrouiller la base du fumoir :

Soulevez le loquet vers le haut jusqu'à ce qu'il puisse être accroché au rebord du bâti du fumoir. Voir figure 1a.

#### Comment déverrouiller la base du fumoir :

Soulevez le loquet vers le haut jusqu'à ce qu'il puisse être décroché du rebord du bâti du fumoir. Voir figure 1b.

#### ⚠ MISE EN GARDE :

- Le transport et l'entreposage du fumoir doivent être effectués lorsqu'il est froid et que les combustibles ont été retirés.
- Verrouillez toujours la base du fumoir avant de le transporter.

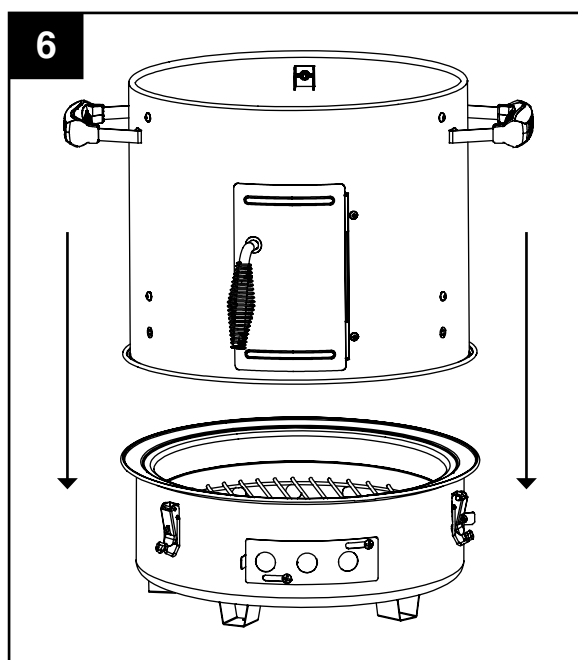


Fig. 1a

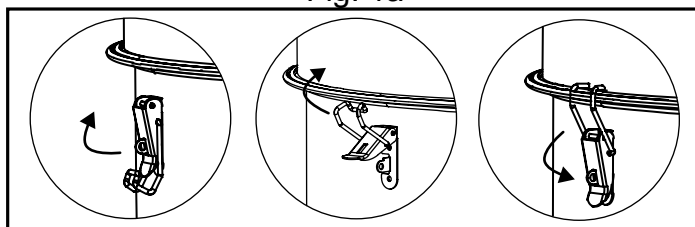
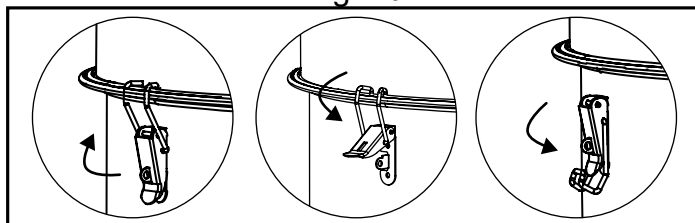





Fig. 1b







## INSTRUCTIONS D'ASSEMBLAGE

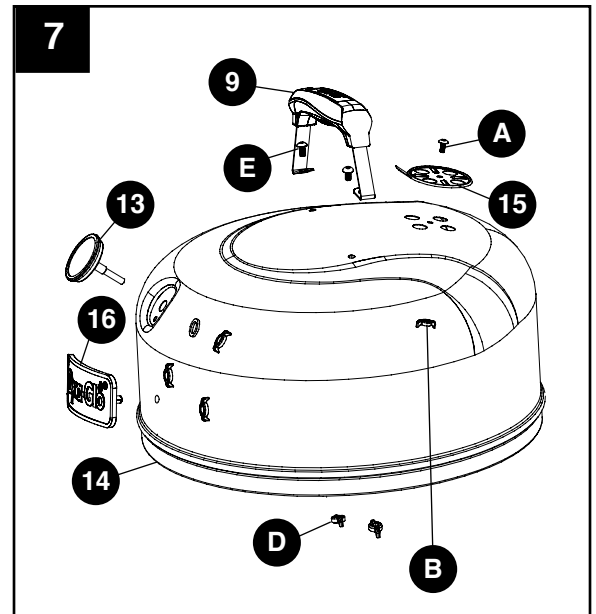
### Étape 7

#### Pièces utilisées

<b>13</b>	Jauge de température avec écrou		x 1
<b>14</b>	Assemblage du couvercle		x 1
<b>15</b>	Registre du couvercle		x 1
<b>9</b>	Poignée du couvercle		x 1
<b>16</b>	Insigne Dyna-Glo		x 1



#### Matériel utilisé

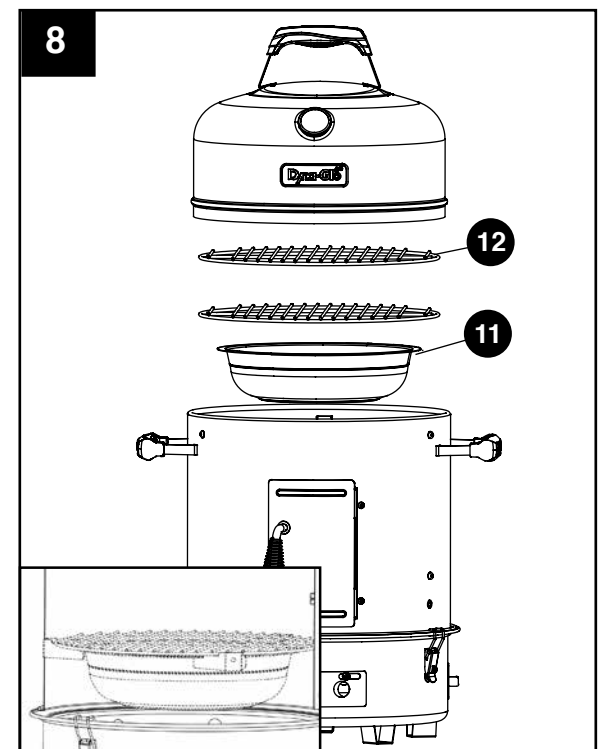
<b>A</b>	Vis M4 x 15 mm		x 1
<b>B</b>	Écrou à oreilles M4		x 1
<b>E</b>	Vis M5 x 12 mm		x 2
<b>D</b>	Écrou à oreilles M5		x 4



### Étape 8

#### Pièces utilisées

<b>11</b>	Réservoir d'eau		x 1
<b>12</b>	Grille de cuisson		x 2



## INSTRUCTIONS DE FONCTIONNEMENT

---

Cet appareil est conçu pour fonctionner avec des briquettes de charbon, du charbon de bois en blocs et du bois de cuisson de qualité.



### **MISE EN GARDE :**

- N'utilisez jamais de charbon prétraité avec de l'essence à briquet. Utilisez uniquement du charbon, un mélange de charbon et de bois, du charbon de bois en blocs ou du bois de cuisson naturels de haute qualité.
- Placez toujours votre fumoir sur une surface plane, dure et incombustible. L'appareil ne peut être utilisé sur une surface asphaltée ou un revêtement hydrocarburé.
- N'utilisez pas l'appareil sur une terrasse en bois, sur du mobilier en bois ou sur d'autres types de surfaces inflammables.
- Placez le fumoir de sorte que le vent ne transporte pas les cendres sur des surfaces inflammables.
- Placez le fumoir pour que la fumée n'entre pas chez vous par les fenêtres et les portes ouvertes.
- N'utilisez pas l'appareil lorsqu'il y a de grands vents.

### **Première utilisation**

1. Assurez-vous que toutes les étiquettes ainsi que tous les emballages et les films protecteurs ont été retirés du fumoir.
2. Comment retirer les huiles de fabrication avant de cuisiner avec ce fumoir pour la première fois :
  - a. Allumez le fumoir conformément à la section « Instructions d'allumage » de ce guide.
  - b. Faites fonctionner le fumoir avec le couvercle fermé pendant au moins 2 heures, ce qui nettoiera les pièces internes par la chaleur et éliminera les odeurs.
  - c. Ne touchez pas l'extérieur du fumoir et n'ouvrez pas son couvercle pendant cette étape.
  - d. Après 2 heures, suivez les consignes des sections « Instructions de fumage » ou « Instructions de cuisson » de ce guide.
3. Comment appliquer une couche protectrice :
  - a. Retirez le réservoir d'eau et la grille à charbon du fumoir.
  - b. Enduisez ou vaporisez légèrement toutes les surfaces intérieures du fumoir avec de l'huile végétale.



### **MISE EN GARDE :**

- N'appliquez pas d'huile végétale sur la grille à charbon ou le cendrier.

## INSTRUCTIONS DE FONCTIONNEMENT

---

### Instructions d'allumage

#### MISE EN GARDE

- N'appliquez pas d'huile végétale sur la grille à charbon ou le cendrier.
- Vérifiez que les entrées d'air de l'appareil sont exemptes de débris et de cendres avant de l'utiliser.
- Avant chaque utilisation, vérifiez que le fumoir n'a subi aucun dommage et qu'aucune pièce n'est desserrée. Resserrez les pièces desserrées et remplacez les pièces endommagées avant d'utiliser le fumoir.
- Assurez-vous que le cendrier est vide et bien fixé avant d'utiliser le fumoir.

1. Retirez le couvercle, les grilles de cuisson et le réservoir d'eau et mettez-les de côté.
2. Assurez-vous que le cendrier est vide et bien fixé.
3. Pour le fumage ou la cuisson, commencez par utiliser environ 30 briquettes de charbon standards (0,7 kg [1,6 lb]). Si vous cuisinez par temps froid, une plus grande quantité de charbon peut être nécessaire. **NE DÉPASSEZ PAS LE REBORD DU CENDRIER.** (Figure 1, page 39)
4. Allumez le combustible conformément aux instructions fournies sur l'emballage.
5. **CONSEIL : Les copeaux de bois peuvent être utilisés avec du charbon pendant le processus de cuisson. Avant d'ajouter les copeaux de bois, laissez le charbon brûler jusqu'à ce qu'il soit recouvert d'une mince couche de cendres.** Pour ajouter des copeaux de bois avant la cuisson, enveloppez la quantité de copeaux de bois souhaitée dans du papier d'aluminium, puis placez-les directement sur le charbon. Percez des trous sur le dessus de l'emballage en aluminium afin de permettre à la fumée de s'échapper. Les copeaux de bois peuvent également être placés directement sur le charbon sans être enveloppés de papier d'aluminium, mais ils ne doivent pas dépasser la hauteur du cendrier. Le dessous du réservoir d'eau ne doit pas être en contact avec les copeaux de bois ou le charbon pendant l'utilisation. Si le niveau du combustible est trop élevé, retirez le réservoir d'eau avec des gants résistants à la chaleur et, à l'aide de pinces en métal, répartissez le combustible uniformément dans le cendrier. La quantité et l'essence de bois à utiliser dépendent entièrement de la concentration de saveur désirée. Suivez toujours les instructions fournies sur l'emballage de copeaux de bois aromatisés avant de les utiliser.

#### MISE EN GARDE

- Lorsque vous utilisez un allume-feu liquide, vérifiez toujours le cendrier avant d'allumer. Le liquide peut s'accumuler dans le cendrier et pourrait s'enflammer et provoquer un feu sous celui-ci.
- N'ajoutez jamais d'allume-feu liquide sur les charbons ardents ou même chauds, car cela pourrait provoquer un retour de flamme entraînant des blessures graves ou des bris matériels.

## INSTRUCTIONS DE FONCTIONNEMENT

- N'ajoutez jamais d'allume-feu liquide sur les charbons ardents ou même chauds, car cela pourrait provoquer un retour de flamme entraînant des blessures graves ou des bris matériels.

### Instructions de fumage

1. Placez des briquettes de charbon ou un autre combustible solide sur la grille à charbon (figure 1) et allumez le combustible conformément à la section « Instructions d'allumage » de ce guide.
2. En portant des gants résistants à la chaleur, placez prudemment le réservoir d'eau sur les supports inférieurs (figure 2).
3. En portant des gants résistants à la chaleur, remplissez prudemment le réservoir d'eau à environ 2,54 cm (1 po) du rebord (figure 3). **Ne dépassez pas la ligne de remplissage maximal.**  
Remarque : Le réservoir d'eau peut contenir jusqu'à 2 pintes de liquide, quantité qui s'évapore au bout d'environ 2 à 3 heures d'utilisation du fumoir.
4. En portant des gants résistants à la chaleur, retirez prudemment le couvercle du fumoir. Veillez à ouvrir le couvercle loin de vous. De cette façon, la vapeur ne s'échappera pas sur vous.
5. En portant des gants résistants à la chaleur, placez prudemment la grille de cuisson sur les supports inférieurs (figure 4).
6. En portant des gants résistants à la chaleur, placez prudemment la nourriture sur la grille de cuisson inférieure, sans superposer les aliments et en les espaçant également.
7. En portant des gants résistants à la chaleur, placez prudemment la deuxième grille de cuisson sur les supports supérieurs (figure 4).
8. En portant des gants résistants à la chaleur, placez prudemment la nourriture sur la grille de cuisson supérieure, sans superposer les aliments et en les espaçant également.
9. En portant des gants résistants à la chaleur, placez prudemment le couvercle sur le fumoir.
10. Vérifiez le niveau d'eau conformément aux instructions données dans la section « Ajouter de l'eau supplémentaire » et le niveau de charbon dans la section « Ajouter du charbon/des copeaux de bois aromatisés supplémentaires » de ce guide.

### ⚠ MISE EN GARDE :

- Utilisez toujours un thermomètre à viande pour vous assurer que la nourriture a atteint la bonne température de cuisson.

Figure 1

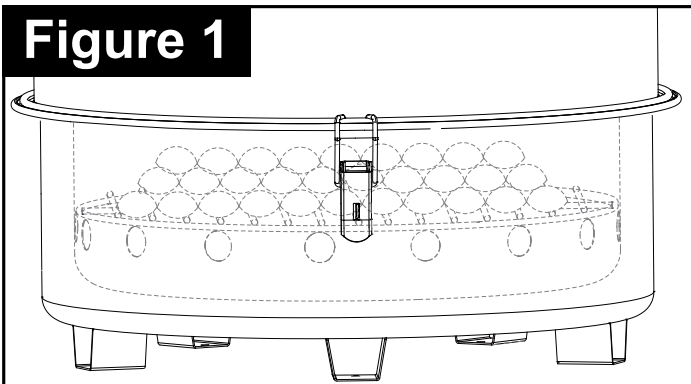


Figure 2

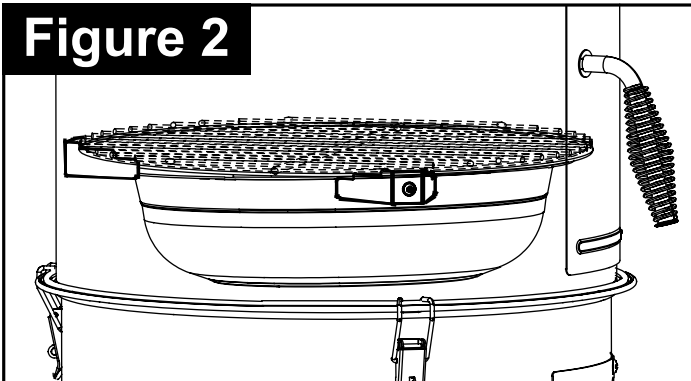


Figure 3

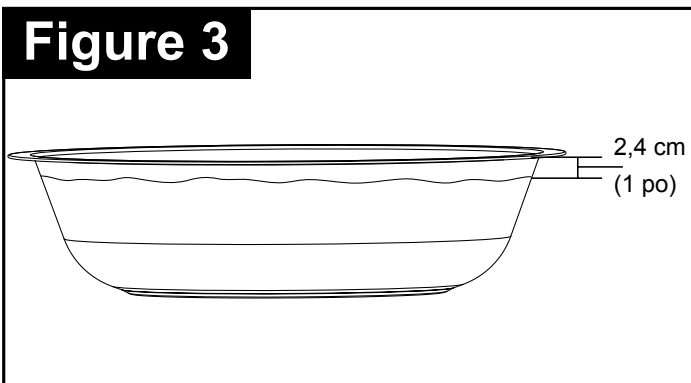
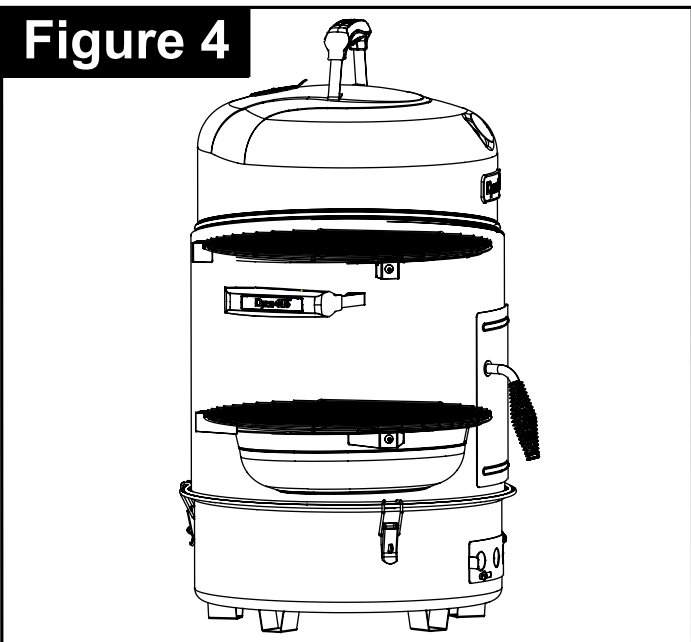


Figure 4



## INSTRUCTIONS DE FONCTIONNEMENT

---

### Instructions de cuisson

#### Option 1 – barbecue : cuisson directe

#### MISE EN GARDE

• Vérifiez toujours que l'appareil est exempt de débris et de cendres avant de l'utiliser. Utilisez toujours un thermomètre à viande pour vous assurer que la nourriture a atteint la bonne température de cuisson.

Cuisiner directement au-dessus des charbons ardents est idéal pour saisir et faire griller de la nourriture nécessitant moins de 25 minutes de cuisson, comme les steaks, les hamburgers, les hot dogs, le poulet, les légumes et les fruits.

1. Retirez le couvercle, les grilles de cuisson et le réservoir d'eau et mettez-les de côté.
2. Déverrouillez et retirez le bâti du fumoir et mettez-le de côté.
3. Assurez-vous que le cendrier est vide et bien fixé.
4. Commencez par utiliser environ 30 briquettes de charbon standards (0,7 kg [1,6 lb]). Si vous cuisinez par temps froid, une plus grande quantité de charbon peut être nécessaire. **NE DÉPASSEZ PAS LE REBORD DU CENDRIER.** (Figure 1, page 39)
5. Allumez le combustible conformément aux instructions fournies sur l'emballage. Ne remettez pas le couvercle.
6. Laissez le combustible brûler jusqu'à ce que les charbons soient ardents avant la cuisson.
7. En portant des gants de protection, retirez prudemment le couvercle du fumoir. Veillez à ouvrir le couvercle loin de vous. De cette façon, la vapeur ne s'échappera pas sur vous.
8. En portant des gants de protection, répartissez prudemment les charbons ardents de façon uniforme autour de la grille à charbon à l'aide de longues pinces.
9. En portant des gants de protection, placez la grille de cuisson sur les supports inférieurs, placez le couvercle, puis laissez préchauffer la grille.
10. En portant des gants de protection, ouvrez le couvercle et placez la nourriture sur la grille de cuisson au-dessus des charbons ardents à l'aide de longues pinces.
11. Laissez le charbon brûler en refermant le couvercle, la porte d'accès latérale et tous les registres. Sauf en cas d'urgence, ne versez PAS d'eau sur les charbons ardents.

#### AVERTISSEMENT :

• N'ajoutez jamais d'allume-feu liquide sur les charbons ardents ou même chauds, car cela pourrait provoquer un retour de flamme entraînant des blessures graves ou des bris matériels.

#### MISE EN GARDE :

• Lorsque vous utilisez un allume-feu liquide, vérifiez toujours le cendrier avant d'allumer. Le liquide peut s'accumuler dans le cendrier et pourrait s'enflammer et provoquer un feu sous celui-ci.

## INSTRUCTIONS DE FONCTIONNEMENT

---

### Option 2 – barbecue : cuisson indirecte

#### MISE EN GARDE :

- Vérifiez que l'appareil est exempt de débris et de cendres avant de l'utiliser.

Ne pas cuisiner directement au-dessus des charbons ardents est idéal pour la cuisson lente et les grillades nécessitant plus de 25 minutes, comme la plupart des rôtis, les longes, les côtelettes, les poulets entiers, la dinde, le poisson et les produits de boulangerie.

1. Retirez le couvercle, les grilles de cuisson et le réservoir d'eau et mettez-les de côté.
2. Déverrouillez et retirez le bâti du fumoir et mettez-le de côté.
3. Assurez-vous que le cendrier est vide et bien fixé.
4. Placez les briquettes de charbon ou les copeaux de bois à gauche ou à droite de la grille à charbon.
5. Allumez le combustible conformément aux instructions fournies sur l'emballage. Ne remettez pas le couvercle.
6. Laissez le combustible brûler jusqu'à ce que les charbons soient ardents avant la cuisson.
7. En portant des gants de protection, retirez prudemment le couvercle du fumoir. Veillez à ouvrir le couvercle loin de vous. De cette façon, la vapeur ne s'échappera pas sur vous.
8. En portant des gants de protection, répartissez prudemment les charbons ardents autour de la grille à charbon à l'aide de longues pinces.
9. En portant des gants de protection, placez la grille de cuisson sur les supports inférieurs, placez le couvercle, puis laissez préchauffer la grille.
10. En portant des gants de protection, ouvrez le couvercle et placez la nourriture sur la grille de cuisson à l'aide de longues pinces. Pour des résultats optimaux, ne placez pas la nourriture directement au-dessus des briquettes ou des copeaux de bois aromatisés.
11. En laissant le couvercle ouvert ou fermé, faites cuire la nourriture jusqu'à ce que la température interne désirée soit atteinte.
12. Laissez le charbon brûler en refermant le couvercle, la porte d'accès latérale et toutes les entrées d'air. Sauf en cas d'urgence, ne versez PAS d'eau sur les charbons ardents.

#### MISE EN GARDE :

- Lorsque vous utilisez un allume-feu liquide, vérifiez toujours le cendrier avant d'allumer. Le liquide peut s'accumuler dans le cendrier et pourrait s'enflammer et provoquer un feu sous celui-ci.
- N'ajoutez jamais d'allume-feu liquide sur les charbons ardents ou même chauds, car cela pourrait provoquer un retour de flamme entraînant des blessures graves ou des bris matériels.

### Ajouter du charbon/des copeaux de bois aromatisés supplémentaires

1. Retirez la nourriture de la grille de cuisson.
2. En portant des gants de protection, retirez la grille de cuisson.
3. Placez des briquettes supplémentaires sans déranger les charbons ardents.
4. Replacez prudemment la grille de cuisson et la nourriture.

#### AVERTISSEMENT :

- N'ajoutez jamais d'allume-feu liquide sur les charbons ardents ou même chauds, car cela pourrait provoquer un retour de flamme entraînant des blessures graves ou des bris matériels.

#### MISE EN GARDE :

- N'utilisez jamais de charbon prétraité avec de l'essence à briquet. Utilisez uniquement du charbon, un mélange de charbon et de bois, du charbon de bois en blocs ou du bois de cuisson naturels de haute qualité.
- Ouvrez lentement le couvercle, car des flammes peuvent jaillir lorsque de l'air frais entre soudainement en contact avec le feu.



## INSTRUCTIONS DE FONCTIONNEMENT

---

1. En portant des gants de protection, retirez prudemment le couvercle du fumoir. Veillez à ouvrir le couvercle loin de vous. De cette façon, la vapeur ne s'échappera pas sur vous.
2. Comment utiliser cet appareil comme fumoir :
  - a. En portant des gants de protection, ouvrez prudemment la porte d'accès latérale du fumoir. Veillez à ouvrir le couvercle loin de vous. De cette façon, la vapeur ne s'échappera pas sur vous.
  - b. En portant des gants de protection et à l'aide de longues pinces à cuisson, balayez doucement les cendres qui recouvrent les charbons ardents.
  - c. En portant des gants de protection et à l'aide de longues pinces à cuisson, ajoutez prudemment du charbon ou des copeaux de bois aromatisés supplémentaires sur la grille à charbon, à travers la porte.
  - d. Lorsque le charbon ou les copeaux de bois aromatisés brûlent bien, fermez la porte et remplacez le couvercle sur le fumoir.

Comment utiliser cet appareil comme barbecue à cuisson directe ou indirecte :

- a. En portant des gants de protection et à l'aide de longues pinces à cuisson, retirez la nourriture et la grille de cuisson.
- b. En portant des gants de protection et à l'aide de longues pinces à cuisson, balayez doucement les cendres qui recouvrent les charbons ardents.
- c. En portant des gants de protection et à l'aide de longues pinces à cuisson, ajoutez prudemment du charbon ou des copeaux de bois aromatisés supplémentaires sur la grille à charbon.
- d. Lorsque le charbon ou les copeaux de bois aromatisés brûlent bien, remplacez la grille de cuisson et la nourriture, puis le couvercle sur l'appareil.

### Ajouter de l'eau supplémentaire

Lorsque vous utilisez le fumoir, vérifiez le niveau d'eau toutes les 2 heures. S'il n'y a plus assez d'eau, ajoutez-en par le haut ou par la porte d'accès latérale du fumoir. Référez-vous aux instructions ci-dessous.

Remarque : Si vous entendez l'eau bouillir, cela signifie que le niveau d'eau est bas.

### Ajouter de l'eau – option 1 : par le haut du fumoir

#### MISE EN GARDE :

• Ouvrez lentement le couvercle, car des flammes peuvent jaillir lorsque de l'air frais entre soudainement en contact avec le feu.

1. En portant des gants de protection, retirez prudemment le couvercle du fumoir. Veillez à ouvrir le couvercle loin de vous. De cette façon, la vapeur ne s'échappera pas sur vous.
2. Vérifiez le niveau d'eau dans le réservoir, puis :
  - a. S'il est nécessaire d'ajouter de l'eau, passez à l'étape 3.
  - b. S'il y a suffisamment d'eau, remplacez le couvercle sur le fumoir.
3. Ajouter de l'eau lorsque seule la grille de cuisson supérieure est utilisée :
  - a. En portant des gants de protection et à l'aide de longues pinces à cuisson, faites glisser la nourriture d'un seul et même côté de la grille de cuisson.
  - b. Remplissez doucement le réservoir jusqu'à environ 2,54 cm (1 po) du rebord (figure 3, page 39). Ne remplissez pas trop le réservoir d'eau.

#### MISE EN GARDE :

• Tenez-vous sur le côté du fumoir.

## INSTRUCTIONS DE FONCTIONNEMENT

---

### Ajouter de l'eau – option 1 : par le haut du fumoir (suite)

- c. Remplacez la nourriture sur l'ensemble de la grille.
- d. Remplacez le couvercle sur le fumoir.

Ajouter de l'eau lorsque les grilles de cuisson supérieure et inférieure sont utilisées :

- a. En portant des gants de protection et à l'aide de longues pinces à cuisson, retirez la nourriture et la grille de cuisson supérieure.
- b. En portant des gants de protection et à l'aide de longues pinces à cuisson, faites glisser la nourriture d'un seul et même côté de la grille de cuisson inférieure.
- c. Remplissez doucement le réservoir jusqu'à environ 2,54 cm (1 po) du rebord (figure 3, page 39). Ne remplissez pas trop le réservoir d'eau.

#### MISE EN GARDE :

- Tenez-vous sur le côté du fumoir et faites très attention lorsque vous versez de l'eau dans le réservoir, car elle pourrait s'évaporer immédiatement.

- d. Remplacez la nourriture sur l'ensemble de la grille de cuisson inférieure.
- e. Remplacez la grille de cuisson supérieure et la nourriture.
- f. Remplacez le couvercle sur le fumoir.

### Ajouter de l'eau – option 2 : par le côté du fumoir

#### MISE EN GARDE :

- Ouvrez lentement le couvercle, car des flammes peuvent jaillir lorsque de l'air frais entre soudainement en contact avec le feu.

1. En portant des gants de protection, ouvrez prudemment la porte d'accès latérale du fumoir. Veillez à vous tenir à l'opposé de l'ouverture de la porte. De cette façon, la vapeur ne s'échappera pas sur vous.
2. Vérifiez le niveau d'eau dans le réservoir, puis :
  - a. S'il est nécessaire d'ajouter de l'eau, passez à l'étape 3.
  - b. S'il y a suffisamment d'eau, fermez la porte d'accès latérale du fumoir.
3. À l'aide d'un entonnoir ou d'un contenant équipé d'un bec verseur, remplissez prudemment le réservoir d'eau jusqu'à environ 2,54 cm (1 po) du rebord (figure 3, page 39). Ne remplissez pas trop le réservoir d'eau.

#### MISE EN GARDE :

- Tenez-vous sur le côté du fumoir et faites très attention lorsque vous versez de l'eau dans le réservoir, car elle pourrait s'évaporer immédiatement.

4. Fermez la porte d'accès latérale du fumoir.

## INSTRUCTIONS DE FONCTIONNEMENT

---

### Contrôler les flammes :

#### **AVERTISSEMENT :**

- Ne versez pas d'eau sur un feu alimenté par de l'huile ou de la graisse. Cela pourrait causer des éclaboussures de graisse pouvant entraîner des brûlures, des blessures corporelles graves ou d'autres dommages.

#### **MISE EN GARDE :**

- Ne laissez pas le fumoir sans surveillance pendant qu'il préchauffe, que vous cuisinez ou que vous faites brûler des résidus alimentaires. Si le fumoir n'est pas nettoyé, un feu de graisse ou d'huile pourrait survenir et endommager l'appareil.
- Vous devriez avoir à portée de main le nécessaire pour l'extinction des incendies quand vous cuisinez. Si le feu prend dans l'huile ou le gras, ne tentez pas de l'éteindre avec de l'eau. Utilisez un extincteur à poudre sèche de type BC ou étouffez le feu avec de la terre, du sable ou du bicarbonate de soude.
- Les flammes font partie intégrante de la cuisson avec un fumoir et participent à l'obtention du goût fumé unique.
- Des flammes excessives peuvent surcuire votre nourriture et entraîner une situation dangereuse pour vous et votre fumoir.
- Les flammes excessives proviennent de l'accumulation de graisse au fond du fumoir.
- Si des flammes excessives jaillissent, ne versez PAS d'eau sur les flammes.
- Si un feu de graisse se crée, fermez le couvercle jusqu'à ce qu'il s'éteigne. Faites preuve de prudence lorsque vous ouvrez le couvercle, car des flammes soudaines pourraient jaillir.

### Limiter les flammes :

1. Enlevez la graisse excédentaire de la viande avant de la cuire.
2. Veillez à ce que le fumoir soit installé sur une surface dure, nivelée et non combustible.

### Conseils pour réussir vos barbecues et prolonger la durée de vie de votre fumoir

1. Il n'y a que peu de différence de température et de temps de cuisson entre la grille de cuisson supérieure et la grille de cuisson inférieure. La nourriture qui nécessite le moins de cuisson devrait être placée sur la grille de cuisson supérieure.
2. Pour obtenir les meilleurs résultats possible avec votre fumoir, vous devez vous assurer que le réservoir d'eau est toujours rempli, que les charbons sont toujours chauds et que le couvercle est toujours fermé. Si vous utilisez du jus de fruits ou une autre marinade, pensez à tapisser le réservoir d'eau de papier d'aluminium afin d'éviter de l'abîmer pendant le processus de cuisson.
3. Pour limiter les flammes, maintenez le fumoir propre, utilisez des coupes de viande maigre ou enlevez le gras, et évitez de cuire vos aliments à très haute température.
4. Placez les aliments fragiles, comme le poisson et les légumes, dans des feuilles d'aluminium et faites-les cuire indirectement ou placez-les au plus haut.
5. Pour éviter de perdre le jus naturel des aliments, retournez la nourriture une seule fois pendant la cuisson à l'aide de longues pinces ou d'une spatule au lieu d'une fourchette.
6. Pour la cuisson indirecte de rôtis ou de gros morceaux de viande, placez la viande sur une grille à rôtir, dans un plat en métal épais.
7. Laissez le fumoir refroidir complètement après chaque utilisation.
8. Nettoyez les grilles après chaque utilisation avec une brosse de qualité conçue pour le matériau dont les grilles sont composées. Mettez des gants de protection et nettoyez les résidus pendant que les grilles sont encore chaudes.
9. Après avoir nettoyé les grilles de cuisson, recouvrez-les d'une fine couche d'huile de cuisson, enlevez les cendres, nettoyez les surfaces extérieures avec un produit nettoyant pour cuisine adéquat et protégez le fumoir avec une housse de qualité adaptée.

### MISE EN GARDE :

- N'appliquez pas d'huile végétale sur la grille à charbon ou le cendrier.
- Avant de procéder au nettoyage et à l'entretien du fumoir, attendez qu'il ait refroidi (environ 45 minutes) et retirez les combustibles.
- Ne nettoyez PAS les pièces du fumoir dans un four autonettoyant. La chaleur extrême endommagerait le fini.
- Ne laissez pas le fumoir sans surveillance pendant qu'il préchauffe ou que vous faites cuire ou brûler des résidus alimentaires à haute température. Si le fumoir n'est pas nettoyé, un feu de graisse pourrait survenir et endommager l'appareil.
- Ne retirez pas les cendres tant qu'elles ne sont pas complètement éteintes.
- Videz toujours le cendrier et le réservoir d'eau UNIQUEMENT lorsqu'ils ont complètement refroidi.
- Assurez-vous que l'eau contenue dans le réservoir ne s'évapore pas complètement. Vérifiez le réservoir au moins toutes les 2 heures et ajoutez de l'eau si le niveau est bas. Ajoutez de l'eau conformément aux instructions données dans la section « Ajouter de l'eau supplémentaire » de ce guide.
- Ne videz pas l'eau du réservoir quand vous enlevez la nourriture. Attendez que le fumoir refroidisse et que l'eau s'évapore.
- Ces critères doivent être respectés avant de pouvoir laisser le fumoir sans surveillance :
  - L'appareil doit avoir refroidi.
  - Les cendres et les charbons restants doivent être retirés avec précaution et placés dans un contenant en métal incombustible, puis imbibés d'eau.
  - Laissez les cendres et les charbons imbibés d'eau dans le contenant incombustible pendant 24 heures avant de les jeter.
  - À l'aide d'un tuyau d'arrosage, arrosez toute la surface en dessous et autour du fumoir afin d'éteindre les cendres, les braises ou les charbons qui auraient pu tomber pendant la cuisson ou le processus de nettoyage.
  - Les cendres et les charbons éteints devraient être placés à une distance sécuritaire de toute structure et de tout matériau combustible.

### Avis

1. Les nettoyeurs abrasifs peuvent endommager le fumoir.
2. N'utilisez jamais de nettoyeur pour four sur le fumoir.

### Nettoyage des surfaces

1. Nettoyez toutes les surfaces avec de l'eau chaude et du détergent à vaisselle doux ou du bicarbonate de soude.
2. Pour les taches tenaces, utilisez un dégraissant à base de citron et une brosse en nylon.
3. Rincez à l'eau et laissez sécher.

### Conseils

1. Afin d'éviter qu'il ne rouille, couvrez le fumoir lorsque vous ne l'utilisez pas.
2. L'application d'une fine couche d'huile végétale sur les surfaces intérieures du fumoir peut aider à prévenir la rouille.
  - a. Retirez le réservoir d'eau et la grille à charbon du fumoir.
  - b. Enduisez ou vaporisez légèrement toutes les surfaces intérieures du fumoir avec de l'huile végétale.

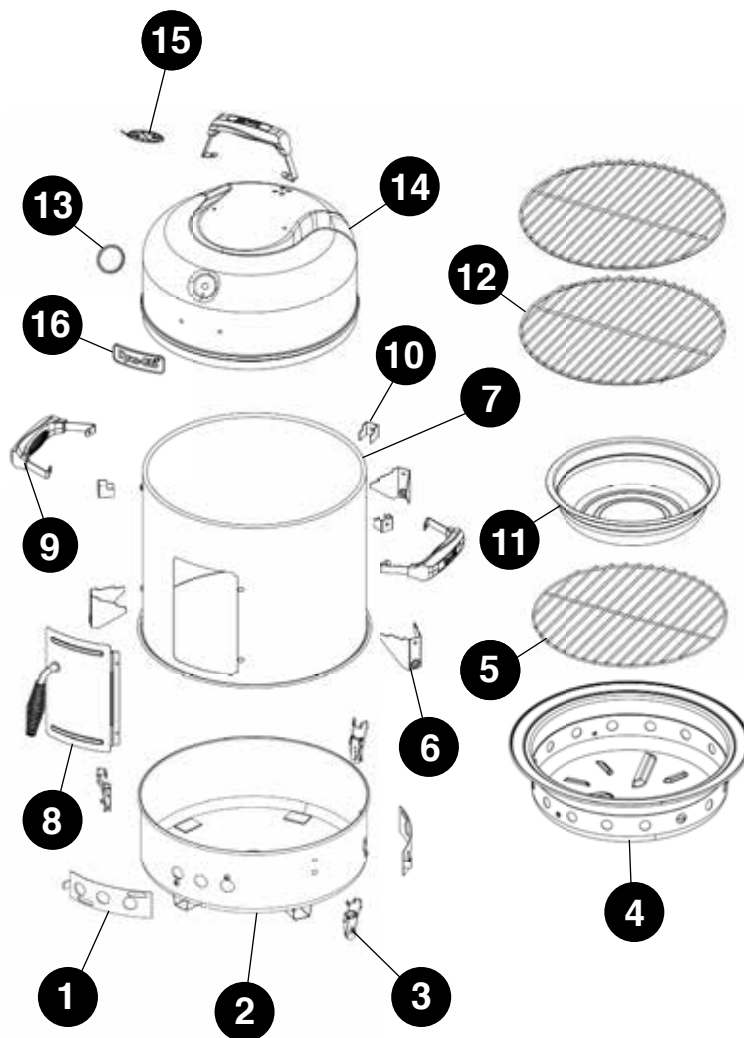
### MISE EN GARDE :

- N'appliquez pas d'huile végétale sur la grille à charbon ou le cendrier.

## LISTE DES PIÈCES DE RECHANGE

Pour obtenir des pièces de rechange, appelez notre service à la clientèle au 1 877 447-4768, entre 8 h 30 et 16 h 30 (HNC), du lundi au vendredi, ou écrivez à [customerservice@ghpgroupinc.com](mailto:customerservice@ghpgroupinc.com).

PIÈCE	DESCRIPTION	NUMÉRO DE PIÈCE
1	Registre inférieur (gauche et droit)	70 - 01 - 407
2	Section inférieure du fumoir sans le cendrier	70 - 01 - 408 (Vert) 70 - 01 - 479 (Noir)
3	Loquet du bâti du fumoir (1)	70 - 01 - 409
4	Cendrier	70 - 01 - 410
5	Grille à charbon	70 - 01 - 411
6	Supports inférieurs (1)	70 - 01 - 412
7	Section centrale du fumoir sans porte d'accès, poignées latérales ou supports	70 - 01 - 413 (Vert) 70 - 01 - 480 (Noir)
8	Porte d'accès avec poignée	70 - 01 - 414
9	Poignée du couvercle et poignées latérales	70 - 01 - 415
10	Supports supérieurs (1)	70 - 01 - 416
11	Réservoir d'eau	70 - 01 - 417
12	Grille de cuisson	70 - 01 - 418
13	Jauge de température avec écrou	70 - 01 - 419
14	Assemblage du couvercle sans registre, poignée, insigne et jauge de température	70 - 01 - 420 (Vert) 70 - 01 - 481 (Noir)
15	Registre du couvercle	70 - 01 - 421
16	Insigne Dyna-Glo*	70 - 01 - 441
s.o.	Trousse de matériel	70 - 09 - 508
s.o.	Guide d'instruction	70 - 10 - 125



\* Quincaillerie comprise

## **GARANTIE**

---

Ce fumoir et barbecue au charbon vertical compact est garanti contre les pièces brisées ou endommagées au moment de l'achat. Toutes les autres pièces sont couvertes par une garantie limitée d'un (1) an, à l'exception du réservoir d'eau et de la boîte à copeaux de bois qui sont garantis contre les défauts pour une période de 90 jours. La peinture est garantie contre les défauts pour une période de 90 jours, mais n'est pas garantie contre la rouille, qui pourrait apparaître après une utilisation répétée.

La garantie ne couvre pas les dommages et les problèmes causés par une négligence, une utilisation abusive ou des modifications apportées à l'appareil. La garantie ne couvre pas les coûts de main-d'œuvre.

Pour chaque pièce couverte par la garantie, une pièce de remplacement sera livrée sans frais selon la méthode choisie par GHP Group, Inc. (livraisons par voie terrestre, service postal des États-Unis ou services de colis postaux UNIQUEMENT). Tous les frais de manutention spéciaux (p. ex. 2 jours, jour suivant, etc.) relèvent de la responsabilité du consommateur.

Toutes les réclamations sous garantie s'appliquent uniquement à l'acheteur initial du produit et nécessitent une preuve d'achat qui indique la date d'achat. Ne retournez aucune pièce à l'adresse de GHP sans avoir obtenu au préalable un numéro d'autorisation de retour de la part du service à la clientèle. Pour obtenir ce service, appelez sans frais au 1 877 447-4768, entre 8 h 30 et 16 h 30 (HNC), du lundi au vendredi.

Les lois en vigueur dans certains États, provinces ou territoires n'autorisent pas l'exclusion ou la limitation des dommages consécutifs ou indirects, ou encore, la limitation de la durée d'une garantie implicite et, par conséquent, les limitations et exclusions énoncées ci-dessus pourraient ne pas s'appliquer à vous. La présente garantie vous accorde des droits spécifiques reconnus par la loi et vous bénéficiez peut-être aussi d'autres droits, qui peuvent varier selon l'État, la province ou le territoire.

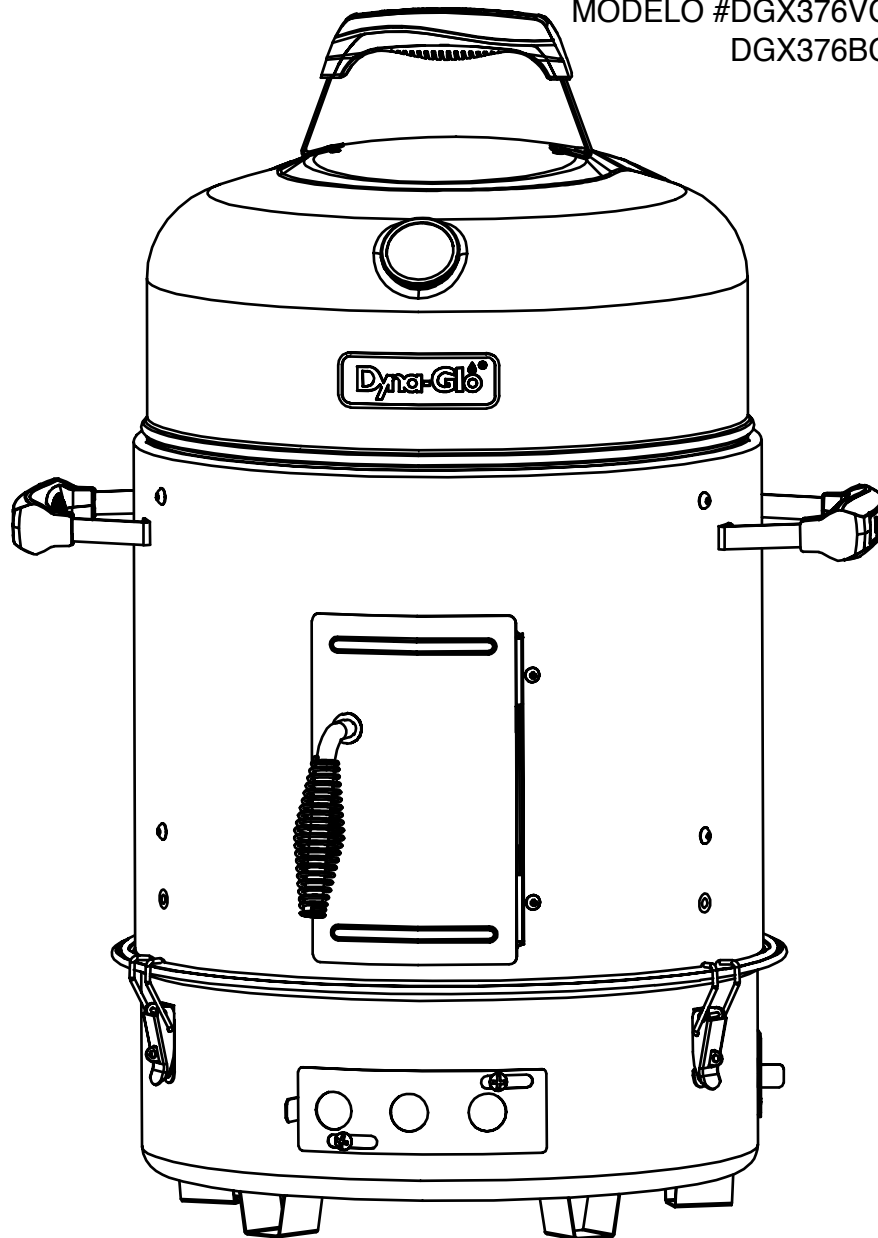
GHP Group, Inc.  
6440 W. Howard St.  
Niles, IL, États-Unis  
60714-3302

Nom de l'article : Fumoir et barbecue au charbon vertical compact  
N° de modèle : DGX376VCS/DGX376VCS-D/DGX376BCS/DGX376BCS-D



# Unidad compacta vertical de ahumador y parrilla a carbón

MODELO #DGX376VCS / DGX376VCS-D  
DGX376BCS / DGX376BCS-D



Guarde estas instrucciones para consultarlas cuando sea necesario. Si va a ensamblar esta unidad para otra persona, suminístrele este manual para que lo lea y lo guarde en caso de necesitar consultarlo en el futuro.

## ADJUNTE SU RECIBO AQUÍ

Número de serie \_\_\_\_\_ Fecha de compra \_\_\_\_\_



**¿Dudas, problemas, piezas faltantes?** Antes de volver a la tienda, llame a nuestro Departamento de Atención al Cliente al 1-877-447-4768, de lunes a viernes de 8:30 a 16:30 (hora central estándar), o escriba a [customerservice@ghpgroupinc.com](mailto:customerservice@ghpgroupinc.com).



**NO ES NECESARIO QUE VUELVA A LA TIENDA**

- ¿Tiene dudas sobre el ensamblaje?
- ¿Necesita información sobre las piezas?
- ¿Desea saber si el producto tiene garantía del fabricante?

Llame al número gratuito: 1-877-447-4768  
de lunes a viernes de 8:30 a 16:30 (hora central estándar)

**Conserve este manual del propietario y el comprobante de compra para consultarlos en el futuro**

**Para ayudarnos a ayudarlo**  
**Complete la siguiente información**

Fecha de compra:

Lugar de compra:

Número de modelo:

N.º de serie del producto:

**EL NÚMERO DE MODELO Y EL NÚMERO DE SERIE DEL PRODUCTO SE ENCUENTRAN EN  
LA ETIQUETA DE ESPECIFICACIONES DE LA PARRILLA**



## CONTENIDO

Información de seguridad .....	50
Contenido del paquete .....	53
Herramientas y tornillería .....	54
Preparación .....	54
Instrucciones de ensamblaje .....	55
Instrucciones de funcionamiento .....	59
Uso por primera vez .....	59
Instrucciones de encendido .....	60
Instrucciones para ahumar .....	61
Instrucciones para asar .....	62
Cómo agregar más carbón o madera que aporta un sabor especial.....	63
Cómo agregar más agua .....	64
Cómo controlar las llamaradas .....	66
Consejos .....	66
Cuidado y mantenimiento .....	67
Lista de piezas de repuesto .....	68
Garantía .....	69



### ADVERTENCIA

Para uso exclusivo en exteriores (afuera de espacios cerrados)



### ADVERTENCIA

1. Toda instalación, ajuste, modificación, reparación o mantenimiento inadecuados pueden causar lesiones personales o daños materiales.
2. Lea atentamente las instrucciones de instalación, funcionamiento y mantenimiento antes de instalar o reparar este equipo.
3. Si no siguiera estas instrucciones, podría producirse un incendio o una explosión capaz de provocar daños materiales y lesiones personales o mortales.
4. Este manual de instrucciones contiene información importante, necesaria para ensamblar correctamente el artefacto y utilizarlo de manera segura.
5. Lea y respete todas las advertencias e instrucciones antes de ensamblar y utilizar el artefacto.
6. Respete todas las advertencias e instrucciones al utilizar el artefacto.
7. Conserve este manual para consultarlo cuando sea necesario.



### PELIGRO

Nunca deje este artefacto desatendido cuando esté encendido.



### ADVERTENCIA

No guarde ni utilice gasolina u otros líquidos o vapores inflamables cerca de este artefacto ni de ningún otro.

## INFORMACIÓN DE SEGURIDAD

---

Lea el manual entero atentamente antes de intentar ensamblar, poner en funcionamiento o instalar el producto. Si tiene alguna pregunta sobre el producto, llame a nuestro Departamento de Atención al Cliente al 1-877-447-4768, de lunes a viernes de 8:30 a 16:30 (hora central estándar).

### ADVERTENCIAS Y PRECAUCIONES:

- Este ahumador se debe utilizar únicamente al aire libre y no se debe emplear dentro de un edificio, garaje ni ningún otro espacio cerrado.
- Solo está destinado al uso residencial. Este ahumador NO está destinado para uso comercial.
- Nunca utilice carbón que haya sido pretratado con fluido para encender. Use solo carbón común de grado alto, una mezcla de carbón y madera, carbón grueso o madera para cocinar. La conversión a cualquier otra fuente de combustible, así como el intento de usar otro combustible en este ahumador, es peligrosa y anulará la garantía.
- Este ahumador no está diseñado para que se lo utilice como calentador y nunca se debe usar con ese fin. Se pueden acumular humos TÓXICOS que podrían causar asfixia.
- **NO** use el ahumador para cocinar en interiores. Se pueden acumular gases de monóxido de carbono tóxicos que podrían causar asfixia.
- **NO** haga funcionar, encienda ni use el artefacto a menos de diez (10) pies (3.05 m) de distancia de paredes, estructuras o edificios. No utilice este artefacto debajo de ningún tipo de alero o techo.
- Para residentes de departamentos: Comuníquese con la administración para conocer los requisitos y los códigos de incendio antes de utilizar el ahumador en su complejo de departamentos. En caso de que su uso esté permitido, el artefacto debe colocarse al aire libre, en la planta baja, a una distancia mínima de diez (10) pies (3.05 m) de cualquier estructura. NO se debe utilizar en balcones ni debajo de ellos.
- **NO** utilice gasolina, kerosene ni alcohol para el encendido.
- **NO** se puede utilizar en una atmósfera explosiva. Asegúrese de que no haya material combustible, gasolina ni otros vapores y líquidos inflamables en el lugar donde se encuentra el ahumador.
- **NO** guarde ni utilice gasolina u otros líquidos o vapores inflamables a menos de 25 pies (7.62 m) de distancia de este artefacto.
- **NO** altere ni realice ningún tipo de modificación en el ahumador. Cualquier modificación o alteración anulará la garantía.
- **NO** use el ahumador a menos que esté COMPLETAMENTE ensamblado y todas las piezas estén sujetadas y ajustadas correctamente.
- Este ahumador se debe limpiar a fondo e inspeccionar regularmente. Si el ahumador no se limpia, se puede ocasionar un incendio con grasa que podría dañar el producto.
- Use solo piezas autorizadas por el fabricante. El uso de piezas no autorizadas por el fabricante puede ser peligroso y anulará la garantía.
- **NO** utilice este artefacto sin haber leído las “Instrucciones de funcionamiento” de este manual.
- **NO** toque las piezas metálicas del ahumador hasta que estén frías por completo (después de aproximadamente 45 min) para evitar quemaduras, a menos que esté usando protección personal (agarraderas, guantes, manoplas para asar, etc.).
- Nunca toque las rejillas (para carbón o para cocinar) para ver si están calientes.
- **NO** use el artefacto sobre pisos de madera, muebles de madera u otras superficies combustibles.
- Siempre coloque el ahumador sobre una superficie rígida, nivelada y no combustible. Algunas superficies asfaltadas o pavimentadas no son aptas para tal fin.
- **NO** utilice este artefacto dentro ni sobre embarcaciones o casas rodantes.
- Ubique el ahumador de modo tal que el viento no lleve las cenizas hacia superficies combustibles.
- **NO** use el artefacto cuando haya mucho viento.
- Nunca debe recostarse sobre el ahumador cuando está encendido.
- **NO** deje desatendido el ahumador cuando esté encendido. Asegúrese de que no haya niños ni animales domésticos cerca del ahumador en ningún momento.
- **NO** intente mover el ahumador cuando esté en uso. Deje que el ahumador se enfríe (aproximadamente 45 min) antes de mover o guardar la unidad.

## INFORMACIÓN DE SEGURIDAD

---

- Al cocinar, debe tener a mano materiales para extinguir incendios. En caso de producirse un incendio con aceite o grasa, no intente apagar el fuego con agua. Use un extinguidor de incendios químico seco de tipo BC o ahogue el fuego con polvo, arena o bicarbonato de sodio.
- Siempre abra la tapa del ahumador con cuidado y lentamente, ya que el calor y el vapor atrapados en el interior pueden ocasionarle una quemadura grave.
- **NO** deje desatendido el ahumador mientras esté precalentando o quemando restos de alimentos. Si el ahumador no se limpia, se puede ocasionar un incendio con grasa que podría dañar el producto.
- **NO** coloque recipientes vacíos sobre el artefacto mientras esté en uso.
- Tenga precaución al colocar algo debajo o dentro del ahumador mientras el artefacto está en uso. Utilice manoplas o guantes para horno para protegerse las manos, y evite tocar superficies calientes.
- Nunca agregue líquido para encender a las brasas calientes, y ni siquiera a las brasas templadas, porque el retroceso de la llama podría causar lesiones graves o daños materiales.
- Siempre utilice guantes protectores cuando agregue materiales combustibles (briquetas de carbón, carbón vegetal o grueso) para mantener la temperatura deseada.
- **NO** retire las cenizas hasta que se hayan apagado por completo. Las briquetas y brasas calientes pueden provocar peligro de incendio.
- Siempre vacíe la bandeja para cenizas y el ahumador después de cada uso.
- **NO** coloque el material combustible (briquetas de carbón, carbón vegetal o grueso) directamente en la parte inferior del ahumador. Colóquelo únicamente sobre la rejilla para carbón (pieza n.º 5, pág. 55).
- **NO** deje que el carbón toque las paredes del ahumador. Esto reducirá considerablemente la vida útil del metal y del acabado del ahumador.
- Asegúrese de que no haya desechos ni cenizas en los respiraderos antes de usar el ahumador.
- Asegúrese de que la rejilla para carbón esté colocada correctamente y de manera segura en su lugar antes de usar el ahumador.
- **NO** mueva el ahumador si el contenedor de agua tiene líquido.
- Siempre use el contenedor de agua y la bandeja para cenizas diseñados para este ahumador.
- Use solo piezas de repuesto autorizadas suministradas por el fabricante.
- Siempre mantenga una capa fina de agua en la bandeja para cenizas a fin de apagar alguna ceniza o brasa que se caiga.
- **NO** deje que el agua del contenedor de agua se evapore completamente mientras el ahumador está en uso. Verifique el contenedor de agua al menos cada 2 horas y agregue agua si el nivel está bajo. Para agregar agua, consulte la sección “Cómo agregar más agua” de este manual (páginas 66 y 67).
- **NO** quite el agua del contenedor una vez retirados los alimentos. Deje que el ahumador se enfríe y que el agua se evapore.
- Antes de dejar desatendido el ahumador (después de haber terminado de cocinar):
  - El ahumador debe estar frío.
  - Los restos de brasas y cenizas se deben retirar con cuidado, colocar en un contenedor metálico no combustible y empapar con agua.
  - Deje las brasas y cenizas empapadas con agua dentro de un contenedor no combustible durante 24 horas antes de desecharlas correctamente.
  - Utilice una manguera de jardín para mojar por completo la superficie debajo y alrededor del ahumador para apagar las cenizas y brasas que puedan haberse caído durante la cocción o la limpieza.
  - Las brasas y cenizas apagadas deben colocarse a una distancia segura de cualquier estructura y material combustible.
  - Mantenga todos los cables eléctricos alejados del ahumador caliente.

## INFORMACIÓN DE SEGURIDAD

---

- Utilice siempre un termómetro para carnes a fin de asegurarse de que los alimentos se cocinen a una temperatura segura.
- Nunca cubra toda el área de cocinar con una hoja de aluminio.
- Use guantes protectores al ensamblar este producto.
- No fuerce las piezas al encastrarlas porque se pueden ocasionar lesiones personales o daños al producto.
- Tenga precaución al levantar o mover el ahumador frío para evitar esguinces y lesiones en la espalda.
- Si las instrucciones mencionadas anteriormente no se siguen con exactitud, se podrían ocasionar daños a la propiedad y lesiones graves o mortales.

### PROPOSICIÓN 65 DE CALIFORNIA:

- Los derivados de la combustión generados por el uso de este producto contienen sustancias químicas que, según el estado de California, pueden provocar cáncer, anomalías congénitas u otros daños reproductivos.
- Lávese las manos después de manipular este producto.

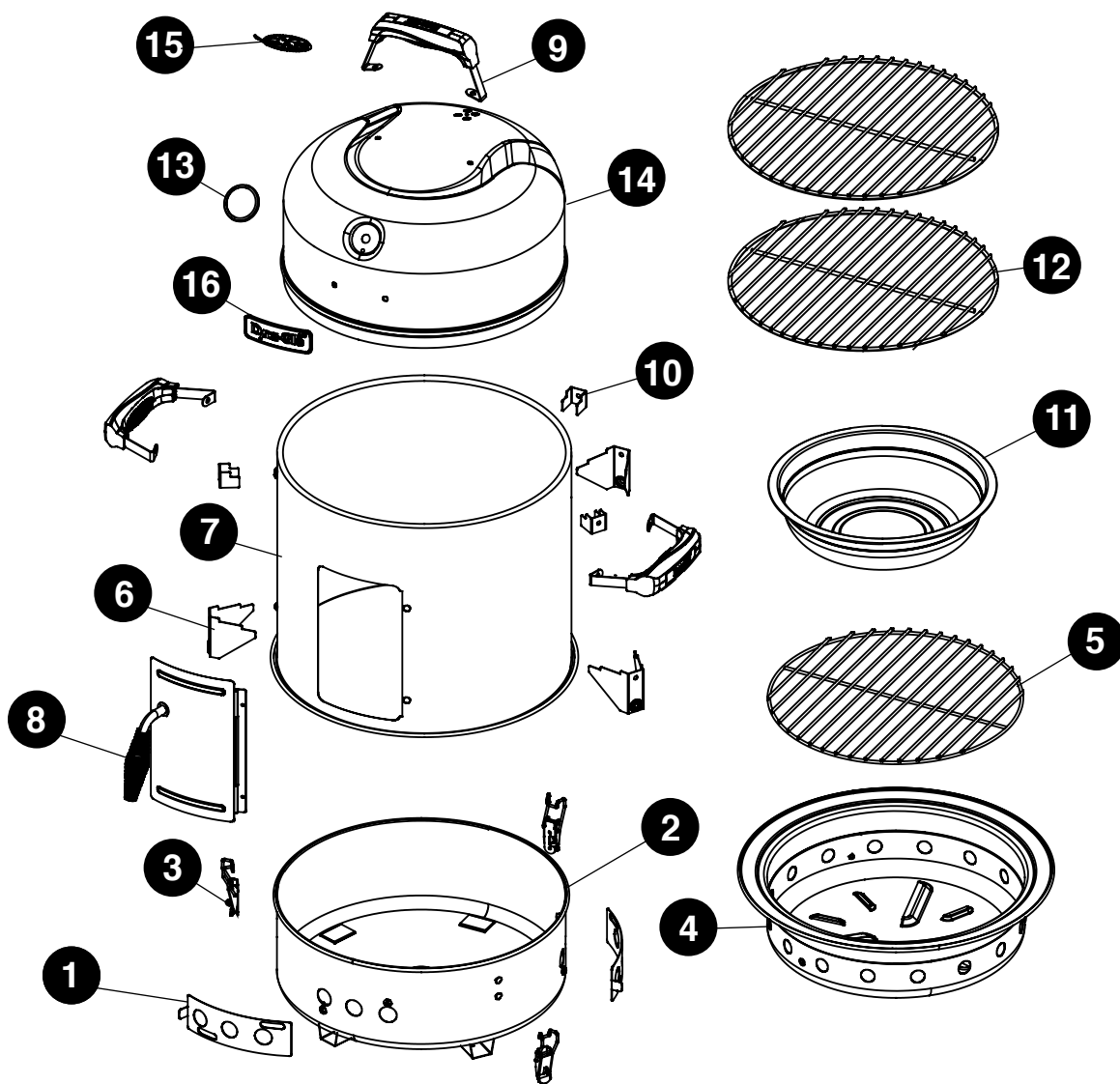


## ADVERTENCIA

### ADVERTENCIA SOBRE LA EMISIÓN DE MONÓXIDO DE CARBONO

- Al encender viruta de madera, se desprende monóxido de carbono inodoro que puede causar la muerte.
- **NO** encienda viruta de madera en viviendas, vehículos, carpas, garajes ni ningún otro lugar cerrado.
- Utilice el ahumador únicamente al aire libre, en espacios que cuenten con buena ventilación.

## CONTENIDO DEL PAQUETE



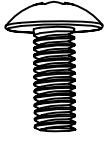
PIEZA	DESCRIPCIÓN	CANTIDAD
1	Plato regulador inferior (izq./der.)	2
2	Sección inferior del ahumador	1
3	Cerrojo de la estructura del ahumador	3
4	Bandeja para cenizas	1
5	Rejilla para carbón	1
6	Abrazaderas de soporte inferiores	3
7	Sección central del ahumador	1
8	Conjunto de la puerta de acceso	1

PIEZA	DESCRIPCIÓN	CANTIDAD
9	Manija de la tapa y manijas laterales izquierda/derecha	3
10	Abrazaderas de soporte superiores	3
11	Contenedor de agua	1
12	Rejilla para cocinar	2
13	Indicador de temperatura con tuerca	1
14	Conjunto de la tapa	1
15	Plato regulador de la tapa	1
16	Placa Dyna-Glo	1

## HERRAMIENTAS Y TORNILLERÍA

---

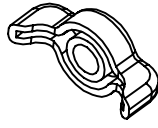
**A**



Tornillo  
M4 x 15 mm

Cant. 9

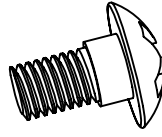
**B**



Tuerca mariposa  
M4

Cant. 9

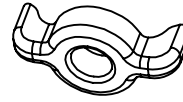
**C**



Tornillo de resalto  
M5 x 12 mm

Cant. 4

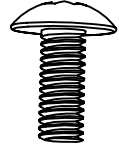
**D**



Tuerca mariposa  
M5

Cant. 18

**E**



Tornillo  
M5 x 12 mm

Cant. 12

## PREPARACIÓN

---

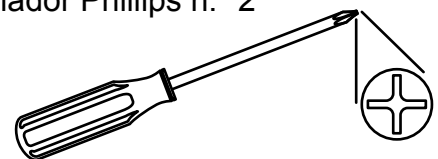
Antes de comenzar a ensamblar el producto, asegúrese de tener todas las piezas. Compare las piezas con la lista del contenido del paquete y con la lista de herramientas y tornillería. No intente ensamblar el producto si falta una pieza o hay una pieza dañada.

Para facilitar el ensamblaje:

- Para evitar la pérdida de los accesorios o componentes pequeños, ensamble el producto sobre una superficie rígida y nivelada que no tenga grietas ni aberturas.
- Despeje un área lo suficientemente amplia como para disponer todos los componentes y accesorios.
- Cuando corresponda, primero ajuste a mano todas las conexiones de los accesorios. Una vez realizado este paso, ajuste completamente todos los accesorios.
- Siga todos los pasos para ensamblar correctamente el producto.

**Tiempo estimado de ensamblaje: 30 minutos**

Herramientas requeridas para el ensamblaje (no incluidas): Destornillador Phillips n.º 2







## INSTRUCCIONES DE ENSAMBLAJE

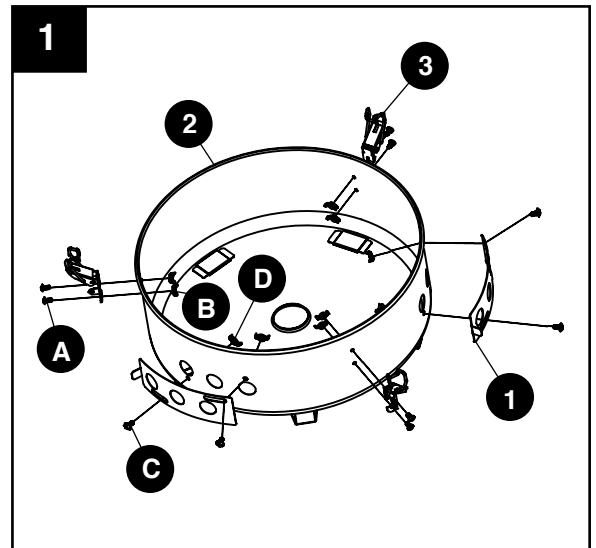
### Paso 1

#### Piezas utilizadas

<b>1</b>	Plato regulador lateral		× 2
<b>2</b>	Sección inferior del ahumador		× 1
<b>3</b>	Cerrojo de la estructura del ahumador		× 3



#### Herramientas y tornillería utilizadas

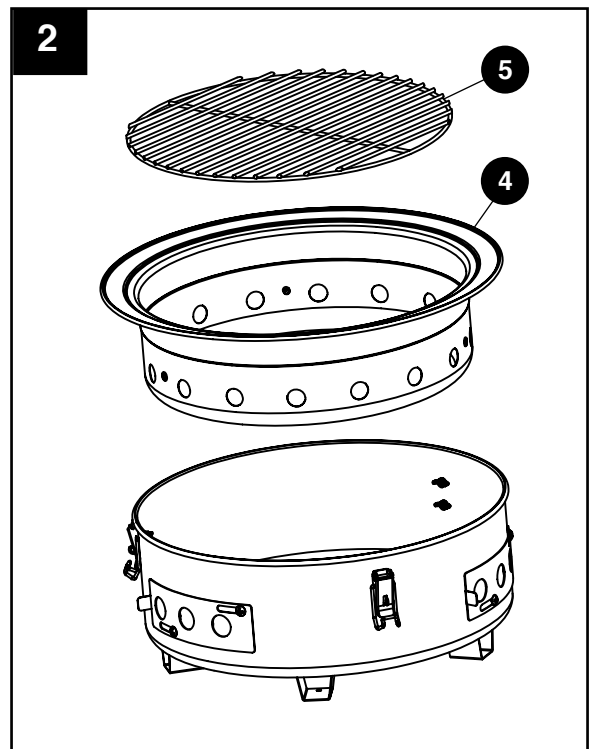
<b>A</b>	Tornillo M4 × 15 mm		× 6
<b>B</b>	Tuerca mariposa M4		× 6
<b>C</b>	Tornillo de resalto M5 × 12 mm		× 4
<b>D</b>	Tuerca mariposa M5		× 4



### Paso 2

#### Piezas utilizadas



<b>4</b>	Bandeja para cenizas		× 1
<b>5</b>	Rejilla para carbón		× 1





## INSTRUCCIONES DE ENSAMBLAJE

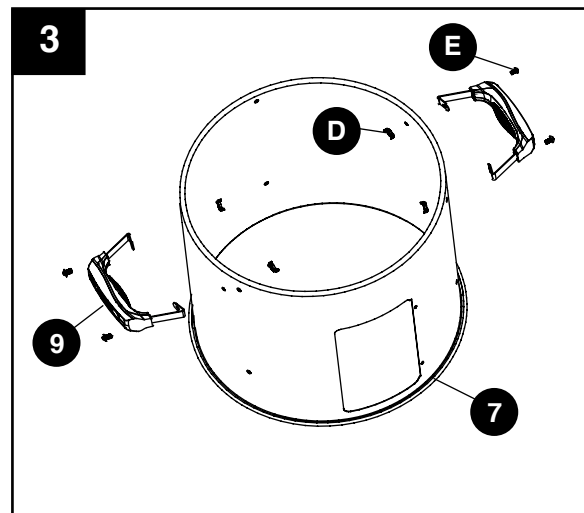
### Paso 3

#### Piezas utilizadas

<b>7</b>	Sección central del ahumador		× 1
<b>9</b>	Manijas laterales izquierda/derecha		× 2


#### Herramientas y tornillería utilizadas

<b>E</b>	Tornillo M5 × 12 mm		× 4
<b>D</b>	Tuerca mariposa M5		× 4





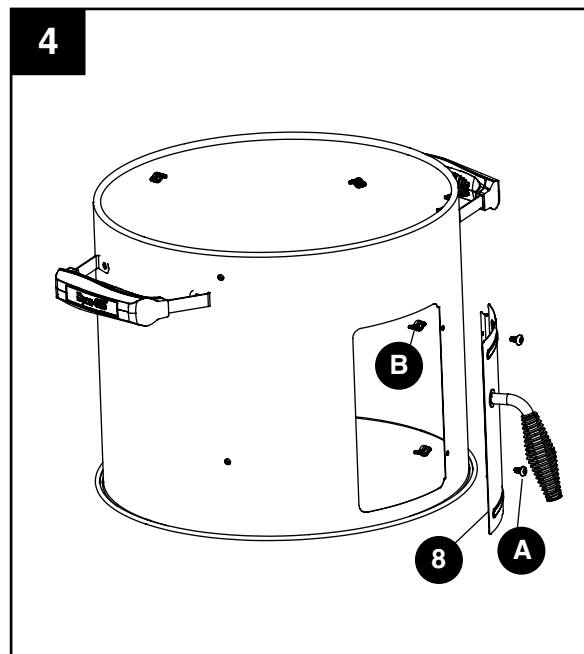
### Paso 4

#### Piezas utilizadas

<b>8</b>	Conjunto de la puerta de acceso		× 1
----------	---------------------------------	---	-----

#### Herramientas y tornillería utilizadas

<b>A</b>	Tornillo M4 × 15 mm		× 2
<b>B</b>	Tuerca mariposa M4		× 2









## INSTRUCCIONES DE ENSAMBLAJE

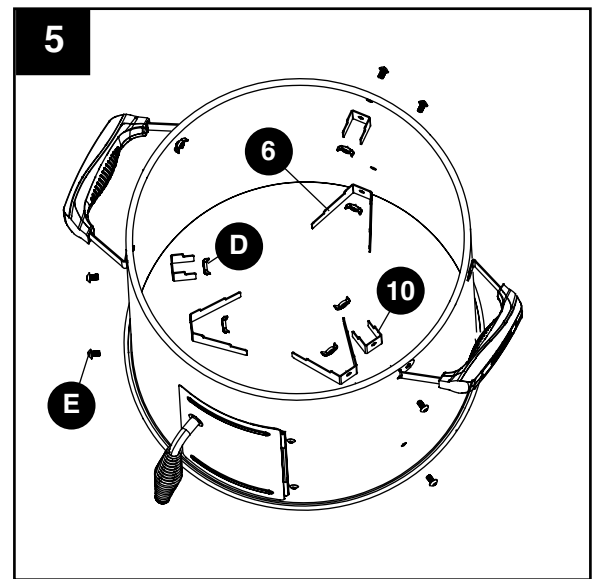
### Paso 5

#### Piezas utilizadas

- |           |                                   |   |     |
|-----------|-----------------------------------|---|-----|
| <b>6</b>  | Abrazaderas de soporte inferiores |  | x 3 |
| <b>10</b> | Abrazaderas de soporte superiores |  | x 3 |

#### Herramientas y tornillería utilizadas

- |          |                        |   |     |
|----------|------------------------|---|-----|
| <b>E</b> | Tornillo<br>M5 x 12 mm |  | x 6 |
| <b>D</b> | Tuerca mariposa<br>M5  |  | x 6 |



### Paso 6

Coloque la estructura del ahumador en la base.

#### Para bloquear la base del ahumador:

Levante la palanca del cerrojo hacia arriba hasta que el alambre se enganche en la tapa de la estructura del ahumador. Consulte la Fig. 1a.

#### Para desbloquear la base del ahumador:

Levante el cerrojo hacia arriba hasta que el alambre se desenganche de la tapa de la estructura del ahumador. Consulte la Fig. 1b.

#### ⚠ PRECAUCIÓN:

- El ahumador se debe trasladar y guardar frío y sin el material combustible.
- Siempre bloquee la base del ahumador antes de trasladarlo.

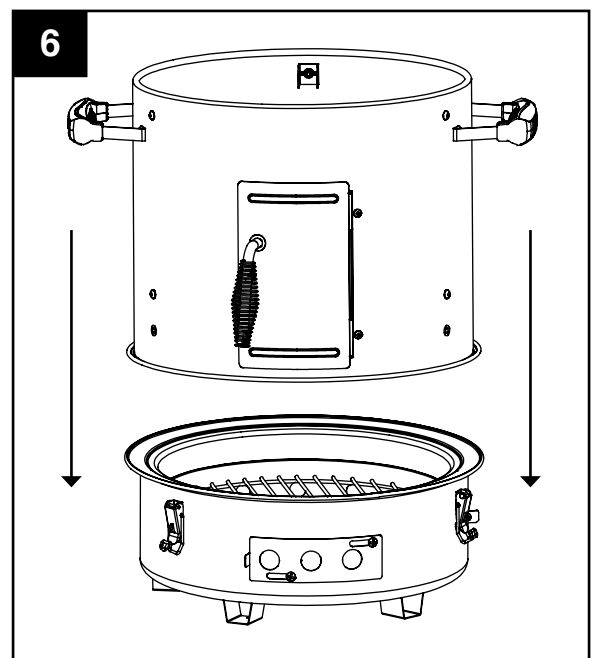


Fig. 1a

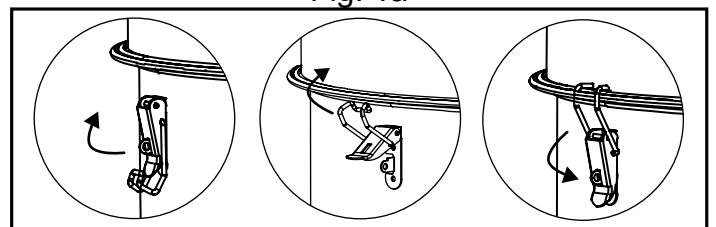
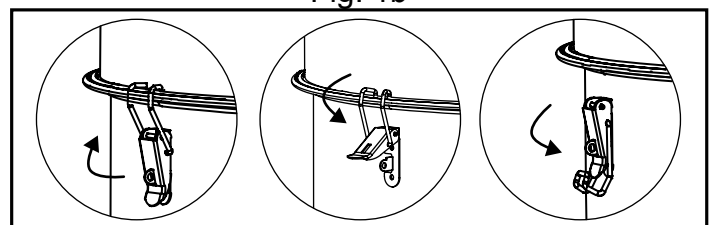


Fig. 1b



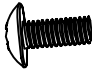

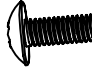

## INSTRUCCIONES DE ENSAMBLAJE

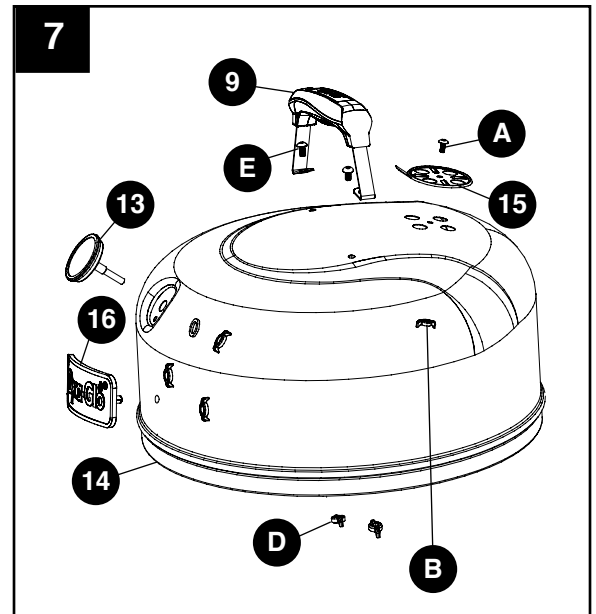
### Paso 7

#### Piezas utilizadas

<b>13</b>	Indicador de temperatura con tuerca		× 1
<b>14</b>	Conjunto de la tapa		× 1
<b>15</b>	Plato regulador de la tapa		× 1
<b>9</b>	Manija de la tapa		× 1
<b>16</b>	Placa Dyna-Glo		× 1



#### Herramientas y tornillería utilizadas

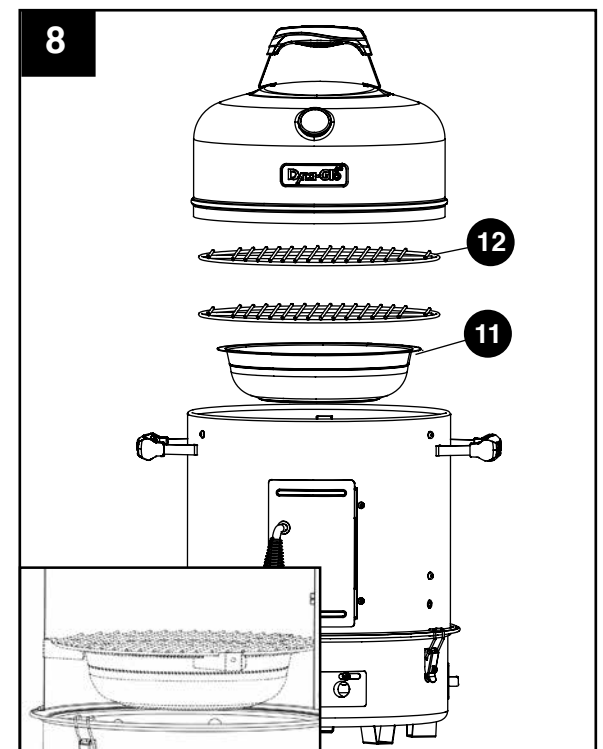
<b>A</b>	Tornillo M4 × 15 mm		× 1
<b>B</b>	Tuerca mariposa M4		× 1
<b>E</b>	Tornillo M5 × 12 mm		× 2
<b>D</b>	Tuerca mariposa M5		× 4



### Paso 8

#### Piezas utilizadas

<b>11</b>	Contenedor de agua		× 1
<b>12</b>	Rejilla para cocinar		× 2



## INSTRUCCIONES DE FUNCIONAMIENTO

---

Este artefacto está diseñado para utilizarlo con briquetas de carbón de alta calidad, carbón grueso y madera para cocinar.

### PRECAUCIÓN:

- Nunca utilice carbón que haya sido pretratado con fluido para encender. Use solo carbón común de grado alto, una mezcla de carbón y madera, carbón grueso o madera para cocinar.
- Siempre coloque el ahumador sobre una superficie rígida, nivelada y no combustible. Algunas superficies asfaltadas o pavimentadas no son aptas para tal fin.
- No use el artefacto sobre pisos de madera, muebles de madera u otras superficies combustibles.
- Ubique el ahumador de modo tal que el viento no lleve las cenizas hacia superficies combustibles.
- Ubique el ahumador de modo tal que el humo no entre a la casa por las ventanas o puertas abiertas.
- No use el artefacto cuando haya mucho viento.

### Uso por primera vez

1. Asegúrese de retirar todas las etiquetas, el embalaje y las láminas protectoras del ahumador.
2. Quite los aceites de fabricación antes de cocinar en este ahumador por primera vez:
  - a. Encienda el ahumador según la sección "Instrucciones de encendido" de este manual.
  - b. Haga funcionar el ahumador durante al menos 2 horas con la tapa cerrada. De esta manera, se realizará una "limpieza por calor" de las piezas internas y se disiparán los olores.
  - c. No toque el exterior del ahumador ni abra la tapa durante este proceso.
  - d. Después de las 2 horas, siga los pasos de las secciones "Instrucciones para ahumar" o "Instrucciones para asar" de este manual.
3. Aplique una capa protectora:
  - a. Retire el contenedor de agua y la rejilla para carbón del ahumador.
  - b. Aplique una ligera capa de aceite vegetal líquido o en aerosol en toda la superficie interior del ahumador.

### PRECAUCIÓN:

- No aplique aceite vegetal en la rejilla para carbón ni en la bandeja para carbón.

## INSTRUCCIONES DE FUNCIONAMIENTO

---

### Instrucciones de encendido

#### PRECAUCIÓN

- No aplique aceite vegetal en la rejilla para carbón ni en la bandeja para cenizas.
- Asegúrese de que no haya desechos ni cenizas en los respiraderos antes de usar el ahumador.
- Antes de cada uso, verifique que el ahumador no esté dañado ni tenga piezas sueltas. Ajuste las piezas sueltas y reemplace las piezas dañadas antes de usar el ahumador.
- Asegúrese de que la bandeja para cenizas esté vacía y colocada correctamente y de manera segura en su lugar antes de usar el ahumador.

1. Retire la tapa, las rejillas para cocinar y el contenedor de agua. Apártelos.
2. Asegúrese de que la bandeja para carbón esté vacía y sujeta firmemente.
3. Para asar o ahumar, comience con aproximadamente 30 briquetas de carbón estándar (1.6 lb [0.7 kg]). En climas fríos, quizá se necesite más carbón. **NO SUPERE EL BORDE DE LA BANDEJA AL LLENARLA** (Figura 1, página 63).
4. Encienda el ahumador según las instrucciones del embalaje del material combustible.
5. **CONSEJO: Se puede utilizar viruta de madera junto con el carbón durante el proceso de cocción. Antes de agregar viruta de madera, deje que el carbón se quemé hasta que quede cubierto de ceniza encendida.** Para agregar viruta de madera antes de cocinar, envuelva la cantidad deseada de viruta de madera en una hoja de aluminio y colóquela directamente sobre el carbón. Realice orificios en la parte superior del envoltorio para que el humo se escape. La viruta de madera también se puede colocar directamente en el carbón sin la hoja de aluminio, pero la cantidad de viruta no debe superar la altura de la bandeja de cenizas. La parte inferior del contenedor de agua no debe tocar la viruta de madera ni el carbón durante el uso. Si la altura del material combustible es muy alta, retire el contenedor de agua con guantes termorresistentes y, sin quitarse los guantes, tome una pinza de metal y distribuya la capa superior de material combustible uniformemente por la bandeja para cenizas. La cantidad y el tipo de madera utilizada dependen únicamente de la intensidad de sabor que se desea lograr. Siempre siga las instrucciones que se encuentran en el embalaje de la madera que aporta un sabor especial antes del uso.

#### PRECAUCIÓN

- Cuando utilice líquido para encender, siempre revise la bandeja para cenizas antes del encendido. El líquido podría acumularse en la bandeja para cenizas y encenderse, lo que provocaría un incendio debajo de la bandeja.
- Nunca agregue líquido para encender a las brasas calientes, y ni siquiera a las brasas templadas, porque el retroceso de la llama podría causar lesiones graves o daños materiales.

## INSTRUCCIONES DE FUNCIONAMIENTO

• Nunca agregue líquido para encender a las brasas calientes, y ni siquiera a las brasas templadas, porque el retroceso de la llama podría causar lesiones graves o daños materiales.

### Instrucciones para ahumar

1. Coloque briquetas de carbón u otro material combustible sólido en la rejilla para carbón (Figura 1) y encienda el ahumador según la sección "Instrucciones de encendido" de este manual.
2. Con guantes termorresistentes, coloque cuidadosamente el contenedor de agua en las abrazaderas de soporte inferiores. (Figura 2)
3. Con guantes termorresistentes, llene con cuidado el contenedor de agua hasta aproximadamente 1 pulgada (2.54 cm) por debajo del borde del contenedor. (Figura 3)

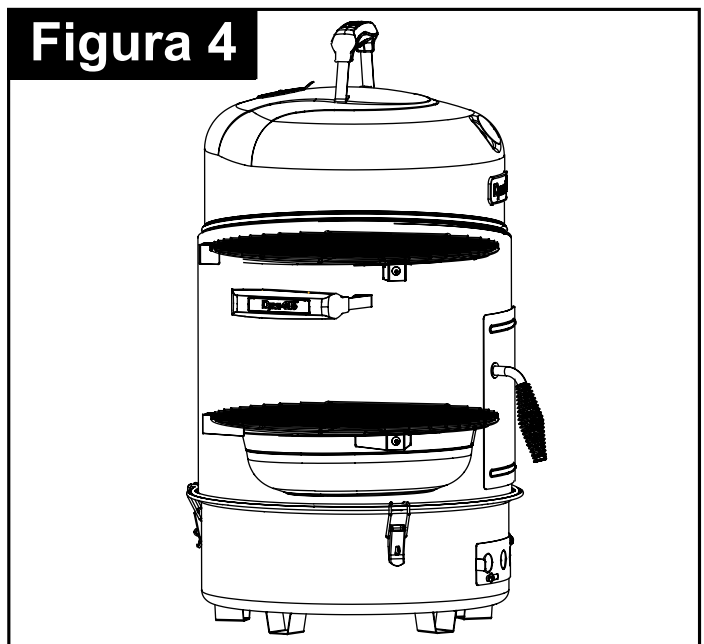
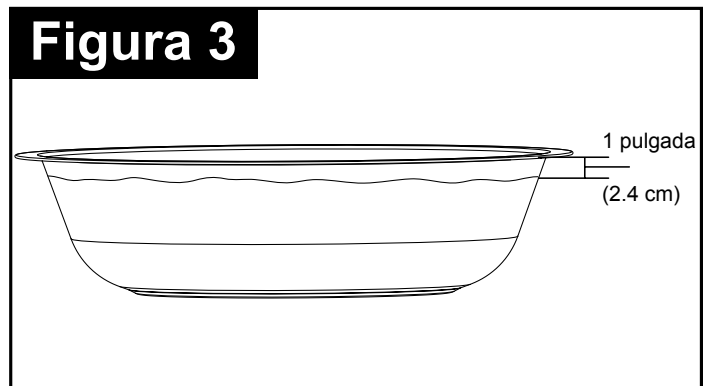
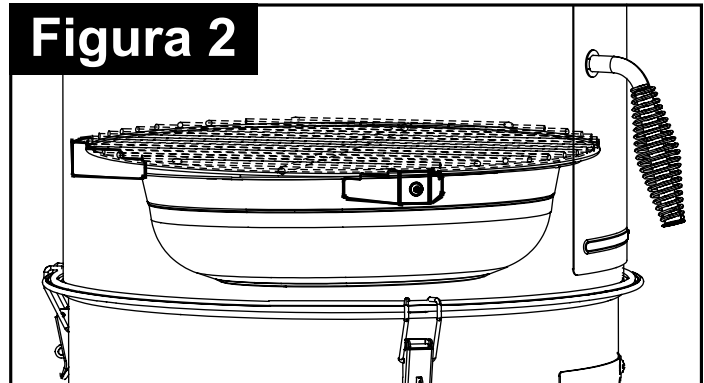
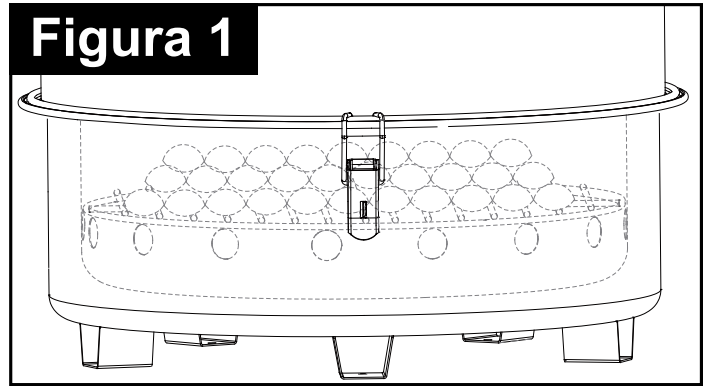
**No supere la "Línea máxima de llenado" al llenar el contenedor.**

Nota: El contenedor de agua tiene una capacidad de 2 cuartos de galón y durará aproximadamente de 2 a 3 horas cuando el ahumador esté en uso.

4. Con guantes termorresistentes, retire cuidadosamente la tapa del ahumador. Asegúrese de alejarse para abrir la tapa. Esto permitirá que el vapor se escape lejos de su cuerpo.
5. Con guantes termorresistentes, coloque cuidadosamente la rejilla para cocinar sobre las abrazaderas de soporte inferiores. (Figura 4)
6. Con guantes termorresistentes, coloque cuidadosamente los alimentos en una sola capa y dispuestos a distancias similares sobre la rejilla para cocinar inferior.
7. Con guantes termorresistentes, coloque cuidadosamente la otra rejilla para cocinar sobre las abrazaderas de soporte inferiores. (Figura 4)
8. Con guantes termorresistentes, coloque cuidadosamente los alimentos en una sola capa y dispuestos a distancias similares sobre la rejilla para cocinar superior.
9. Con guantes termorresistentes, coloque cuidadosamente la tapa del ahumador.
10. Verifique el nivel de agua según la sección "Cómo agregar más agua" y la cantidad de carbón según la sección "Cómo agregar más carbón o madera que aporta un sabor especial" de este manual.

### ⚠ PRECAUCIÓN:

• Utilice siempre un termómetro para carnes a fin de asegurarse de que los alimentos se cocinen a una temperatura segura.



## INSTRUCCIONES DE FUNCIONAMIENTO

---

### Instrucciones para asar

#### Opción 1 - Parrilla: cocción directa

#### PRECAUCIÓN

- Siempre asegúrese de que no haya desechos ni cenizas en el ahumador/parrilla antes de usarlo. Utilice siempre un termómetro para carnes a fin de asegurarse de que los alimentos se cocinen a una temperatura segura.

Cocinar directamente sobre las brasas calientes es ideal para dorar alimentos en su propio jugo y asar alimentos que requieren menos de 25 minutos de cocción, por ejemplo, bistecs, hamburguesas, salchichas, trozos de pollo, vegetales y frutas.

1. Retire la tapa, las rejillas para cocinar y el contenedor de agua. Apártelos.
2. Desbloquee y retire la estructura del ahumador. Apártela.
3. Asegúrese de que la bandeja para cenizas esté vacía y sujeta firmemente.
4. Comience con aproximadamente 30 briquetas de carbón estándar (1.6 lb [0.7 kg]). En climas fríos, quizá se necesite más carbón. **NO SUPERE EL BORDE DE LA BANDEJA AL LLENARLA.** (Figura 1, página 63)
5. Encienda el ahumador según las instrucciones del embalaje del material combustible. Deje el ahumador desatapado.
6. Deje que el material combustible se quemé hasta que se formen brasas encendidas antes de cocinar.
7. Con guantes protectores, retire cuidadosamente la tapa del ahumador. Asegúrese de alejarse para abrir la tapa. Esto permitirá que el vapor se escape lejos de su cuerpo.
8. Con guantes protectores, distribuya cuidadosamente las brasas calientes de manera uniforme por la rejilla para carbón con un utensilio largo.
9. Con guantes protectores, ubique la rejilla sobre las abrazaderas de soporte inferiores, coloque la tapa y deje que la parrilla se precaliente.
10. Con guantes protectores, abra la tapa y coloque los alimentos sobre la rejilla para cocinar encima de las brasas calientes con una pinza larga.
11. Cierre la tapa, la puerta de acceso lateral y todos los reguladores para que el carbón se quemé. Excepto en casos de emergencia, **NO vierta agua sobre las brasas calientes.**

#### ADVERTENCIA:

- Nunca agregue líquido para encender a las brasas calientes, y ni siquiera a las brasas templadas, porque el retroceso de la llama podría causar lesiones graves o daños materiales.

#### PRECAUCIÓN:

- Cuando utilice líquido para encender, siempre revise la bandeja para cenizas antes del encendido. El líquido podría acumularse en la bandeja para cenizas y encenderse, lo que provocaría un incendio debajo de la bandeja.

## INSTRUCCIONES DE FUNCIONAMIENTO

---

### Opción 2 - Parrilla: cocción indirecta

#### PRECAUCIÓN:

- Asegúrese de que no haya desechos ni cenizas en el ahumador/parrilla antes de usarlo.

No cocinar directamente sobre las brasas calientes es ideal para una cocción lenta y para asar alimentos que requieren más de 25 minutos de cocción, por ejemplo, la mayoría de los cortes de asado, lomo, chuletas, pollo entero, pavo, pescado y productos de panificación.

1. Retire la tapa, la rejilla y el contenedor de agua. Apártelos.
2. Desbloquee y retire la estructura del ahumador. Apártela.
3. Asegúrese de que la bandeja para cenizas esté vacía y sujeta firmemente.
4. Coloque las briquetas de carbón y/o la madera del lado izquierdo o derecho de la rejilla para carbón.
5. Encienda el ahumador según las instrucciones del embalaje del material combustible. Deje la tapa abierta.
6. Deje que el material combustible se quemé hasta que se formen brasas encendidas antes de cocinar.
7. Con guantes protectores, retire cuidadosamente la tapa del ahumador. Asegúrese de alejarse para abrir la tapa. Esto permitirá que el vapor se escape lejos de su cuerpo.
8. Con guantes protectores, corra cuidadosamente las brasas calientes hacia los costados de la rejilla para carbón con un utensilio largo.
9. Con guantes protectores, coloque la rejilla para cocinar sobre las abrazaderas de soporte inferiores, cierre la tapa y deje que la parrilla se precaliente.
10. Con guantes protectores, abra la tapa y coloque los alimentos sobre la rejilla para cocinar con una pinza metálica larga. Para obtener los mejores resultados, no coloque los alimentos directamente encima de las briquetas o la madera que aporta un sabor especial.
11. Con la tapa abierta o cerrada, cocine hasta que se alcance la temperatura interna deseada de los alimentos.
12. Cierre la tapa, la puerta de acceso lateral y todos los respiraderos para que el carbón se quemé. Excepto en casos de emergencia, NO vierta agua sobre las brasas calientes.

#### PRECAUCIÓN:

- Cuando utilice líquido para encender, siempre revise la bandeja para cenizas antes del encendido. El líquido podría acumularse en la bandeja para cenizas y encenderse, lo que provocaría un incendio debajo de la bandeja.
- Nunca agregue líquido para encender a las brasas calientes, y ni siquiera a las brasas templadas, porque el retroceso de la llama podría causar lesiones graves o daños materiales.

### Cómo agregar más carbón o madera que aporta un sabor especial

1. Retire los alimentos de la rejilla para cocinar.
2. Con guantes protectores, retire la rejilla para cocinar.
3. Agregue más briquetas sin agitar las brasas calientes.
4. Vuelva a colocar cuidadosamente la rejilla para cocinar y los alimentos.

#### ADVERTENCIA:

- Nunca agregue líquido para encender a las brasas calientes, y ni siquiera a las brasas templadas, porque el retroceso de la llama podría causar lesiones graves o daños materiales.

#### PRECAUCIÓN:

- Nunca utilice carbón que haya sido pretratado con fluido para encender. Use solo carbón común de grado alto, una mezcla de carbón y madera, carbón grueso o madera para cocinar.
- Abra la tapa lentamente para evitar que se genere una llamarada cuando el aire fresco entra en contacto con el fuego.

## INSTRUCCIONES DE FUNCIONAMIENTO

---

1. Con guantes protectores, retire cuidadosamente la tapa del ahumador. Asegúrese de alejarse para abrir la tapa. Esto permitirá que el vapor se escape lejos de su cuerpo.
2. Uso del artefacto como ahumador:
  - a. Con guantes protectores, abra cuidadosamente la puerta de acceso lateral. Asegúrese de alejarse para abrir la puerta. Esto permitirá que el vapor se escape lejos de su cuerpo.
  - b. Con guantes protectores y una pinza larga, sacuda ligeramente las cenizas de las brasas calientes.
  - c. Con guantes protectores y una pinza larga, agregue cuidadosamente más carbón o madera que aporta un sabor especial a la rejilla para carbón por la puerta.
  - d. Cuando el carbón nuevo o la madera que aporta un sabor especial estén ardiendo, cierre la puerta y coloque la tapa del ahumador.

Uso del artefacto como parrilla para cocción directa o indirecta:

- a. Con guantes protectores y una pinza larga, retire los alimentos y la rejilla para cocinar.
- b. Con guantes protectores y una pinza larga, sacuda ligeramente las cenizas de las brasas calientes.
- c. Con guantes protectores y una pinza larga, agregue cuidadosamente más carbón o madera que aporta un sabor especial a la rejilla para carbón.
- d. Cuando el carbón nuevo o la madera que aporta un sabor especial estén ardiendo, vuelva a colocar la rejilla para cocinar, los alimentos y la tapa en el ahumador.

### Cómo agregar más agua

Mientras utiliza el ahumador, verifique el nivel de agua al menos cada 2 horas. Si es necesario, puede agregar agua por la parte superior o por la puerta de acceso lateral del ahumador. Consulte las instrucciones que figuran debajo.

Nota: El nivel bajo de agua se puede detectar escuchando el sonido del agua hirviendo.

### Cómo agregar agua - Opción 1: Por la parte superior del ahumador

#### PRECAUCIÓN:

- Abra la tapa lentamente para evitar que se genere una llamarada cuando el aire fresco entre en contacto con el fuego.

1. Con guantes protectores, retire cuidadosamente la tapa del ahumador. Asegúrese de alejarse para abrir la tapa. Esto permitirá que el vapor se escape lejos de su cuerpo.
2. Determine el nivel de agua del contenedor de agua:
  - a. Si se necesita agua, continúe con el paso 3.
  - b. Si no se necesita agua, vuelva a colocar la tapa del ahumador.
3. Cómo agregar más agua mientras se usa solo la rejilla para cocinar superior:
  - a. Con guantes protectores y una pinza larga, coloque los alimentos en un costado de la rejilla para cocinar.
  - b. Llene con cuidado el contenedor de agua hasta aproximadamente 1 pulgada (2.54 cm) por debajo del borde del contenedor. (Figura 3, p. 63). No llene demasiado el contenedor de agua.

#### PRECAUCIÓN:

- Párese a un lado del ahumador.



## INSTRUCCIONES DE FUNCIONAMIENTO

---

### Cómo agregar agua - Opción 1: Por la parte superior del ahumador (cont.)

- c. Vuelva a mover los alimentos a la posición adecuada.
- d. Vuelva a colocar la tapa del ahumador.

Cómo agregar más agua mientras se usan las rejillas para cocinar superior e inferior:

- a. Con guantes protectores y una pinza larga, retire los alimentos y la rejilla para cocinar superior.
- b. Con guantes protectores y una pinza larga, coloque los alimentos en un costado de la rejilla para cocinar inferior.
- c. Llene con cuidado el contenedor de agua hasta aproximadamente 1 pulgada (2.54 cm) por debajo del borde del contenedor. (Figura 3, p. 63). No llene demasiado el contenedor de agua.

#### PRECAUCIÓN:

- Párese a un lado del ahumador y tenga mucha precaución al verter el agua, ya que podría evaporarse directamente.

- d. Vuelva a mover los alimentos a la posición adecuada en la rejilla para cocinar inferior.
- e. Vuelva a colocar la rejilla para cocinar superior y los alimentos.
- f. Vuelva a colocar la tapa del ahumador.

### Cómo agregar agua - Opción 2: Por un lateral del ahumador

#### PRECAUCIÓN:

- Abra la tapa lentamente para evitar que se genere una llamarada cuando el aire fresco entre en contacto con el fuego.
1. Con guantes protectores, abra cuidadosamente la puerta de acceso lateral del ahumador. Asegúrese de pararse en el lateral opuesto de la abertura de la puerta. Esto permitirá que el vapor se escape lejos de su cuerpo.
  2. Determine el nivel de agua del contenedor de agua:
    - a. Si se necesita agua, continúe con el paso 3.
    - b. Si no se necesita agua, cierre la puerta lateral del ahumador.
  3. Con un embudo o un recipiente con pico, llene con cuidado el contenedor de agua hasta aproximadamente 1 pulgada (2.54 cm) por debajo del borde del contenedor. (Figura 3, p. 63). No llene demasiado el contenedor de agua.

#### PRECAUCIÓN:

- Párese a un lado del ahumador y tenga mucha precaución al verter el agua, ya que podría evaporarse directamente.

4. Cierre la puerta lateral del ahumador.

## INSTRUCCIONES DE FUNCIONAMIENTO

---

### Cómo controlar las llamaradas:

#### **ADVERTENCIA:**

- No utilice agua en un incendio con aceite/grasa. Esto puede hacer que la grasa salpique y podría ocasionar quemaduras graves, lesiones en el cuerpo u otros daños.

#### **PRECAUCIÓN:**

- No deje desatendido el ahumador mientras está precalentando, cocinando o quemando restos de alimentos. Si el ahumador no se limpia, se puede ocasionar un incendio con aceite o grasa que podría dañar el producto.
- Al cocinar, debe tener a mano materiales para extinguir incendios. De producirse un incendio con aceite o grasa, no intente apagar el fuego con agua. Use un extinguidor de incendios químico seco de tipo BC o ahogue el fuego con polvo, arena o bicarbonato de sodio.
- Las llamaradas son parte de la cocción de carnes en un ahumador y le aportan un sabor ahumado único.
- Demasiadas llamaradas pueden recocer los alimentos y generar una situación peligrosa para usted y para el ahumador.
- La acumulación de grasa en la parte inferior del ahumador ocasiona demasiadas llamaradas.
- Si esto sucede, NO vierta agua sobre las llamas.
- Si se produce un incendio con grasa, cierre la tapa hasta que la grasa se queme totalmente. Tenga precaución al abrir la tapa porque podrían generarse llamaradas repentinas.

### Cómo minimizar las llamaradas:

1. Recorte el exceso de grasa de la carne antes de cocinarla.
2. Asegúrese de que el ahumador esté sobre una superficie rígida, nivelada y no combustible.

### Consejos para lograr mejores comidas al aire libre y una vida útil prolongada del ahumador

1. Hay muy poca diferencia de temperatura y tiempo de cocción entre las rejillas para cocinar superior e inferior. Los alimentos que requieren el menor tiempo de cocción deben colocarse en la rejilla para cocinar superior.
2. Para obtener mejores resultados con el ahumador, recuerde mantener el contenedor de agua lleno de agua u otros líquidos, el carbón caliente y la tapa cerrada. Si utiliza jugos de frutas u otros adobos, le recomendamos recubrir el contenedor de agua con una hoja de aluminio para evitar quemarlo durante el proceso de cocción.
3. Para reducir las llamaradas, mantenga limpio el ahumador, use cortes de carne magra (o recorte la grasa) y evite cocinar a temperaturas muy altas.
4. Coloque los alimentos delicados, como pescado y vegetales, en una hoja de aluminio y no aplique fuego directo o coloque estos alimentos en los niveles más altos.
5. Para evitar perder los jugos naturales, utilice pinzas o espátulas largas en lugar de tenedores y dé vuelta los alimentos solo una vez durante la cocción.
6. Cuando cocina indirectamente carne asada o cortes de carne grandes, coloque la carne en una rejilla para asar adentro de una bandeja de metal de gran espesor.
7. Deje que el ahumador se enfríe completamente después de cada uso.
8. Limpie las rejillas para cocinar y las demás rejillas después de cada uso con un cepillo de buena calidad diseñado para el material de la rejilla. Use guantes protectores y quite suavemente los residuos acumulados mientras las rejillas están calientes.
9. Luego, proteja las rejillas para cocinar limpias con una ligera capa de aceite para cocinar, quite todas las cenizas, limpie las superficies externas con un limpiador adecuado y proteja las superficies con una funda de buena calidad que se ajuste correctamente al ahumador.

## CUIDADO Y MANTENIMIENTO

---

### PRECAUCIÓN:

- No aplique aceite vegetal en la rejilla para carbón ni en la bandeja para cenizas.
- La limpieza y el mantenimiento se deben realizar cuando el ahumador esté frío (aproximadamente después de 45 minutos) y después de retirar el material combustible.
- NO limpie ninguna pieza del ahumador en un horno autolimpiante. El calor extremo dañará el acabado.
- No deje desatendido el ahumador mientras esté precalentando, cocinando o quemando los restos de alimentos a temperatura alta. Si el ahumador no se limpia, se puede ocasionar un incendio con grasa que podría dañar el producto.
- No retire las cenizas hasta que se hayan apagado por completo.
- Siempre vacíe la bandeja para cenizas y el contenedor de agua SOLO después de que el ahumador se haya enfriado completamente.
- No deje que el agua del contenedor se evapore completamente. Verifique el contenedor de agua al menos cada 2 horas y agregue agua si el nivel está bajo. Para agregar agua, consulte la sección “Cómo agregar más agua” de este manual.
- NO quite el agua del contenedor una vez retirados los alimentos. Deje que el ahumador se enfríe y que el agua se evapore.
- Antes de dejar desatendido el ahumador:
  - El ahumador debe estar frío.
  - Los restos de brasas y cenizas se deben retirar con cuidado, colocar en un contenedor metálico no combustible y empapar con agua.
  - Deje las brasas y cenizas empapadas con agua dentro de un contenedor no combustible durante 24 horas antes de desecharlas correctamente.
  - Utilice una manguera de jardín para mojar por completo la superficie debajo y alrededor del ahumador para apagar las cenizas y brasas que puedan haberse caído durante la cocción o la limpieza.
  - Las brasas y cenizas apagadas deben colocarse a una distancia segura de cualquier estructura y material combustible.

### **Avisos**

1. Los limpiadores abrasivos dañarán este producto.
2. Nunca use limpiador para horno para limpiar las piezas del ahumador.

### **Cómo limpiar las superficies**

1. Limpie todas las superficies con agua tibia y detergente suave o bicarbonato de sodio.
2. Para superficies difíciles de limpiar, utilice un desengrasante a base de cítricos y un cepillo de nailon.
3. Enjuague con agua y seque.

### **Consejos**

1. Mantenga cubierto el ahumador cuando no esté en uso para evitar que se oxide.
2. Aplicar una ligera capa de aceite vegetal líquido o en aerosol en toda la superficie interior del ahumador puede ayudar a evitar que se oxide.
  - a. Retire el contenedor de agua y la rejilla para carbón del ahumador.
  - b. Aplique una ligera capa de aceite vegetal líquido o en aerosol en toda la superficie interior del ahumador.

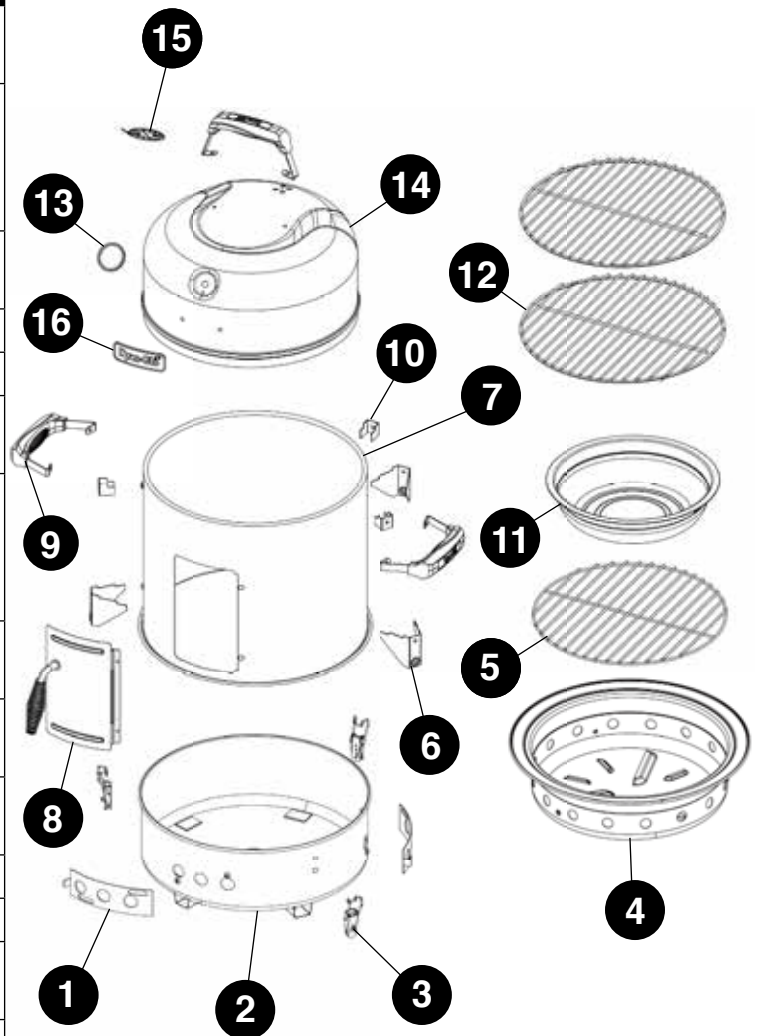
### PRECAUCIÓN:

- No aplique aceite vegetal en la rejilla para carbón ni en la bandeja para cenizas.

## LISTA DE PIEZAS DE REPUESTO

Para obtener piezas de repuesto, llame a nuestro Departamento de Atención al Cliente al 1-877-447-4768, de lunes a viernes de 8:30 a 16:30 (hora central estándar), o escriba a [customerservice@ghpgroupinc.com](mailto:customerservice@ghpgroupinc.com).

PIEZA	DESCRIPCIÓN	N.º DE PIEZA
1	Plato regulador inferior (izq./der.)	70 - 01 - 407
2	Sección inferior del ahumador sin bandeja para cenizas	70 - 01 - 408 (Verde) 70 - 01 - 479 (Negro)
3	Cerrojo de la estructura del ahumador (1 pieza)	70 - 01 - 409
4	Bandeja para cenizas	70 - 01 - 410
5	Rejilla para carbón	70 - 01 - 411
6	Abrazaderas de soporte inferiores (1 pieza)	70 - 01 - 412
7	Sección central del ahumador con puerta de acceso, manijas laterales o abrazaderas de soporte	70 - 01 - 413 (Verde) 70 - 01 - 480 (Negro)
8	Puerta de acceso con manija	70 - 01 - 414
9	Manija de la tapa y manijas laterales derecha/izquierda	70 - 01 - 415
10	Abrazaderas de soporte superiores (1 pieza)	70 - 01 - 416
11	Contenedor de agua	70 - 01 - 417
12	Rejilla para cocinar	70 - 01 - 418
13	Indicador de temperatura con tuerca	70 - 01 - 419
14	Conjunto de la tapa sin plato regulador, manija, placa ni indicador de temperatura	70 - 01 - 420 (Verde) 70 - 01 - 481 (Negro)
15	Plato regulador de la tapa	70 - 01 - 421
16	Placa Dyna-Glo*	70 - 01 - 441
n/a	Paquete de herramientas y tornillería	70 - 09 - 508
n/a	Manual de instrucciones	70 - 10 - 125



\*Herramientas y tornillería incluidas

## **GARANTÍA**

---

Esta unidad compacta vertical de ahumador y parrilla a carbón está garantizada contra piezas rotas o dañadas en el momento de la compra. Todas las piezas tienen una garantía limitada por un (1) año, a excepción del contenedor de agua y el compartimento para viruta, que tienen una garantía contra defectos por 90 días. La pintura tiene una garantía contra defectos por 90 días, a excepción del óxido, que podría aparecer después de varios usos.

Esta garantía no cubre los daños o problemas relacionados con negligencia, uso indebido o modificaciones realizadas al artefacto. El trabajo de reparación no está cubierto.

Todas las piezas que cumplan con los requisitos de la garantía serán enviadas sin cargo a través de un medio seleccionado por GHP Group Inc. (envíos terrestres, correo de EE. UU. o servicio de encomiendas ÚNICAMENTE). Los cargos de entrega especial (es decir, entrega de segundo día, antes del mediodía, etc.) serán responsabilidad del consumidor.

Todos los reclamos bajo la garantía solo se aplican al comprador original y requieren una prueba de la compra que verifique la fecha de compra. No devuelva piezas a la dirección de GHP sin antes obtener el número de autorización de devolución emitido por nuestro servicio al cliente. Este servicio está disponible a través del número gratuito 1-877-447-4768, de lunes a viernes de 8:30 a 16:30 (hora central estándar).

Algunos estados no permiten la exclusión o limitación de daños incidentales o indirectos por el tiempo que dura la garantía implícita. Por lo tanto, es posible que las limitaciones o exclusiones mencionadas no se apliquen en su caso. Esta garantía otorga derechos legales específicos, y podría haber otros derechos aplicables según el estado.

GHP Group Inc.  
6440 W. Howard Street  
Niles, IL, EE. UU.  
60714-3302

Nombre del artículo: Unidad compacta vertical de ahumador y parrilla a carbón  
N.º de modelo: DGX376VCS / DGX376VCS-D / DGX376BCS / DGX376BCS-D