

This Owner's Manual is provided and hosted by [Appliance Factory Parts](#).



Pleasant Hearth LI-24-1 Owner's Manual

[Shop genuine replacement parts for Pleasant Hearth
LI-24-1](#)



[Find Your Pleasant Hearth Fireplace Parts - Select From 178 Models](#)

----- Manual continues below -----

Pleasant Hearth™



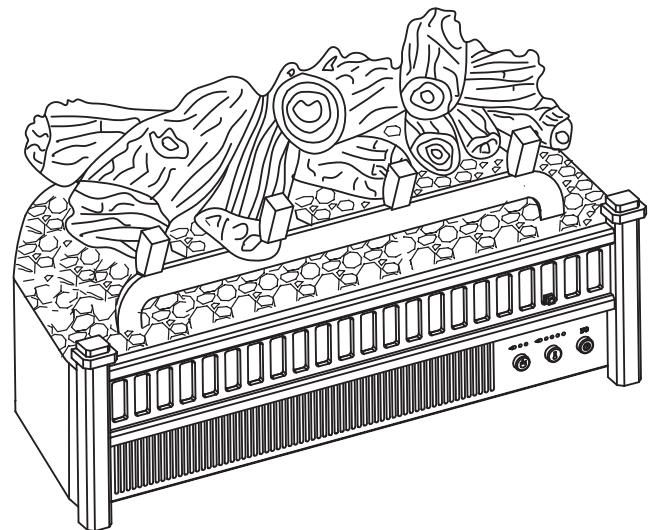
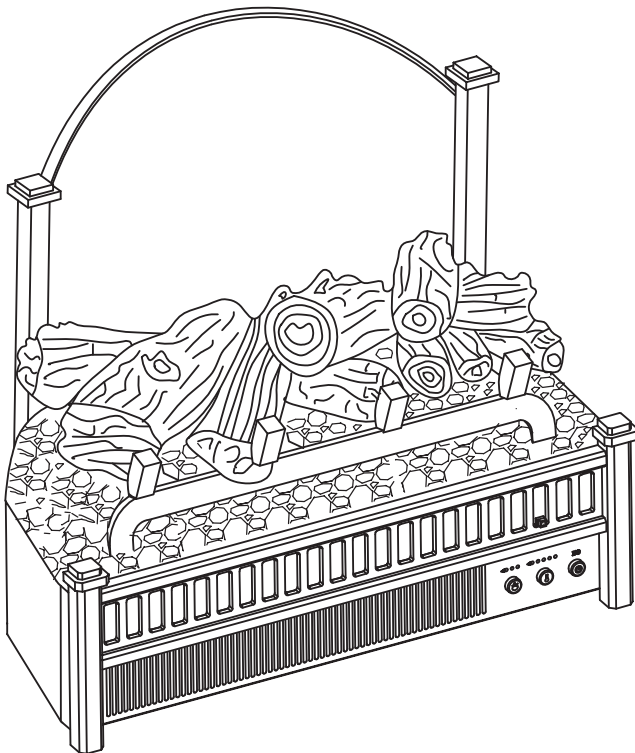
Warming Your Home. Warming Your Heart.

HOMEOWNER'S INSTALLATION AND OPERATING INSTRUCTIONS

**PLEASANT HEARTH ELECTRIC LOG SET INSERT/
ELECTRIC LOG SET INSERT WITH FIREBACK
MODEL/MODÈLE/MODELO #LI-24 / LH-24 / GEL26I13 / GEL25H12**

Français p. 17

Español p. 35



IMPORTANT INSTRUCTIONS

PLEASE READ THIS MANUAL BEFORE INSTALLING AND USING APPLIANCE

WARNING!

IF THE INFORMATION IN THIS MANUAL IS NOT FOLLOWED EXACTLY,
AN ELECTRICAL SHOCK OR FIRE MAY RESULT
CAUSING PROPERTY DAMAGE, PERSONAL INJURY OR LOSS OF LIFE.

INSTALLER: Leave this manual with the appliance.
CONSUMER: Retain this manual for future reference.



Questions, problems, missing parts? Before returning to your retailer, call our customer service department at 877-447-4768 8:30 a.m. – 4:30 pm CST, Monday – Friday. or email us at customerservice@ghpgroupinc.com

6440 W. Howard St.
Niles, IL 60714-3302
877-447-4768

Rev. 5/13

20-10-105

TABLE OF CONTENTS

Safety Information	3
Installation Instructions	6
Operation Instructions	9
Care and Maintenance	11
Electric Wiring Diagram	12
Troubleshooting	13
Warranty	14
Replacement Parts List	15

**Thank you and congratulations on your purchase of a
GHP Group electric log set with heater.**




IMPORTANT: Read all instructions and warnings carefully before starting Installation. Failure to follow these instructions may result in a possible electric shock, injury to persons, fire hazard and will void the warranty.

Please read the Installation & Operating Instructions before using this appliance.



Please read and understand this entire manual before attempting to assemble, operate or install the product. If you have any questions regarding the product, please call customer service at (877) 447-4768, 8:30 a.m. – 4:30 p.m., CST, Monday – Friday.

1. Read all instructions before using this appliance.
2. This appliance is hot when in use. To avoid burns, do not let bare skin touch hot surfaces. If provided, use handles when moving this appliance. Keep combustible materials, such as furniture, pillows, bedding, papers, clothes and curtains at least 3 ft. (914 mm) from the front of this appliance.
3.  **CAUTION: Extreme caution is necessary when any heater is used by or near children or invalids and whenever the heater is left operating unattended.**
4. If possible always unplug this appliance when not in use.
5. Do not operate any heater with a damaged cord or plug or after the appliance malfunctions, has been dropped or damaged in any manner.
6. Any repairs to this appliance should be carried out by a qualified service person.
7. Under no circumstances should this appliance be modified. Parts having to be removed for servicing must be replaced prior to operating this appliance again.
8. Do not use outdoors.
9. This heater is not intended for use in bathrooms, laundry areas and similar indoor locations. Never place this appliance where it may fall into a bathtub or other water container.
10. Do not run cord under carpeting. Do not cover cord with throw rugs, runners or the like. Arrange cord away from traffic areas and where it will not be tripped over.
11. To disconnect this appliance, turn controls to the off position, then remove plug from outlet.
12. Connect to properly grounded outlets only.
13. This appliance, when installed must be electrically grounded in accordance with local codes, with the current CSA C22.1 Canadian Electrical codes or for USA installations, follow local codes and the National Electric Code, ANSI/NFPA No. 70.
14. Do not insert or allow foreign objects to enter any ventilation or exhaust opening as this may cause an electric shock, fire or damage the appliance.
15. To prevent possible fire, do not block air intakes or exhaust in any manner. Do not use on soft surfaces, like a bed, where openings may become blocked. Do not place unit on carpeting or rugs.
16. This appliance has hot and arcing or sparking parts inside. Do not use it in areas where gasoline, paint or flammable liquids are used or stored. This appliance should not be used as a drying rack for clothing, nor should Christmas stockings or decorations be hung on or near it.
17. Use this appliance only as described in this manual. Any other use not recommended by the manufacturer may cause fire, electric shock or injury to persons.
18. Avoid the use of an extension cord because of the risk of overheating the cord and the risk of fire. Extension cords are for temporary use only. If an extension cord must be used, it must be UL/CSA certified, rated at 15A (1875W), 125V maximum with 14 AWG minimum and constructed of two current carrying conductors with ground. A heavy duty extension cord with the shortest length possible for the connection is recommended and must not be longer than 50 ft. (15.2 m). Do not coil or cover the extension cord.

! DANGER



Electrical Connection

A 15-Amp, 120-Volt, 60 Hz circuit with a properly grounded outlet is required. Preferably, the log set will be on a dedicated circuit as other appliances on the same circuit may cause the circuit breaker to trip or the fuse to blow when the heater is in operation. The unit comes standard with a 6 ft. (1.8 m) long three wire cord, exiting the right side of the log set. Plan the installation to avoid the use of an extension cord. Extension cords are for temporary use only. If an extension cord must be used, it must be UL/CSA certified, rated at 15A (1,875W), 125V maximum with 14 AWG minimum and constructed of two current carrying conductors with ground. A heavy duty extension cord with the shortest length possible for the connection is recommended and must not be longer than 50 ft. (15.2 m). Do not coil or cover the extension cord.



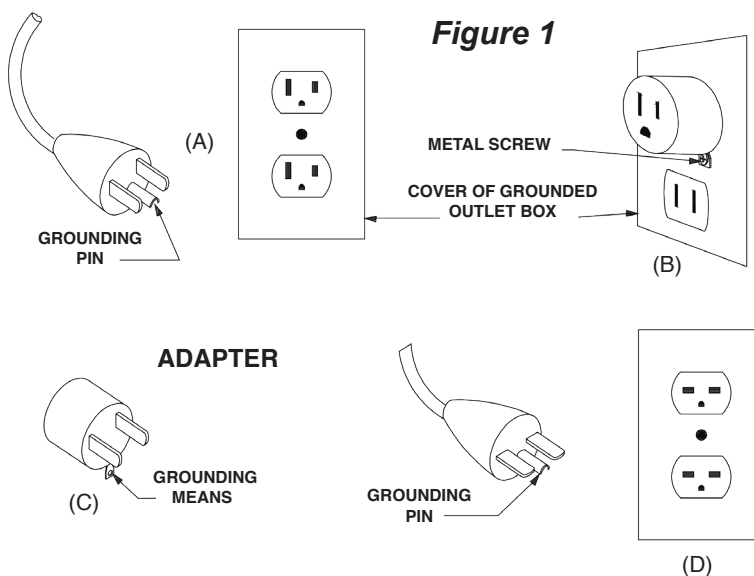
Electrical outlet wiring must comply with local building codes and other applicable regulations to reduce the risk of fire, electrical shock and injury to persons.



Do not use this log set if any part of it has been under water. Immediately call a qualified service technician to inspect the log set and replace any part of the electrical system which has been under water.

Grounding Instructions

This heater is for use on 120 volts. The cord has a plug as shown at (A) in Figure 1. An adapter as shown at (C) is available for connecting three-blade grounding-type plugs to two-slot receptacles. The green grounding lug extending from the adapter must be connected to a permanent ground such as a properly grounded outlet box. The adapter should not be used if a three-slot grounded receptacle is available.



NOTE: Adapters are NOT for use in Canada.



SAFETY INFORMATION

Remote Control

This equipment has been tested and found to comply with the limits for a Class B digital device, pursuant to Part 15 of the FCC Rules and Industry Canada ICES-003. These limits are designed to provide reasonable protection against harmful interference in a residential installation. This equipment generates, uses, and can radiate radio frequency energy and, if not installed and used in accordance with the instruction manual, might cause harmful interference to radio communications.

However, there is no guarantee that interference will not occur in a particular installation. If this equipment does cause harmful interference to radio or television reception, which can be determined by turning the equipment off and on, the user is encouraged to try to correct the interference by one or more of the following measures:

- Reorient or relocate the receiving antenna.
- Increase the separation between the equipment and receiver.
- Connect the equipment into an outlet on a circuit different from that to which the receiver is connected.
- Consult the dealer or an experienced radio/TV technician for help.

The remote control requires 1 Lithium Coin Cell Battery (size CR2025), which is included.

DO NOT mix old and new batteries.



DO NOT use rechargeable silver oxide cell batteries with remote control unit.

DO NOT mix alkaline, standard (Carbon-Zinc), or rechargeable (Nickel-Cadmium) batteries.

DO NOT dispose of batteries in fire. Improper disposal may cause batteries to leak or explode.

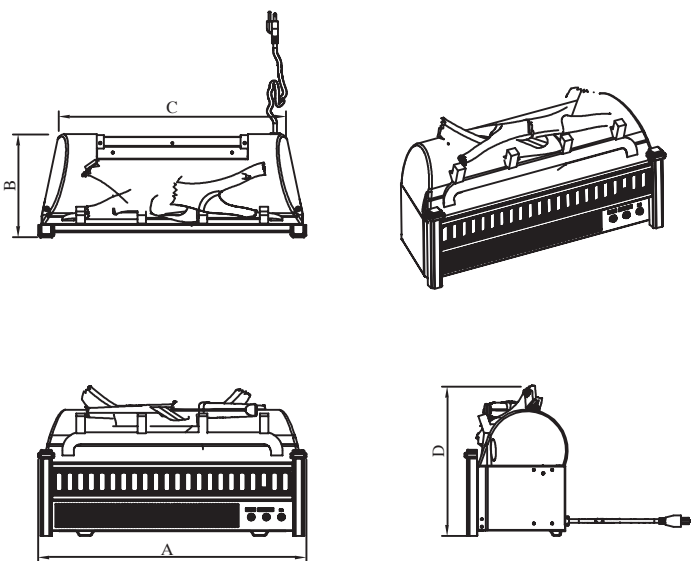
CAUTION

PRODUCT DAMAGE MAY OCCUR.

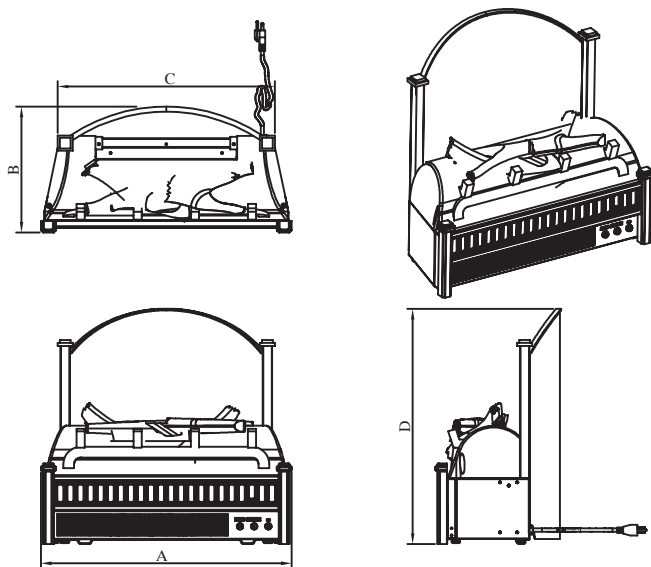
Never attempt to disassemble or alter the product in any way not instructed by this manual.

INSTALLATION INSTRUCTIONS

Log Set Dimensions



Model #LH-24 / GEL25H12



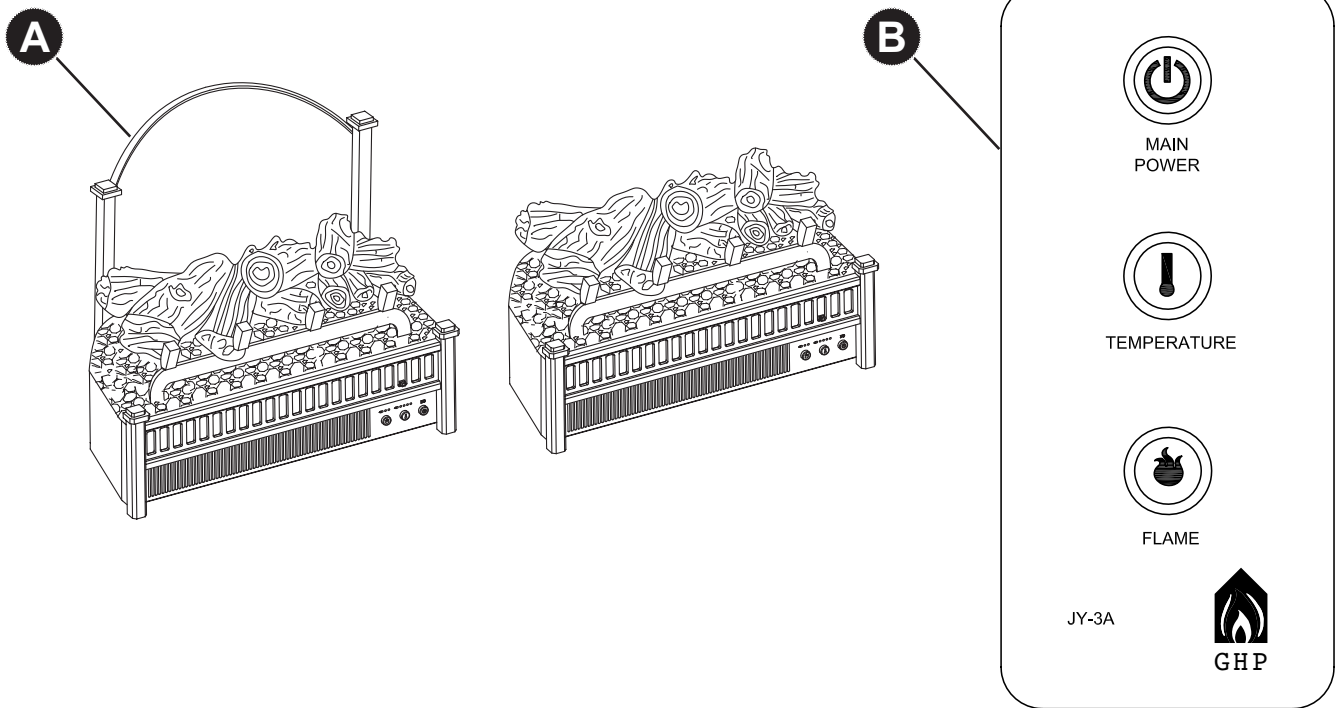
Model #LI-24 / GEL26I13

Ref.	Log	Insert
A	23"(584mm)	
B	8-3/4"(220mm)	11-1/2"(292mm)
C	19-1/2"(495mm)	20"(508mm)
D	13" (330mm)	21-3/4"(502mm)

Technical Specifications	
VOLTAGE	120 V AC
FREQUENCY	60Hz
MAX AMPS	12A
HEATER RATING	1350W

INSTALLATION INSTRUCTIONS

Package Contents



PART	DESCRIPTION	QUANTITY
A	Electric Log Set with Heater	1
B	Infrared Remote Control	1

INSTALLATION INSTRUCTIONS

Your new electric log set with heater can be installed in several ways:

- Into an existing fireplace.
- On a solid floor up against a solid wall.
- Into any opening or enclosure that meets the clearances to combustibles listed below.

Simply place your electric log set in the desired location, observing the clearances and notes in this manual, and plug the cord into a minimum 15 amp, 120 Volt electrical outlet. Use an extension cord rated for a minimum of 1,875 watts if necessary.

Note: For best effect, install unit in an area out of direct sunlight and about 3-3/8" (86mm) away from a wall.

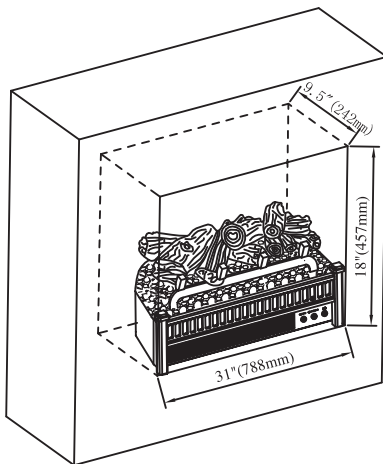
Warning: Do not install unit on carpeting, rugs, beds, blankets, pillows etc. Keep combustible materials such as furniture, bedding, papers, clothes and curtains at least 3 feet (914 mm) from the log set.

Clearances to Combustibles

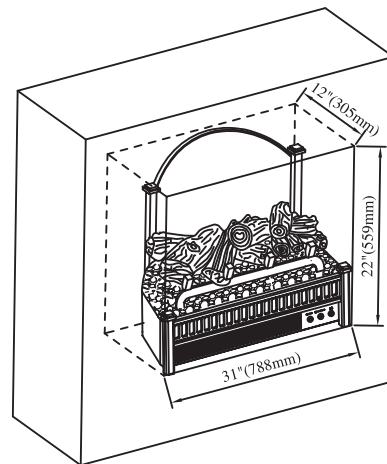
Front: 36" (915mm) Rear: 3/4" (19mm) Sides: 4-1/8" (105mm)

Top: LH-24 / GEL25H12 - 5" (127mm) LI-24 / GEL26I13 - 3/8" (10mm)

Minimum Enclosure Size



Model #LH-24 /
GEL25H12



Model #LI-24 / GEL26I13

Unpacking:

Remove the unit from the carton and make sure that all parts are present and carefully check for damage. If any part is missing or damaged, do not attempt to assemble or use the product. Contact Customer Service for help at **(877) 447-4768**.

DO NOT dispose of packaging until you are satisfied with your log set.

DO NOT return the product to the store before calling (877) 447-4768 for assistance.

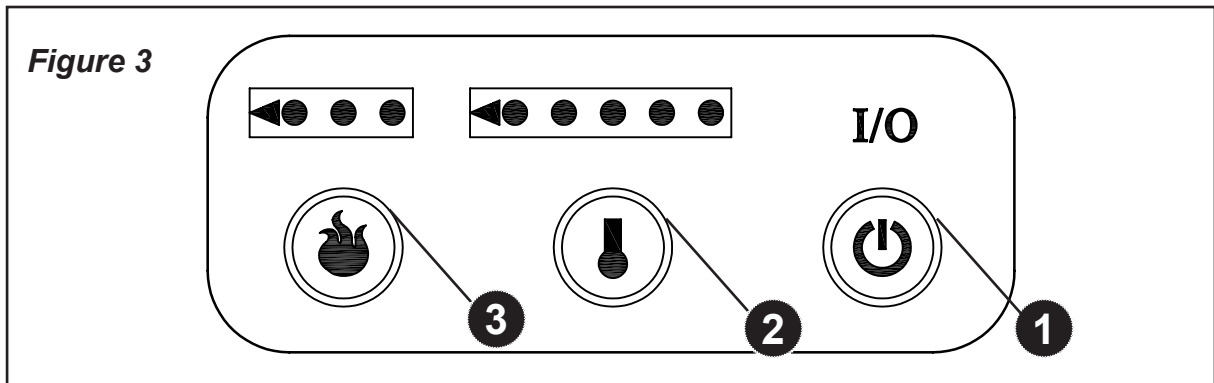
OPERATING INSTRUCTION

The log set control functions can be accessed in two (2) ways:

- Using the control panel buttons, located on the lower right-hand corner of the log set.
- Using the multifunction remote control unit.

The log set conveniently features separate controls for flame effect and for heater control. This allows you to operate the unit in two (2) different modes:

- **As a full-featured log set** - both flame effect and heater are on. This mode allows you to enjoy the look of the fire along with the heat output of a heater.
- **As a visual effect** - only the flame effect is on, the heater is off. We recommend this mode for warm weather application, when you want the ambiance of a fire, without any heat output.



- 1 Main Power Button:**

This button supplies power to all the functions of the log set. The Main power button must be in the **ON** position, either from the remote or controls on the log set for the functions to work.
- 2 Heater Control Button:**

This button controls the heater **ON/OFF** and 5 temperature modes from Low to High. When the heater is first turned on, it will come on at the lowest room temperature setting. The log set will remember the last heat setting and in later use the heater will start at that setting, unless power to the unit has been interrupted. Each time the Temperature button is pressed, the temperature set point increases, allowing you to adjust the ambient temperature.
- 3 Flame Control button:**

This button controls the brightness of the flame effect with settings at High, Medium and Low. When the log set is first turned on, the flame will come on at the highest setting. The log set will remember the last flame setting used and in later use the flame brightness will start at that setting, unless power to the unit has been interrupted. Each time the Flame button is pressed, the flame brightness decreases. The only way to turn off the flame effect completely is to turn off the Main Power button.

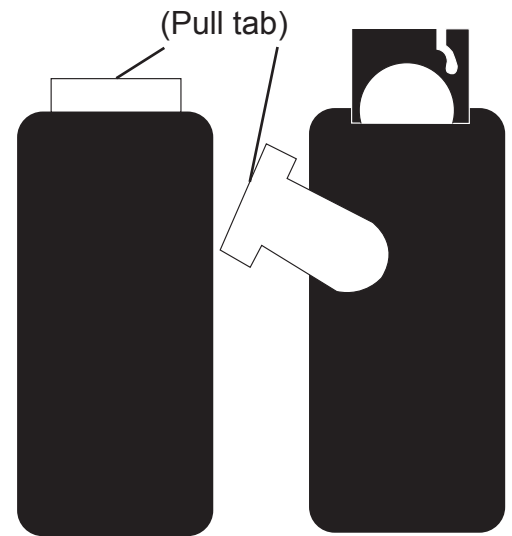
OPERATING INSTRUCTION

The infrared remote control relies on a line of sight and must be pointed at the controls of the log set to work. The remote control unit has the controls required to turn ON/OFF both the main power and the heater. If you prefer to use the control buttons on the log set unit itself, they are on the lower right corner of the unit. The layout of the buttons and remote control unit can be seen in Figures 3 and 5, respectively.

1. Plug your log set into a 15-amp, 120-volt power outlet.
2. Turn the power on. Flame will show on the wall behind the log set.
3. Remove plastic tab from inside battery compartment to activate remote control.
4. Point the remote control directly at the control buttons of the log set and use the buttons to operate the log set.

Figure 4

The plastic tab inside the battery compartment **MUST** be removed before remote control will operate.



1 Main Power Button:

This button supplies power to all the functions of the log set. The main power button must be in the **ON** position, either from the remote or the controls on the log set for the functions to work.

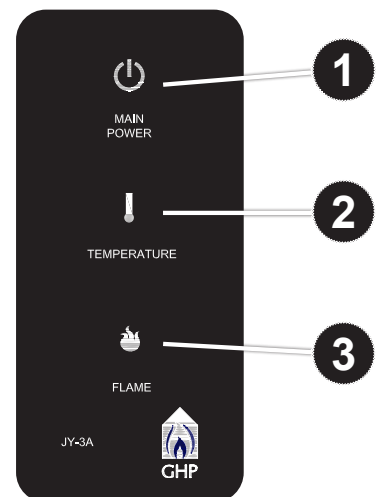
2 Heater Control Button:

This button controls the heater **ON/OFF** and 5 temperature modes from Low to High. When the heater is first turned on, the heater will come on at the lowest room temperature setting. The log set will remember the last heat setting and in later use the heater will start at that setting, unless power to the unit has been interrupted. Each time the Temperature button is pressed, the temperature set point increases, allowing you to adjust the ambient temperature.

3 Flame Control button:

This button controls the brightness of the flame effect with settings at High, Medium and Low. When the log set is first turned on, the flame will come on at the highest setting. The log set will remember the last flame setting used and in later use the flame brightness will start at that setting, unless power to the unit has been interrupted. Each time the Flame button is pressed, the flame brightness decreases. The only way to turn off the flame effect completely is to turn off the Main Power button.

Figure 5



CARE AND MAINTENANCE

Before attempting ANY maintenance:

1. Turn off power to the unit.
2. Unplug the power cord from outlet.
3. Let log set cool if it has been operating.

Maintenance of Motors:

Always disconnect the appliance from the main power supply and allow it to cool before any servicing operation.

The motors used on the fan heater and flame blower are pre-lubricated for extended bearing life and require no further lubrication. However, periodic cleaning/vacuuming of the appliance around the air intake and exhaust, as well as the fan heater is recommended. For heavy or continuous use, periodic cleaning must be done more frequently. If the heater blows alternating cold and warm air, check the fan for free movement and for debris restricting air flow. If the fan does not move freely, the unit must be turned off and the fan replaced immediately in order to prevent further damage to the unit.

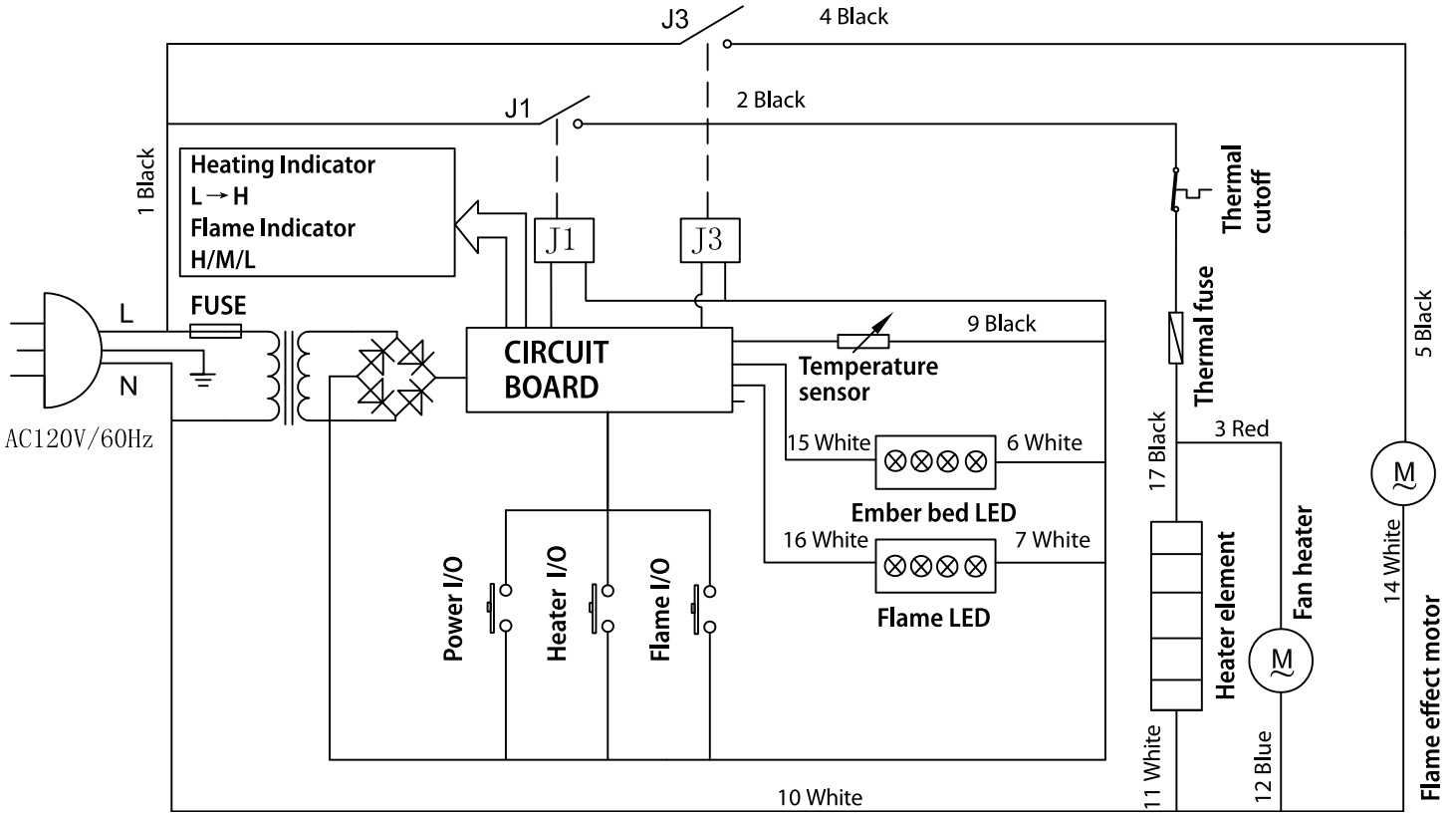
Cleaning:

Cleaning of the log set is to be done only with a vacuum cleaner or by using a soft cloth, slightly dampened in water (if needed, a small amount of dish soap can be added to the water) and dried using a clean, dry soft cloth. **DO NOT** use any abrasive household cleaners as these products will damage the unit.

ELECTRIC WIRING DIAGRAM

Any electrical repairs or rewiring of this unit should be carried out by a licensed electrician in accordance with national and local codes.

CIRCUIT DIAGRAM



⚠ DANGER



Disconnect power before servicing.



Any electrical re-wiring of this appliance must be done by a qualified electrician. This wiring must be done in accordance with local codes and/or in Canada with the current CSA C22.1 Canadian Electrical Code, and for US installations, the National Electrical Code ANSI/NFPA NO 70.



If repairing or replacing any electrical component or wiring, the original wire routing, color coding and securing locations must be followed.

TROUBLESHOOTING

If you have any questions regarding the product, please call customer service at (877) 447-4768 8:30 a.m. – 4:30 p.m. CST, Monday – Friday.

Problem	Possible Cause	Corrective Action
Log set does not operate; the ON/OFF power light on the control panel is not lit.	<ol style="list-style-type: none"> 1. The log set is not plugged in. 2. A circuit breaker is tripped or a fuse blown. 3. Defective ON/OFF switch. 4. Loose wiring. 	<ol style="list-style-type: none"> 1. Make sure the log set is plugged in to a standard 120V outlet. 2. Check additional appliances on the circuit; ideally the log set should be on a dedicated 15-amp circuit. 3. Call customer service: (877) 447-4768. 4. Call customer service: (877) 447-4768.
Power light is ON but the back flame is not bright/visible.	<ol style="list-style-type: none"> 1. Incorrect operation. 2. The unit is too far from a wall. 3. LED strip not functioning. 4. Loose wiring. 	<ol style="list-style-type: none"> 1. Refer to operating instructions. 2. Reposition the unit closer to a wall. 3. Call customer service: (877) 447-4768. 4. Call customer service: (877) 447-4768.
Power light is ON but the ember bed flame is not flickering.	<ol style="list-style-type: none"> 1. LED strip not functioning. 2. Loose wiring. 	<ol style="list-style-type: none"> 1. Call customer service: (877) 447-4768. 2. Call customer service: (877) 447-4768.
Excessive noise when the flame is ON but the heater OFF.	<ol style="list-style-type: none"> 1. Rotating flame reflector shaft rubbing against housing. 2. Defective flame reflector shaft motor. 	<ol style="list-style-type: none"> 1. Open back of electric log set and reposition flame reflector shaft. Turn off unit prior to servicing. 2. Call customer service: (877) 447-4768.
Heater is not operating.	<ol style="list-style-type: none"> 1. Incorrect operation. 2. Defective heater switch. 3. Defective heater assembly. 4. Loose wiring. 	<ol style="list-style-type: none"> 1. Refer to operating instructions. 2. Call customer service: (877) 447-4768. 3. Call customer service: (877) 447-4768. 4. Call customer service: (877) 447-4768.
Excessive noise when the heater is operating.	<ol style="list-style-type: none"> 1. Dirty or clogged blower. 2. Defective heater assembly. 	<ol style="list-style-type: none"> 1. Refer to Maintenance of Motors in Care and Maintenance. 2. Call customer service: (877) 447-4768.

WARRANTY

The manufacturer warrants that your new electric log set is free from manufacturing and material defects for a period of one year from date of purchase, subject to the following conditions and limitations.

1. This electric log set must be installed and operated at all times in accordance with the instructions furnished with the product. Any alteration, willful abuse, accident, or misuse of the product shall nullify this warranty.
2. This warranty is non-transferrable, and is made to the original owner, provided that the purchase was made through an authorized supplier of the manufacturer.
3. This warranty is limited to the repair or replacement of part(s) found to be defective in material or workmanship, provided that such part(s) have been subjected to normal conditions of use and service, after said defect is confirmed by the manufacturer's inspection.
4. The manufacturer may, at its discretion, fully discharge all obligations with respect to this warranty by refunding the wholesale price of the defective part(s).
5. Any installation, labor, construction, transportation, or other related costs/expenses arising from defective part(s), repair, replacement, or otherwise of same, will not be covered by this warranty, nor shall the manufacturer assume responsibility for same. Further, the manufacturer will not be responsible for any incidental, indirect, or consequential damages, except as provided by law.
6. All other warranties - expressed or implied - with respect to the product, its components and accessories, or any obligations/liabilities on the part of the manufacturer are hereby expressly excluded.
7. The manufacturer neither assumes, nor authorizes any third party to assume, on its behalf, any other liabilities with respect to the sale of this product.
8. The warranties as outlined within this document do not apply to non-manufacturer accessories used in conjunction with the installation of this product.

This warranty is void if:

- a) The log set has been operated in atmospheres contaminated by chlorine, fluorine or other damaging chemicals.
- b) The log set is subjected to prolonged periods of dampness or condensation.
- c) Any alteration, willful abuse, accident, or misuse of the product.

IF WARRANTY SERVICE IS NEEDED . . .

- 1) Contact customer service. Make sure you have your warranty, your sales receipt, and the model/serial number of your product.
- 2) DO NOT ATTEMPT TO DO ANY SERVICE WORK YOURSELF.

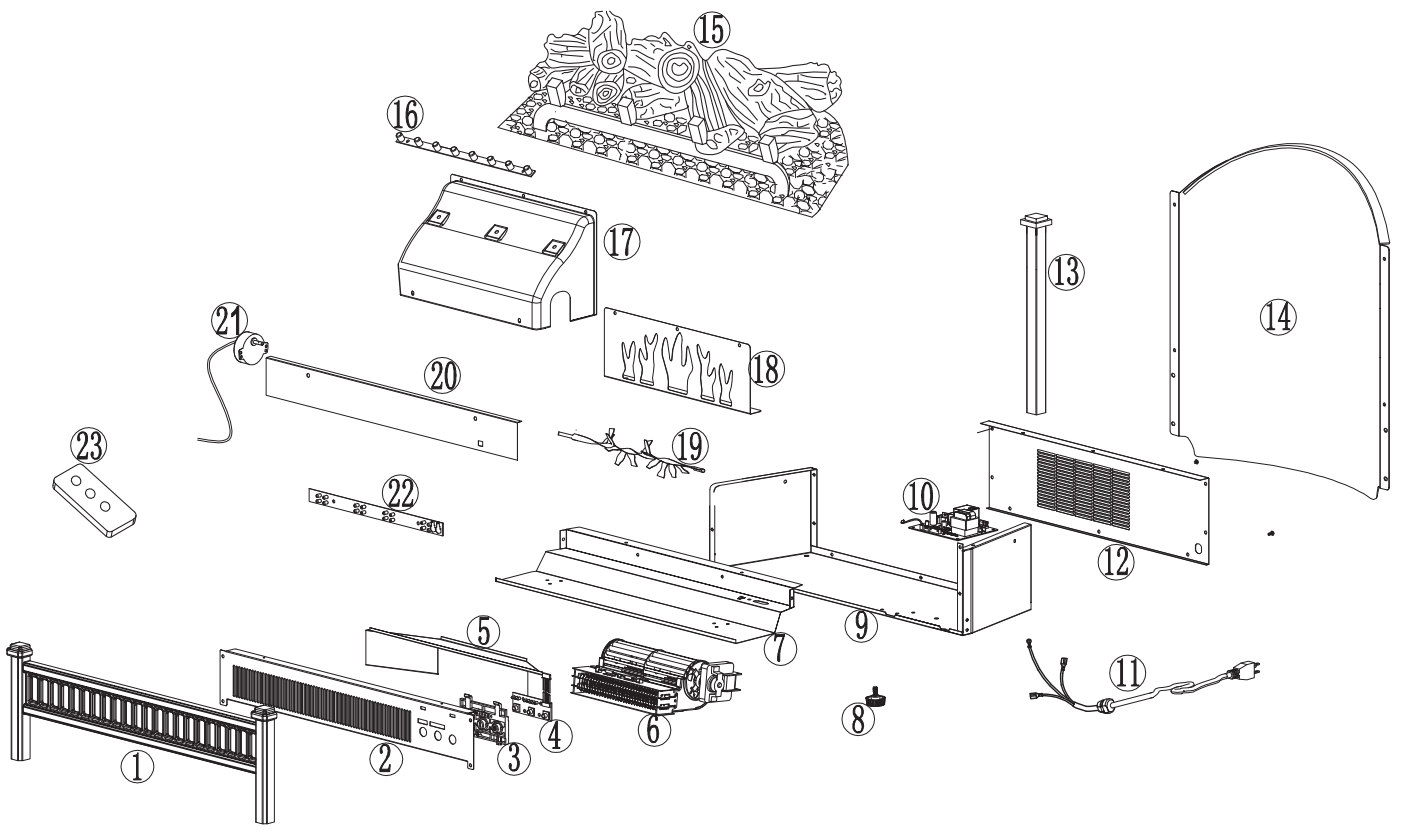


GHP Group, Inc.
6440 W. Howard St.
Niles, IL 60714-3302
877-447-4768

REPLACEMENT PARTS LIST

For replacement parts, call our customer service department at (877) 447-4768,
8:30 a.m. – 4:30 p.m. CST, Monday – Friday.

Ref.	Description	Model #LH-24 / GEL25H12	Model #LI-24 / GEL26I13
1	Fence	EFLH24359AC	EFLH24359AC
2	Front panel	EFLH24358AC	
3	Plastic button panel	EFLH24360AC	
4	Control panel	EF23023102X	
5	Channel	EFLH24357AC	
6	Heater components	EFLH24369AC	
7	Support panel	EFLH24353AC	
8	Adjustable leg	EFLH24364AC	
9	Bottom case components	EFLH24100AC	
10	Main board(PCB)	EF33503AC-log	
11	Power cord	EFLH24372AC	
12	Back panel	EFLH24350AC	
13	Square tube	/	EFLI24350AC
14	Fireback		EFLI24100AC
15	Log Set	EFLH24361AC	EFLI24361AC
16	LED ARRAY II (log set light)	EF23023104X	
17	Plastic lining	EFLH24362AC	
18	Flame panel	EFLH24354AC	
19	Flame reflector	EFLH24367AC	
20	Plastic panel	EFLH24363AC	
21	Synchronous motor	EFLH24368AC	
22	LED ARRAY I (flame light)	EF23023103X	
23	Remote control	EF33510AS	



Pleasant Hearth™



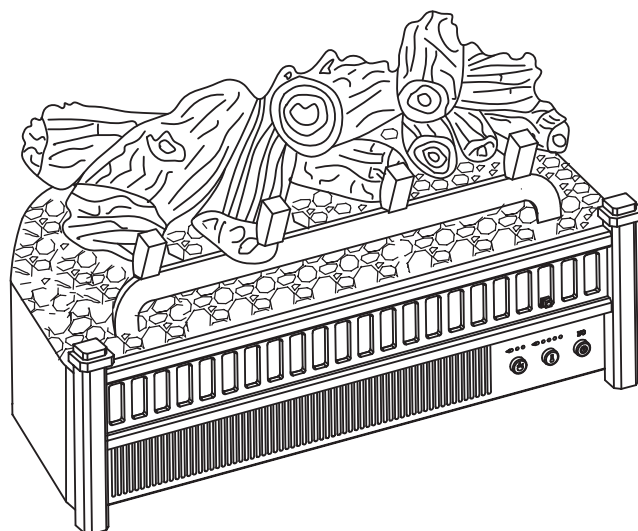
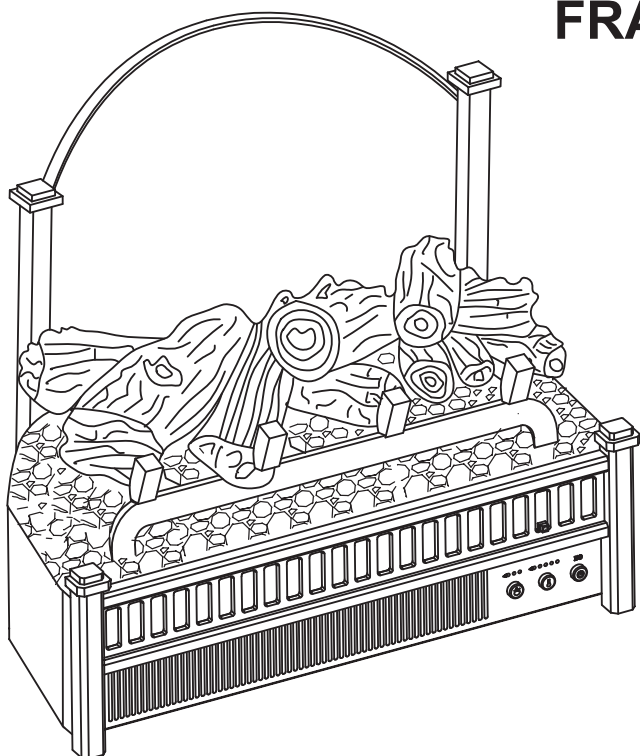
Warming Your Home. Warming Your Heart.

DIRECTIVES D'INSTALLATION ET D'UTILISATION

JEU DE BÛCHES ÉLECTRIQUE ENCASTRABLE PLEASANT HEARTH/ JEU DE BÛCHES ÉLECTRIQUE ENCASTRABLE AVEC PANNEAU ARRIÈRE

MODÈLE N° #LI-24 / LH-24 / GEL26I13 / GEL25H12

FRANÇAIS



CONSIGNES IMPORTANTES

VEUILLEZ LIRE CE MANUEL AVANT D'INSTALLER OU D'UTILISER LE FOYER.

AVERTISSEMENT!

RESPECTEZ SCRUPULEUSEMENT LES DIRECTIVES DU PRÉSENT MANUEL
POUR PRÉVENIR LES CHOC ÉLECTRIQUES, LES INCENDIES, LES
DOMMAGES AINSI QUE LES BLESSURES GRAVES OU MORTELLES.

REMARQUE À L'INTENTION DE L'INSTALLATEUR : Veuillez laisser ce manuel au propriétaire.

REMARQUE À L'INTENTION DU CLIENT : Veuillez conserver ce manuel pour vous
y référer ultérieurement.

Des questions, des problèmes, des pièces manquantes? Avant de retourner
l'article au détaillant, appelez notre service à la clientèle au 877 447 4768,
entre 8 h 30 et 16 h 30, HNC, du lundi au vendredi, ou envoyez-nous un courriel à
l'adresse suivante : customerservice@ghpgroupinc.com.



6440 W. Howard St.
Niles, IL 60714-3302
877-447-4768

Rev. 5/13

TABLE DE MATIÈRES

Consignes de sécurité	20
Directives d'installation	24
Directives d'utilisation	28
Entretien	30
Schéma de câblage	31
Dépannage	32
Garantie	34
Liste des pièces de rechange	35

Nous vous remercions et vous félicitons d'avoir acheté un ensemble de bûches avec radiateur électrique de GHP Group.




IMPORTANT : Lisez attentivement toutes les directives et les avertissements avant de procéder à l'installation. Le non-respect de ces directives peut provoquer un choc électrique, des blessures et un incendie, et annule la garantie.

Veillez lire les directives d'installation et d'utilisation avant d'utiliser ce jeu de bûches.



Veillez vous assurer de lire et de comprendre l'intégralité de ce manuel avant d'assembler, d'utiliser ou d'installer ce produit. Si vous avez des questions concernant ce produit, veuillez téléphoner au service à la clientèle au (877) 447-4768, entre 8 h 30 et 16 h 30, HNC, du lundi au vendredi.

1. Lisez toutes les directives avant d'utiliser ce jeu de bûches.
2. Ce jeu de bûches est chaud lorsqu'il est en fonction. Afin d'éviter les brûlures, ne touchez pas aux surfaces chaudes. Si le jeu de bûches est muni de poignées, servez-vous des poignées pour le déplacer. Assurez-vous que les matières combustibles, tels que les meubles, les oreillers, la literie, le papier, les vêtements et les rideaux, se trouvent au moins 914 mm (3 pi) de l'avant du électroménager.
3.  **MISE EN GARDE : Faites preuve d'une extrême prudence lorsqu'un radiateur est utilisé par ou à proximité des enfants ou des personnes handicapées et lorsque vous laissez le radiateur en fonction sans surveillance.**
4. Dans la mesure du possible, débranchez toujours ce électroménager lorsqu'il n'est pas utilisé.
5. N'utilisez pas un radiateur muni d'un cordon ou d'une fiche endommagé, qui a déjà subi une défaillance, qui est déjà tombé ou qui a été endommagé de quelque façon que ce soit.
6. Confiez toute réparation de ce électroménager à un technicien qualifié.
7. Ne modifiez jamais ce électroménager. Remettez en place les pièces qui doivent être retirées pour l'entretien avant d'utiliser le électroménager de nouveau.
8. N'utilisez pas ce électroménager à l'extérieur.
9. Le radiateur n'est pas conçu pour être utilisé dans une salle de bains, une salle de lavage ou tout autre endroit humide semblable. Ne placez jamais ce électroménager en un endroit où il pourrait tomber dans une baignoire ou un autre contenant rempli d'eau..
10. Évitez d'acheminer le cordon sous un tapis. Ne couvrez pas le cordon avec une carpe, un tapis de passage ou un autre article semblable. Placez le cordon dans un endroit peu passant et où il ne pourra pas être accroché.
11. Pour débrancher ce électroménager, tournez les commandes en position d'arrêt, puis retirez la fiche de la prise.
12. Branchez le cordon uniquement à une prise correctement mise à la terre.
13. Lors de l'installation, veillez à ce que le électroménager soit mis à la terre conformément aux codes locaux, à la plus récente version du Code canadien de l'électricité, CSA C22.1 ou, dans le cas des installations aux É.-U., aux codes locaux et au code national de l'électricité, ANSI/NFPA N° 70.
14. N'insérez jamais un objet, quel qu'il soit, dans les ouvertures de ventilation ou de sortie d'air du électroménager afin de prévenir les dommages ainsi que les risques de choc électrique et d'incendie.
15. Afin de prévenir les risques d'incendie, ne bloquez jamais les prises d'entrée ou de sortie d'air



CONSIGNES DE SÉCURITÉ

de quelque façon que ce soit. Ne placez pas le électroménager sur une surface molle, comme un lit, car les ouvertures pourraient se bloquer. N'installez pas l'appareil sur la moquette ni un tapis.

16. Ce électroménager renferme des pièces chaudes et qui produisent des arcs électriques ou des étincelles. N'utilisez pas le électroménager là où de l'essence, de la peinture ou des liquides inflammables sont utilisés ou entreposés. Ce électroménager et ses environs ne doivent pas servir de support de séchage pour les vêtements ni à accrocher des bas de Noël ou des décorations.
17. N'utilisez ce électroménager que pour l'usage prévu dans ce manuel. Toute autre utilisation du électroménager qui n'est pas prévue par le fabricant peut provoquer un incendie, un choc électrique ou des blessures.
18. Évitez d'utiliser une rallonge car elle pourrait surchauffer et présenter des risques d'incendie. Les rallonges ne servent qu'à un usage temporaire. Si une rallonge doit être utilisée, assurez-vous qu'il s'agit d'une rallonge certifiée UL/CSA d'une intensité nominale de 15 A (1 875 watts), 125 V maximum, d'un calibre américain des fils minimal de 14 et dotée de deux conducteurs de courant et d'une mise à la terre. Nous vous recommandons d'utiliser une rallonge robuste aussi courte que possible, d'au plus 15,2 m (50 pi). N'enroulez pas la rallonge et ne la couvrez pas.

CONSERVEZ CES DIRECTIVES

! DANGER



Branchement électrique

Un circuit de 15 A, 120 V, 60 Hz correctement mis à la terre est nécessaire. Il est recommandé de réserver un circuit au jeu de bûches car d'autres appareils alimentés par le même circuit pourraient causer le déclenchement du disjoncteur ou faire griller le fusible lorsque le radiateur est en fonction. Le électroménager est muni d'un cordon trifilaire de 1,8 m (6 pi) qui se trouve du côté droit du jeu de bûches. Planifiez l'installation pour éviter d'utiliser une rallonge. Les rallonges ne servent qu'à un usage temporaire. Si une rallonge doit être utilisée, assurez-vous qu'il s'agit d'une rallonge certifiée UL/CSA d'une intensité nominale de 15 A (1 875 watts), 125 V maximum, d'un calibre électroménager américain des fils minimal de 14 et dotée de deux conducteurs de courant et d'une mise à la terre. Nous vous recommandons d'utiliser une rallonge aussi courte que possible, d'au plus 15,2 m (50 pi). N'enroulez pas la rallonge et ne la couvrez pas.



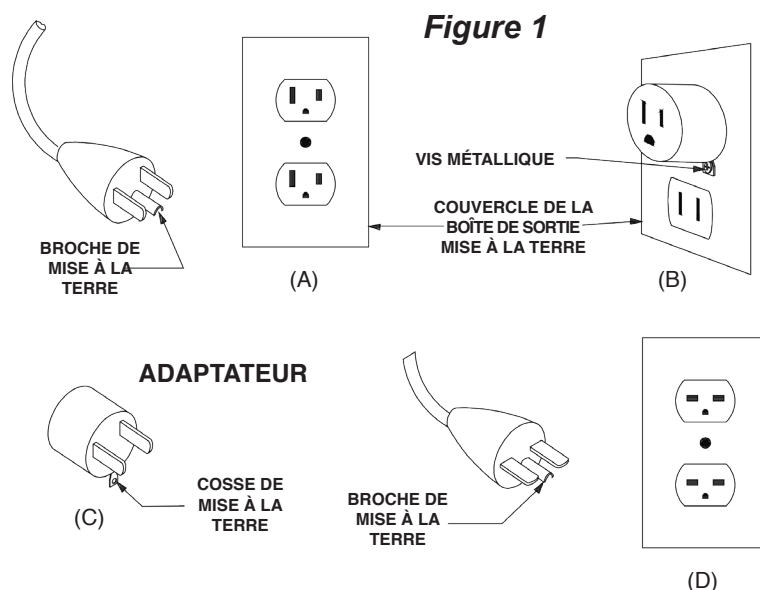
Le câblage de la prise électrique doit être conforme aux codes du bâtiment locaux et à tout autre règlement afin de réduire le risque d'incendie, de choc électrique ou de blessure.



N'utilisez pas ce jeu de bûches si une partie du jeu de bûches a été immergée. Appelez immédiatement un technicien qualifié qui inspectera le jeu de bûches et remplacera toute partie du circuit électrique qui a été immergée.

Directives de mise à la terre

Ce radiateur est conçu en fonction d'un circuit de 120 volts. Le cordon est doté d'une fiche (illustration A, figure 1). Un adaptateur (illustration C, figure 1) permet de brancher les fiches à trois broches avec mise à la terre aux prises à deux fentes. La cosse de mise à la terre verte de l'adaptateur doit être branchée à une mise à la terre permanente comme une boîte de sortie correctement mise à la terre. Ne vous servez pas de l'adaptateur si une prise à trois fentes mise à la terre est disponible.



Avertissement:
N'utilisez PAS d'adaptateurs au Canada.

Télécommande

Cet appareil a été testé et déclaré conforme aux limites imposées aux appareils numériques de classe B, conformément à l'alinéa 15 du règlement de la FCC et à la norme NMB-003 d'Industrie Canada. Ces limites sont destinées à assurer une protection raisonnable contre les interférences nuisibles dans un environnement résidentiel. Cet appareil génère, utilise et peut émettre de l'énergie radiofréquence et, s'il n'est pas installé et utilisé conformément aux directives, risque de provoquer des interférences nuisibles aux communications radio.

Cependant, tout risque d'interférence ne peut être totalement exclu. S'il constate des interférences lors de la réception d'émissions de radio ou de télévision (il suffit pour le vérifier d'allumer et d'éteindre successivement l'appareil), l'utilisateur devra prendre les mesures nécessaires pour les éliminer. À cette fin, il devra :

- réorienter ou déplacer l'antenne réceptrice;
- accroître la distance entre l'appareil et le récepteur;
- brancher l'appareil dans une prise de courant appartenant à un autre circuit que celui du récepteur;
- obtenir de l'aide auprès du détaillant ou d'un technicien en radio et télévision expérimenté.

Une pile bouton au lithium (format CR2025) est incluse pour la télécommande.

N'UTILISEZ PAS de vieilles piles avec des piles neuves.

N'UTILISEZ PAS de piles rechargeables à oxyde d'argent-cadmium avec la télécommande.



N'UTILISEZ PAS de piles alcalines, ordinaires (carbone-zinc) ou rechargeables (nickel-cadmium) ensemble.

NE JETEZ PAS les piles au feu. Une mise au rebut inadéquate pourrait causer une fuite ou faire exploser les piles.

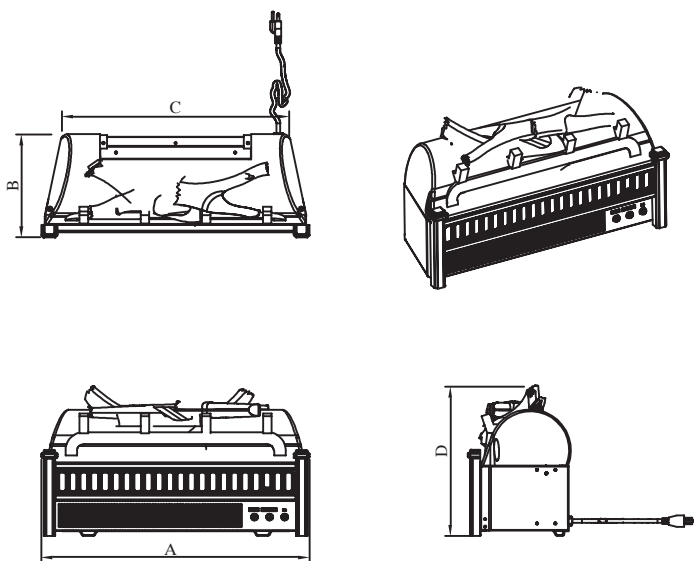
ATTENTION

LES DOMMAGES DE PRODUIT PEUVENT SE PRODUIRE.

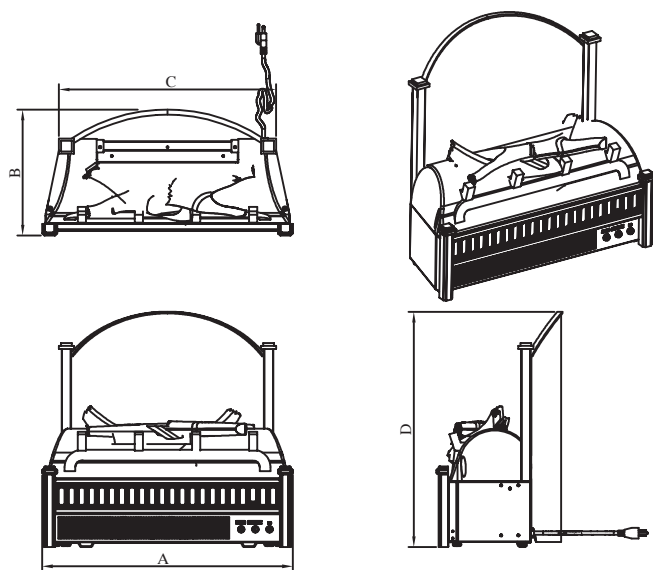
N'essayez jamais de démonter ou changer le produit de quelque façon non instruit par ce manuel.

DIRECTIVES D'INSTALLATION

Dimensions du jeu de bûches



Modèle #LH-24 / GEL25H12

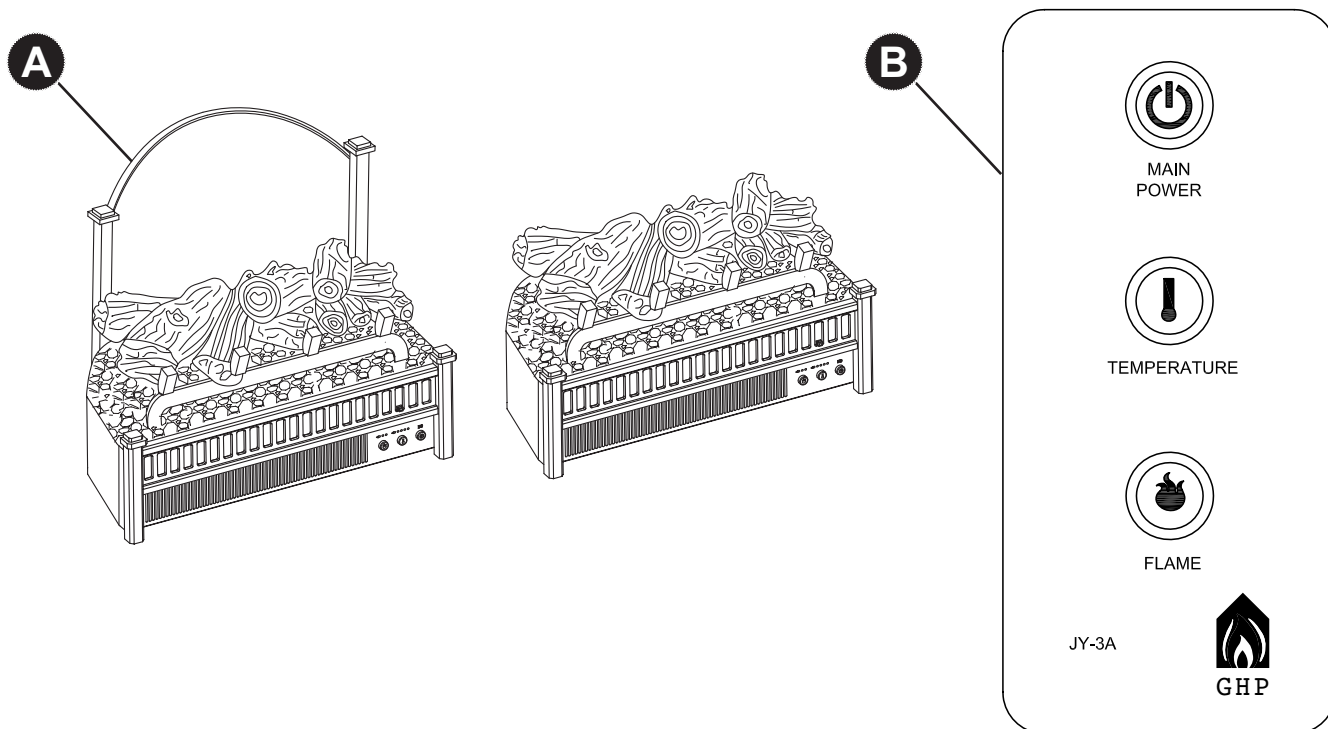


Modèle #LI-24 / GEL26I13

Réf.	Bûche	Appareil encastrable
A	584 mm	
B	220 mm	292 mm
C	495 mm	508 mm
D	330 mm	502 mm

Fiche technique	
Tension	120 V AC
Fréquence	60Hz
Intensité Maximale	12A
Puissance Nominale du Radiateur	1350W

Contenu de l'emballage



PIÈCE	DESCRIPTION	QUANTITÉ
A	Ensemble de bûches avec radiateur	1
B	Télécommande à infrarouge	1

DIRECTIVES D'INSTALLATION

Vous pouvez installer votre jeu de bûches avec radiateur de plusieurs manières:

- Dans un foyer existant;
- Sur un plancher résistant, contre un mur solide;
- Dans toute ouverture ou toute enceinte qui permet de respecter les distances minimales avec les matières combustibles indiquées ci-dessous.

Il vous suffit d'installer votre jeu de bûches à l'endroit souhaité, de tenir compte des distances minimales et des remarques formulées dans ce manuel et de brancher le cordon sur une prise électrique d'au moins 15 A, 120 V. Utilisez une rallonge d'une puissance minimale de 1 875 watts au besoin.

Remarque: Pour obtenir de meilleurs résultats, installez l'appareil dans un endroit à l'abri des rayons du soleil et à une distance d'au moins 86 mm (3/8 po) du mur.

⚠ Avertissement: N'installez pas l'appareil sur la moquette, un tapis, un lit, une couverture, un oreiller, etc. Gardez les matières combustibles, telles que les meubles, les draps, le papier, les vêtements et les rideaux à une distance d'au moins 914 mm (3 pi) de jeu de bûches.

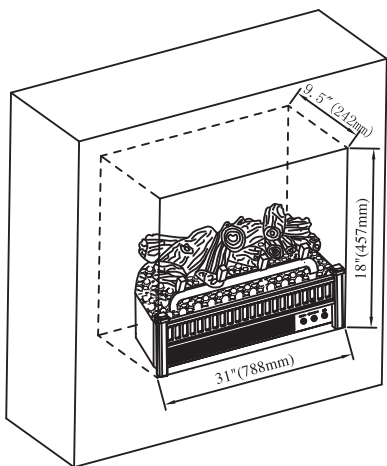
Distance minimale avec les matières combustibles

À l'avant: 915 mm (36 po) À l'arrière: 19 mm (3/4 po) De chaque côté: 105 mm (4 1/8 po)

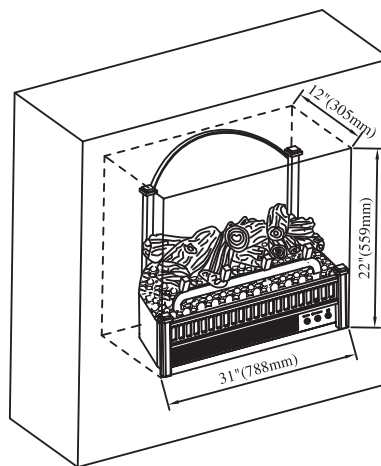
Au-dessus: LH-24 / GEL25H12 - 127 mm (5 po)

LI-24 / GEL26I13 - 10 mm (3/8 po)

Dimensions minimales de l'enceinte



Modèle #LH-24 / GEL25H12



Modèle #LI-24 / GE-L26I13

Déballage:

Retirez l'appareil de la boîte, puis assurez-vous que vous avez toutes les pièces et que celles-ci sont en bon état. S'il y a des pièces manquantes ou endommagées, ne tentez pas d'assembler ni d'utiliser le produit. Pour obtenir de l'aide, communiquez avec le service à la clientèle au **(877) 447-4768**.

NE JETEZ PAS l'emballage tant que vous n'êtes pas satisfait de votre jeu de bûches.

NE RETOURNEZ PAS le produit au magasin sans avoir composé le (877) 447-4768 pour obtenir de l'aide.

DIRECTIVES D'UTILISATION

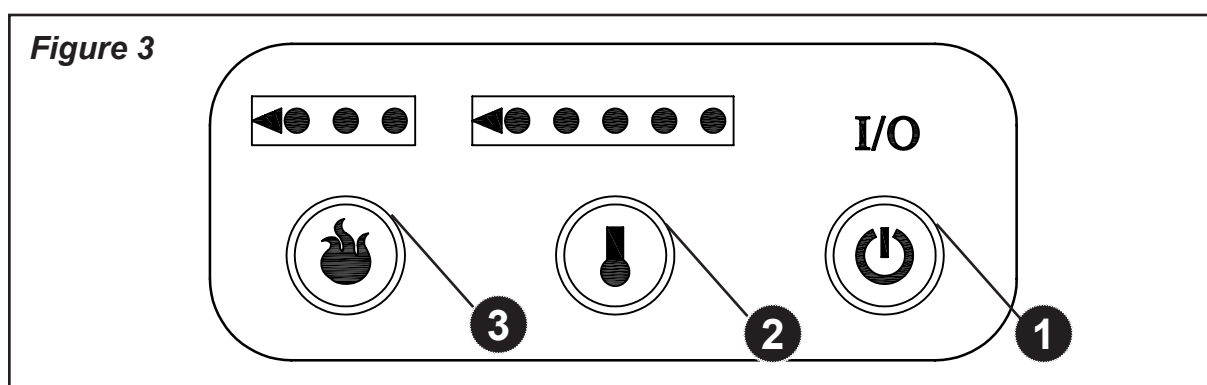
Deux (2) méthodes permettent d'accéder aux fonctions de commande du électroménager :

- Utilisation des boutons du panneau de commande, situés dans le coin inférieur droit de l'ensemble de bûches.
- Au moyen de la télécommande multifonction.

Le jeu de bûches comprend de pratiques commandes distinctes pour l'effet de flamme et le radiateur.

Ces commandes permettent d'utiliser le jeu de bûches en deux (2) différents modes:

- **Comme jeu de bûches complet** – l'effet de flamme et le radiateur sont en fonction. Ce mode permet d'apprécier l'apparence d'un feu tout en bénéficiant de l'apport de chaleur d'un radiateur.
- **Comme effet visuel seulement** – seul l'effet de flamme est en fonction, le radiateur est hors fonction. Nous recommandons ce mode lorsque la température est élevée, pour apprécier l'ambiance d'un feu sans apport de chaleur.



- 1 Interrupteur général:**
Ce bouton permet d'alimenter toutes les fonctions de jeu de bûches. Pour activer les fonctions, réglez le bouton d'alimentation principale à la position ON (marche) soit directement à partir de jeu de bûches, soit à l'aide de la télécommande.
- 2 Bouton de commande du radiateur:**
Ce bouton commande les fonctions de marche et d'arrêt ainsi que cinq modes de température allant d'un réglage faible à un réglage élevé. Lorsque vous mettez du radiateur en marche pour la première fois, il sera réglé par défaut au réglage le plus faible. Le jeu de bûches conservera son réglage de température en mémoire chaque fois que vous l'éteindrez, à moins d'une coupure de courant. Chaque fois que vous appuyez sur le bouton Temperature (température), la chaleur générée augmentera.
- 3 Bouton de commande de flamme:**
Ce bouton de commande permet de régler l'intensité lumineuse des flammes (haute, moyenne, basse). Les flammes seront à l'intensité lumineuse maximale lors de la mise en marche du jeu de bûches. Le jeu de bûches conservera son réglage de flamme en mémoire chaque fois que vous l'éteindrez, à moins d'une coupure de courant. Il est possible de diminuer l'intensité lumineuse des flammes en appuyant sur ce bouton. Seul le commutateur principal permet d'éteindre complètement les flammes artificielles.

DIRECTIVES D'UTILISATION

Dirigez la ligne de visée de la télécommande à infrarouge vers les boutons de commande de jeu de bûches pour faire fonctionner l'appareil. Les commandes de la télécommande permettent d'établir et de couper l'alimentation et de mettre le radiateur sous tension et hors tension. Si vous préférez utiliser les boutons de commande situés sur le jeu de bûches, vous les trouverez dans le coin inférieur droit de l'appareil. La disposition des boutons et la télécommande sont illustrées dans les figures 3 et 5 respectivement.

1. Branchez votre jeu de bûches dans une prise de 15 A, 120 V.
2. Mettez l'appareil sous tension. Une flamme apparaîtra sur le mur, derrière le jeu de bûches.
3. Retirez la languette en plastique de l'intérieur du compartiment de la pile pour activer la télécommande.
4. Pointez la télécommande directement vers les boutons de commande de jeu de bûches et servez-vous des boutons pour faire fonctionner ce dernier.

Figure 4

Il FAUT retirer la languette en plastique du compartiment de la pile avant que la télécommande ne fonctionne (tirez sur la languette).
(tirez sur la languette)



1 Interrupteur général:

Ce bouton permet d'alimenter toutes les fonctions de jeu de bûches. Pour activer les fonctions, réglez le bouton d'alimentation principale à la position ON (marche) soit directement à partir de jeu de bûches, soit à l'aide de la télécommande.

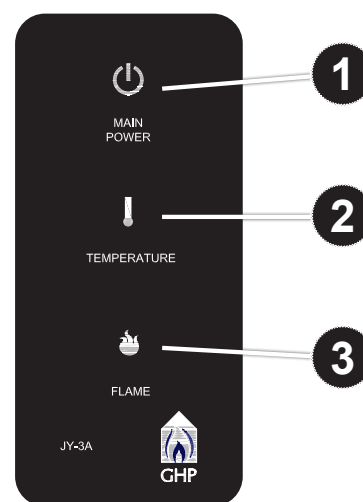
2 Bouton de commande du radiateur:

Ce bouton commande les fonctions de marche et d'arrêt ainsi que cinq modes de température allant d'un réglage faible à un réglage élevé. Lorsque vous mettez du radiateur en marche pour la première fois, il sera réglé par défaut au réglage le plus faible. Le jeu de bûches conservera son réglage de température en mémoire chaque fois que vous l'éteindrez, à moins d'une coupure de courant. Chaque fois que vous appuyez sur le bouton Temperature (température), la chaleur générée augmentera.

3 Bouton de commande de flamme:

Ce bouton de commande permet de régler l'intensité lumineuse des flammes (haute, moyenne, basse). Les flammes seront à l'intensité lumineuse maximale lors de la mise en marche du jeu de bûches. Le jeu de bûches conservera son réglage de flamme en mémoire chaque fois que vous l'éteindrez, à moins d'une coupure de courant. Il est possible de diminuer l'intensité lumineuse des flammes en appuyant sur ce bouton. Seul le commutateur principal permet d'éteindre complètement les flammes artificielles.

Figure 5



ENTRETIEN

Avant TOUT entretien :

1. Coupez l'alimentation du électroménager.
2. Débranchez le cordon d'alimentation de la prise.
3. Laissez le jeu de bûches refroidir s'il était en fonction.

Entretien des moteurs :

Débranchez toujours le électroménager de l'alimentation électrique principale et laissez le électroménager refroidir avant tout entretien.

Les moteurs utilisés sur le radiateur du ventilateur et la soufflante de flamme ont été prégraissés pour prolonger la durée des roulements et n'exigent aucun autre graissage. Il est toutefois recommandé de nettoyer le électroménager et de passer l'aspirateur périodiquement autour de la prise d'air, de la sortie d'air et du radiateur du ventilateur. Nettoyez plus fréquemment le électroménager en cas d'utilisation intensive ou continue. Si le radiateur propulse en alternance de l'air froid et de l'air chaud, vérifiez si le ventilateur tourne librement ou si des débris obstruent la circulation d'air. Si le ventilateur ne tourne pas librement, mettez le électroménager hors fonction, puis remplacez immédiatement le ventilateur pour prévenir tout autre dommage au électroménager.

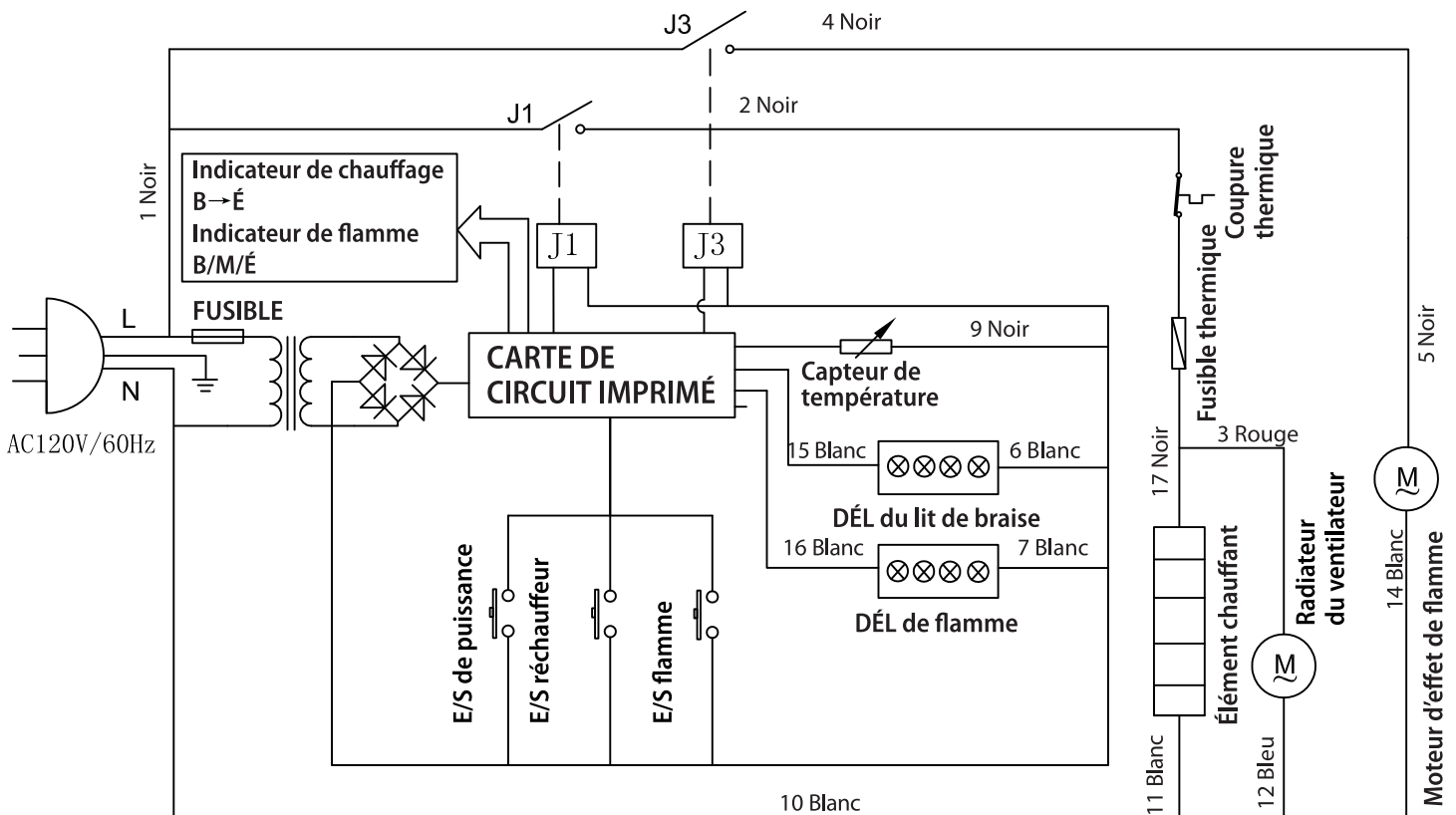
Nettoyage :

Nettoyez jeu de bûches uniquement à l'aide d'un aspirateur ou d'un linge doux légèrement humide (au besoin, ajoutez un peu de savon à vaisselle à l'eau), puis séchez-le au moyen d'un linge doux, propre et sec. **N'UTILISEZ PAS** de nettoyants abrasifs, car ces produits endommageront l'appareil.

SCHÉMA DE CÂBLAGE

Confiez les réparations électriques et tout nouveau câblage de ce électroménager à un électricien agréé qui respectera les codes nationaux et locaux.

SCHÉMA DE CÂBLAGE



⚠ DANGER



Coupez l'alimentation avant l'entretien

Confiez tout nouveau câblage de ce électroménager à un technicien qualifié. Veillez à ce que le câblage soit effectué conformément aux codes locaux ou, au Canada, à la plus récente version du Code canadien de l'électricité, CSA C22.1 ou, dans le cas des installations aux É.-U., au code national de l'électricité, ANSI/NFPA N° 70.

En cas de réparation ou de remplacement d'un composant ou d'un câble électrique, respectez l'acheminement des câbles, les codes de couleur et les emplacements de fixation d'origine.

DÉPANNAGE

Si vous avez des questions concernant ce produit, veuillez téléphoner au service à la clientèle au (877) 447-4768, entre 8 h 30 et 16 h 30, HNC, du lundi au vendredi.

Problème	Cause possible	Mesure corrective
Le jeu de bûches ne fonctionne pas, le voyant d'alimentation du tableau de commande n'est pas allumé.	<ol style="list-style-type: none"> 1. Le jeu de bûches n'est pas branché. 2. Un fusible est déclenché ou un fusible est grillé. 3. Interrupteur général défectueux. 4. Câblage desserré. 	<ol style="list-style-type: none"> 1. Assurez-vous que le jeu de bûches est branché dans une prise standard de 120 V. 2. Vérifiez si d'autres appareils sont alimentés par le même circuit. Idéalement, le électroménager devrait se trouver sur un circuit dédié de 15 A. 3. Communiquez avec le service à la clientèle au (877) 447-4768. 4. Communiquez avec le service à la clientèle au (877) 447-4768.
Le voyant d'alimentation est allumé, mais la flamme arrière n'est pas lumineuse ni visible.	<ol style="list-style-type: none"> 1. Fonctionnement incorrect. 2. L'appareil est installé trop loin du mur. 3. La bande de DÉL ne fonctionne pas. 4. Câblage desserré. 	<ol style="list-style-type: none"> 1. Consultez les directives d'utilisation. 2. Rapprochez l'appareil du mur. 3. Communiquez avec le service à la clientèle au (877) 447-4768. 4. Communiquez avec le service à la clientèle au (877) 447-4768.
Le voyant d'alimentation est allumé, mais le lit de braise ne scintille pas.	<ol style="list-style-type: none"> 1. La barrette de DÉL ne fonctionne pas. 2. Câblage desserré. 	<ol style="list-style-type: none"> 1. Communiquez avec le service à la clientèle au (877) 447-4768. 2. Communiquez avec le service à la clientèle au (877) 447-4768.
Le bruit est excessif lorsque la flamme est allumée mais que le radiateur est éteint.	<ol style="list-style-type: none"> 1. L'arbre du réflecteur de flamme en rotation frotte contre le boîtier. 2. Le moteur de l'arbre du réflecteur de flamme est défectueux. 	<ol style="list-style-type: none"> 1. Ouvrez l'arrière du électroménager et remplacez l'arbre du réflecteur de flamme. Mettez le électroménager hors tension avant l'entretien. 2. Communiquez avec le service à la clientèle au (877) 447-4768.

DÉPANNAGE

Si vous avez des questions concernant ce produit, veuillez téléphoner au service à la clientèle au (877) 447-4768, entre 8 h 30 et 16 h 30, HNC, du lundi au vendredi.

Problème	Cause possible	Mesure corrective
Le radiateur ne fonctionne pas.	<ol style="list-style-type: none">1. Fonctionnement incorrect.2. Interrupteur de radiateur défectueux.3. Ensemble de radiateur défectueux.4. Câblage desserré.	<ol style="list-style-type: none">1. Consultez les directives d'utilisation.2. Communiquez avec le service à la clientèle au (877) 447-4768.3. Communiquez avec le service à la clientèle au (877) 447-4768.4. Communiquez avec le service à la clientèle au (877) 447-4768.
Le bruit est excessif lorsque le radiateur est en fonction.	<ol style="list-style-type: none">1. Soufflante sale ou colmatée.2. Ensemble de radiateur défectueux.	<ol style="list-style-type: none">1. Consultez la section du manuel d'utilisation qui traite de l'entretien des moteurs.2. Communiquez avec le service à la clientèle au (877) 447-4768.

GARANTIE

Le fabricant garantit que votre nouveau électroménager électrique est exempt de défaut de fabrication ou de matériaux durant une année à partir de la date d'achat, en tenant compte des conditions et des restrictions suivantes.

1. Ce jeu de bûches électrique encastrable doit être installé et utilisé en tout temps conformément aux directives d'installation et d'utilisation remises avec le produit. Une modification, un abus volontaire, un accident ou une mauvaise utilisation du produit invalide la présente garantie.
2. Cette garantie n'est pas transférable et n'est offerte qu'à l'acheteur d'origine, tant que l'achat a été conclu chez un fournisseur autorisé de l'entreprise.
3. Cette garantie se limite à la réparation ou au remplacement des pièces qui présentent des défauts de matériaux ou de fabrication, tant que ces pièces ont fait l'objet d'une utilisation et d'un entretien normaux, une fois un tel défaut confirmé par l'inspection effectuée par l'entreprise.
4. L'entreprise peut, à sa discrétion, s'acquitter de toute obligation en vertu de la présente garantie en remboursant le prix de gros des pièces défectueuses.
5. Tout frais d'installation, de main-d'œuvre, de fabrication, de transport, ou d'autres frais connexes découlant des pièces défectueuses, de la réparation, du remplacement ou d'une intervention du même type, ne sont pas couverts par la présente garantie et l'entreprise n'assume aucune responsabilité à cet égard. De plus, l'entreprise n'est pas responsable des dommages accessoires ou consécutifs, sauf conformément aux dispositions de la loi.
6. Toutes les autres garanties, explicites ou implicites, sur le produit, ses composants et ses accessoires ainsi que toute autre obligation ou responsabilité de l'entreprise sont expressément exclues par les présentes.
7. L'entreprise n'assume ni n'autorise un tiers à assumer, en son nom, toute autre responsabilité quant à la vente de ce produit.
8. Les garanties énoncées dans le présent document ne couvrent pas les accessoires qui ne proviennent pas de le fabricant utilisés de concert avec l'installation de ce produit.

Cette garantie sera annulée si :

- a) Le jeu de bûches a été utilisé dans une atmosphère contaminée par du chlore, du fluor ou d'autres produits chimiques nocifs.
- b) Le jeu de bûches est exposé à l'humidité ou à la condensation pendant des périodes prolongées.
- c) Le produit a fait l'objet d'une modification, d'un abus volontaire ou d'une mauvaise utilisation, ou a subi un accident.

SERVICE AU TITRE DE LA GARANTIE . . .

- 1) Communiquez avec le service à la clientèle de le fabricant. Assurez-vous d'avoir en mains votre garantie, votre reçu de vente ainsi que les numéros de modèle et de série de votre produit de le fabricant.
- 2) **NE TENTEZ PAS DE RÉPARER LE PRODUIT VOUS-MÊME.**

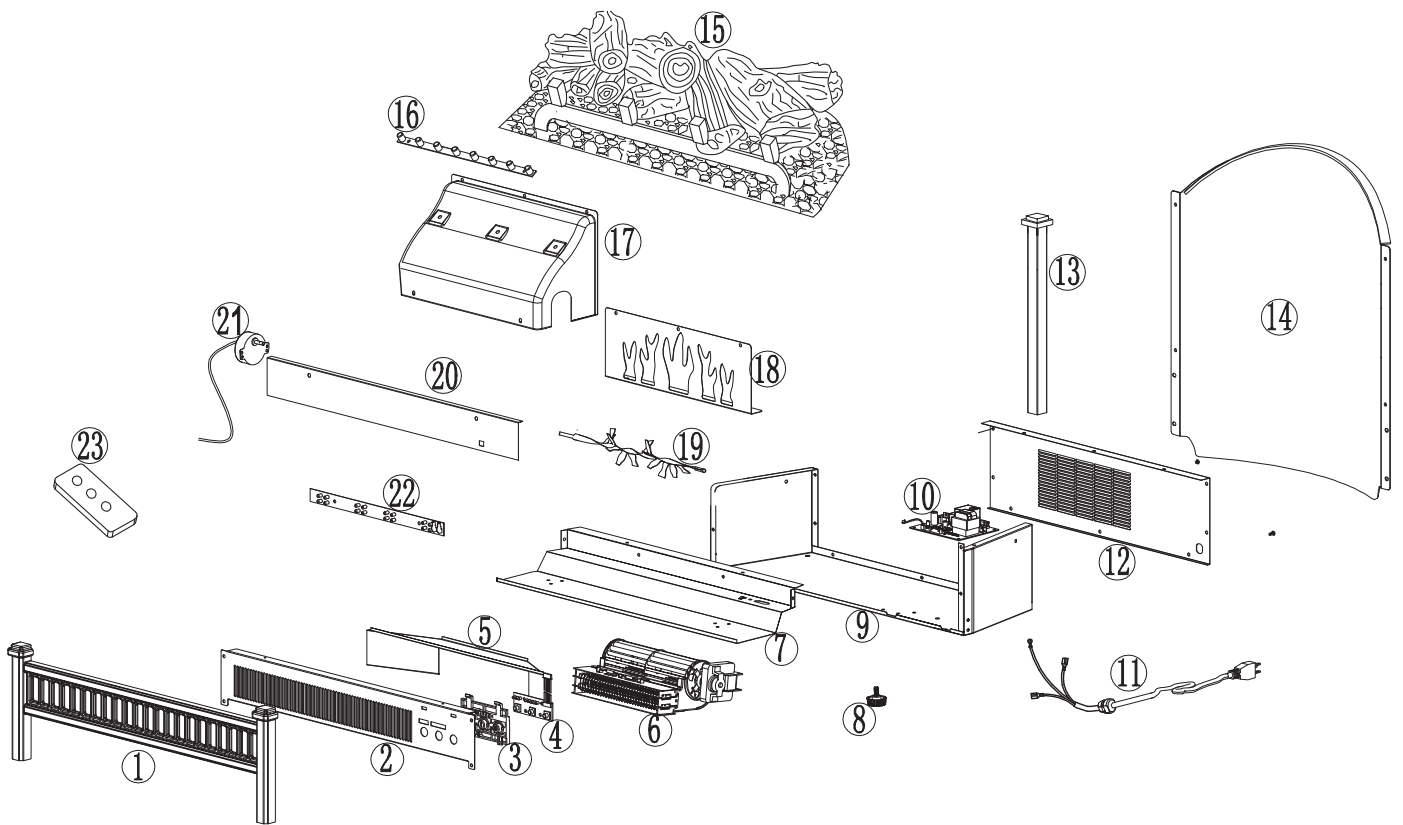


GHP Group, Inc.
6440 W. Howard St.
Niles, IL 60714-3302
877-447-4768

LISTE DES PIÈCES DE RECHANGE

Pour obtenir des pièces de rechange, communiquez avec notre service à la clientèle au (877) 447-4768, entre 8 h 30 et 16 h 30, HNC, du lundi au vendredi.

Réf.	Description	Modèle #LH-24 /	Modèle #LI-24 /
		GEL25H12	GEL26I13
1	Guide longitudinal	EFLH24359AC	EFLH24359AC
2	Panneau avant	EFLH24358AC	
3	Panneau des boutons en plastique	EFLH24360AC	
4	Panneau de commande	EF23023102X	
5	Rainure	EFLH24357AC	
6	Élément du radiateur	EFLH24369AC	
7	Panneau de soutien	EFLH24353AC	
8	Pied réglable	EFLH24364AC	
9	Éléments de la partie inférieure	EFLH24100AC	
10	Panneau principal (carte de circuit imprimé)	EF33503AC-log	
11	Cordon d'alimentation	EFLH24372AC	
12	Panneau arrière	EFLH24350AC	
13	Tube carré		EFLI24350AC
14	Panneau arrière de foyer		EFLI24100AC
15	Ensemble de bûches	EFLH24361AC	EFLI24361AC
16	RANGÉE DE DEL II (lumière de l'ensemble de bûches)	EF23023104X	
17	Revêtement en plastique	EFLH24362AC	
18	Panneau de flamme	EFLH24354AC	
19	Réflecteur de flamme	EFLH24367AC	
20	Panneau de plastique	EFLH24363AC	
21	Moteur synchrone	EFLH24368AC	
22	RANGÉE DE DEL I (lumière de la flamme)	EF23023103X	
23	Télécommande	EF33510AS	



Pleasant Hearth™

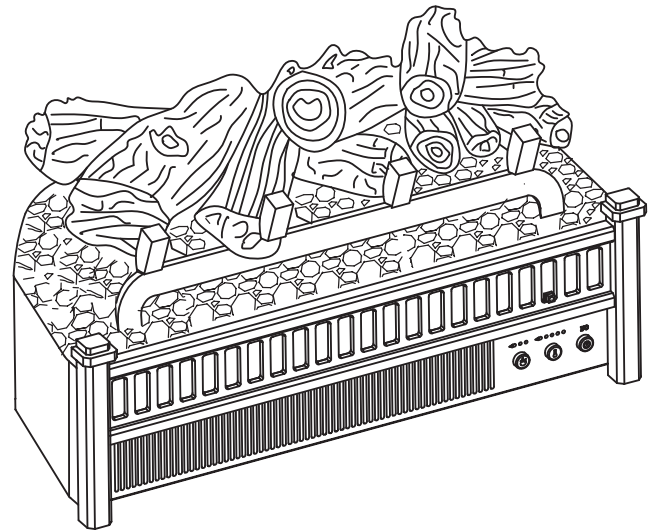
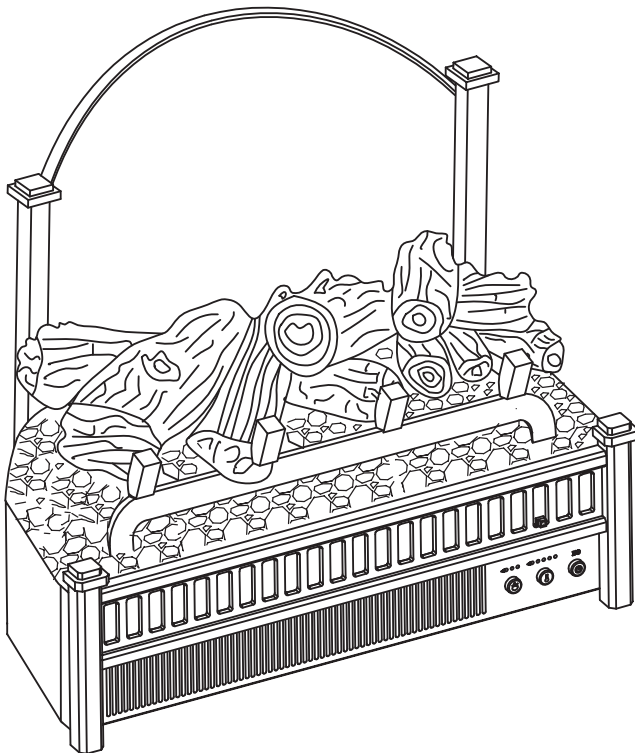


Warming Your Home. Warming Your Heart.

INSTRUCCIONES DE INSTALACIÓN Y FUNCIONAMIENTO PARA EL PROPIETARIO

ACCESORIO DE JUEGO DE LEÑOS ELÉCTRICO PLEASANT HEARTH/
ACCESORIO DE JUEGO DE LEÑOS ELÉCTRICO CON RESPALDO
MODELO #LI-24 / LH-24 / GEL26I13 / GEL25H12

ESPAÑOL



INSTRUCCIONES IMPORTANTES

LEA ESTE MANUAL ANTES DE INSTALAR Y USAR EL ELECTRODOMÉSTICO

¡ADVERTENCIA!

SI NO SE SIGUE CON PRECISIÓN LA INFORMACIÓN DE ESTE MANUAL, SE PUEDE PRODUCIR UNA DESCARGA ELÉCTRICA O UN INCENDIO QUE PRODUZCA DAÑOS A LA PROPIEDAD, LESIONES PERSONALES O MUERTE.

INSTALADOR: Deje este manual con el electrodoméstico.
CONSUMIDOR: Conserve este manual para referencia futura.



6440 W. Howard St.
Niles, IL 60714-3302
877-447-4768

20-10-105

¿Preguntas, problemas, piezas faltantes? Antes de volver a la tienda, comuníquese con nuestro departamento de Servicio al Cliente llamando al 877-447-4768, de 8:30 a.m. a 4:30 p.m. hora central estándar, de lunes a viernes, o envíenos un correo electrónico a customerservice@ghpgroupinc.com.

Rev. 5/13

ÍNDICE

Información de seguridad	39
Instrucciones de instalación	43
Instrucciones de operación.....	47
Cuidado y mantenimiento.....	49
Diagrama del cableado eléctrico	50
Solución de problemas	51
Garantía.....	53
Lista de piezas de repuesto.....	54

**Gracias y felicitaciones por la compra de su juego de
leños eléctrico con calentador de GHP GROUP.**




IMPORTANTE: lea con atención todas las instrucciones y advertencias antes de comenzar la instalación. Si no se siguen las instrucciones, se puede provocar una descarga eléctrica, lesiones a personas, riesgo de incendio, lo que anulará la garantía.

**Lea estas instrucciones de instalación y funcionamiento
antes de utilizar el electrodoméstico.**



Lea y comprenda completamente este manual antes de intentar ensamblar, usar o instalar el producto. Si tiene preguntas relacionadas con el producto, llame al Servicio al Cliente al (877) 447-4768, de 8:30 a.m. a 4:30 p.m. hora central estándar, de lunes a viernes.

1. Lea todas las instrucciones antes de usar este electrodoméstico.
2. Este electrodoméstico se calienta cuando está en funcionamiento. Para evitar quemaduras, no toque superficies calientes con la piel desnuda. Si se incluyen, utilice las manijas para trasladar el electrodoméstico. Mantenga materiales inflamables, como muebles, almohadas, ropa de cama, papeles, ropa y cortinas al menos a 914,4 mm (3 pies) de la parte delantera de este electrodoméstico.
3.  **PRECAUCIÓN: Se debe tener extrema precaución cuando niños o personas discapacitadas usen un calentador o cuando se use cerca de ellos, y siempre que el calentador se deje funcionando sin vigilancia.**
4. Si es posible, siempre desenchufe este electrodoméstico cuando no lo use.
5. No opere ningún calentador con un cable o enchufe dañados, o después de fallas del mismo, de que se haya dejado caer o dañado de cualquier forma.
6. Toda reparación de este electrodoméstico debe realizarla un técnico calificado.
7. Bajo ninguna circunstancia se debe modificar este electrodoméstico. Las piezas que se deben retirar para reparación se deben reemplazar antes de volver a hacer funcionar este electrodoméstico.
8. No lo use en exteriores.
9. Este calentador no se debe usar en el baño, lavadero y en espacios húmedos similares interiores. Nunca coloque este calentador donde se pueda caer dentro de una bañera u otro contenedor de agua.
10. No coloque el cable debajo de una alfombra. No cubra el cable con alfombras, tapetes o similares. Coloque el cable lejos de zonas de tránsito en donde nadie se pueda tropezar y caer.
11. Para desconectar este electrodoméstico, gire los controles a la posición de apagado y luego retire el enchufe del tomacorriente.
12. Conecte únicamente a un tomacorriente con la debida puesta a tierra.
13. Cuando está instalado, este electrodoméstico se debe poner a tierra según los códigos locales, según los Códigos de Electricidad de Canadá CSA C22.1 o, para instalaciones en EE.UU., siga los códigos locales y el código nacional de electricidad, ANSI/NFPA No. 70.
14. No introduzca objetos extraños ni permita que entren en las aberturas de escape o ventilación, ya que pueden provocar descargas eléctricas, incendios o daños en el electrodoméstico.
15. Para evitar incendios, no bloquee las entradas ni salidas de aire de ninguna manera. No use sobre superficies blandas, como una cama, donde las aberturas se puedan bloquear. No coloque la unidad sobre alfombras o tapetes.
16. Este electrodoméstico tiene en su interior piezas calientes y piezas que forman arcos eléctricos o que echan chispas. No lo use en áreas donde se use o almacene gasolina, pintura o líquidos inflamables. Este electrodoméstico no se debe usar como una rejilla para secar ropa, ni tampoco se deben colgar calcetas navideñas o decoraciones en el electrodoméstico o



INFORMACIÓN DE SEGURIDAD

cerca de éste.

17. Utilice este electrodoméstico sólo como se describe en este manual. Cualquier otro uso no recomendado por el fabricante puede causar incendios, descargas eléctricas o lesiones personales.
18. Evite utilizar extensiones eléctricas, debido al riesgo de sobrecalentarlas y provocar un incendio. Las extensiones eléctricas son sólo para uso temporal. De ser necesaria una extensión eléctrica, ésta debe estar certificada UL/CSA, clasificada como 15 A (1875 W), 125 V como máximo con 14 AWG como mínimo y fabricada con dos conductores de corriente con puesta a tierra. Se recomienda una extensión eléctrica para trabajo pesado de la menor longitud posible para la conexión, que no sobrepase los 15,24 m (50 pies). No enrolle ni cubra la extensión eléctrica.

GUARDE ESTAS INSTRUCCIONES

! PELIGRO



Conexión eléctrica

Se requiere un circuito de 15 amperios, 120 voltios, 60 Hz con un tomacorriente correctamente puesto a tierra. De preferencia, el juego de leños debe estar en un circuito dedicado, ya que la conexión de otros electrodomésticos al mismo circuito puede provocar que el interruptor de circuito se desconecte o que el fusible se funda cuando el calentador esté en funcionamiento. Se incluye como estándar con la unidad un cable de tres conductores de 1,83 m (6 pies) de largo, que sale del lado derecho del juego de leños. Planifique la instalación para evitar el uso de una extensión eléctrica. Las extensiones eléctricas son sólo para uso temporal. De ser necesaria una extensión eléctrica, ésta debe estar certificada UL/CSA, clasificada como 15 A (1875 W), 125 V como máximo con 14 AWG como mínimo y fabricada con dos conductores de corriente con puesta a tierra. Se recomienda una extensión eléctrica para trabajo pesado de la menor longitud posible para la conexión, que no sobrepase los 15,24 m (50 pies). No enrolle ni cubra la extensión eléctrica.



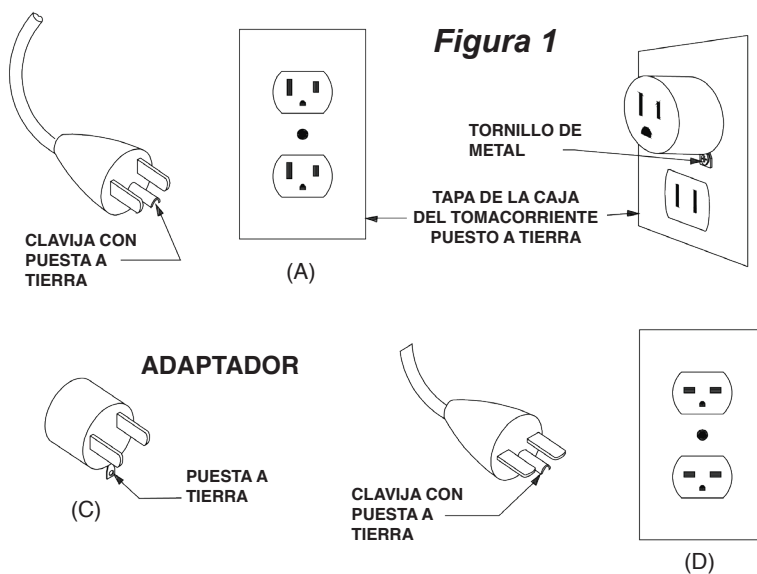
El cableado del tomacorriente debe cumplir con los códigos de construcción locales y con otras normas que correspondan para reducir el riesgo de incendio, descarga eléctrica y lesiones a personas.



No utilice esta chimenea si alguna de sus piezas estuvo sumergida en agua. Llame de inmediato a un técnico en mantenimiento calificado a fin de que inspeccione el juego de leños y reemplace cualquier pieza del sistema eléctrico que haya estado bajo agua.

Instrucciones de puesta a tierra

Este calentador fue diseñado para su uso en 120 voltios. El cable tiene un enchufe, como se muestra en A de la figura 1. Hay disponible un adaptador, como se muestra en C, para conectar enchufes con puesta a tierra de tres clavijas a receptáculos de dos ranuras. La orejeta verde de puesta a tierra que sale del adaptador se debe conectar permanentemente a tierra, como a través de una caja de un tomacorriente correctamente puesto a tierra. El adaptador no se debe usar si hay disponible un receptáculo de tres ranuras puesto a tierra.



NOTA:
Los adaptadores NO son para ser utilizados en Canadá



INFORMACIÓN DE SEGURIDAD

Control remoto

Este equipo ha sido probado y se ha verificado que cumple con los límites para un dispositivo digital Clase B, conforme a la Parte 15 de las reglas de la FCC y con ICES-003 de la Industria de Canadá. Estos límites están diseñados para proporcionar protección razonable contra interferencia perjudicial en una instalación residencial. Este equipo genera, utiliza y puede irradiar energía de radiofrecuencia y, si no se instala y usa de acuerdo con el manual de instrucciones, puede causar interferencia perjudicial a las comunicaciones de radio.

Sin embargo, no se garantiza que no se producirán interferencias en una instalación en particular. Si este equipo genera interferencia perjudicial a la recepción de radio o televisión, lo que se puede determinar al apagar y encender el equipo, se recomienda al usuario que intente corregir la interferencia con una o más de las siguientes medidas:

- Reorientar o reubicar la antena de recepción.
- Aumentar la separación entre el equipo y el receptor.
- Conectar el equipo a un tomacorriente de un circuito distinto al que usa el receptor.
- Solicitar ayuda al concesionario o a un técnico con experiencia en radio/TV.

El control remoto requiere 1 batería de botón de litio (tamaño CR2025), que viene incluida.

NO mezcle baterías antiguas con nuevas.

NO use baterías recargables de plata-cadmio en la unidad de control remoto.

NO mezcle baterías alcalinas, estándar (zinc-carbono) o recargables (níquel cadmio).

NO incinere las baterías. Una eliminación incorrecta de las baterías puede provocar que éstas exploten o se filtren.



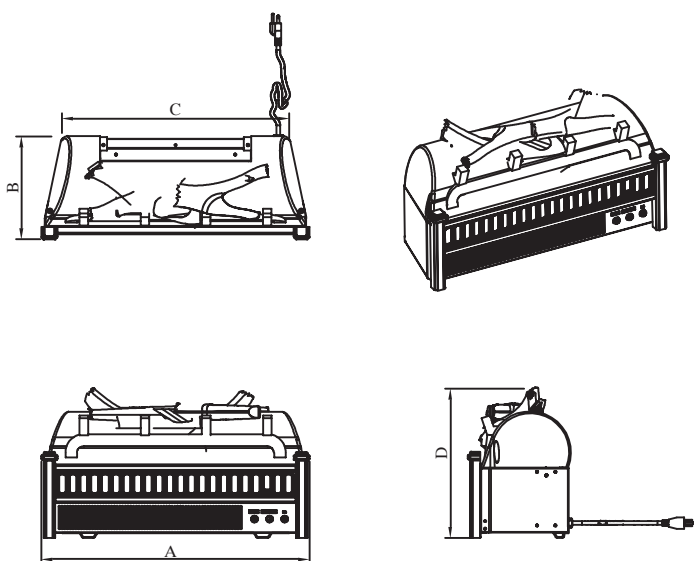
PRECAUCIÓN

EL DAÑO DEL PRODUCTO PUEDE OCURRIR.

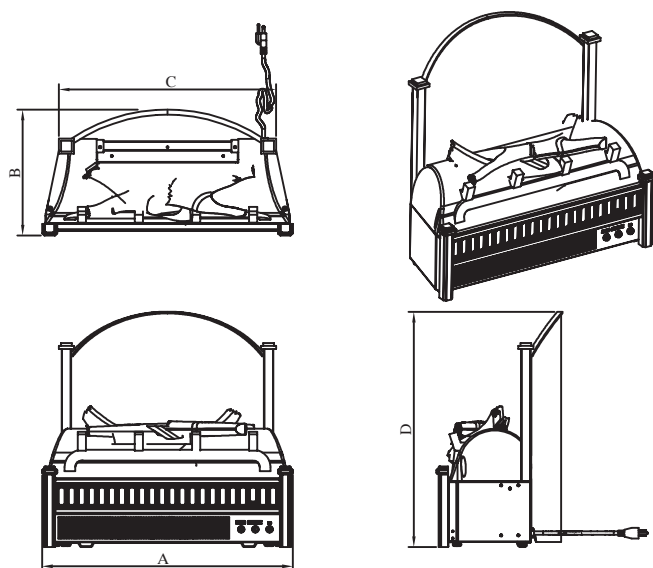
Nunca intente desmontar o alterar el producto de cualquier manera no instruida por este manual.

INSTRUCCIONES DE INSTALACIÓN

Dimensiones del juego de leños



Modelo #LH-24 / GEL25H12



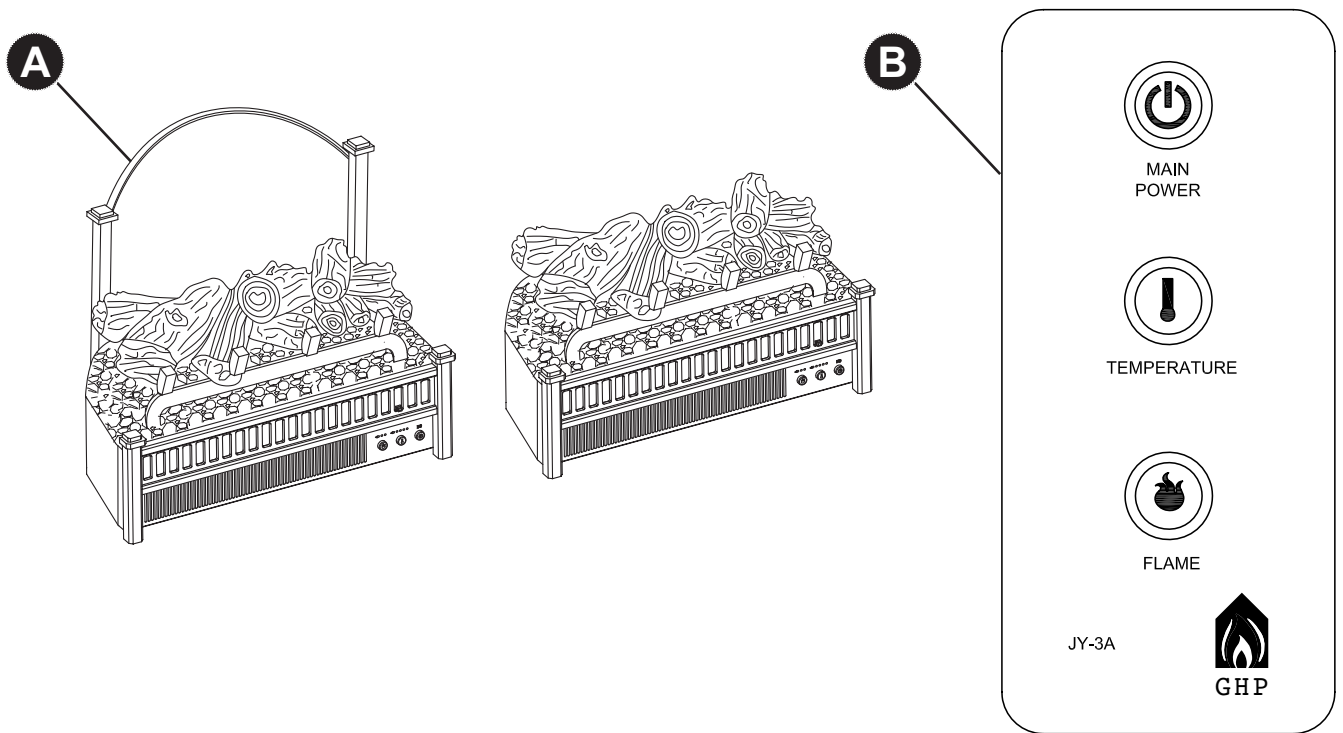
Modelo #LI-24 / GEL26I13

Ref.	Leños	Accesorio
A	584 mm	
B	220 mm	292 mm
C	495 mm	508 mm
D	330 mm	502 mm

Especificaciones técnicas	
Voltaje	120 V AC
Frecuencia	60Hz
Amperaje Máximo	12A
Potencia de Servicio del Calentador	1350W

INSTRUCCIONES DE INSTALACIÓN

Contenido del paquete



PIEZA	DESCRIPCIÓN	CANTIDAD
A	Juego de leños eléctrico con calentador	1
B	Control remoto infrarrojo	1

INSTRUCCIONES DE INSTALACIÓN

Su nuevo juego de leños eléctrico con calentador se puede instalar de varias maneras:

- En una chimenea existente.
- En un piso sólido pegado a una pared sólida.
- Se puede instalar en cualquier abertura o espacio que cumpla con la distancia de alejamiento de combustibles mencionada a continuación.

Basta con que coloque su juego de leños eléctrico en la ubicación deseada, respetando las distancias de separación y las notas en este manual, y que enchufe el cable a un tomacorriente de 15 A y 120 V. Use una extensión eléctrica calificada para un mínimo de 1875 vatios si es necesario.

Nota: Para obtener el mejor efecto, instale la unidad en un área lejos de la luz directa del sol y a aproximadamente 86 mm (3 3/8") de la pared.

⚠ Advertencia: No instale la unidad sobre alfombras, tapetes, camas, mantas, almohadas, etc. Mantenga los materiales inflamables, como muebles, almohadas, papeles, ropa y cortinas al menos a 0,91 m (3 pies) del juego de leños.

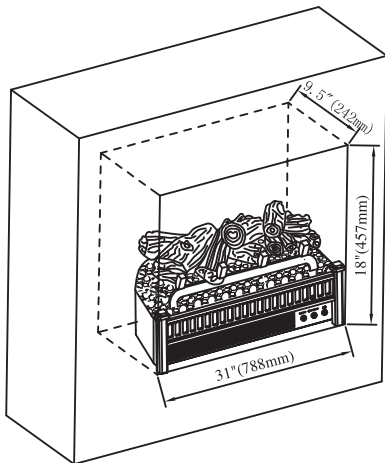
Distancia de separación con combustibles

Parte frontal: 0,91 m (36") Parte posterior: 1,91 m (¾") Laterales: 10,5 cm (4 1/8")

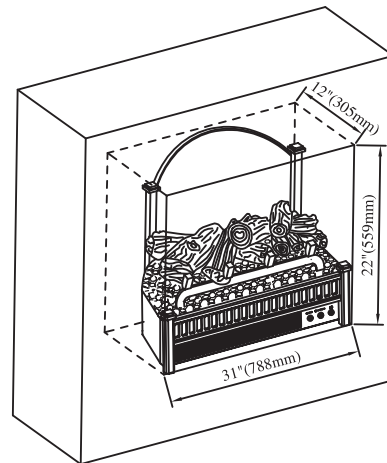
Parte superior: LH-24 / GEL25H12 - 12,7 cm (5")

LI-24 / GEL26I13- 10 mm (3/8")

Tamaño mínimo del espacio



Modelo #LH-24 /
GEL25H12



Modelo #LI-24 / GEL26I13

Desembalaje:

Retire la unidad de la caja y asegúrese de que contenga todas las piezas y revise con cuidado para ver si hay daños. No intente ensamblar ni usar el producto si falta alguna pieza o si éstas están dañadas. Comuníquese con el Servicio al Cliente al (877) 447-4768 si necesita ayuda.

NO elimine el empaque hasta que esté satisfecho con el juego de leños.

NO devuelva este producto a la tienda antes de llamar al (877) 447-4768 si necesita ayuda.

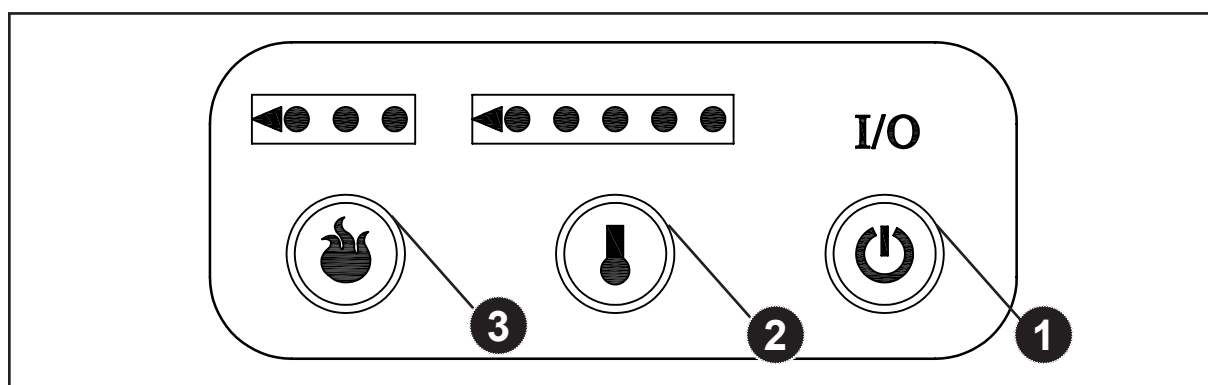
INSTRUCCIONES DE OPERACIÓN

Si puede tener acceso a las funciones de control del juego de leños de dos (2) formas:

- Mediante los botones del panel de control, ubicado en la esquina inferior derecha del juego de leños.
- Mediante la unidad de control remoto multifuncional.

El juego de leños ofrece controles convenientemente separados para efecto de llamas y para control del calentador. Esto le permite operar la unidad de dos (2) modos diferentes:

- **Como una completa chimenea**, cuando el efecto de llamas y el calentador están encendidos. Este modo le permite disfrutar de la apariencia de fuego junto con la salida de calor de un calentador.
- **Como efecto visual**, cuando sólo está encendido el efecto de llama, pero no el calentador. Recomendamos este modo para aplicación en clima cálido, cuando se desea el ambiente de una chimenea, pero sin salida de calor.



- 1 Botón de alimentación principal:**
Este botón alimenta todas las funciones del juego de leños. El botón de la alimentación principal debe estar en la posición de encendido, ya sea desde el control remoto o en los controles del juego de leños, para que las funciones trabajen.
- 2 Botón de control del calentador:**
Este botón controla la activación y desactivación del calentador, además de 5 modos de temperatura que van de temperatura baja a temperatura alta. La primera vez que encienda la calentador, el calentador mostrará la configuración de temperatura ambiente más baja. El juego de leños recordará la última configuración de calor y en usos subsecuentes iniciará en dicha configuración, a menos de que se interrumpa el suministro de energía a la unidad. Cada vez que presione el botón de temperatura, incrementará el punto en el que se establece la temperatura, esto le permitirá regular la temperatura ambiente.
- 3 Botón de control de llama:**
Este botón controla la brillantez del efecto de llama, con graduaciones de Alto, Medio y Bajo. Cuando el juego de leños se enciende por primera vez, la llama se enciende en el nivel más alto. El juego de leños recordará la última configuración de la flama y en usos subsecuentes el brillo de la flama iniciará en dicha configuración, a menos de que se interrumpa el suministro de energía a la unidad. Cada vez que el botón de llama es presionado, la brillantez de la llama disminuye. La única forma de apagar completamente el efecto de llama es apagando el juego de leños mediante el Botón de Encendido principal.

INSTRUCCIONES DE OPERACIÓN

El control remoto infrarrojo utiliza una línea de visión y se debe apuntar a los controles del juego de leños para que funcione. La unidad de control remoto cuenta con los controles necesarios para encender o apagar tanto la alimentación principal como el calentador. Si prefiere usar los botones de control de la unidad misma, estos se encuentran en la esquina inferior derecha de la unidad. La disposición de los botones y la unidad de control remoto se pueden ver en las figuras 3 y 5 respectivamente.

1. Enchufe el juego de leños en un tomacorriente de 15 amperios y 120 voltios.
2. Encienda la alimentación. La llama se encenderá en la pared detrás del juego de leños.
3. Retire la lengüeta plástica del interior del compartimiento de baterías para activar el control remoto (consulte la figura 5).
4. Apunte el control remoto directamente a los botones de control del juego de leños y use los botones para operarlo.

1 Botón de alimentación principal:

Este botón suministra alimentación a todas las funciones del juego de leños. El botón de la alimentación principal debe estar en la posición de encendido, ya sea desde el control remoto o en los controles del juego de leños, para que las funciones trabajen.

2 Botón de control del calentador:

Este botón controla la activación y desactivación del calentador, además de 5 modos de temperatura que van de temperatura baja a temperatura alta. La primera vez que encienda la calentador, el calentador mostrará la configuración de temperatura ambiente más baja. El juego de leños recordará la última configuración de calor y en usos subsecuentes iniciará en dicha configuración, a menos de que se interrumpa el suministro de energía a la unidad. Cada vez que presione el botón de temperatura, incrementará el punto en el que se establece la temperatura, esto le permitirá regular la temperatura ambiente.

3 Botón de control de llama:

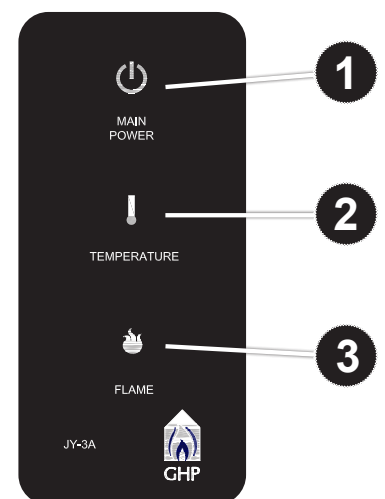
Este botón controla la brillantez del efecto de llama, con graduaciones de Alto, Medio y Bajo. Cuando el juego de leños se enciende por primera vez, la llama se enciende en el nivel más alto. The log set will remember the last flame setting used and in later use the flame brightness will start at that setting, unless power to the unit has been interrupted. Cada vez que el botón de llama es presionado, la brillantez de la llama disminuye. La única forma de apagar completamente el efecto de llama es apagando el juego de leños mediante el Botón de Encendido principal.

Figura 4

La lengüeta plástica dentro del compartimiento de baterías se DEBE retirar para que el control remoto pueda funcionar (tire de la lengüeta).



Figura 5



CUIDADO Y MANTENIMIENTO

Antes de intentar realizar CUALQUIER mantenimiento:

1. Apague la unidad.
2. Desenchufe el cable de alimentación del tomacorriente.
3. Deje que el juego de leños se enfríe si ha estado funcionando.

Mantenimiento de los motores

Siempre desconecte el electrodoméstico del suministro eléctrico principal y permita que se enfríe antes de cualquier operación de mantenimiento.

Los motores usados en el calentador de ventilador y el soplador de llamas vienen lubricados previamente para prolongar la vida útil de los rodamientos y no necesitan otra lubricación. Sin embargo, se recomienda una limpieza o aspiración periódica del electrodoméstico alrededor de la entrada y salida de aire, así como del calentador de ventilador. Para un uso pesado o continuo, la limpieza periódica se debe realizar con mayor frecuencia. Si el calentador sopla alternadamente aire frío y cálido, compruebe que el ventilador se mueva libremente y que no haya desechos que obstruyan el flujo de aire. Si el ventilador no se mueve libremente, la unidad se debe apagar y el ventilador se debe reemplazar inmediatamente para evitar daños a la unidad.

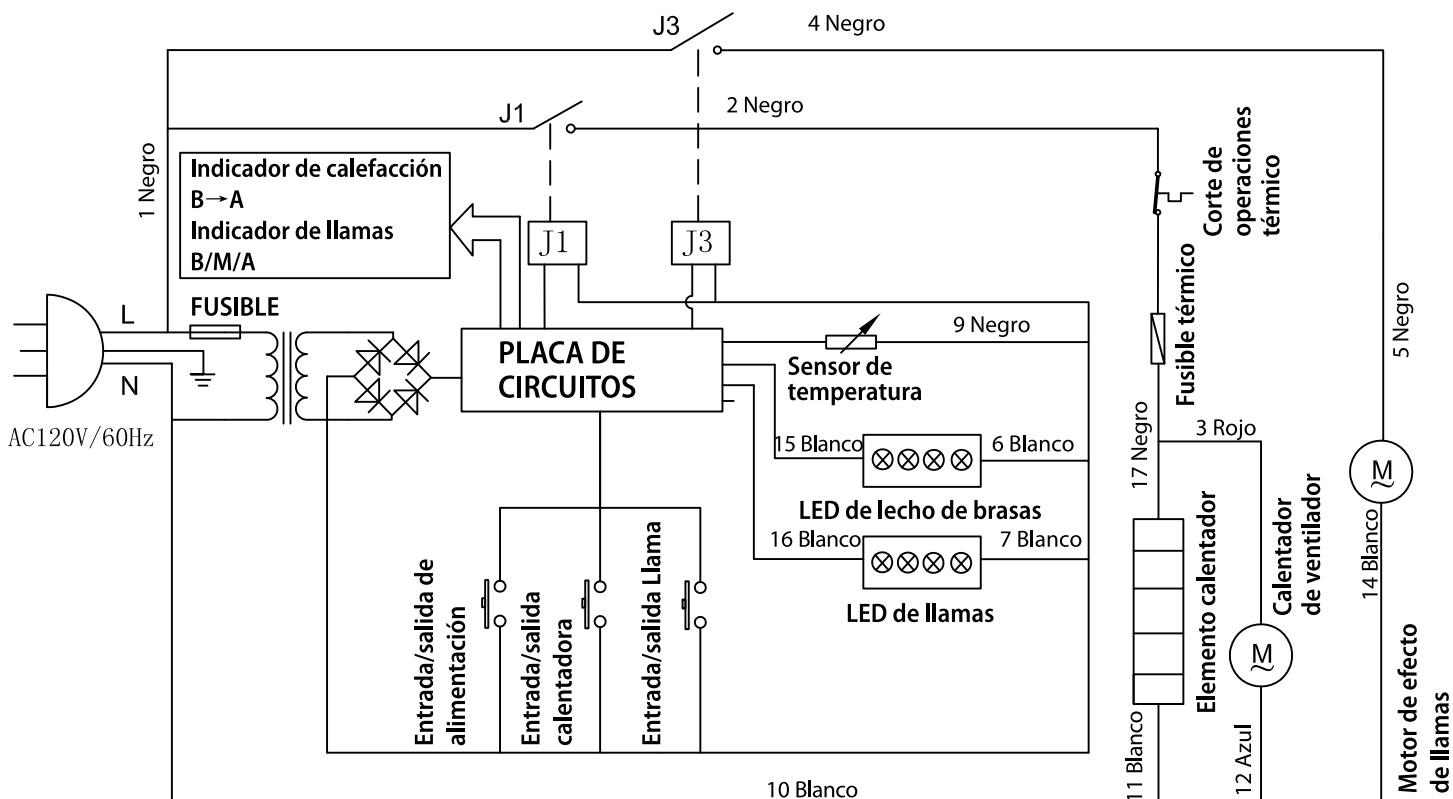
Limpieza

La limpieza del juego de leños se debe realizar sólo usando una aspiradora o un paño suave, levemente humedecido con agua (si es necesario, se puede agregar una pequeña cantidad de jabón para platos al agua) y se debe secar usando un paño suave seco. NO use limpiadores domésticos abrasivos, ya que pueden dañar la unidad.

DIAGRAMA DEL CABLEADO ELÉCTRICO

Toda reparación eléctrica o nuevo cableado de esta unidad sólo debe realizarlo un electricista certificado de acuerdo con los códigos nacionales y locales.

DIAGRAMA DE CIRCUITO



⚠ PELIGRO



Desconecte de la alimentación antes de realizar mantenimiento.



Todo nuevo cableado eléctrico del electrodoméstico debe realizarlo un electricista calificado. Este cableado se debe realizar de acuerdo con códigos locales o, en Canadá, de acuerdo con el Código de Electricidad de Canadá CSA C22.1 actual, y para las instalaciones en EE.UU., de acuerdo con el código nacional de electricidad, ANSI/NFPA No. 70.



Si se repara o reemplaza cualquier componente eléctrico o cableado, se deben seguir las rutas originales de los cables, los códigos de color y las ubicaciones de fijación.

SOLUCIÓN DE PROBLEMAS

Si tiene preguntas relacionadas con el producto, llame al Servicio al Cliente al (877) 447-4768, de 8:30 a.m. a 4:30 p.m. hora central estándar, de lunes a viernes.

Problema	Causa posible	Acción correctiva
El juego de leños no funciona; la luz de encendido del panel de control no está encendida.	<ol style="list-style-type: none"> 1. El juego de leños no está enchufada. 2. Un interruptor de circuito se desconectó o se fundió un fusible. 3. Interruptor de ENCENDIDO/ APAGADO defectuoso 4. Cableado suelto. 	<ol style="list-style-type: none"> 1. Asegúrese de que el juego de leños esté enchufada a un tomacorriente estándar de 120 V. 2. Compruebe si hay otros electrodomésticos conectados al circuito; idealmente, el juego de leños debe estar conectada a un circuito dedicado de 15 amperios. 3. Llame a Servicio al Cliente al (877) 447-4768. 4. Llame a Servicio al Cliente al (877) 447-4768.
La luz de encendido está encendida pero la llama posterior no brilla o no está visible.	<ol style="list-style-type: none"> 1. Funcionamiento incorrecto. 2. La unidad está muy lejos de la pared. 3. La tira del LED no funciona. 4. Cableado suelto. 	<ol style="list-style-type: none"> 1. Consulte las instrucciones de operación. 2. Cambia la unidad a una posición más cerca a una pared. 3. Llame a Servicio al Cliente al (877) 447-4768. 4. Llame a Servicio al Cliente al (877) 447-4768.
La luz de encendido está encendida pero la llama del lecho de brasas no titila.	<ol style="list-style-type: none"> 1. La tira del LED no funciona. 2. Cableado suelto. 	<ol style="list-style-type: none"> 1. Llame a Servicio al Cliente al (877) 447-4768. 2. Llame a Servicio al Cliente al (877) 447-4768.
Ruido excesivo cuando la llama está encendida pero el calentador está apagado.	<ol style="list-style-type: none"> 1. El eje del reflector de llamas giratorio se está friccionando contra la carcasa. 2. Motor del eje del reflector de llamas defectuoso. 	<ol style="list-style-type: none"> 1. Abra la parte posterior del juego de leños eléctrico y corrija la posición del eje del reflector de llamas. Apague la unidad antes de realizar mantenimiento. 2. Llame a Servicio al Cliente al (877) 447-4768.

SOLUCIÓN DE PROBLEMAS

Si tiene preguntas relacionadas con el producto, llame al Servicio al Cliente al (877) 447-4768, de 8:30 a.m. a 4:30 p.m. hora central estándar, de lunes a viernes.

Problema	Causa posible	Acción correctiva
El calentador no funciona.	<ol style="list-style-type: none">1. Funcionamiento incorrecto.2. Interruptor del calentador defectuoso.3. Ensamble del calentador defectuoso.4. Cableado suelto.	<ol style="list-style-type: none">1. Consulte las instrucciones de operación.2. Llame a Servicio al Cliente al (877) 447-4768.3. Llame a Servicio al Cliente al (877) 447-4768.4. Llame a Servicio al Cliente al (877) 447-4768.
Ruido excesivo cuando el calentador está funcionando.	<ol style="list-style-type: none">1. Soplador sucio u obstruido.2. Ensamble del calentador defectuoso.	<ol style="list-style-type: none">1. Consulte la sección Mantenimiento de los motores del manual de instrucciones.2. Llame a Servicio al Cliente al (877) 447-4768.

GARANTÍA

El fabricante garantiza que su nueva chimenea eléctrica no presentará defectos de fabricación ni materiales durante un período de un año a partir de la fecha de compra, siempre y cuando se cumplan las siguientes condiciones y limitaciones.

1. Esta chimenea eléctrica se debe instalar y operar en todo momento de acuerdo con las instrucciones de instalación y operación proporcionadas con el producto. Cualquier alteración, abuso deliberado, accidente o uso inadecuado del producto anulará esta garantía.
2. Esta garantía no es transferible y sólo está disponible para el propietario original, siempre y cuando la compra se haya realizado a través de un proveedor autorizado de la Compañía.
3. Esta garantía se limita a la reparación o reemplazo de piezas que se consideren defectuosas en material o mano de obra, siempre y cuando dicha pieza haya estado sometida a condiciones normales de uso y servicio, después de que una inspección por parte de la Compañía confirme dicho defecto.
4. La Compañía podrá, bajo su criterio, eximirse de toda obligación respecto de esta garantía reembolsando el precio al por mayor de la pieza defectuosa.
5. Esta garantía no cubrirá ningún costo de instalación, mano de obra, construcción, transporte o de otro tipo que surja de la pieza defectuosa, su reparación, reemplazo u otra situación, y la Compañía no asumirá ninguna responsabilidad por las mismas. La Compañía tampoco será responsable por ningún daño accidental, indirecto o resultante, salvo que la ley estipule lo contrario.
6. Mediante el presente, se excluye expresamente cualquier otra garantía, expresa o implícita, respecto del producto, sus componentes y accesorios, o cualquier otra obligación o responsabilidad de parte de la Compañía.
7. La Compañía no asume, ni autoriza a ningún tercero a asumir en su nombre, ninguna otra responsabilidad respecto de la venta de este producto.
8. Las garantías descritas en este documento no se aplican a accesorios que no sean de el fabricante y que se usen junto con la instalación de este producto.

Esta garantía es nula si:

- a) El juego de leños ha funcionado en atmósferas contaminadas con cloro, flúor u otras sustancias químicas dañinas.
- b) El juego de leños está sometida a períodos prolongados de humedad o condensación.
- c) Se produce cualquier alteración, abuso deliberado, accidente o uso inadecuado del producto.

SI SE NECESITA SERVICIO DE GARANTÍA. . .

- 1) Póngase en contacto con el Servicio al Cliente de el fabricante.
Asegúrese de tener su garantía, su recibo de venta y el modelo o número de serie de su producto el fabricante.
- 2) **NO INTENTE REALIZAR NINGÚN TRABAJO DE REPARACIÓN USTED MISMO.**



GHP Group, Inc.
6440 W. Howard St.
Niles, IL 60714-3302
877-447-4768

LISTA DE PIEZAS DE REPUESTO

Para pedir piezas de repuesto, llame a nuestro departamento de Servicio al Cliente al (877) 447-4768, de 8:30 a.m. a 4:30 p.m. hora central estándar, de lunes a viernes.

Ref.	Descripción	Modelo #LH-24 /	Modelo #LI-24 /
		GEL25H12	GEL26I13
1	Guía	EFLH24359AC	EFLH24359AC
2	Panel delantero	EFLH24358AC	
3	Panel de botones de plástico	EFLH24360AC	
4	Panel de control	EF23023102X	
5	Canal	EFLH24357AC	
6	Componentes del calentador	EFLH24369AC	
7	Panel de apoyo	EFLH24353AC	
8	Pata ajustable	EFLH24364AC	
9	Componentes de la caja inferior	EFLH24100AC	
10	Tablero principal (PCB)	EF33503AC-log	
11	Cable de alimentación	EFLH24372AC	
12	Panel posterior	EFLH24350AC	
13	Tubo cuadrado		EFLI24350AC
14	Respaldo		EFLI24100AC
15	Juego de leños	EFLH24361AC	EFLI24361AC
16	DISPOSICIÓN DE LUCES LED II (luz del juego de leños)	EF23023104X	
17	Forro de plástico	EFLH24362AC	
18	Panel de llamas	EFLH24354AC	
19	Reflector de llamas	EFLH24367AC	
20	Panel plástico	EFLH24363AC	
21	Motor síncrono	EFLH24368AC	
22	DISPOSICIÓN DE LUCES LED I (luz de llamas)	EF23023103X	
23	Control remoto	EF33510AS	

