

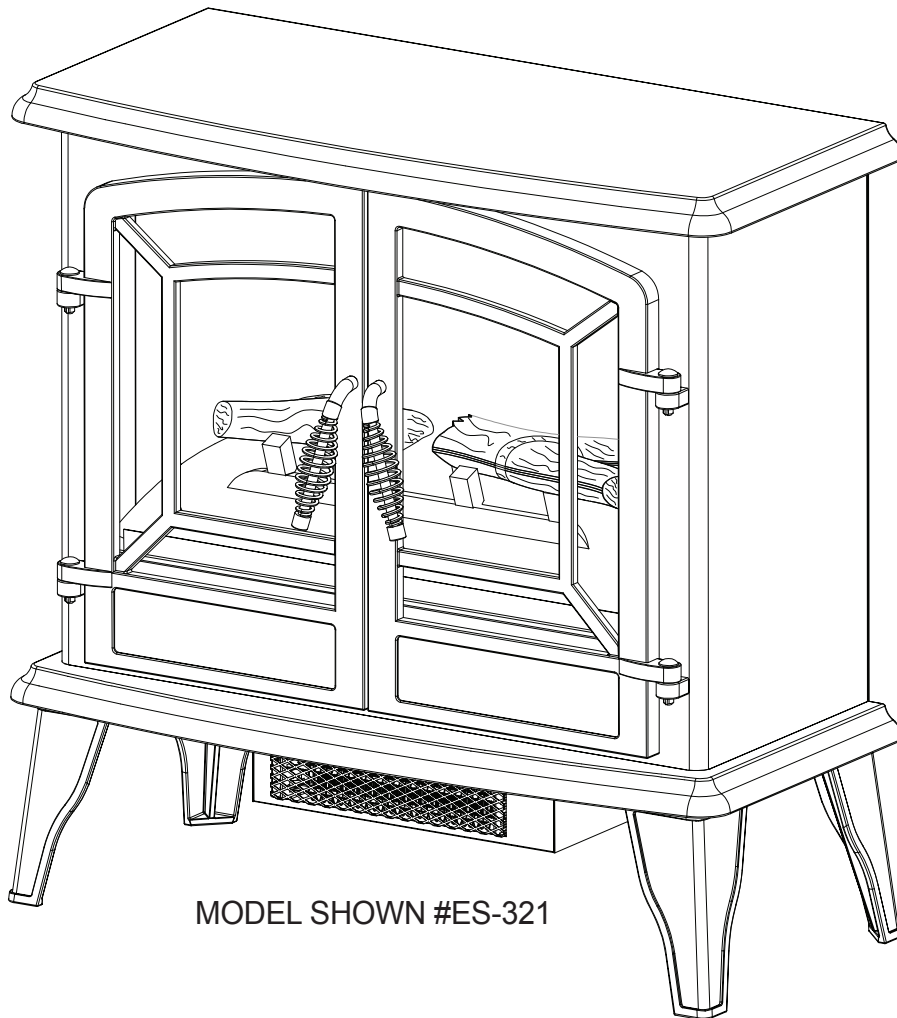


20 IN. / 24 IN. ELECTRIC STOVE

20 IN. MODEL SERIES #ES-321, ES-322, ES-323, SES-21, SES-22, SES-31, SES-32
24 IN. MODEL SERIES #ES-327, SES-51, SES-52

Español p. 17

Francais p. 33



MODEL SHOWN #ES-321



IMPORTANT INSTRUCTIONS

PLEASE READ THIS MANUAL BEFORE INSTALLING AND USING APPLIANCE

WARNING!

IF THE INFORMATION IN THIS MANUAL IS NOT FOLLOWED EXACTLY,
AN ELECTRICAL SHOCK OR FIRE MAY RESULT
CAUSING PROPERTY DAMAGE, PERSONAL INJURY OR LOSS OF LIFE.

INSTALLER: Leave this manual with the appliance.
CONSUMER: Retain this manual for future reference.

ATTACH YOUR RECEIPT HERE


Serial Number _____ Purchase Date _____



Questions, problems, missing parts? Before returning to your retailer, call our customer service department at 1-877-447-4768, 8:30 a.m. – 4:30 p.m. CST, Monday – Friday.

TABLE OF CONTENTS

Safety Information	3
Package Contents	5
Hardware Contents	5
Stove Dimensions	6
Safety Information	7
Preparation	7
Assembly Instructions	7
Operating Instructions	8
Care and Maintenance	9
Electric Wiring Diagram	10
Troubleshooting	11
Warranty	12
Replacement Parts Lists.....	13

 **IMPORTANT: Read all instructions and warnings carefully before starting installation. Failure to follow these instructions may result in a possible electric shock, injury to persons, fire hazard and will void the warranty.**

Please read the Installation & Operating Instructions before using this appliance.


CAUTION

PRODUCT DAMAGE MAY OCCUR.

Never attempt to disassemble or alter the product in any way not instructed by this manual.



Please read and understand this entire manual before attempting to assemble, operate or install the product.

1. Read all instructions before using this appliance.
2. This appliance is hot when in use. To avoid burns, do not let bare skin touch hot surfaces. If provided, use handles when moving this appliance. Keep combustible materials, such as furniture, pillows, bedding, papers, clothes and curtains at least 3 ft. (914 mm) from the front of this appliance and keep them away from the sides and rear.
3.  **CAUTION: Extreme caution is necessary when any heater is used by or near children or invalids and whenever the heater is left operating unattended.**
4. If possible always unplug this appliance when not in use.
5. Do not operate any heater with a damaged cord or plug or after the appliance malfunctions, has been dropped or damaged in any manner.
6. Any repairs to this appliance should be carried out by a qualified service person.
7. Under no circumstances should this appliance be modified. Parts having to be removed for servicing must be replaced prior to operating this appliance again.
8. Do not use outdoors.
9. This heater is not intended for use in bathrooms, laundry areas and similar indoor locations. Never place this appliance where it may fall into a bathtub or other water container.
10. Do not use this heater in elevated locations, such as on shelves, raised platforms, etc.
11. Do not run cord under carpeting. Do not cover cord with throw rugs, runners or the like. Arrange cord away from traffic areas and where it will not be tripped over.
12. To disconnect this appliance, turn controls to the off position, then remove plug from outlet.
13. Connect to properly grounded outlets only.
14. This appliance, when installed, must be electrically grounded in accordance with local codes, with the current CSA C22.1 Canadian Electrical codes or for USA installations, follow local codes and the National Electric Code, ANSI/NFPA No. 70.
15. Do not insert or allow foreign objects to enter any ventilation or exhaust opening as this may cause an electric shock, fire or damage to the appliance.
16. To prevent possible fire, do not block air intakes or exhaust in any manner. Do not use on soft surfaces, like a bed, where openings may become blocked.
17. This appliance has hot and arcing or sparking parts inside. Do not use it in areas where gasoline, paint or flammable liquids are used or stored. This appliance should not be used as a drying rack for clothing, nor should Christmas stockings or decorations be hung on or near it.
18. Use this appliance only as described in this manual. Any other use not recommended by the manufacturer may cause fire, electric shock or injury to persons.
19. Always plug heaters directly into a wall outlet/receptacle. Always plug the unit into a wall outlet/receptacle. An extension cord or re-locatable power tap, (outlet/power strip), should never be used.
20. Do not use this heater with missing, damaged, or broken legs.
21. "SAVE THESE INSTRUCTIONS"

! DANGER



Electrical Connection

A 15 Amp, 120 Volt, 60 Hz circuit with a properly grounded outlet is required. Preferably, the item will be on a dedicated circuit as other appliances on the same circuit may cause the circuit breaker to trip or the fuse to blow when the heater is in operation. The unit comes standard with a 6 ft. (1.8 m) long, three-wire cord, exiting the right side of the item. Always plug the unit into a wall outlet/receptacle. An extension cord or re-locatable power tap, (outlet/power strip), should never be used.



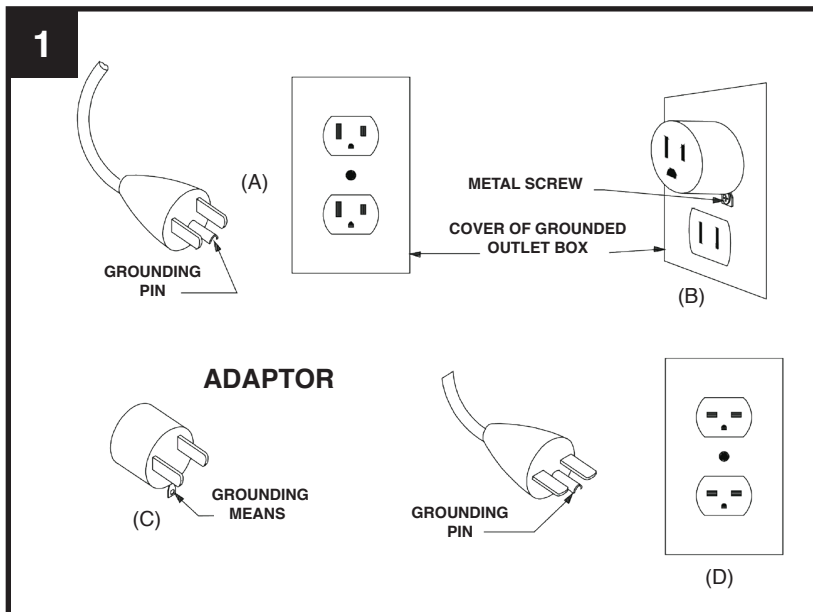
Electrical outlet wiring must comply with local building codes and other applicable regulations to reduce the risk of fire, electrical shock and injury to persons.



Do not use this item if any part of it has been under water. Immediately call a qualified service technician to inspect the item and replace any part of the electrical system which has been under water.

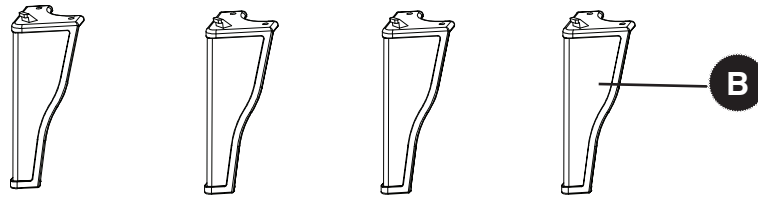
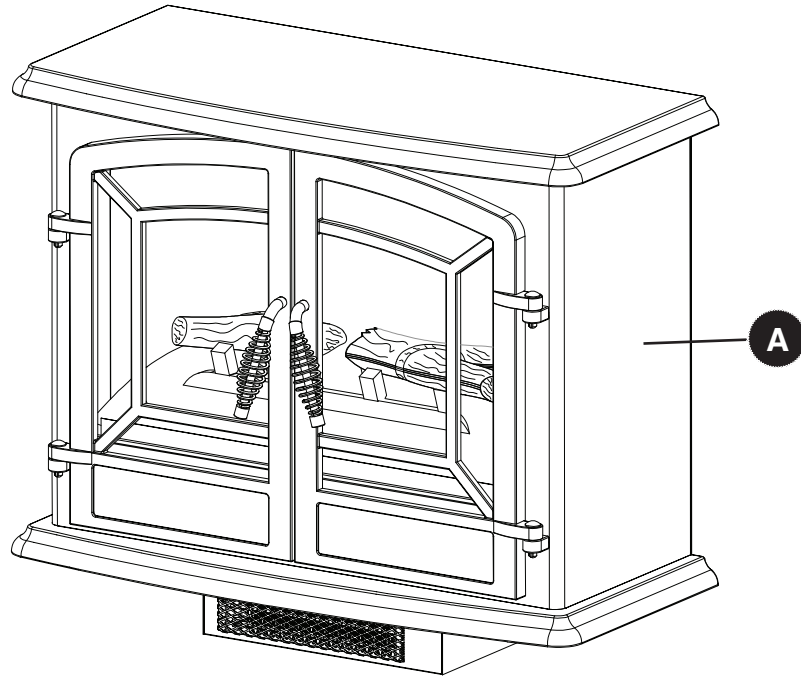
Grounding Instructions

This heater is for use on 120 volts. The cord has a plug as shown at (A) in figure 1. An adaptor as shown at (C) is available for connecting three-blade grounding-type plugs to two-slot receptacles. The green grounding lug extending from the adaptor must be connected to a permanent ground such as a properly grounded outlet box. The adaptor should not be used if a three-slot grounded receptacle is available.



NOTE: Adaptors are NOT for use in Canada.

PACKAGE CONTENTS



MODEL SHOWN #ES-321

PART	DESCRIPTION	QUANTITY
A	Electric Stove	1
B	Leg	4

HARDWARE CONTENTS

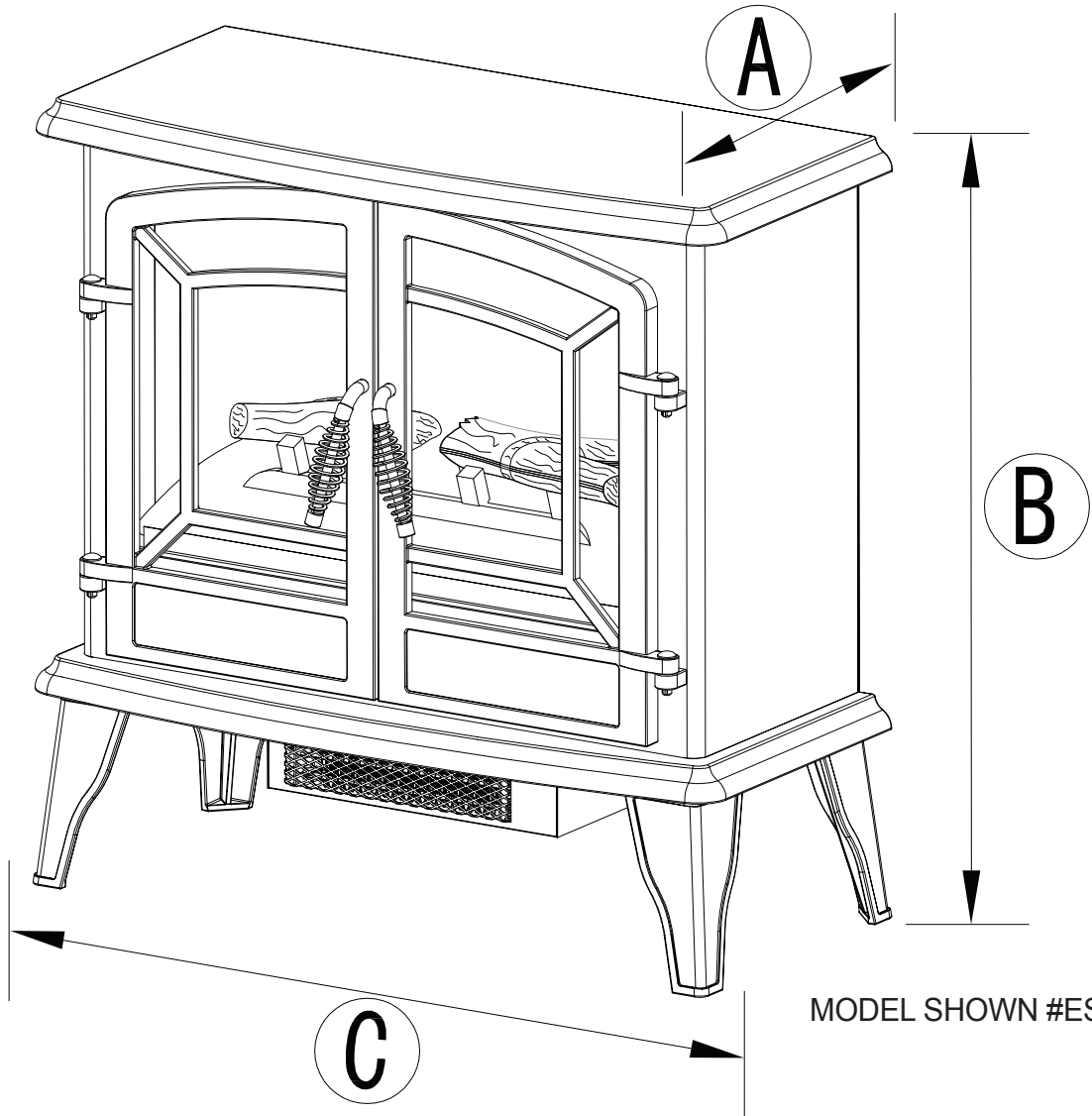
AA



Screw

Qty. 8

STOVE DIMENSIONS



MODEL SHOWN #ES-321

Ref.	ALL 20 IN. MODELS
A	11 in. (27.94 cm)
B	23 in. (58.42 cm)
C	20 in. (50.80 cm)

Ref.	ALL 24 IN. MODELS
A	11 in. (27.94 cm)
B	25 in. (63.60 cm)
C	24 in. (60.96 cm)

TECHNICAL SPECIFICATIONS	
VOLTAGE	120V AC
FREQUENCY	60HZ
AMPS	12.5A
RATING	1500W

! SAFETY INFORMATION

Please read and understand this entire manual before attempting to assemble, operate or install the product. If you have any questions regarding the product, please call customer service at 1-877-447-4768, 8:30 a.m. - 4:30 p.m., CST, Monday - Friday.

! WARNING

- Stove is heavy and should be assembled near its desired location.
- It is recommended that two people move the assembled stove to prevent injury.

! Warning: Do not install unit on shelves, raised platforms, beds, blankets, pillows etc. Keep combustible materials such as furniture, bedding, papers, clothes and curtains at least 3 feet (914 mm) from the stove.

CLEARANCE TO COMBUSTIBLES

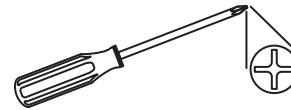
Sides	4 in. (101.6 mm)
Floor	0 in. (0 mm)
Top	36 in. (914 mm)
Front	36 in. (914 mm)
Rear	0 in. (0 mm)

PREPARATION

Before beginning assembly of product, make sure all parts are present. Compare parts with package contents list and hardware contents above. If any part is missing or damaged, do not attempt to assemble the product. Contact customer service for replacement parts.

Estimated Assembly Time: 20 minutes

Tools Required for Assembly (not included): Phillips screwdriver

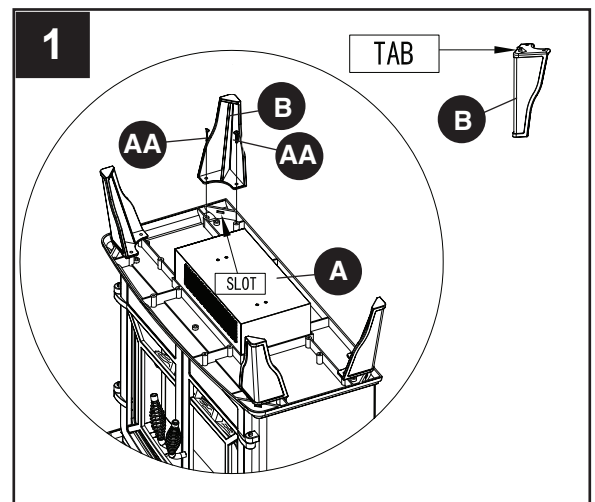


ASSEMBLY INSTRUCTIONS

1. Lay stove (A) upside down on a padded surface with the underside accessible. Attach leg (B) to stove by inserting the tab on the top of the leg (B) into the corresponding slot on the bottom of the stove (A). Insert two screws (AA) into predrilled holes and tighten securely. Repeat with remaining three legs.

Hardware Used

AA Screw  x 8



OPERATING INSTRUCTIONS

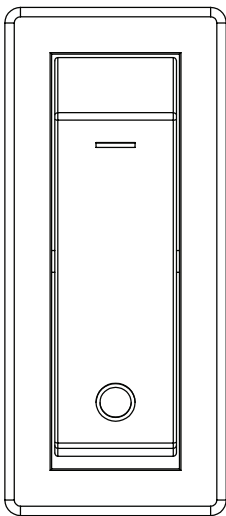
Read All Instructions Before Use

Check that the heater outlet grill is not covered or obstructed in anyway, and make sure the power to the unit is switched on.

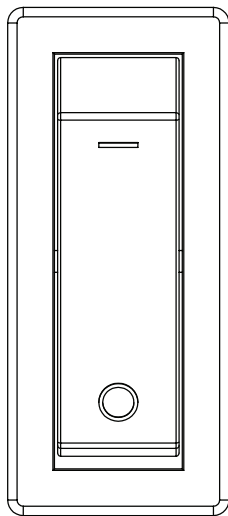
NOTE: When the heat function is used for the first time, a slight odor may be present. This is normal and should not occur again unless the heater is not used for an extended period of time.

Control Panel

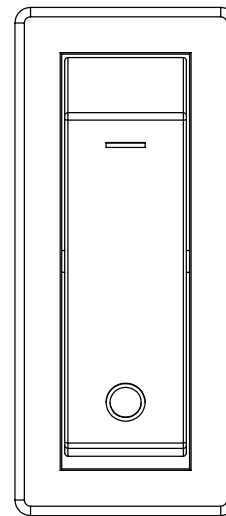
The control panel is located behind the doors of the stove.



1500W



750W



I/O

Power

Make sure the POWER (I/O) switch is OFF. Plug the power cord into a 120 Volt 15 Amp grounded outlet (see Safety Information).

Flame Effect: Toggle POWER (I/O) switch ON. The POWER indicator light will glow. Flame effect will be visible through the front doors.

Heat (Low): With the POWER (I/O) switch ON, toggle the LOW (750W) switch ON. The LOW indicator light will glow. Warm air will blow.

Heat (High): With the POWER (I/O) switch and LOW switch both ON, toggle the HIGH (1500W) switch ON. The HIGH indicator light will glow. Hot air will blow.

Temperature Limiting Control

This heater is equipped with a Temperature Limiting Control. Should the heater reach an unsafe temperature, the heater will automatically turn off. To reset: Unplug the power cord from the outlet. Wait 5 minutes. With the POWER switch in the OFF position, plug the power cord back into the outlet.

CARE AND MAINTENANCE

Cleaning

Always turn the stove OFF and unplug the power cord from the outlet before cleaning. Use a vacuum or duster to remove dust and dirt from the heater and vent areas. To maintain the finish, clean with a soft, slightly damp cloth and buff with a dry cloth. Never use abrasive cleansers, liquid sprays, or any cleaner that could scratch the surface.

Never drag the unit across a floor. The added stress from dragging the unit may cause the legs to break.

Glass Information (some models)

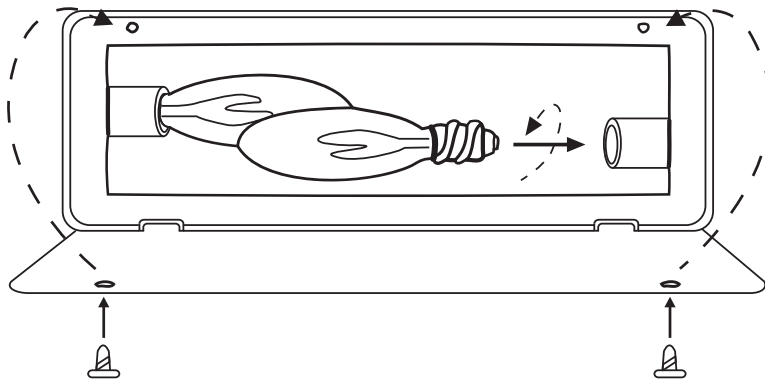
1. Under no circumstances should this product be operated with broken glass.
2. Do not strike or slam the glass.
3. Do not use abrasive cleaners to clean the glass.
4. This product uses tempered glass. Replacement of the glass supplied by the manufacturer should be done by a qualified service person.

Light Bulb Inspection and Replacement

The flame effect is created by two 40-Watt light bulbs with an E-12 (small) socket base. Use only this type of light bulb. If the flame effect does not work, the bulbs may have come loose or been damaged during shipping.

⚠ WARNING: Light bulbs become very hot during use. Allow at least 10 minutes for the bulbs to cool before touching.

To inspect or replace the bulbs, first unplug the power cord from the outlet. Locate the access panel on the back of the stove. Remove the screws and the panel. Check the bulbs to be sure they are finger tight and in working order. Replace any damaged or faulty bulbs. Reattach the access panel. Do not operate this heater without the access panel in place. Do not remove the back cover of this heater. There are no serviceable parts inside.



⚠ WARNING: Do not exceed 40 watts per bulb. Use of higher rated bulbs may result in a fire, causing property damage or personal injury.

Maintenance of Motors

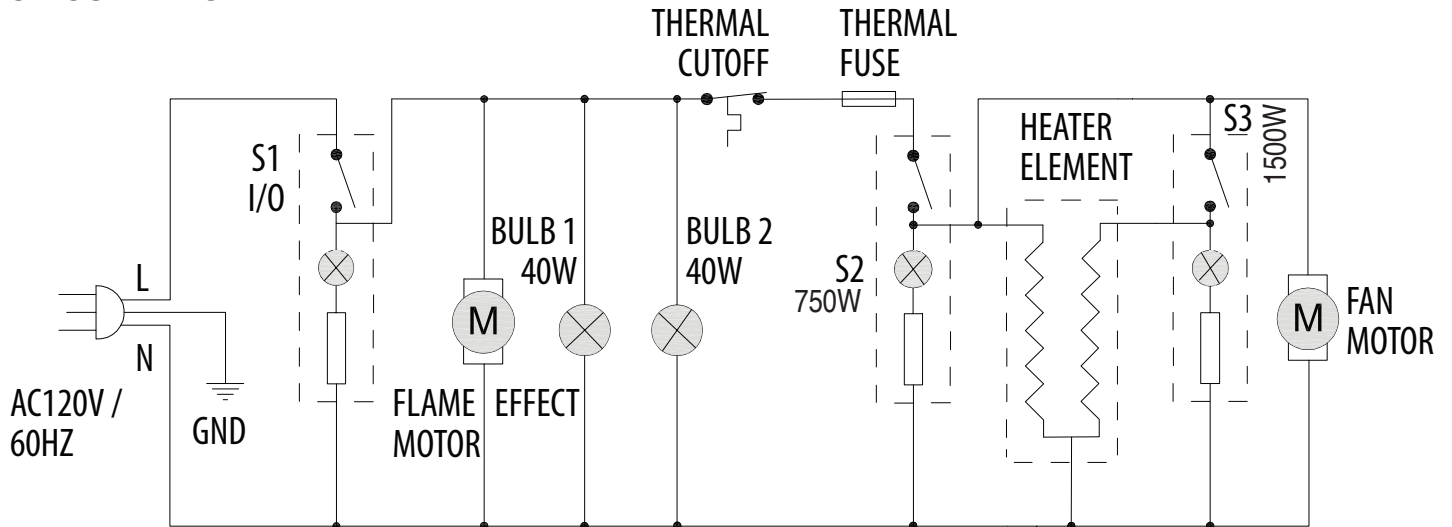
⚠ WARNING : Always disconnect the appliance from the main power supply and allow it to cool before any servicing operation.

The motors used on the fan heater and flame effect are pre-lubricated for extended bearing life and require no further lubrication. However, periodic cleaning/vacuumping of the appliance around the air intake and exhaust, as well as the fan heater is recommended. For heavy or continuous use, periodic cleaning must be done more frequently. If the heater blows alternating cold and warm air, check the fan for free movement and for debris restricting air flow. If the fan does not move freely, the unit must be turned off and the fan replaced immediately in order to prevent further damage to the unit.

ELECTRIC WIRING DIAGRAM

Any electrical repairs or rewiring of this unit should be carried out by a licensed electrician in accordance with national and local codes.

CIRCUIT DIAGRAM



⚠ DANGER



Disconnect power before servicing.



Any electrical re-wiring of this appliance must be done by a qualified electrician. This wiring must be done in accordance with local codes and/or in Canada with the current CSA C22.1 Canadian Electrical Code, and for US installations, the National Electrical Code ANSI/NFPA No. 70.



If repairing or replacing any electrical component or wiring, the original wire routing, color coding and securing locations must be followed.

TROUBLESHOOTING

If you have any questions regarding the product, please call customer service at 1-877-447-4768, 8:30 a.m. – 4:30 p.m. CST, Monday – Friday.

PROBLEM	POSSIBLE CAUSE	CORRECTIVE ACTION
Stove does not operate.	<ol style="list-style-type: none"> 1. The stove is not plugged in. 2. A circuit breaker is tripped or a fuse blown. 3. Defective ON/OFF switch. 4. Loose wiring. 	<ol style="list-style-type: none"> 1. Make sure the stove is plugged in to a standard 120V outlet. 2. Check additional appliances on the circuit; ideally the stove should be on a dedicated 15 Amp circuit. 3. Call customer service. 4. Call customer service.
Power light is ON but the flame effect is not visible.	<ol style="list-style-type: none"> 1. Incorrect operation. 2. Loose light bulb(s). 3. Burnt out light bulb(s). 	<ol style="list-style-type: none"> 1. Refer to operating instructions. 2. Tighten light bulb(s). 3. Replace light bulb(s).
Heater is not operating.	<ol style="list-style-type: none"> 1. Incorrect operation. 2. Defective heater switch. 3. Defective heater assembly. 4. Loose wiring. 5. Dirty or clogged vents. 	<ol style="list-style-type: none"> 1. Refer to operating instructions. 2. Call customer service. 3. Call customer service. 4. Call customer service. 5. Unplug the unit. Clear vent area of dust and debris. Wait ten minutes, plug the unit in again and turn on the heater.
Excessive noise when the heater is operating.	<ol style="list-style-type: none"> 1. Defective fan. 2. Defective heater assembly. 	<ol style="list-style-type: none"> 1. Call customer service. 2. Call customer service.

WARRANTY

The manufacturer warrants that your new electric stove is free from manufacturing and material defects for a period of one year from date of purchase, subject to the following conditions and limitations.

1. This electric stove must be installed and operated at all times in accordance with the instructions furnished with the product. Any alteration, willful abuse, accident, or misuse of the product shall nullify this warranty.
2. This warranty is non-transferrable, and is made to the original owner, provided that the purchase was made through an authorized supplier of the manufacturer.
3. This warranty is limited to the repair or replacement of part(s) found to be defective in material or workmanship, provided that such part(s) have been subjected to normal conditions of use and service, after said defect is confirmed by the manufacturer's inspection.
4. The manufacturer may, at its discretion, fully discharge all obligations with respect to this warranty by refunding the wholesale price of the defective part(s).
5. Any installation, labor, construction, transportation, or other related costs/expenses arising from defective part(s), repair, replacement, or otherwise of same, will not be covered by this warranty, nor shall the manufacturer assume responsibility for same. Further, the manufacturer will not be responsible for any incidental, indirect, or consequential damages, except as provided by law.
6. All other warranties - expressed or implied - with respect to the product, its components and accessories, or any obligations/liabilities on the part of the manufacturer are hereby expressly excluded.
7. The manufacturer neither assumes, nor authorizes any third party to assume, on its behalf, any other liabilities with respect to the sale of this product.
8. The warranties as outlined within this document do not apply to non-manufacturer accessories used in conjunction with the installation of this product.
9. This warranty does not cover the lightbulb(s) included with the fireplace.

This warranty is void if:

- a) The stove has been operated in atmospheres contaminated by chlorine, fluorine or other damaging chemicals.
- b) The stove is subjected to prolonged periods of dampness or condensation.
- c) Any alteration, willful abuse, accident, or misuse of the product.

IF WARRANTY SERVICE IS NEEDED . . .

- 1) Contact customer service at 1-877-447-4768, 8:30 a.m. – 4:30 pm CST, Monday – Friday. Make sure you have your warranty, your sales receipt, and the model/serial number of your product.
- 2) DO NOT ATTEMPT TO DO ANY SERVICE WORK YOURSELF.

GHP Group, Inc.
8280 Austin Avenue • Morton Grove, IL. • 60053-3207

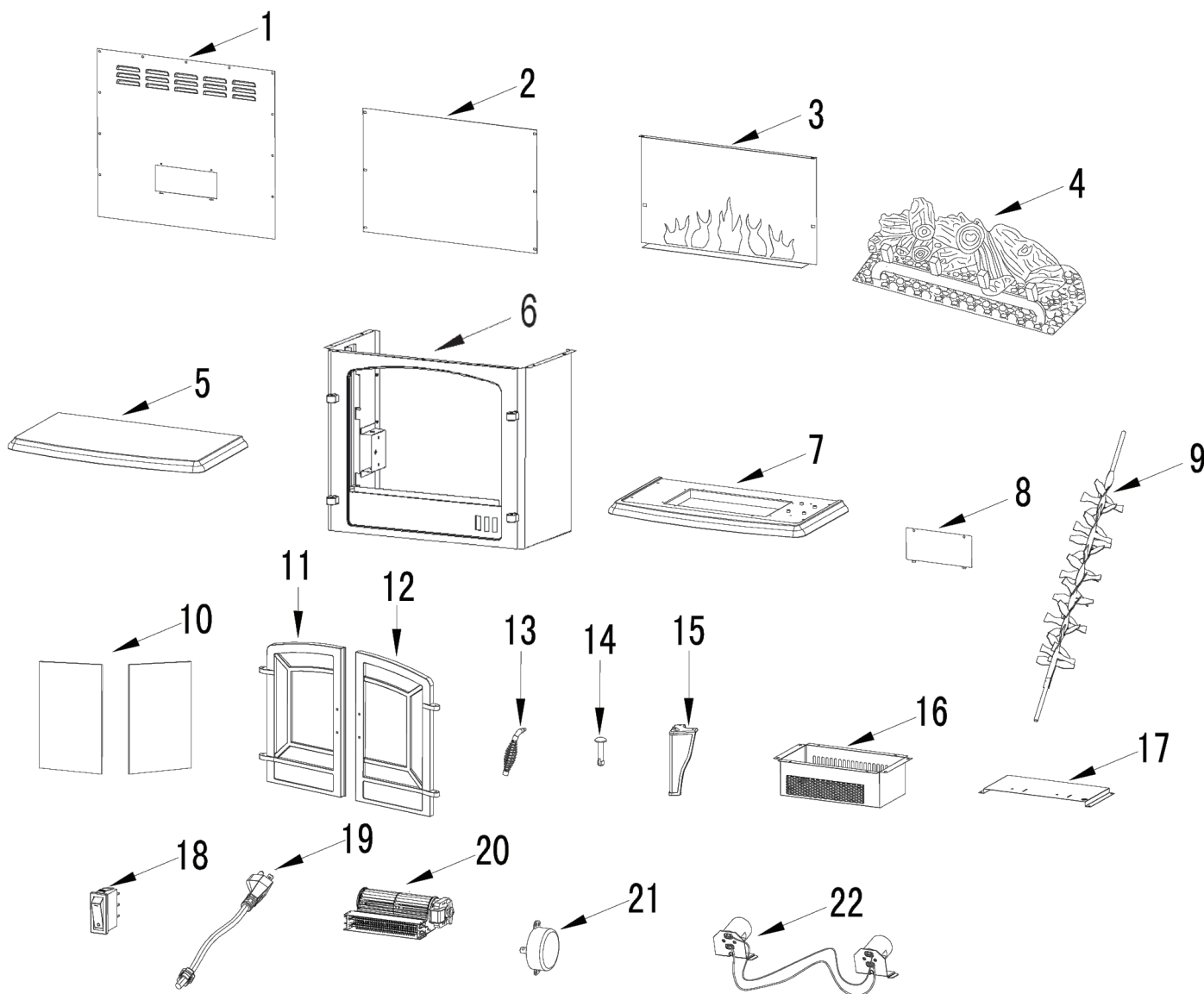
REPLACEMENT PARTS LIST - 20 IN. MODELS #ES-321, SES-21, AND SES-22

For replacement parts, please call customer service at 1-877-447-4768, 8:30 a.m. – 4:30 p.m. CST, Monday – Friday.

PART	DESCRIPTION	PART #
1	Back Panel	EFES323001ST
2	Screen	EFES323002ST
3	Flame Panel	EFES323003ST
4	Log Set	EFES323004ST
5	Top Panel	EFES323005ST
6	Cabinet Panel	EFES321003ST
7	Bottom Panel	EFES323007ST
8	Access Panel	EFES323008ST
9	Flame Reflector	EFES323009ST
10	Glass	EFES322002ST
11	Left Door	EFES321001ST

PART	DESCRIPTION	PART #
12	Right Door	EFES321002ST
13	Handle	EFES322005ST
14	Hinge Pin	EFES323013ST
15	Leg (Design 1)	EFEST330015ST
16	Fan Heater Box	EFES323015ST
17	Light Barrier Panel	EFES323016ST
18	Switch	EFES323017ST
19	Power Cord & Connector	EFES323018ST
20	Heater Fan	EFES322007ST
21	Motor	EFES323020ST
22	Lamp Socket & Bracket	EFES323021ST

Some parts and specifications may change without notice.



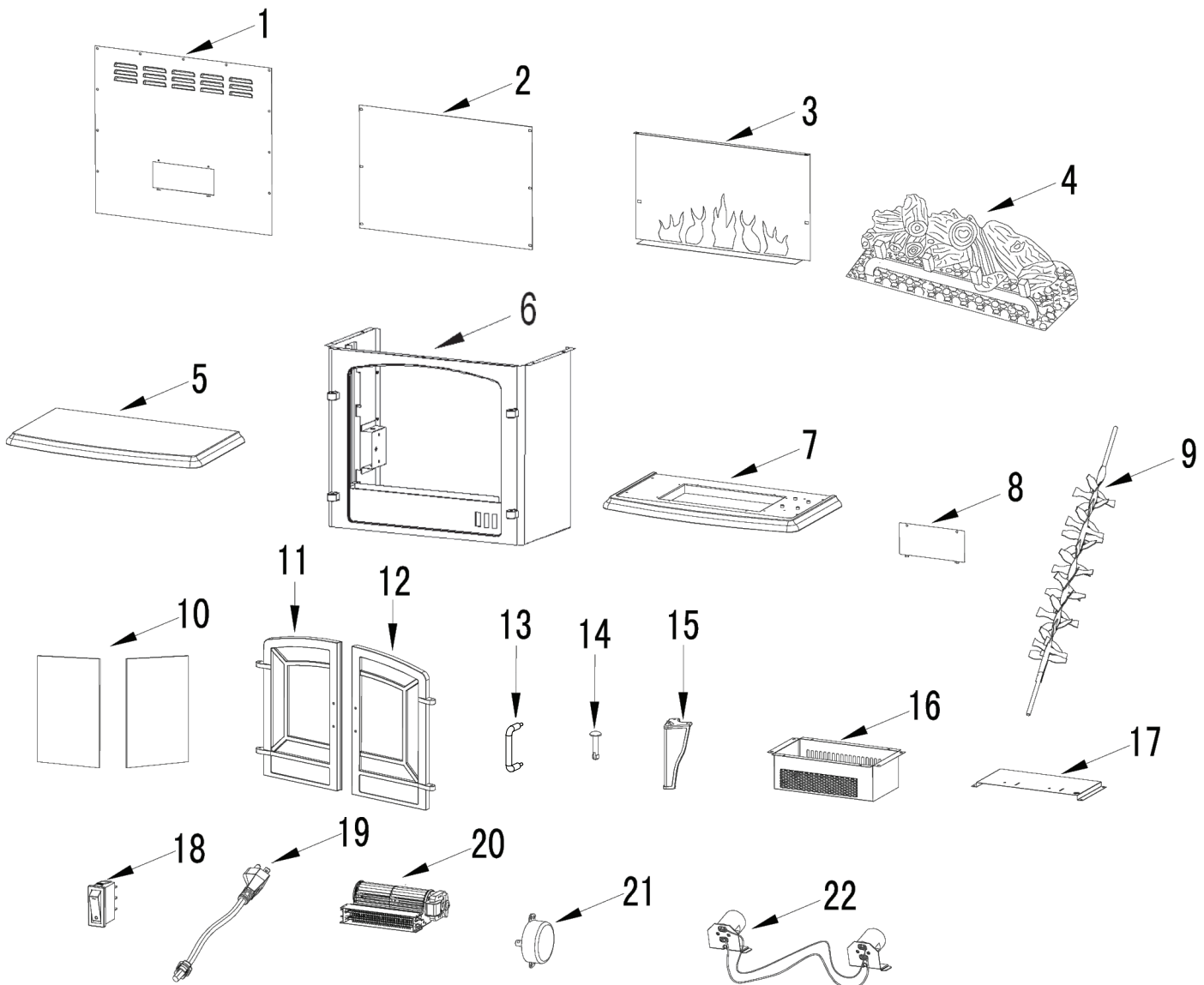
REPLACEMENT PARTS LIST - 20 IN. MODEL #ES-322

For replacement parts, please call customer service at 1-877-447-4768, 8:30 a.m. – 4:30 p.m. CST, Monday – Friday.

PART	DESCRIPTION	PART #
1	Back Panel	EFES323001ST
2	Screen	EFES323002ST
3	Flame Panel	EFES323003ST
4	Log Set	EFES323004ST
5	Top Panel	EFES323005ST
6	Cabinet Panel	EFES321003ST
7	Bottom Panel	EFES323007ST
8	Access Panel	EFES323008ST
9	Flame Reflector	EFES323009ST
10	Glass	EFES322002ST
11	Left Door	EFES321001ST

PART	DESCRIPTION	PART #
12	Right Door	EFES321002ST
13	Handle	EFSES51013ST
14	Hinge Pin	EFES323013ST
15	Leg (Design 1)	EFEST330015ST
16	Fan Heater Box	EFES323015ST
17	Light Barrier Panel	EFES323016ST
18	Switch	EFES323017ST
19	Power Cord & Connector	EFES323018ST
20	Heater Fan	EFES322007ST
21	Motor	EFES323020ST
22	Lamp Socket & Bracket	EFES323021ST

Some parts and specifications may change without notice.



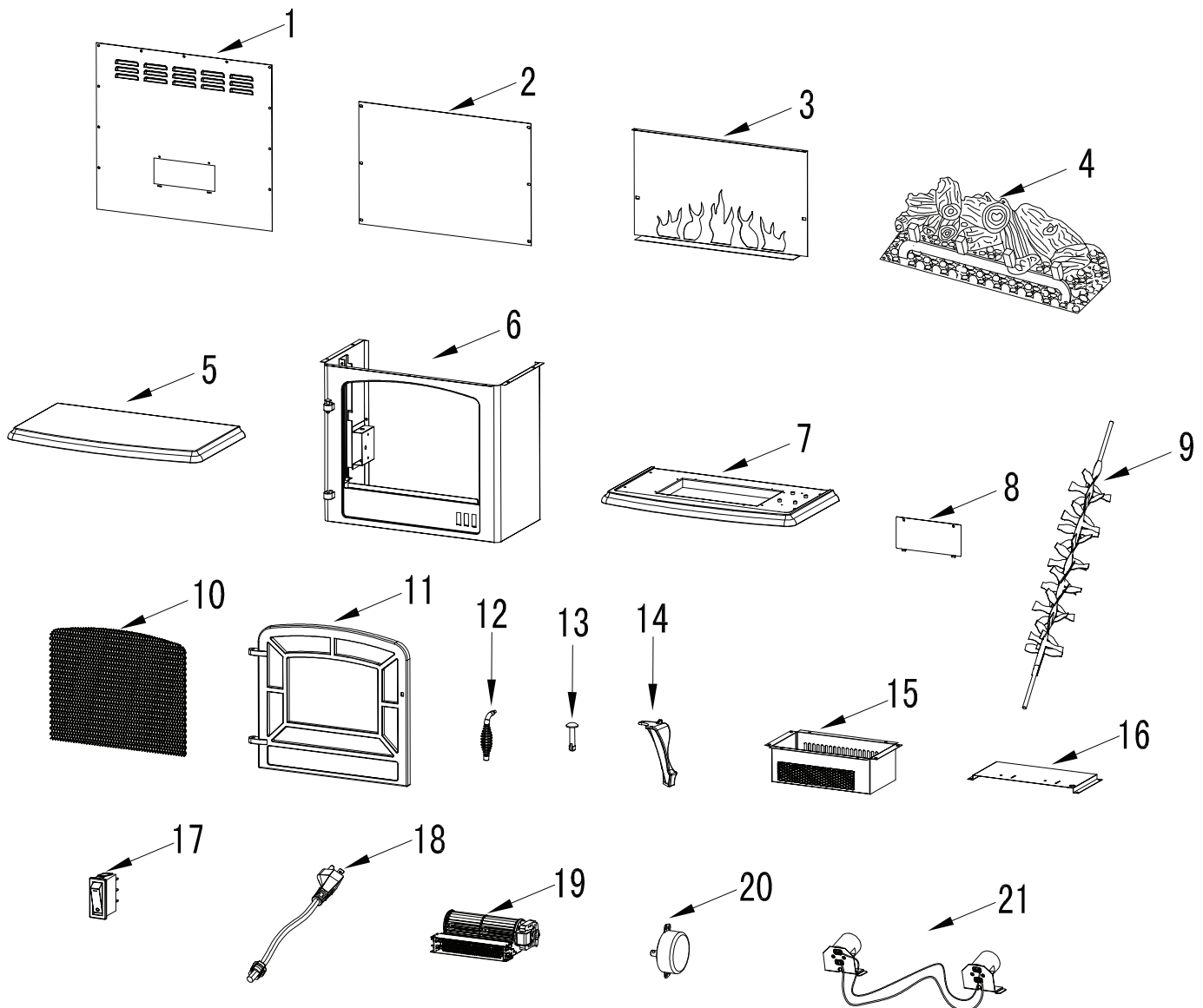
REPLACEMENT PARTS LIST - 20 IN. MODELS #ES-323, SES-31, AND SES-32

For replacement parts, please call customer service at 1-877-447-4768, 8:30 a.m. – 4:30 p.m. CST, Monday – Friday.

PART	DESCRIPTION	PART #
1	Back Panel	EFES323001ST
2	Screen	EFES323002ST
3	Flame Panel	EFES323003ST
4	Log Set	EFES323004ST
5	Top Panel	EFES323005ST
6	Cabinet Panel	EFES323006ST
7	Bottom Panel	EFES323007ST
8	Access Panel	EFES323008ST
9	Flame Reflector	EFES323009ST
10	Door Mesh	EFES323010ST
11	Door	EFES323011ST

PART	DESCRIPTION	PART #
12	Handle	EFES323012ST
13	Hinge Pin	EFES323013ST
14	Leg (Design 2)	EFES323014ST
15	Fan Heater Box	EFES323015ST
16	Light Barrier Panel	EFES323016ST
17	Switch	EFES323017ST
18	Power Cord & Connector	EFES323018ST
19	Heater Fan	EFES323019ST
20	Motor	EFES323020ST
21	Lamp Socket & Bracket	EFES323021ST

Some parts and specifications may change without notice.



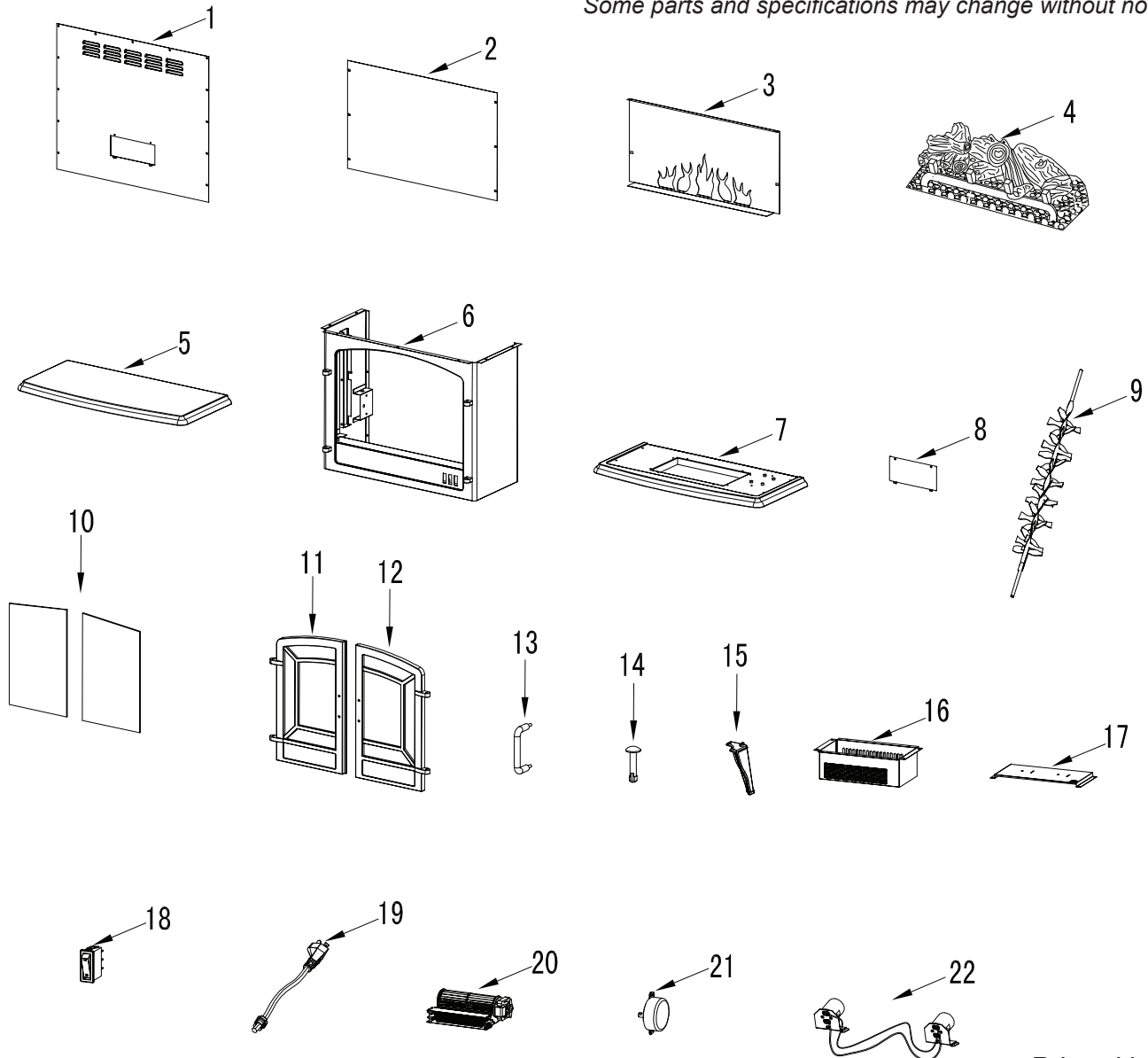
REPLACEMENT PARTS LIST - 24 IN. MODELS #ES-327, SES-51, AND SES-52

For replacement parts, please call customer service at 1-877-447-4768, 8:30 a.m. – 4:30 p.m. CST, Monday – Friday.

PART	DESCRIPTION	PART #
1	Back Panel	EFSES51001ST
2	Screen	EFSES51002ST
3	Flame Panel	EFSES51003ST
4	Log Set	EFSES51004ST
5	Top Panel	EFSES51005ST
6	Cabinet Panel	EFSES51006ST
7	Bottom Panel	EFSES51007ST
8	Access Panel	EFES323008ST
9	Flame Reflector	EFSES51009ST
10	Glass	EFSES51010ST
11	Left Door	EFSES51011ST

PART	DESCRIPTION	PART #
12	Right Door	EFSES51012ST
13	Handle	EFSES51013ST
14	Hinge Pin	EFES323013ST
15	Leg (Design 1)	EFEST330015ST
16	Fan Heater Box	EFES323015ST
17	Light Barrier Panel	EFES323016ST
18	Switch	EFES323017ST
19	Power Cord & Connector	EFES323018ST
20	Heater Fan	EFES323019ST
21	Motor	EFES323020ST
22	Lamp Socket & Bracket	EFES323021ST

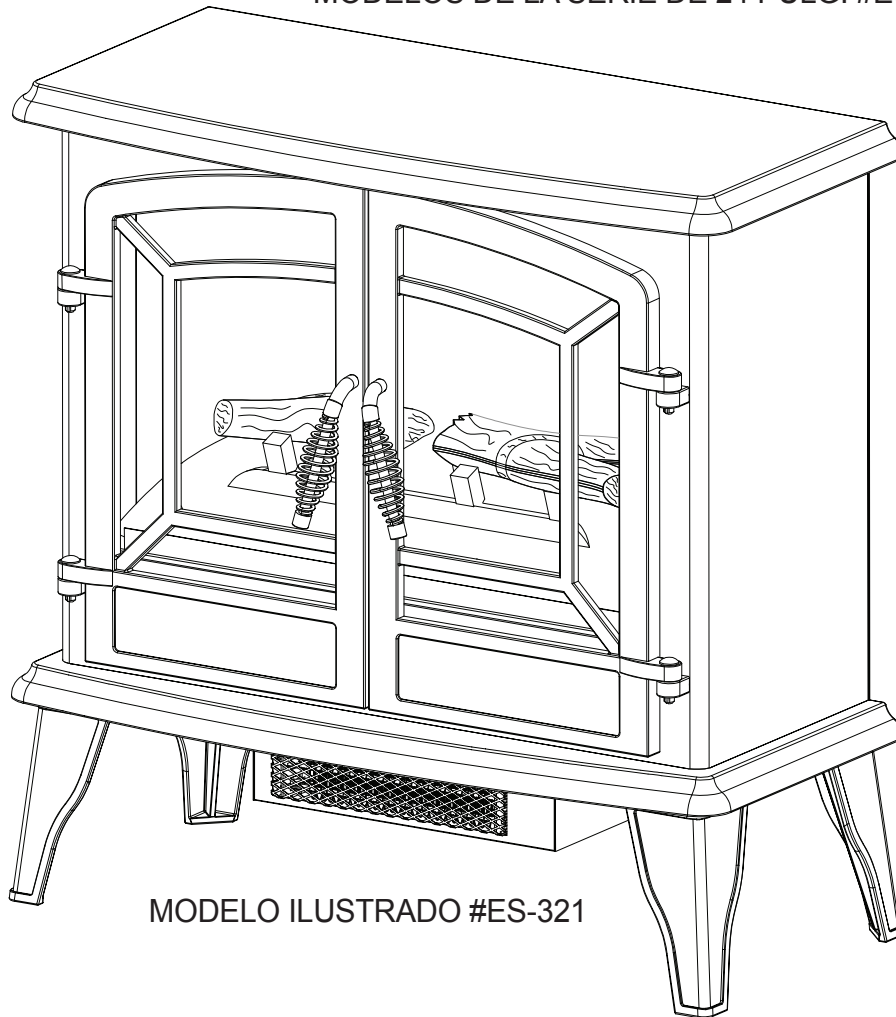
Some parts and specifications may change without notice.



ESTUFA ELÉCTRICA DE 20 PULG. Y 24 PULG.

MODELOS DE LA SERIE DE 20 PULG. #ES-321, ES-322, ES-323, SES-21, SES-22, SES-31, SES-32

MODELOS DE LA SERIE DE 24 PULG. #ES-327, SES-51, SES-52



MODELO ILUSTRADO #ES-321



INSTRUCCIONES IMPORTANTES

LEA ESTE MANUAL ANTES DE INSTALAR Y USAR EL ELECTRODOMÉSTICO

¡ADVERTENCIA!

SI NO SE SIGUE CON PRECISIÓN LA INFORMACIÓN DE ESTE MANUAL, SE PUEDE PRODUCIR UNA DESCARGA ELÉCTRICA O UN INCENDIO QUE PRODUZCA DAÑOS A LA PROPIEDAD, LESIONES PERSONALES O MUERTE.

INSTALADOR: Deje este manual con el electrodoméstico.
CONSUMIDOR: Conserve este manual para referencia futura.

ADJUNTE SU RECIBO AQUÍ

Número de serie _____ Fecha de compra _____



¿Preguntas, problemas, piezas faltantes? Antes de volver a la tienda, comuníquese con nuestro departamento de Servicio al Cliente llamando al 877-447-4768, de 8:30 a.m. a 4:30 p.m. hora central estándar, de lunes a viernes.

ÍNDICE

Información de seguridad	19
Contenido del paquete	21
Aditamentos del paquete.....	21
Dimensiones de la estufaa	22
Información de seguridad.....	23
Preparación	23
Instrucciones de ensamblaje.....	23
Instrucciones de operación.....	24
Cuidado y mantenimiento.....	25
Diagrama del cableado eléctrico	26
Solución de problemas	27
Garantía.....	28
Listas de piezas de repuesto.....	29



IMPORTANTE: lea con atención todas las instrucciones y advertencias antes de comenzar la instalación. Si no se siguen las instrucciones, se puede provocar una descarga eléctrica, lesiones a personas, riesgo de incendio, lo que anulará la garantía.

Lea estas instrucciones de instalación y funcionamiento antes de utilizar el electrodoméstico.


PRECAUCIÓN

EL DAÑO DEL PRODUCTO PUEDE OCURRIR.

Nunca trate de desarmar o alterar este producto sin seguir las instrucciones de este manual.



Lea y comprenda completamente este manual antes de intentar ensamblar, usar o instalar el producto.

1. Lea todas las instrucciones antes de usar este electrodoméstico.
2. Este electrodoméstico se calienta cuando está en funcionamiento. Para evitar quemaduras, no toque superficies calientes con la piel desnuda. Si se incluyen, utilice las manijas para trasladar el electrodoméstico. Mantenga materiales inflamables, como muebles, almohadas, ropa de cama, papeles, ropa y cortinas al menos a 914,4 mm (3 pies) de la parte delantera de este electrodoméstico y mantenerlos alejados de los costados y parte trasera..
3.  **PRECAUCIÓN: Se debe tener extrema precaución cuando niños o personas discapacitadas usen un calentador o cuando se use cerca de ellos, y siempre que el calentador se deje funcionando sin vigilancia.**
4. Si es posible, siempre desenchufe este electrodoméstico cuando no lo use.
5. No opere ningún calentador con un cable o enchufe dañados, o después de fallas del mismo, de que se haya dejado caer o dañado de cualquier forma.
6. Toda reparación de este electrodoméstico debe realizarla un técnico calificado.
7. Bajo ninguna circunstancia se debe modificar este electrodoméstico. Las piezas que se deben retirar para reparación se deben reemplazar antes de volver a hacer funcionar este electrodoméstico.
8. No lo use en exteriores.
9. Este calentador no se debe usar en el baño, lavadero y en espacios húmedos similares interiores. Nunca coloque este calentador donde se pueda caer dentro de una bañera u otro contenedor de agua.
10. No utilice este calentador en lugares elevados como por ejemplo sobre repisas, plataformas elevadas, etc.
11. No coloque el cable debajo de una alfombra. No cubra el cable con alfombras, tapetes o similares. Coloque el cable lejos de zonas de tránsito en donde nadie se pueda tropezar y caer.
12. Para desconectar este electrodoméstico, gire los controles a la posición de apagado y luego retire el enchufe del tomacorriente.
13. Conecte únicamente a un tomacorriente con la debida puesta a tierra.
14. Cuando está instalado, este electrodoméstico se debe poner a tierra según los códigos locales, según los Códigos de Electricidad de Canadá CSA C22.1 o, para instalaciones en EE.UU., siga los códigos locales y el código nacional de electricidad, ANSI/NFPA No. 70.
15. No introduzca objetos extraños ni permita que entren en las aberturas de escape o ventilación, ya que pueden provocar descargas eléctricas, incendios o daños en el electrodoméstico.
16. Para evitar incendios, no bloquee las entradas ni salidas de aire de ninguna manera. No use sobre superficies blandas, como una cama, donde las aberturas se puedan bloquear.
17. Este electrodoméstico tiene en su interior piezas calientes y piezas que forman arcos eléctricos o que echan chispas. No lo use en áreas donde se use o almacene gasolina, pintura o líquidos inflamables. Este electrodoméstico no se debe usar como una rejilla para secar ropa, ni tampoco se deben colgar calcetas navideñas o decoraciones en el electrodoméstico o cerca de éste.
18. Utilice este electrodoméstico sólo como se describe en este manual. Cualquier otro uso no recomendado por el fabricante puede causar incendios, descargas eléctricas o lesiones personales.
19. Siempre conecte las estufas directamente al enchufe/toma de electricidad de la pared. Siempre enchufe la unidad en un tomacorriente/receptáculo de la pared. Nunca deben usarse una extensión eléctrica ni un tomacorriente de alimentación reubicable (tomacorriente/enchufe múltiple).
20. No utilice este calentador cuando le falten patas o estén dañadas o rotas.
21. GUARDE ESTAS INSTRUCCIONES.

! PELIGRO



Conexión eléctrica

Se requiere un circuito de 15 amperios, 120 voltios, 60 Hz con un tomacorriente correctamente puesto a tierra. De preferencia, la articulo debe estar en un circuito dedicado, ya que la conexión de otros electrodomésticos al mismo circuito puede provocar que el interruptor de circuito se desconecte o que el fusible se funda cuando el calentador esté en funcionamiento. Se incluye como estándar con la unidad un cable de tres conductores de 1,83 m (6 pies) de largo, que sale del lado derecho de la articulo. Siempre enchufe la unidad en un tomacorriente/receptáculo de la pared. Nunca deben usarse una extensión eléctrica ni un tomacorriente de alimentación reubicable (tomacorriente/enchufe múltiple).



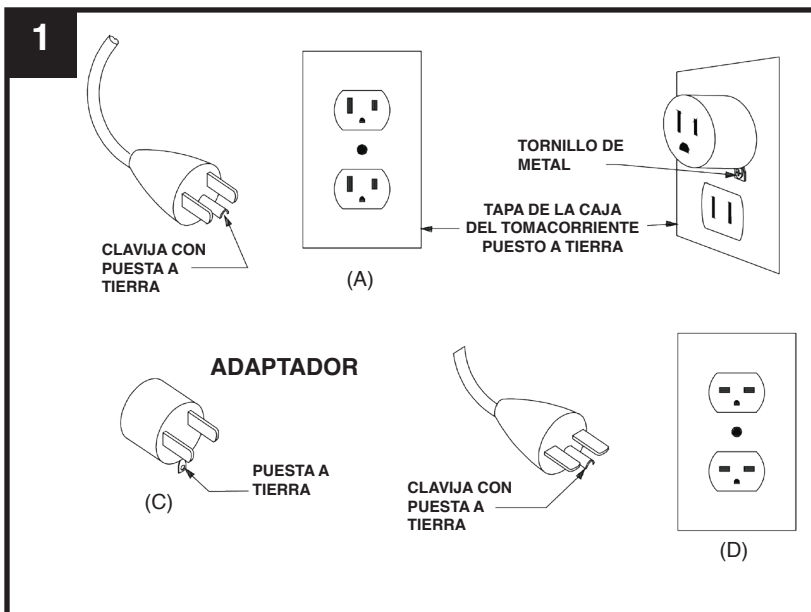
El cableado del tomacorriente debe cumplir con los códigos de construcción locales y con otras normas que correspondan para reducir el riesgo de incendio, descarga eléctrica y lesiones a personas.



No utilice esta articulo si alguna de sus piezas estuvo sumergida en agua. Llame de inmediato a un técnico en mantenimiento calificado a fin de que inspeccione la articulo y reemplace cualquier pieza del sistema eléctrico que haya estado bajo agua.

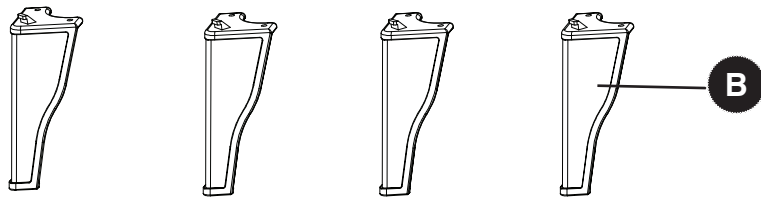
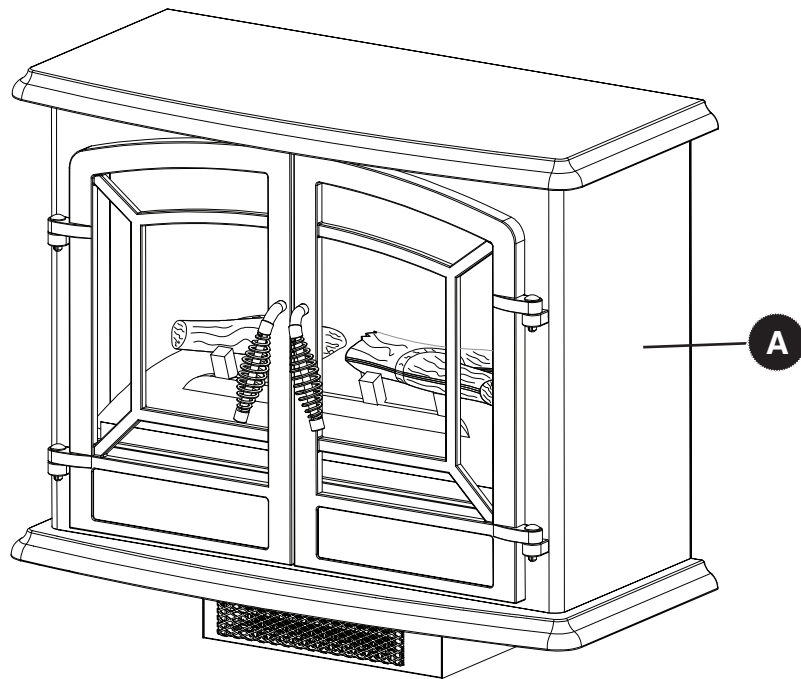
Instrucciones de puesta a tierra

Este calentador fue diseñado para su uso en 120 voltios. El cable tiene un enchufe, como se muestra en A de la figura 1. Hay disponible un adaptador, como se muestra en C, para conectar enchufes con puesta a tierra de tres clavijas a receptáculos de dos ranuras. La orejeta verde de puesta a tierra que sale del adaptador se debe conectar permanentemente a tierra, como a través de una caja de un tomacorriente correctamente puesto a tierra. El adaptador no se debe usar si hay disponible un receptáculo de tres ranuras puesto a tierra.



NOTA:
Los adaptadores NO son para ser utilizados en Canadá

CONTENIDO DEL PAQUETE



MODELO ILUSTRADO #ES-321

PIEZA	DESCRIPCIÓN	CANTIDAD
A	Estufa eléctrica	1
B	Pata	4

ADITAMENTOS

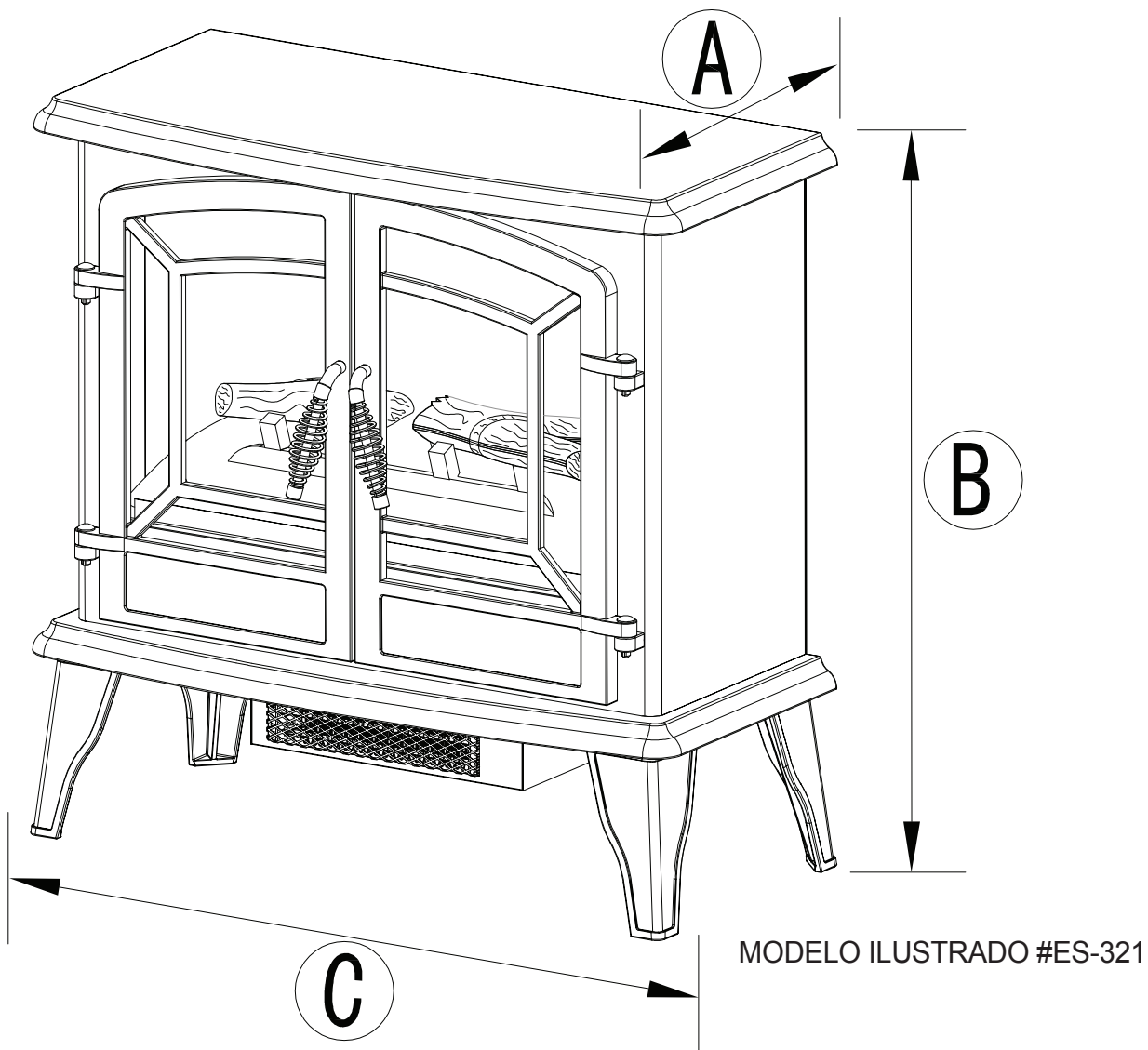
AA



Tornillo

Cant. 8

DIMENSIONES DE LA ESTUFA



Ref.	Todos los modelos de 20 pulg.
A	11 pulg. (27.94 cm)
B	23 pulg. (58.42 cm)
C	20 pulg. (50.80 cm)

Ref.	Todos los modelos de 24 pulg.
A	11 pulg. (27.94 cm)
B	25 pulg. (63.60 cm)
C	24 pulg. (60.96 cm)

ESPECIFICACIONES TÉCNICAS	
VOLTAJE	120V AC
FRECUENCIA	60HZ
AMPERAJE	12.5A
POTENCIA DE SERVICIO DEL CALENTADOR	1500W

! INFORMACIÓN DE SEGURIDAD

Lea y comprenda completamente este manual antes de intentar ensamblar, usar o instalar el producto. Si tiene preguntas relacionadas con el producto, llame al Servicio al Cliente al 1-877-447-4768, entre 8 h 30 et 16 h 30, HNC, du lundi au vendredi.

! PRECAUCIONES

- Estufa es pesado y debe ser montado cerca de su ubicación deseada.
- Se recomienda que dos personas se desplazan la estufa se reunieron para prevenir lesiones.

! ADVERTENCIA: No instale la unidad en los estantes, plataformas elevadas, camas, mantas, almohadas, etc Mantenga los materiales combustibles, tales como muebles, ropa de cama, papeles, ropa y cortinas por lo menos 3 pies (914 mm) de la estufa.

Distancia de separacion con elementós inflamables	
Lateral	4 in. (101.6 mm)
Piso	0 in. (0 mm)
Parte superior	36 in. (914 mm)
Parte delantera	36 in. (914 mm)
Trasero	0 in. (0 mm)

PREPARACIÓN

Antes de comenzar a ensamblar el producto, asegúrese de tener todas las piezas. Compare las piezas con la lista del contenido del paquete y los aditamentos anteriores. No intente ensamblar el producto si falta alguna pieza o si éstas están dañadas. Póngase en contacto con el Departamento de Servicio al Cliente para obtener piezas de repuesto.

Tiempo estimado de ensamblaje: 20 minutos



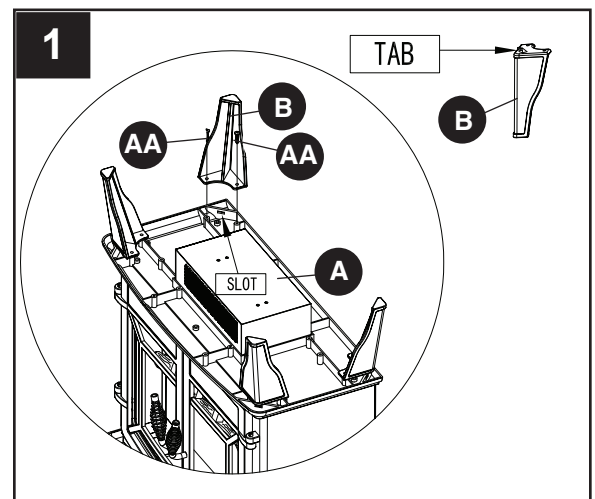
Herramientas necesarias para el ensamblaje (no se incluye): destornillador Phillips

INSTRUCCIONES DE ENSAMBLAJE

1. Coloque la estufa (A) boca abajo sobre una superficie acolchada con la parte inferior accesible. Coloque la pierna (B) a la estufa mediante la inserción de la lengüeta en la parte superior de la pierna (B) en la ranura correspondiente en la parte inferior de la estufa (A). Inserte dos tornillos (AA) en los agujeros pre-perforados y apriete bien. Repita con el resto de tres patas.

Aditamentos utilizados

AA Tornillo  x 8



INSTRUCCIONES DE OPERACIÓN

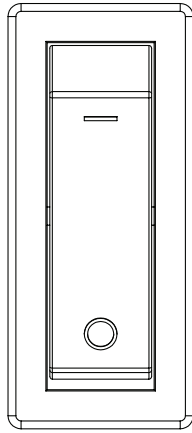
Lea todas las instrucciones antes de usar

Revise que la parrilla de salida de la estufa no este cubierta o haya algun obstaculo, y asegurese de que el boton de encendido este en el punto on.

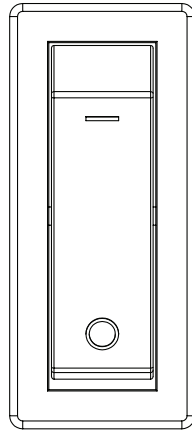
NOTA: Cuando haga funcionar la estufa por primera vez, puede haber un poco de olor. Esto es normal y no debe volver a ocurrir al menos que la estufa este por un extenso periodo de tiempo sin usar.

Panel de control

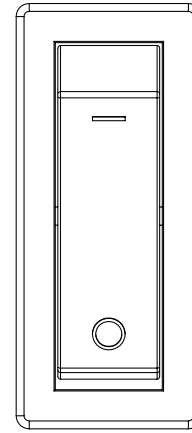
El panel de control está situado detrás de las puertas de la estufa.



1500W



750W



I/O

Encendido

Asegurese de que el boton de encendido (I/O) este en OFF. Conecte el cable a una toma de corriente de 120 voltios 15 amperes grounded (vea Information de Seguridad).

Efecto de la llama: Ponga el boton de encendido (I/O) en ON. La luz del indicador del boton de encendido se encendera. El efecto de llamas sera visible a traves de las puertas.

Temperatura (Baja): Con el boton de encendido (I/O) en ON, mueva el boton de BAJA (750 W) a ON. La luz indicadora de encendido se encendera. Comenzara a soplar aire con calor.

Temperature (Alta): Con el boton de encendido (I/O) en Bajo/LOW cambia ambos ON, mueva el boton de encendido de Alta/High (1500 W) a ON. La luz indicadora de la temperatura alta se encendera.

Control de la Temperatura

Esta estufa esta equipada con control del limite de la temperatura. Si alcanza un nivel peligroso, la estufa se apagara automaticamente. Para re encenderla: desenchufe el cable de electricidad de la pared. Espere 5 minutos. Con el boton de encendido en la posicion OFF, vuelva a conectar el cable a la pared.

CUIDADO Y MANTENIMIENTO

Limpieza

Siempre apague la estufa y desconecte el cable de electricidad de la pared antes de limpiarla. Use una aspiradora o plumero para sacarle el polvo de la toma de aire. Limpiela con un trapo humedo y sequela con un trapo seco. Nunca use limpiadores abrasivos, sprays or limpiadores que puedan rayar la superficie.

No arrastre nunca la unidad por el piso. La tensión adicional por arrastrar la unidad puede ocasionar que las patas se quiebren.

Información sobre el vidrio (algunos modelos)

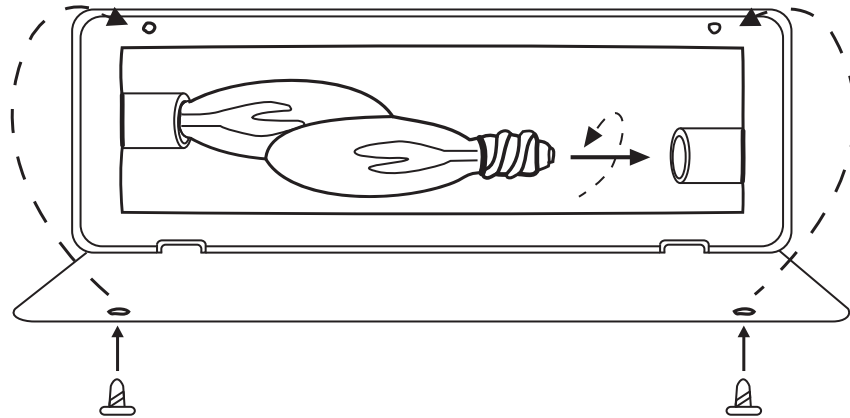
1. Bajo ninguna circunstancia este producto se debe operar con el vidrio roto.
2. No golpee el vidrio.
3. No use limpiadores abrasivos para limpiar el vidrio.
4. Este producto usa vidrio templado. El reemplazo del vidrio proporcionado por el fabricante sólo debe realizarlo un técnico calificado.

Inspeccion del foco y reemplazo

El efecto de la llama es creado por does 40v focos con un E-12 chico de base. Use solo este tipo de foco. Si el efecto de la llama no funciona, los pueden estar flojos o dañados durante el transporte.

⚠ CUIDADO: Los focos se calientan durante el uso. Espere por lo menos 10 minutos para que los focos se enfrien antes de tocarlos

Para inspeccionar or reemplazar los focos, primero desenchufe el cable electrico de la pared. Encuentre el panel de acceso detras de la estufa. Quite los tornillos y el panel. Revise los focos para asegurarse que estan bien ajustados y en buen estado. Reemplace los que esten dañados. Vuelva a colocar el panel de acceso. No opere la estufa sin el panel en su lugar. No quite la tapa de atras de la estufa. No hay partes que necesiten mantenimiento adentro.



CUIDADO: No exceda los 40 w por foco. Eso puede provocar incendio y daños fisicos.

Mantenimiento de los motores



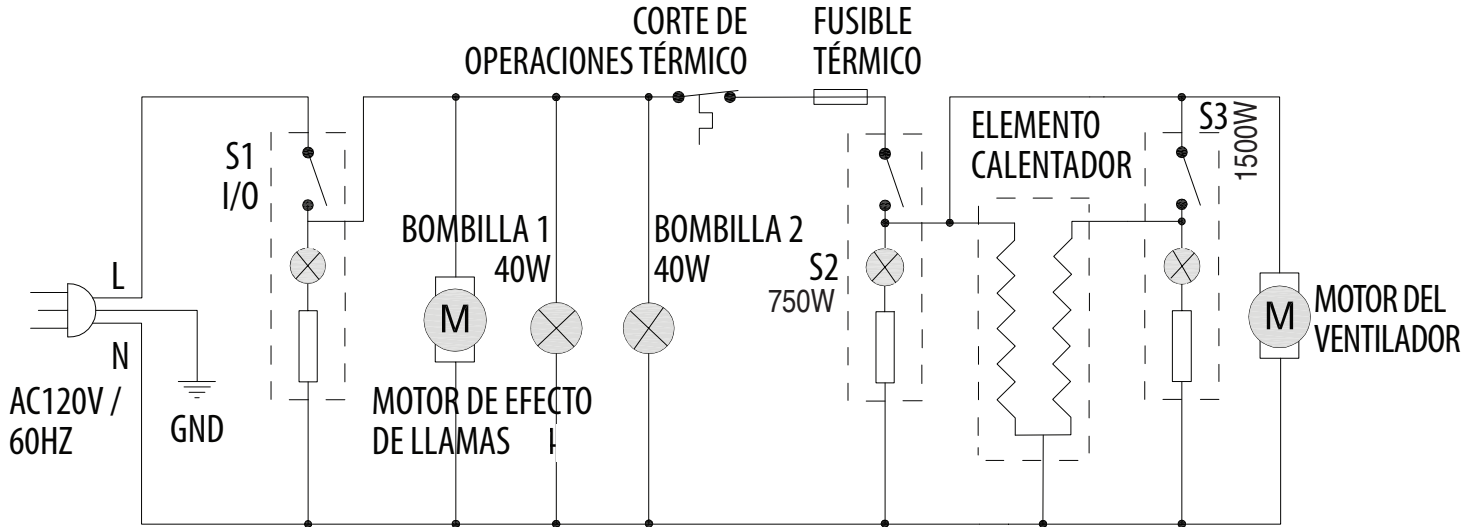
CUIDADO: Siempre desconecte el electrodoméstico del suministro eléctrico principal y permita que se enfríe antes de cualquier operación de mantenimiento.

Los motores usados en el calentador de ventilador y el soplador de llamas vienen lubricados previamente para prolongar la vida útil de los rodamientos y no necesitan otra lubricación. Sin embargo, se recomienda una limpieza o aspiración periódica del electrodoméstico alrededor de la entrada y salida de aire, así como del calentador de ventilador. Para un uso pesado o continuo, la limpieza periódica se debe realizar con mayor frecuencia. Si el calentador sopla alternadamente aire frío y cálido, compruebe que el ventilador se mueva libremente y que no haya desechos que obstruyan el flujo de aire. Si el ventilador no se mueve libremente, la unidad se debe apagar y el ventilador se debe reemplazar inmediatamente para evitar daños a la unidad.

DIAGRAMA DEL CABLEADO ELÉCTRICO

Toda reparación eléctrica o nuevo cableado de esta unidad sólo debe realizarlo un electricista certificado de acuerdo con los códigos nacionales y locales.

DIAGRAMA DE CIRCUITO



⚠ PELIGRO



Desconecte de la alimentación antes de realizar mantenimiento.



Todo nuevo cableado eléctrico del electrodoméstico debe realizarlo un electricista calificado. Este cableado se debe realizar de acuerdo con códigos locales o, en Canadá, de acuerdo con el Código de Electricidad de Canadá CSA C22.1 actual, y para las instalaciones en EE.UU., de acuerdo con el código nacional de electricidad, ANSI/NFPA No. 70.



Si se repara o reemplaza cualquier componente eléctrico o cableado, se deben seguir las rutas originales de los cables, los códigos de color y las ubicaciones de fijación.

SOLUCIÓN DE PROBLEMAS

Si tiene preguntas relacionadas con el producto, llame al Servicio al Cliente al 1-877-447-4768, entre 8 h 30 et 16 h 30, HNC, du lundi au vendredi.

Problema	Causa posible	Acción correctiva
La chimenea no funciona.	<ol style="list-style-type: none"> 1. La chimenea no está enchufada. 2. Un interruptor de circuito se desconectó o se fundió un fusible. 3. Interruptor de ENCENDIDO/ APAGADO defectuoso 4. Cableado suelto. 	<ol style="list-style-type: none"> 1. Asegúrese de que la chimenea esté enchufada a un tomacorriente estándar de 120 V. 2. Compruebe si hay otros electrodomésticos conectados al circuito; idealmente, la chimenea debe estar conectada a un circuito dedicado de 15 amperios. 3. Llame a Servicio al Cliente. 4. Llame a Servicio al Cliente.
La luz de encendido está encendida pero la llama posterior no brilla o no está visible.	<ol style="list-style-type: none"> 1. Funcionamiento incorrecto. 2. Desajuste foco de luz. 3. Focos de luz quemados. 	<ol style="list-style-type: none"> 1. Consulte las instrucciones de operación. 2. Ajustar foco de luz. 3. Reemplazar foco(s) de luz.
El calentador no funciona.	<ol style="list-style-type: none"> 1. Funcionamiento incorrecto. 2. Interruptor del calentador defectuoso. 3. Ensamble del calentador defectuoso. 4. Cableado suelto. 5. Rejillas de ventilación sucio u obstruido. 	<ol style="list-style-type: none"> 1. Consulte las instrucciones de operación. 2. Llame a Servicio al Cliente. 3. Llame a Servicio al Cliente. 4. Llame a Servicio al Cliente. 5. Desenchufe la unidad. Limpie el polvo y los desechos del área de las rejillas de ventilación. Espere diez minutos, vuelva a enchufar la unidad y encienda el calentador.
Ruido excesivo cuando el calentador está funcionando.	<ol style="list-style-type: none"> 1. Ventilador defectuoso. 2. Asamblaje de la estufa defectuoso. 	<ol style="list-style-type: none"> 1. Llame a Servicio al Cliente. 2. Llame a Servicio al Cliente.

GARANTÍA

El fabricante garantiza que su nueva chimenea eléctrica no presentará defectos de fabricación ni materiales durante un período de un año a partir de la fecha de compra, siempre y cuando se cumplan las siguientes condiciones y limitaciones.

Las variaciones en el color real de la madera y en los acabados que puedan ser producto de las características naturales de la madera, tales como patrones de vetas, rayas minerales y similares, no se consideran defectos. A medida que la madera continúa moviéndose y envejeciendo, usted puede observar estas leves diferencias en el color, incluso en distintas partes de una unidad. Nudos sanos y leves grietas superficiales son la verdadera personalidad de un mueble de madera de calidad.

1. Esta chimenea eléctrica se debe instalar y operar en todo momento de acuerdo con las instrucciones de instalación y operación proporcionadas con el producto. Cualquier alteración, abuso deliberado, accidente o uso inadecuado del producto anulará esta garantía.
2. Esta garantía no es transferible y sólo está disponible para el propietario original, siempre y cuando la compra se haya realizado a través de un proveedor autorizado de la Compañía.
3. Esta garantía se limita a la reparación o reemplazo de piezas que se consideren defectuosas en material o mano de obra, siempre y cuando dicha pieza haya estado sometida a condiciones normales de uso y servicio, después de que una inspección por parte de la Compañía confirme dicho defecto.
4. La Compañía podrá, bajo su criterio, eximirse de toda obligación respecto de esta garantía reembolsando el precio al por mayor de la pieza defectuosa.
5. Esta garantía no cubrirá ningún costo de instalación, mano de obra, construcción, transporte o de otro tipo que surja de la pieza defectuosa, su reparación, reemplazo u otra situación, y la Compañía no asumirá ninguna responsabilidad por las mismas. La Compañía tampoco será responsable por ningún daño accidental, indirecto o resultante, salvo que la ley estipule lo contrario.
6. Mediante el presente, se excluye expresamente cualquier otra garantía, expresa o implícita, respecto del producto, sus componentes y accesorios, o cualquier otra obligación o responsabilidad de parte de la Compañía.
7. La Compañía no asume, ni autoriza a ningún tercero a asumir en su nombre, ninguna otra responsabilidad respecto de la venta de este producto.
8. Las garantías descritas en este documento no se aplican a accesorios que no sean de el fabricante y que se usen junto con la instalación de este producto.
9. Esta garantía no cubre los focos de la luz incluidos con el hogar.

Esta garantía es nula si:

- a) La chimenea ha funcionado en atmósferas contaminadas con cloro, flúor u otras sustancias químicas dañinas.
- b) La chimenea está sometida a períodos prolongados de humedad o condensación.
- c) Se produce cualquier alteración, abuso deliberado, accidente o uso inadecuado del producto.

SI SE NECESITA SERVICIO DE GARANTÍA. . .

- 1) Póngase en contacto el fabricante con el Servicio al Cliente de al 1-877-447-4768, entre 8 h 30 et 16 h 30, HNC, du lundi au vendredi. Asegúrese de tener su garantía, su recibo de venta y el modelo o número de serie de su producto el fabricante.
- 2) NO INTENTE REALIZAR NINGÚN TRABAJO DE REPARACIÓN USTED MISMO.

GHP Group, Inc.
8280 Austin Avenue • Morton Grove, IL. • 60053-3207

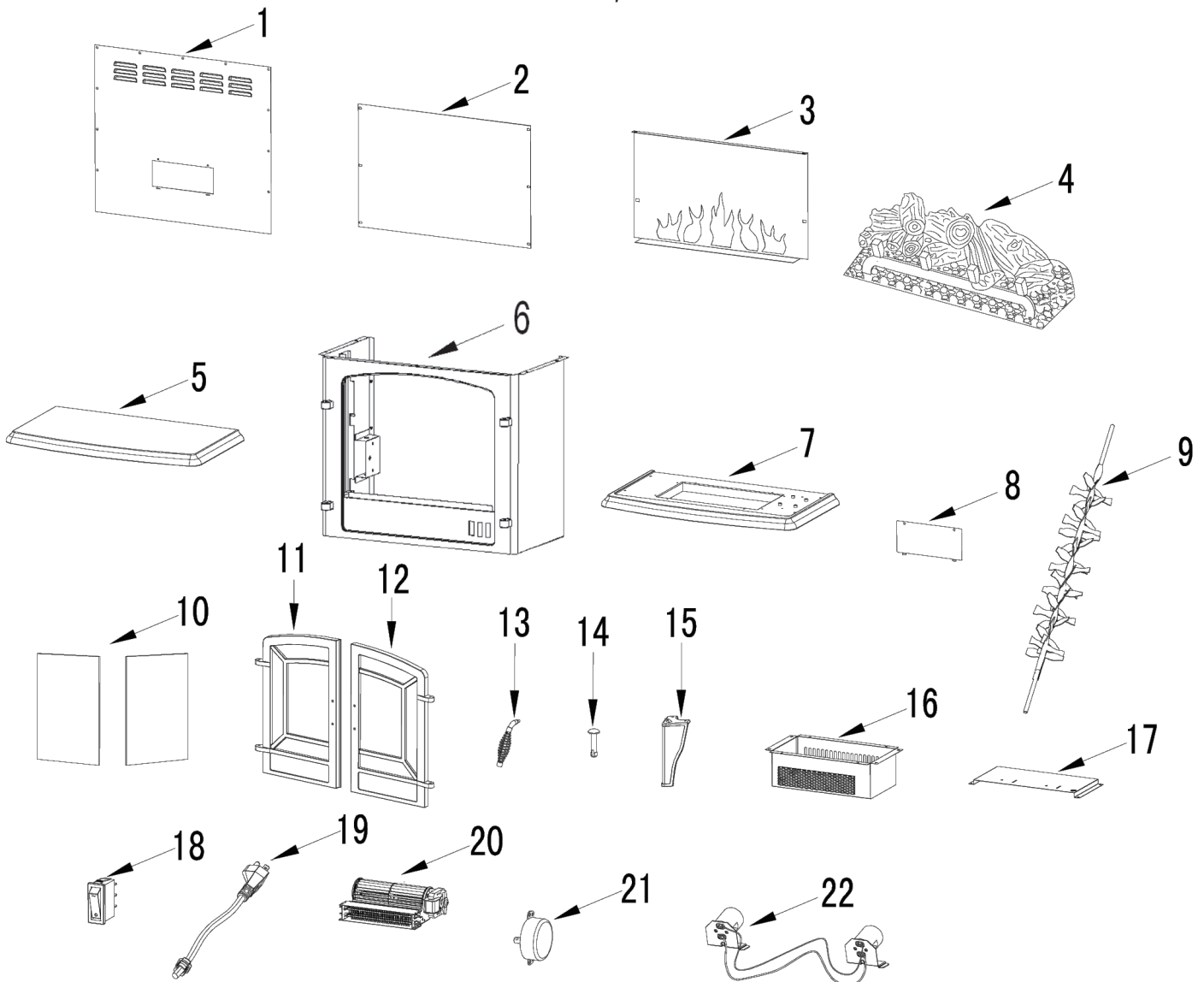
LISTA DE PIEZAS DE REPUESTO - MODELOS DE 20 PULG. - #ES-321, SES-21, Y SES-22

Para piezas de repuesto, llame al Servicio al Cliente al 1-877-447-4768, entre 8 h 30 et 16 h 30, HNC, du lundi au vendredi.

PIEZA	DESCRIPCIÓN	PIEZA NO.
1	Panel Trasero	EFES323001ST
2	Pantalla	EFES323002ST
3	Panel de la Llama	EFES323003ST
4	Juego de Leños	EFES323004ST
5	Panel Superior	EFES323005ST
6	Panel del Gabinete	EFES321003ST
7	Panel Inferior	EFES323007ST
8	Panel de Acceso	EFES323008ST
9	Reflector de la Llama	EFES323009ST
10	Vidrio	EFES322002ST
11	Puerta Izquierda	EFES321001ST

PIEZA	DESCRIPCIÓN	PIEZA NO.
12	Puerta Derecha	EFES321002ST
13	Manija	EFES322005ST
14	Pasador de la Bisagra	EFES323013ST
15	Pata (Diseño 1)	EFEST330015ST
16	Ventilador de la Caja de Calefacción	EFES323015ST
17	Barrera Liviana	EFES323016ST
18	Interruptor	EFES323017ST
19	Cable & Conector Eléctricos	EFES323018ST
20	Ventilador del Calentador	EFES322007ST
21	Motor	EFES323020ST
22	Soporte & Enchufe de la Lámpara	EFES323021ST

Algunas piezas y especificaciones pueden cambiar sin previo aviso.



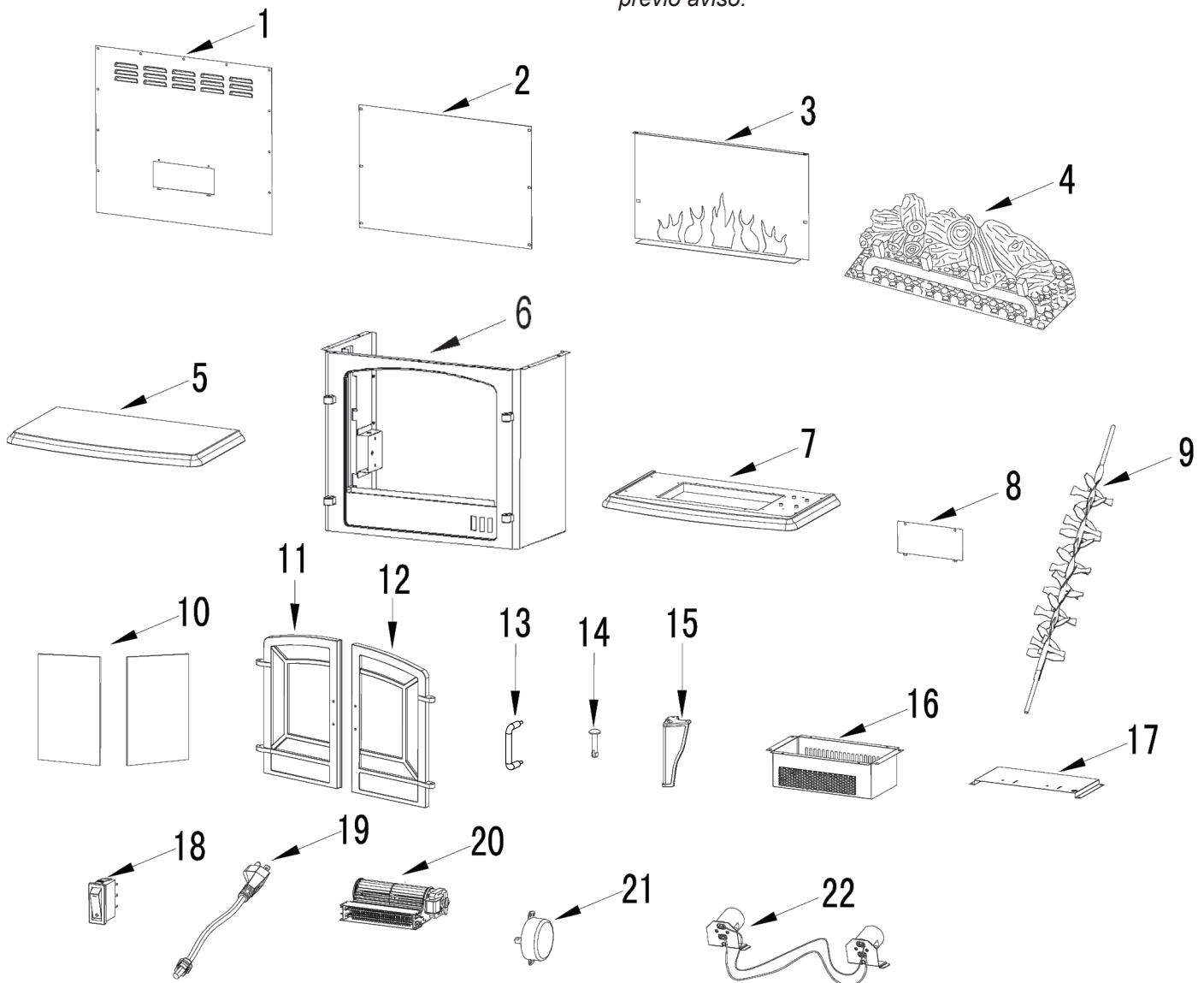
LISTA DE PIEZAS DE REPUESTO - MODELO DE 20 PULG. - #ES-322

Para piezas de repuesto, llame al Servicio al Cliente al 1-877-447-4768, entre 8 h 30 et 16 h 30, HNC, du lundi au vendredi.

PIEZA	DESCRIPCIÓN	PIEZA NO.
1	Panel Trasero	EFES323001ST
2	Pantalla	EFES323002ST
3	Panel de la Llama	EFES323003ST
4	Juego de Leños	EFES323004ST
5	Panel Superior	EFES323005ST
6	Panel del Gabinete	EFES321003ST
7	Panel Inferior	EFES323007ST
8	Panel de Acceso	EFES323008ST
9	Reflector de la Llama	EFES323009ST
10	Vidrio	EFES322002ST
11	Puerta Izquierda	EFES321001ST

PIEZA	DESCRIPCIÓN	PIEZA NO.
12	Puerta Derecha	EFES321002ST
13	Manija	EFSES51013ST
14	Pasador de la Bisagra	EFES323013ST
15	Pata (Diseño 1)	EFEST330015ST
16	Ventilador de la Caja de Calefacción	EFES323015ST
17	Barrera Liviana	EFES323016ST
18	Interruptor	EFES323017ST
19	Cable & Conector Eléctricos	EFES323018ST
20	Ventilador del Calentador	EFES322007ST
21	Motor	EFES323020ST
22	Soporte & Enchufe de la Lámpara	EFES323021ST

Algunas piezas y especificaciones pueden cambiar sin previo aviso.



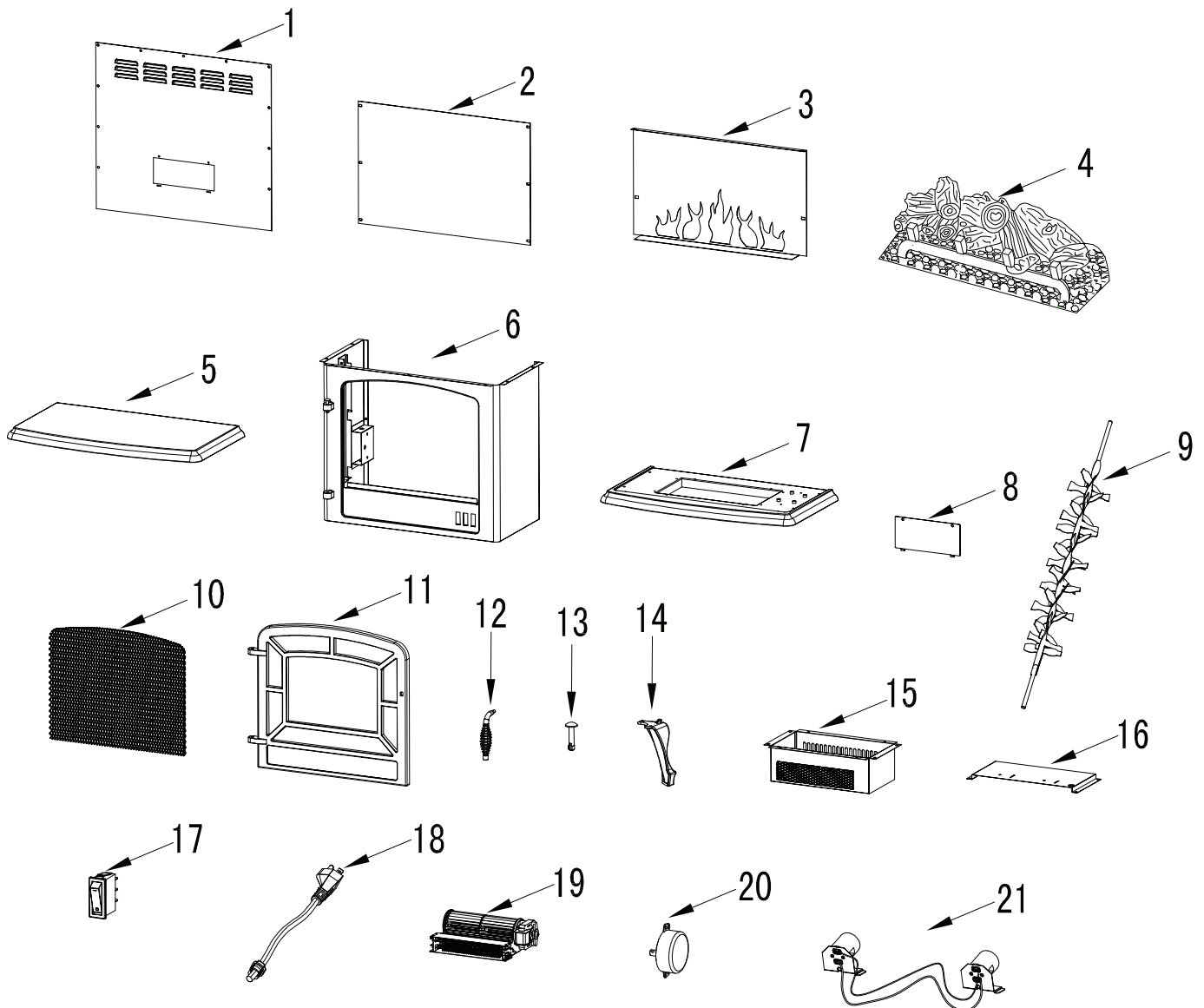
LISTA DE PIEZAS DE REPUESTO - MODELOS DE 20 PULG. - #ES-323, SES-31, AND SES-32

Para piezas de repuesto, llame al Servicio al Cliente al 1-877-447-4768, entre 8 h 30 et 16 h 30, HNC, du lundi au vendredi.

PIEZA	DESCRIPCIÓN	PIEZA NO.
1	Panel Trasero	EFES323001ST
2	Pantalla	EFES323002ST
3	Panel de la Llama	EFES323003ST
4	Juego de Leños	EFES323004ST
5	Panel Superior	EFES323005ST
6	Panel del Gabinete	EFES323006ST
7	Panel Inferior	EFES323007ST
8	Panel de Acceso	EFES323008ST
9	Reflector de la Llama	EFES323009ST
10	Malla de Puerta	EFES323010ST
11	Puerta	EFES323011ST

PIEZA	DESCRIPCIÓN	PIEZA NO.
12	Manija	EFES323012ST
13	Pasador de la Bisagra	EFES323013ST
14	Pata (Design 2)	EFES323014ST
15	Ventilador de la Caja de Calefacción	EFES323015ST
16	Barrera Liviana	EFES323016ST
17	Interruptor	EFES323017ST
18	Cable & Conector Eléctricos	EFES323018ST
19	Ventilador del Calentador	EFES323019ST
20	Motor	EFES323020ST
21	Soporte & Enchufe de la Lámpara	EFES323021ST

Algunas piezas y especificaciones pueden cambiar sin previo aviso.



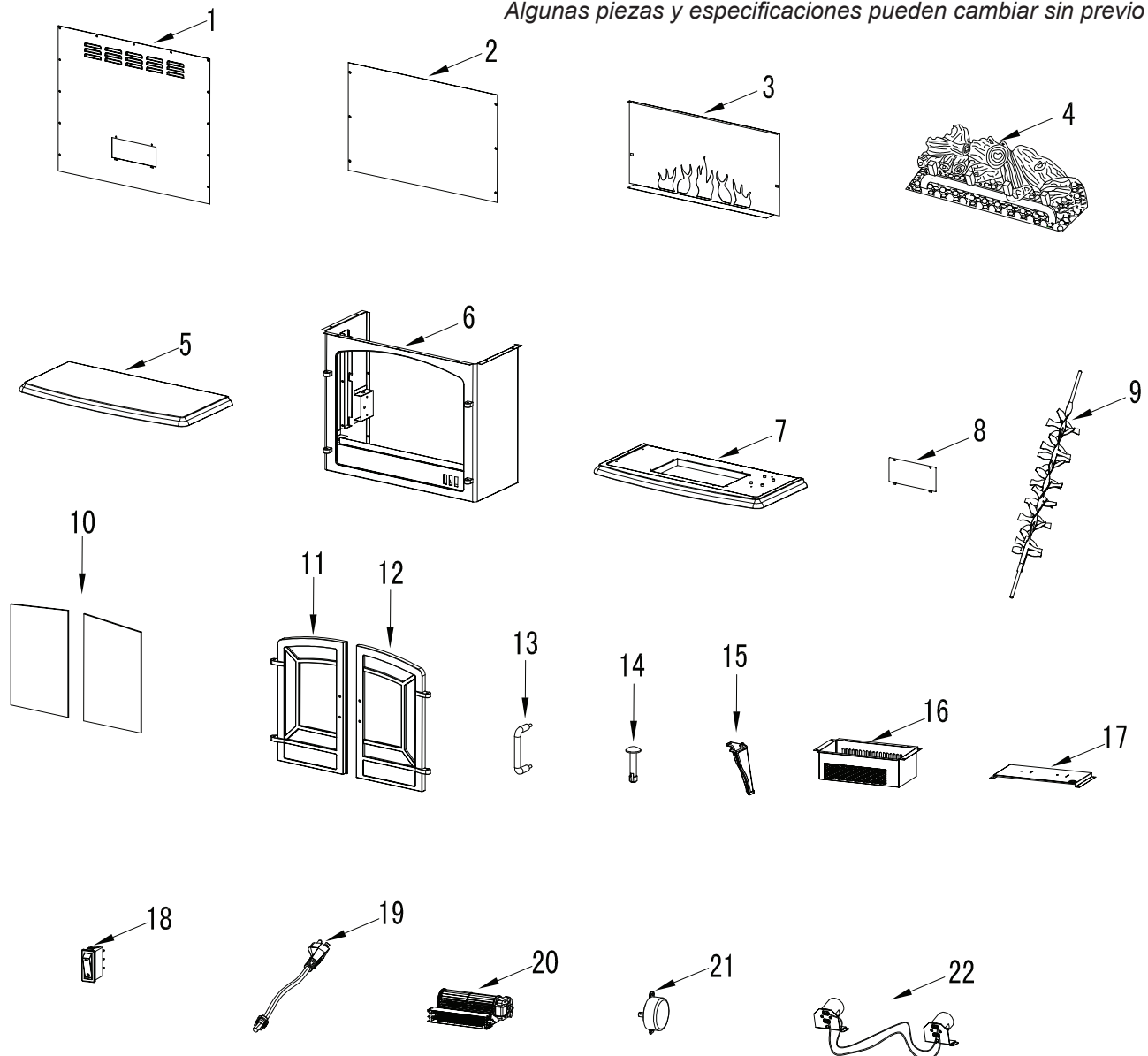
LISTA DE PIEZAS DE REPUESTO - MODELOS DE 24 PULG. - #ES-327, SES-51, Y SES-52

Para piezas de repuesto, llame al Servicio al Cliente al 1-877-447-4768, entre 8 h 30 et 16 h 30, HNC, du lundi au vendredi.

PIEZA	DESCRIPCIÓN	PIEZA NO.
1	Panel Trasero	EFSES51001ST
2	Pantalla	EFSES51002ST
3	Panel de la Llama	EFSES51003ST
4	Juego de Leños	EFSES51004ST
5	Panel Superior	EFSES51005ST
6	Panel del Gabinete	EFSES51006ST
7	Panel Inferior	EFSES51007ST
8	Panel de Acceso	EFES323008ST
9	Reflector de la Llama	EFSES51009ST
10	Vidrio	EFSES51010ST
11	Puerta Izquierda	EFSES51011ST

PIEZA	DESCRIPCIÓN	PIEZA NO.
12	Puerta Derecha	EFSES51012ST
13	Manija	EFSES51013ST
14	Pasador de la Bisagra	EFES323013ST
15	Pata (Diseño 1)	EFEST330015ST
16	Ventilador de la Caja de Calefacción	EFES323015ST
17	Barrera Liviana	EFES323016ST
18	Interruptor	EFES323017ST
19	Cable & Conector Eléctricos	EFES323018ST
20	Ventilador del Calentador	EFES323019ST
21	Motor	EFES323020ST
22	Soporte & Enchufe de la Lámpara	EFES323021ST

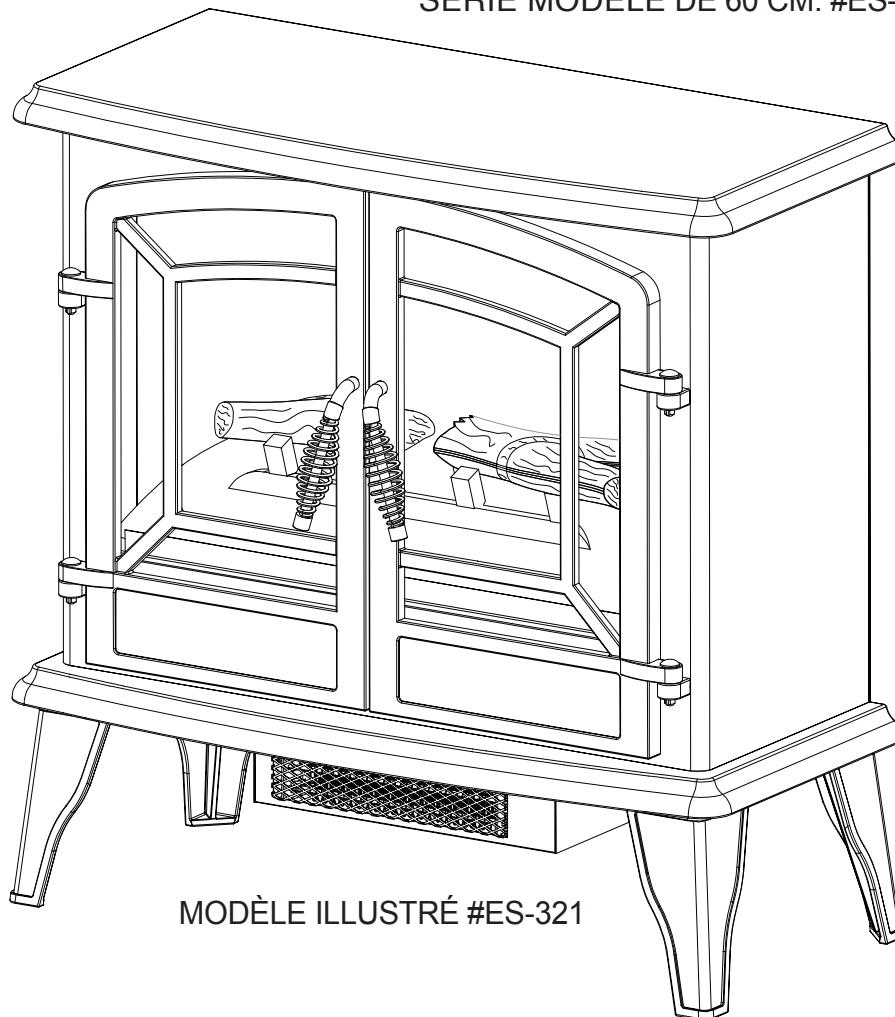
Algunas piezas y especificaciones pueden cambiar sin previo aviso.



FOYER ÉLECTRIQUE DE 50 CM. ET DE 60 CM.

SÉRIE MODÈLE DE 50 CM. #ES-321, ES-322, ES-323, SES-21, SES-22, SES-31, SES-32

SÉRIE MODÈLE DE 60 CM. #ES-327, SES-51, SES-52



MODÈLE ILLUSTRÉ #ES-321



CONSIGNES IMPORTANTES

VEUILLEZ LIRE CE MANUEL AVANT D'INSTALLER OU D'UTILISER LE FOYER.

AVERTISSEMENT!

RESPECTEZ SCRUPULEUSEMENT LES DIRECTIVES DU PRÉSENT MANUEL
POUR PRÉVENIR LES CHOCS ÉLECTRIQUES, LES INCENDIES, LES
DOMMAGES AINSI QUE LES BLESSURES GRAVES OU MORTELLES.

REMARQUE À L'INTENTION DE L'INSTALLATEUR :

Veillez laisser ce manuel au propriétaire.

REMARQUE À L'INTENTION DU CLIENT : Veillez conserver
ce manuel pour vous y référer ultérieurement.

JOIGNEZ VOTRE REÇU ICI

Numéro de série _____ Date d'achat _____



Des questions, des problèmes, des pièces manquantes? Avant de retourner
l'article au détaillant, communiquez avec notre service à la clientèle au 1-877-447-
4768, entre 8 h 30 et 16 h 30, HNC, du lundi au vendredi.

TABLE DE MATIÈRES

Consignes de sécurité	35
Contenu de l'emballage	37
Contenu de quincaillerie	37
Dimensions du foyer.....	38
Consignes de sécurité.....	39
Préparation	39
Instructions pour l'assemblage	39
Directives d'utilisation	40
Entretien	41
Schéma de câblage.....	42
Dépannage	43
Garantie.....	44
Listes de pièces de rechange.....	45



IMPORTANT : Lisez attentivement toutes les directives et les avertissements avant de procéder à l'installation. Le non-respect de ces directives peut provoquer un choc électrique, des blessures et un incendie, et annule la garantie.

Veillez lire les directives d'installation et d'utilisation avant d'utiliser ce foyer.

MISE EN GARDE

N'ENDOMMAGEZ PAS L'APPAREIL.

Il ne faut jamais démonter ou modifier l'appareil : il faut suivre les instructions dans le manuel.



Veillez vous assurer de lire et de comprendre l'intégralité de ce manuel avant d'assembler, d'utiliser ou d'installer ce produit.

1. Lisez toutes les directives avant d'utiliser ce foyer.
2. Ce foyer est chaud lorsqu'il est en fonction. Afin d'éviter les brûlures, ne touchez pas aux surfaces chaudes. Si le foyer est muni de poignées, servez-vous des poignées pour le déplacer. Assurez-vous que les matières combustibles, tels que les meubles, les oreillers, la literie, le papier, les vêtements et les rideaux, se trouvent au moins 914 mm (3 pi) de l'avant du foyer et les garder loin des côtés et l'arrière.
3. **▲ MISE EN GARDE : Faites preuve d'une extrême prudence lorsqu'un radiateur est utilisé par ou à proximité des enfants ou des personnes handicapées et lorsque vous laissez le radiateur en fonction sans surveillance.**
4. Dans la mesure du possible, débranchez toujours ce foyer lorsqu'il n'est pas utilisé.
5. N'utilisez pas un radiateur muni d'un cordon ou d'une fiche endommagé, qui a déjà subi une défaillance, qui est déjà tombé ou qui a été endommagé de quelque façon que ce soit.
6. Confiez toute réparation de ce foyer à un technicien qualifié.
7. Ne modifiez jamais ce foyer. Remettez en place les pièces qui doivent être retirées pour l'entretien avant d'utiliser le foyer de nouveau.
8. N'utilisez pas ce foyer à l'extérieur.
9. Le radiateur n'est pas conçu pour être utilisé dans une salle de bains, une salle de lavage ou tout autre endroit humide semblable. Ne placez jamais ce foyer en un endroit où il pourrait tomber dans une baignoire ou un autre contenant rempli d'eau.
10. N'utilisez pas cet appareil de chauffage dans un endroit élevé, par ex. sur une étagère, plateforme, etc.
11. Évitez d'acheminer le cordon sous un tapis. Ne couvrez pas le cordon avec une carpe, un tapis de passage ou un autre article semblable. Placez le cordon dans un endroit peu passant et où il ne pourra pas être accroché.
12. Pour débrancher ce foyer, tournez les commandes en position d'arrêt, puis retirez la fiche de la prise.
13. Branchez le cordon uniquement à une prise correctement mise à la terre.
14. Lors de l'installation, veillez à ce que le foyer soit mis à la terre conformément aux codes locaux, à la plus récente version du Code canadien de l'électricité, CSA C22.1 ou, dans le cas des installations aux É.-U., aux codes locaux et au code national de l'électricité, ANSI/NFPA N° 70.
15. N'insérez jamais un objet, quel qu'il soit, dans les ouvertures de ventilation ou de sortie d'air du foyer afin de prévenir les dommages ainsi que les risques de choc électrique et d'incendie.
16. Afin de prévenir les risques d'incendie, ne bloquez jamais les prises d'entrée ou de sortie d'air de quelque façon que ce soit. Ne placez pas le foyer sur une surface molle, comme un lit, car les ouvertures pourraient se bloquer.
17. Ce foyer renferme des pièces chaudes et qui produisent des arcs électriques ou des étincelles. N'utilisez pas le foyer là où de l'essence, de la peinture ou des liquides inflammables sont utilisés ou entreposés. Ce foyer et ses environs ne doivent pas servir de support de séchage pour les vêtements ni à accrocher des bas de Noël ou des décorations.
18. N'utilisez ce foyer que pour l'usage prévu dans ce manuel. Toute autre utilisation du foyer qui n'est pas prévue par le fabricant peut provoquer un incendie, un choc électrique ou des blessures.
19. Il faut toujours brancher l'appareil de chauffage dans une prise de courant. Branchez toujours l'appareil sur une prise murale. N'utilisez jamais de rallonge ni de prise mobile (barre d'alimentation).
20. N'utilisez pas cet appareil de chauffage s'il manque des pattes ou si les pattes sont brisées ou endommagées.
21. CONSERVEZ CES DIRECTIVES.

! DANGER



Branchement électrique

Un circuit de 15 A, 120 V, 60 Hz correctement mis à la terre est nécessaire. Il est recommandé de réserver un circuit au article car d'autres appareils alimentés par le même circuit pourraient causer le déclenchement du disjoncteur ou faire griller le fusible lorsque le radiateur est en fonction. Le article est muni d'un cordon trifilaire de 1,8 m (6 pi) qui se trouve du côté droit du foyer. Branchez toujours l'appareil sur une prise murale. N'utilisez jamais de rallonge ni de prise mobile (barre d'alimentation).



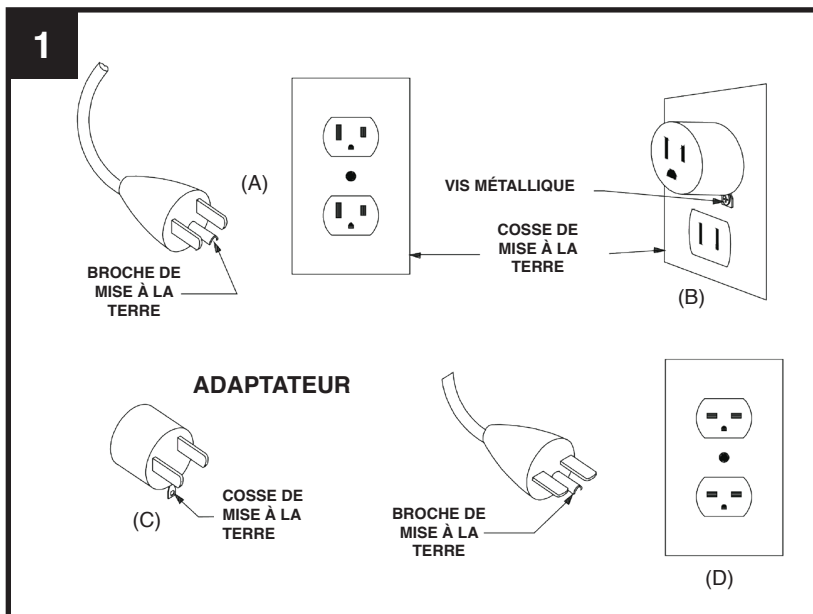
Le câblage de la prise électrique doit être conforme aux codes du bâtiment locaux et à tout autre règlement afin de réduire le risque d'incendie, de choc électrique ou de blessure.



N'utilisez pas ce foyer si une partie du article a été immergée. Appelez immédiatement un technicien qualifié qui inspectera le article et remplacera toute partie du circuit électrique qui a été immergée.

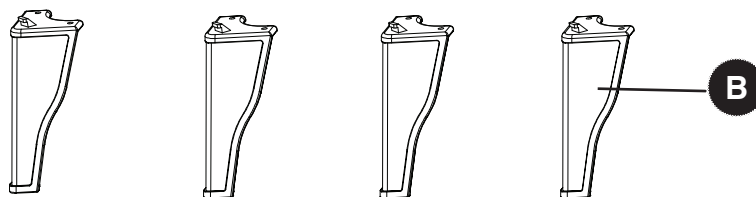
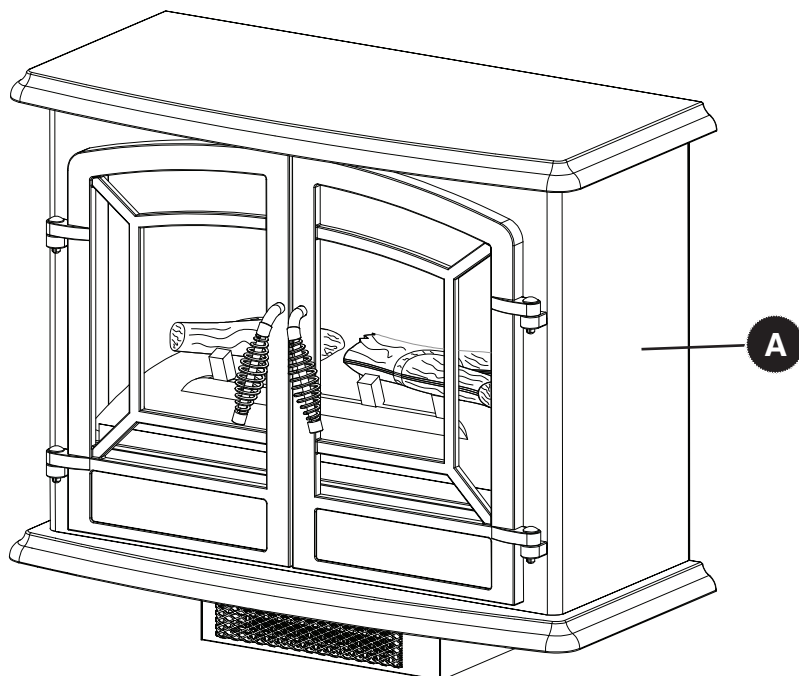
Directives de mise à la terre

Ce radiateur est conçu en fonction d'un circuit de 120 volts. Le cordon est doté d'une fiche (illustration A, figure 1). Un adaptateur (illustration C, figure 1) permet de brancher les fiches à trois broches avec mise à la terre aux prises à deux fentes. La cosse de mise à la terre verte de l'adaptateur doit être branchée à une mise à la terre permanente comme une boîte de sortie correctement mise à la terre. Ne vous servez pas de l'adaptateur si une prise à trois fentes mise à la terre est disponible.



Avertissement: N'utilisez PAS d'adaptateurs au Canada.

CONTENU DE L'EMBALLAGE



MODÈLE ILLUSTRÉ #ES-321

PIÈCE	DESCRIPTION	QUANTITÉ
A	Foyer électrique	1
B	Patte	4

QUINCAILLERIE

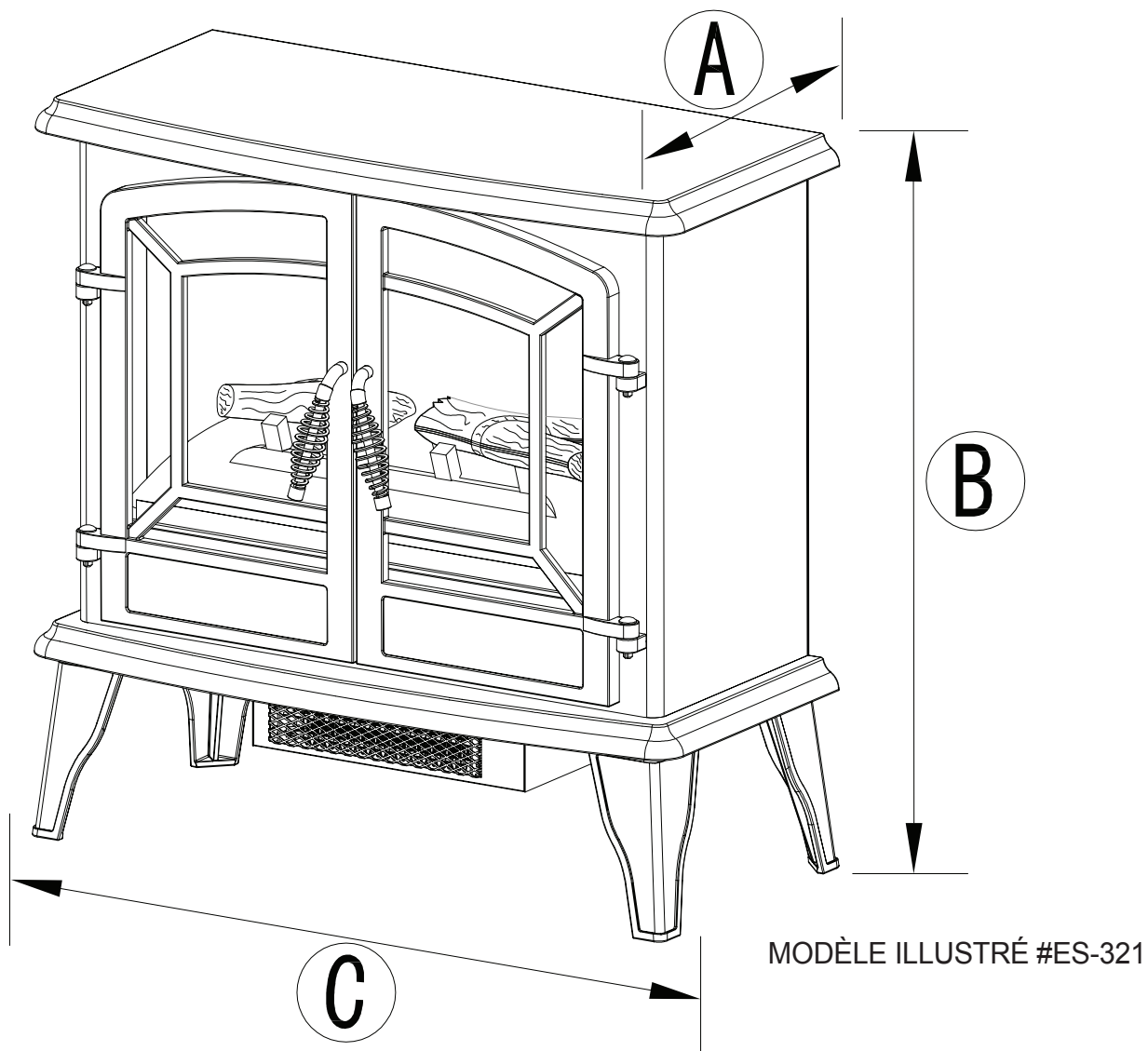
AA



Vis

Qté. 8

DIMENSIONS DU FOYER



Ref.	Tous les modèles de 50 cm
A	27.94 cm (11 in.)
B	58.42 cm (23 in.)
C	50.80 cm (20 in.)

Ref.	Tous les modèles de 60 cm
A	27.94 cm (11 in.)
B	63.60 cm (25 in.)
C	60.96 cm (24 in.)

FICHE TECHNIQUE	
TENSION	120V AC
FRÉQUENCE	60HZ
INTENSITÉ	12.5A
PUISSANCE NOMINALE DU RADIATEUR	1500W

! CONSIGNES DE SÉCURITÉ

Veillez vous assurer de lire et de comprendre l'intégralité de ce manuel avant d'assembler, d'utiliser ou d'installer ce produit. Si vous avez des questions concernant ce produit, veuillez téléphoner au service à la clientèle au 1-877-447-4768, entre 8 h 30 et 16 h 30, HNC, du lundi au vendredi.

! ATTENTION

- Poêle est lourd et doit être assemblé à proximité de son emplacement désiré.
- Il est recommandé que deux personnes se déplacent le poêle assemblé pour éviter toute blessure.

Habilitation aux combustibles

Côtés	4 in. (101.6 mm)
Plancher	0 in. (0 mm)
Dessus	36 in. (914 mm)
Avant	36 in. (914 mm)
Arrière	0 in. (0 mm)

! Attention : Ne pas installer l'appareil sur des étagères, des plateformes surélevées, lits, couvertures, oreillers, etc Gardez les matériaux combustibles tels que meubles, literie, papiers, vêtements et rideaux à au moins 3 pieds (914 mm) de la cuisinière.

PRÉPARATION

Avant de commencer l'assemblage du produit, assurez-vous d'avoir toutes les pièces. Comparez les pièces avec la liste du contenu de l'emballage et celle de la quincaillerie ci-dessus. S'il y a des pièces manquantes ou endommagées, ne tentez pas d'assembler le produit. Communiquez avec le service à la clientèle pour obtenir des pièces de rechange.

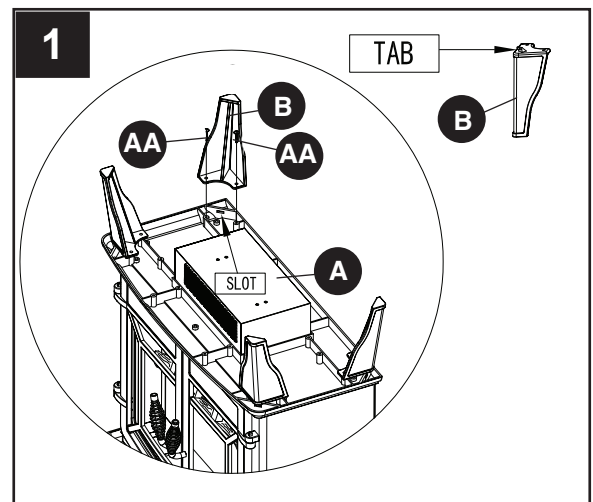
Temps d'assemblage approximatif : 20 minutes



Outils nécessaires pour l'assemblage (non inclus) : tournevis cruciforme

INSTRUCTIONS POUR L'ASSEMBLAGE

1. Lay foyer (A) à l'envers sur une surface rembourrée avec la face inférieure accessible. Fixer la jambe (B) à foyer en insérant la languette sur le haut de la jambe (B) dans la fente correspondante sur le fond de la foyer (A). Insérez les deux vis (AA) dans prépercés trous et serrez fermement. Répéter avec le reste trois jambes.



Quincaillerie utilisée

AA

Vis



x 8

DIRECTIVES D'UTILISATION

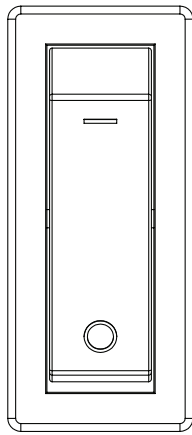
Lisez les instructions avant d'utiliser

Assurez-vous que rien ne recouvre ou ne bloque la grille de la bouche d'air de l'appareil de chauffage et que l'appareil est en marche.

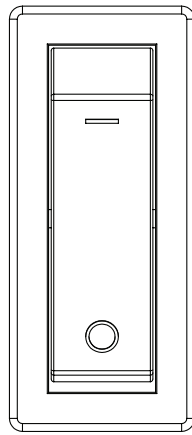
NOTE : Il peut avoir une légère odeur lors de la première utilisation de l'appareil de chauffage. Cela est normal et ne devrait pas survenir de nouveau à moins que l'appareil ne soit utilisé pendant une longue période de temps.

Panneau de commande

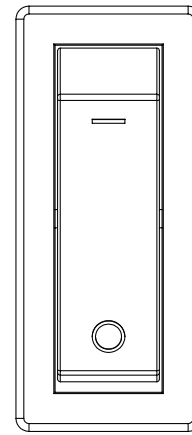
Le panneau de commande se trouve derrière les portes du foyer.



1500W



750W



I/O

Interrupteur marche-arrêt

Soyez certain que L'INTERRUPTEUR (I/O) est à ARRÊT. Branchez le cordon d'alimentation dans une prise mise à la terre de 120 Volts 15 AMP. (lisez les mesures de précaution).

Les flammes : Mettez L'INTERRUPTEUR (I/O) à MARCHÉ. Le voyant de mise en MARCHÉ s'allumera. Les flammes seront visibles à travers les portes.

Chaleur (basse) : Mettez l'interrupteur à BASSE (750W) lorsque L'INTERRUPTEUR (I/O) marche-arrêt est à marche. Le voyant BASSE s'allumera et de l'air chaud sera soufflé.

Chaleur (haute) : Mettez l'interrupteur à HAUTE (1500W) lorsque L'INTERRUPTEUR (I/O) marche-arrêt et l'interrupteur BASSE sont en marche. Le voyant HAUTE s'allumera et de l'air plus chaud sera soufflé.

Limiteur de température

L'appareil de chauffage est muni d'un limiteur de température. L'appareil s'éteindra automatiquement si la température est trop élevée. Redémarrage: Débranchez le cordon de la prise de courant. Attendez 5 minutes (l'interrupteur doit être à la position ARRÊT). Rebranchez le cordon dans la prise de courant.

ENTRETIEN

Nettoyage:

Il faut toujours débrancher l'appareil de chauffage et L'ÉTEINDRE avant le nettoyage. Utilisez un aspirateur ou un plumeau pour enlever la poussière de l'appareil et des événements d'aération. Utilisez un linge humide et un linge sec pour nettoyer le fini. N'utilisez jamais un produit nettoyant abrasif, un vaporisateur ou tout autre produit qui pourrait égratigner la surface.

Ne traînez jamais l'appareil sur un plancher puisque cela pourrait briser les pattes.

Renseignements sur la vitre (certains modèles) :

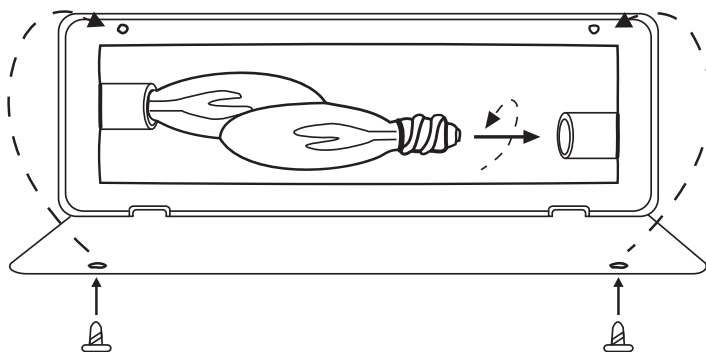
1. N'utilisez jamais ce foyer si la vitre est brisée.
2. Ne frappez pas la vitre et ne la tapez pas.
3. Ne nettoyez pas la vitre avec un produit abrasif.
4. Ce foyer est muni d'une vitre trempée. Confiez le remplacement de la vitre fournie par le fabricant à un technicien qualifié.

Vérification et remplacement d'ampoule :

Les deux ampoules de 40 Watts à petit culot (E-12) activent les flammes artificielles. Il faut seulement utiliser ce type d'ampoule. Il se peut que les flammes artificielles ne fonctionnent pas si les ampoules se sont desserrées ou endommagées lors du transport.

⚠ AVERTISSEMENT : Les ampoules sont très chaudes lors de l'utilisation. Il faut attendre au moins 10 minutes avant de les toucher.

Il faut débrancher le cordon d'alimentation de la prise de courant avant de vérifier ou de remplacer les ampoules. Le panneau d'accès se trouve derrière l'appareil. Enlevez les vis et le panneau. Assurez-vous que les ampoules fonctionnent et qu'elles sont bien installées. Remplacez les ampoules endommagées. Remettez le panneau. Il ne faut pas faire fonctionner cet appareil de chauffage si le panneau d'accès n'est pas installé. N'enlevez pas le panneau arrière de cet appareil de chauffage. Il n'y a pas de matériel utilisable à l'intérieur.



AVERTISSEMENT : N'utilisez pas d'ampoules avec une puissance supérieure à 40 watts. L'utilisation d'ampoules plus puissante peut causer un incendie, des blessures et des dommages matériels.

Entretien des moteurs :



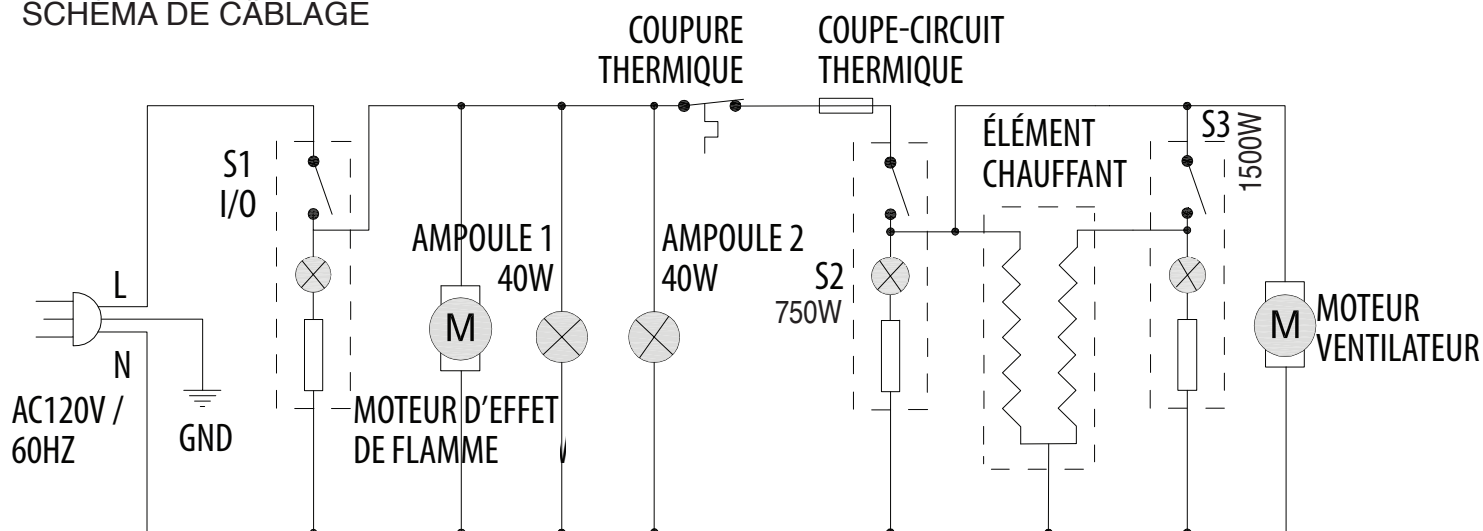
AVERTISSEMENT : Débranchez toujours le foyer de l'alimentation électrique principale et laissez le foyer refroidir avant tout entretien

Les moteurs utilisés sur le radiateur du ventilateur et la soufflante de flamme ont été prégraissés pour prolonger la durée des roulements et n'exigent aucun autre graissage. Il est toutefois recommandé de nettoyer le foyer et de passer l'aspirateur périodiquement autour de la prise d'air, de la sortie d'air et du radiateur du ventilateur. Nettoyez plus fréquemment le foyer en cas d'utilisation intensive ou continue. Si le radiateur propulse en alternance de l'air froid et de l'air chaud, vérifiez si le ventilateur tourne librement ou si des débris obstruent la circulation d'air. Si le ventilateur ne tourne pas librement, mettez le foyer hors fonction, puis remplacez immédiatement le ventilateur pour prévenir tout autre dommage au foyer.

SCHÉMA DE CÂBLAGE

Confiez les réparations électriques et tout nouveau câblage de ce foyer à un électricien agréé qui respectera les codes nationaux et locaux.

SCHÉMA DE CÂBLAGE



⚠ DANGER



Coupez l'alimentation avant l'entretien.



Confiez tout nouveau câblage de ce foyer à un technicien qualifié. Veillez à ce que le câblage soit effectué conformément aux codes locaux ou, au Canada, à la plus récente version du Code canadien de l'électricité, CSA C22.1 ou, dans le cas des installations aux É.-U., au code national de l'électricité, ANSI/NFPA N° 70.



En cas de réparation ou de remplacement d'un composant ou d'un câble électrique, respectez l'acheminement des câbles, les codes de couleur et les emplacements de fixation d'origine.

DÉPANNAGE

Si vous avez des questions concernant ce produit, veuillez téléphoner au service à la clientèle au 1-877-447-4768, entre 8 h 30 et 16 h 30, HNC, du lundi au vendredi.

PROBLÈME	CAUSE POSSIBLE	MESURE CORRECTIVE
Le foyer ne fonctionne pas.	<ol style="list-style-type: none"> 1. Le foyer n'est pas branché 2. Un fusible est déclenché ou un fusible est grillé. 3. Interrupteur general défectueux. 4. Câblage desserré. 	<ol style="list-style-type: none"> 1. Assurez-vous que le foyer est branché dans une prise standard de 120 V. 2. Vérifiez si d'autres appareils sont alimentés par le même circuit. Idéalement, le foyer devrait se trouver sur un circuit dédié de 15 A. 3. Communiquez avec le service à la clientèle. 4. Communiquez avec le service à la clientèle.
Le voyant d'alimentation est allumé, mais la flamme arrière n'est pas lumineuse ni visible.	<ol style="list-style-type: none"> 1. Fonctionnement incorrect. 2. Ampoule(s) lâches. 3. Dehors brûlées ampoule(s). 	<ol style="list-style-type: none"> 1. Consultez les directives d'utilisation. 2. Vissez une/des ampoule(s). 3. Remplacez une/des ampoule(s).
Le radiateur ne fonctionne pas.	<ol style="list-style-type: none"> 1. Fonctionnement incorrect. 2. Interrupteur de radiateur défectueux. 3. Ensemble de radiateur défectueux. 4. Câblage desserré 5. Événements sale ou bouché. 	<ol style="list-style-type: none"> 1. Consultez les directives d'utilisation. 2. Communiquez avec le service à la clientèle. 3. Communiquez avec le service à la clientèle. 4. Communiquez avec le service à la clientèle. 5. Débranchez l'appareil. Surface de ventilation claire de poussière et de débris. Attendez dix minutes, branchez l'appareil à nouveau et d'allumer le chauffage.
Le bruit est excessif lorsque le radiateur est en fonction.	<ol style="list-style-type: none"> 1. Ventilateur endommagé. 2. Assemblage du ventilateur endommagé. 	<ol style="list-style-type: none"> 1. Communiquez avec le service à la clientèle. 2. Communiquez avec le service à la clientèle.

GARANTIE

Le fabricant garantit que votre nouveau foyer électrique est exempt de défaut de fabrication ou de matériaux durant une année à partir de la date d'achat, en tenant compte des conditions et des restrictions suivantes.

Les variations de la couleur du bois et du fini du bois peuvent résulter de l'aspect naturel du bois (fil du bois, concrétion minérale, etc.). Il ne s'agit pas de défaut. Vous remarquerez peut-être au fil du temps que le bois change un peu de couleur. Les nœuds sains et les petites fissures témoignent de la qualité et de l'originalité d'un meuble en bois.

1. Ce foyer électrique doit être installé et utilisé en tout temps conformément aux directives d'installation et d'utilisation remises avec le produit. Une modification, un abus volontaire, un accident ou une mauvaise utilisation du produit invalide la présente garantie.
2. Cette garantie n'est pas transférable et n'est offerte qu'à l'acheteur d'origine, tant que l'achat a été conclu chez un fournisseur autorisé de l'entreprise.
3. Cette garantie se limite à la réparation ou au remplacement des pièces qui présentent des défauts de matériaux ou de fabrication, tant que ces pièces ont fait l'objet d'une utilisation et d'un entretien normaux, une fois un tel défaut confirmé par l'inspection effectuée par l'entreprise.
4. L'entreprise peut, à sa discrétion, s'acquitter de toute obligation en vertu de la présente garantie en remboursant le prix de gros des pièces défectueuses.
5. Tout frais d'installation, de main-d'oeuvre, de fabrication, de transport, ou d'autres frais connexes découlant des pièces défectueuses, de la réparation, du remplacement ou d'une intervention du même type, ne sont pas couverts par la présente garantie et l'entreprise n'assume aucune responsabilité à cet égard. De plus, l'entreprise n'est pas responsable des dommages accessoires ou consécutifs, sauf conformément aux dispositions de la loi.
6. Toutes les autres garanties, explicites ou implicites, sur le produit, ses composants et ses accessoires ainsi que toute autre obligation ou responsabilité de l'entreprise sont expressément exclues par les présentes.
7. L'entreprise n'assume ni n'autorise un tiers à assumer, en son nom, toute autre responsabilité quant à la vente de ce produit.
8. Les garanties énoncées dans le présent document ne couvrent pas les accessoires qui ne proviennent pas de le fabricant utilisés de concert avec l'installation de ce produit.
9. Les ampoules du foyer ne sont pas couvertes par cette garantie.

Cette garantie sera annulée si :

- a) Le foyer a été utilisé dans une atmosphère contaminée par du chlore, du fluor ou d'autres produits chimiques nocifs.
- b) Le foyer est exposé à l'humidité ou à la condensation pendant des périodes prolongées.
- c) Le produit a fait l'objet d'une modification, d'un abus volontaire ou d'une mauvaise utilisation, ou a subi un accident.

SERVICE AU TITRE DE LA GARANTIE . . .

- 1) Communiquez avec le service à la clientèle de le fabricant au 1-877-447-4768, entre 8 h 30 et 16 h 30, HNC, du lundi au vendredi. Assurez-vous d'avoir en mains votre garantie, votre reçu de vente ainsi que les numéros de modèle et de série de votreproduit de le fabricant.
- 2) **NE TENTEZ PAS DE RÉPARER LE PRODUIT VOUS-MÊME.**

GHP Group, Inc.
8280 Austin Avenue • Morton Grove, IL. • 60053-3207

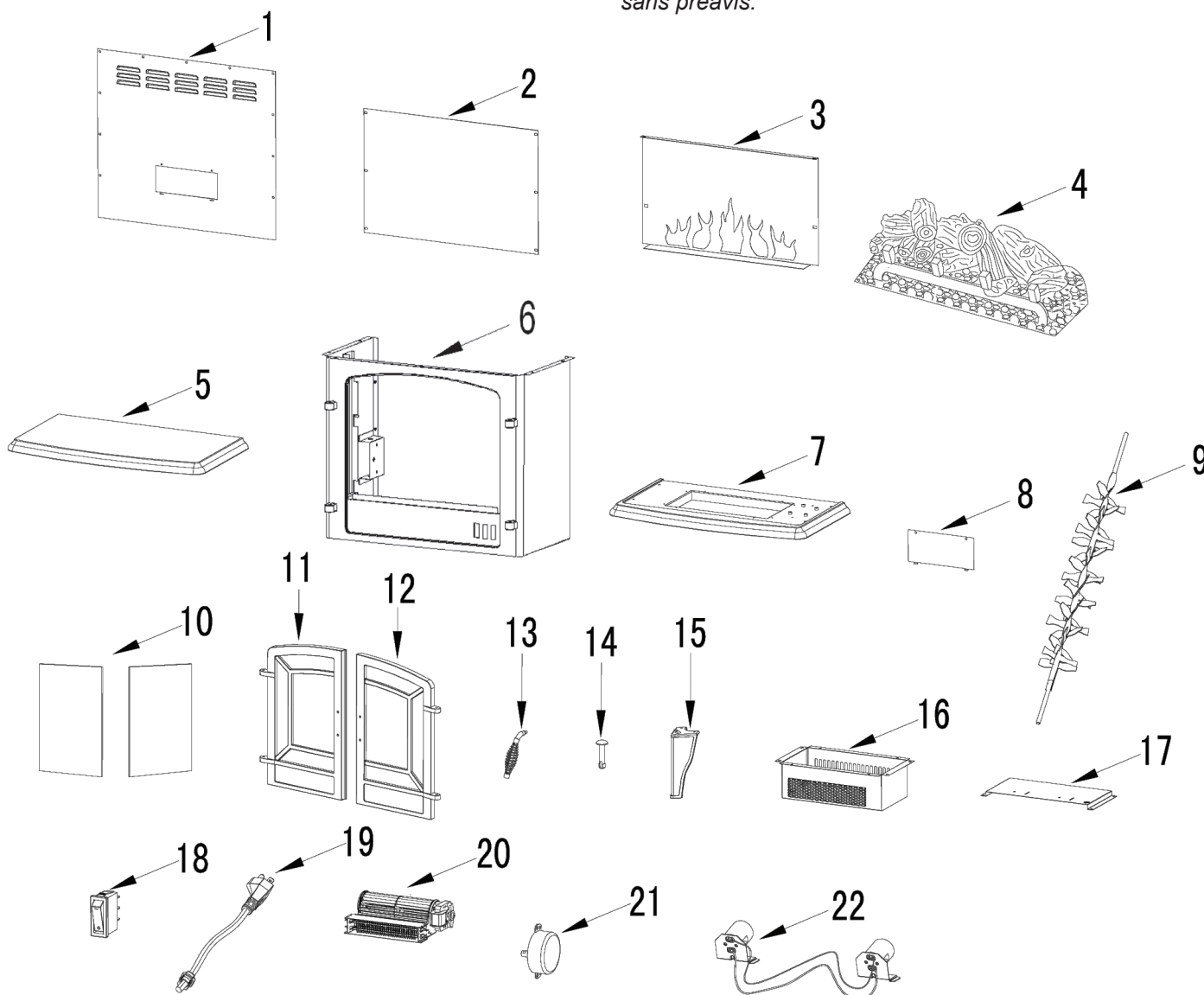
LISTE DES PIÈCES DE RECHANGE - MODÈLES DE 50 CM. - #ES-321, SES-21, ET SES-22

Pour obtenir des pièces de rechange, communiquez avec notre service à la clientèle au 1-877-447-4768, entre 8 h 30 et 16 h 30 (HNE), du lundi au vendredi.

PIÈCE	DESCRIPTION	N° DE PIÈCE
1	Panneau arrière	EFES323001ST
2	Grillage	EFES323002ST
3	Panneau flammes	EFES323003ST
4	Ensemble pour bûches	EFES323004ST
5	Panneau supérieur	EFES323005ST
6	Panneau du cabinet	EFES321003ST
7	Panneau inférieur	EFES323007ST
8	Panneau d'accès	EFES323008ST
9	Réflecteur de flammes	EFES323009ST
10	Vitre	EFES322002ST
11	Porte gauche	EFES321001ST

PIÈCE	DESCRIPTION	N° DE PIÈCE
12	Porte droite	EFES321002ST
13	Poignée	EFES322005ST
14	Tige à charnière	EFES323013ST
15	Patte (conception 1)	EFEST330015ST
16	Boîtier de la chauffelette/ventilateur	EFES323015ST
17	Protège lumière	EFES323016ST
18	Interrupteur	EFES323017ST
19	Cordon d'alimentation et connecteur	EFES323018ST
20	Chaufferette/ventilateur	EFES322007ST
21	Moteur	EFES323020ST
22	Douille et support	EFES323021ST

Les pièces et les caractéristiques peuvent être changées sans préavis.



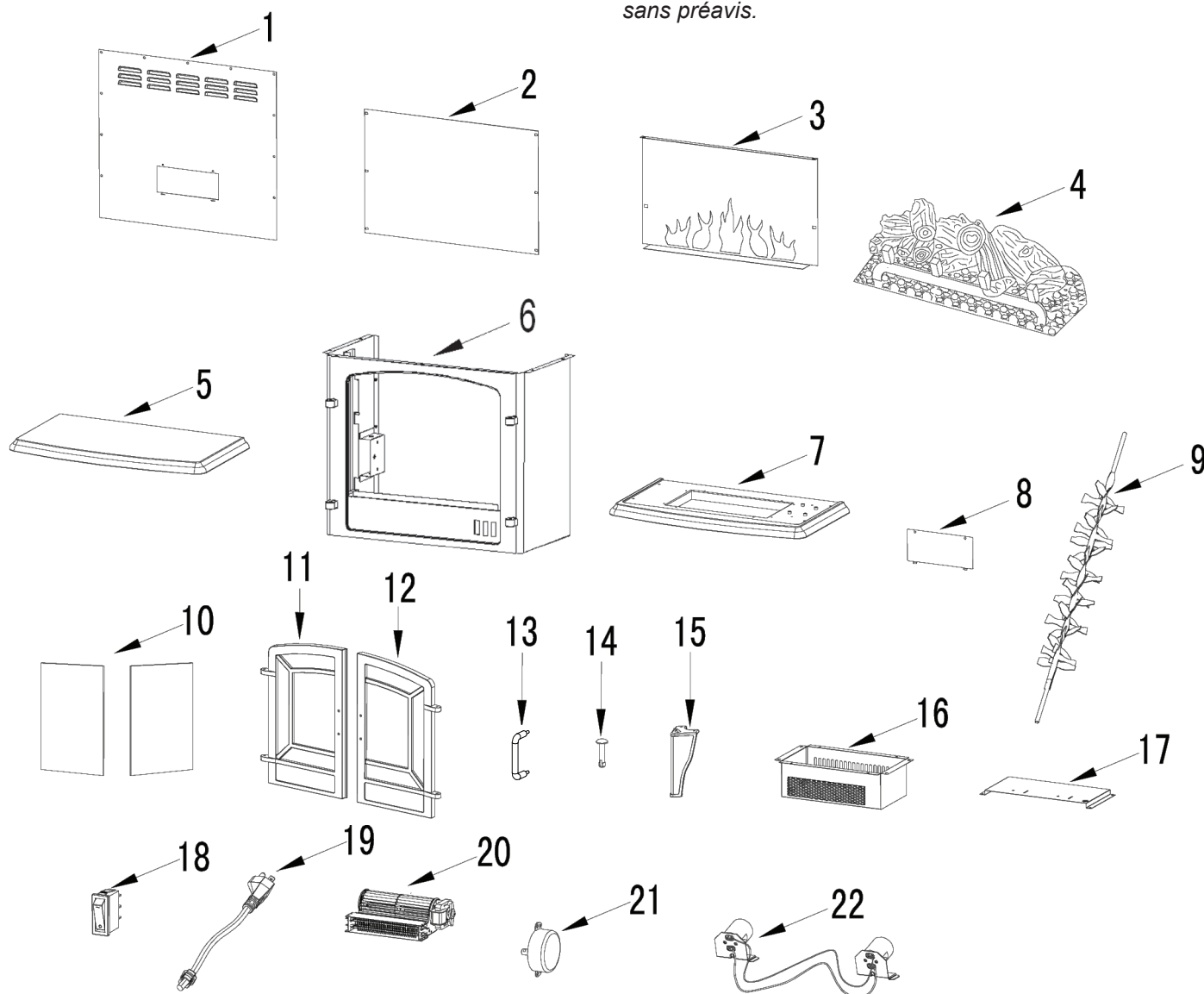
LISTE DES PIÈCES DE RECHANGE - MODÈLE DE 50 CM. - #ES-322

Pour obtenir des pièces de rechange, communiquez avec notre service à la clientèle au 1-877-447-4768, entre 8 h 30 et 16 h 30 (HNE), du lundi au vendredi.

PIÈCE	DESCRIPTION	N° DE PIÈCE
1	Panneau arrière	EFES323001ST
2	Grillage	EFES323002ST
3	Panneau flammes	EFES323003ST
4	Ensemble pour bûches	EFES323004ST
5	Panneau supérieur	EFES323005ST
6	Panneau du cabinet	EFES321003ST
7	Panneau inférieur	EFES323007ST
8	Panneau d'accès	EFES323008ST
9	Réflecteur de flammes	EFES323009ST
10	Vitre	EFES322002ST
11	Porte gauche	EFES321001ST

PIÈCE	DESCRIPTION	N° DE PIÈCE
12	Porte droite	EFES321002ST
13	Poignée	EFSES51013ST
14	Tige à charnière	EFES323013ST
15	Patte (conception 1)	EFEST330015ST
16	Boîtier de la chaufferette/ventilateur	EFES323015ST
17	Protège lumière	EFES323016ST
18	Interrupteur	EFES323017ST
19	Cordon d'alimentation et connecteur	EFES323018ST
20	Chaufferette/ventilateur	EFES322007ST
21	Moteur	EFES323020ST
22	Douille et support	EFES323021ST

Les pièces et les caractéristiques peuvent être changées sans préavis.



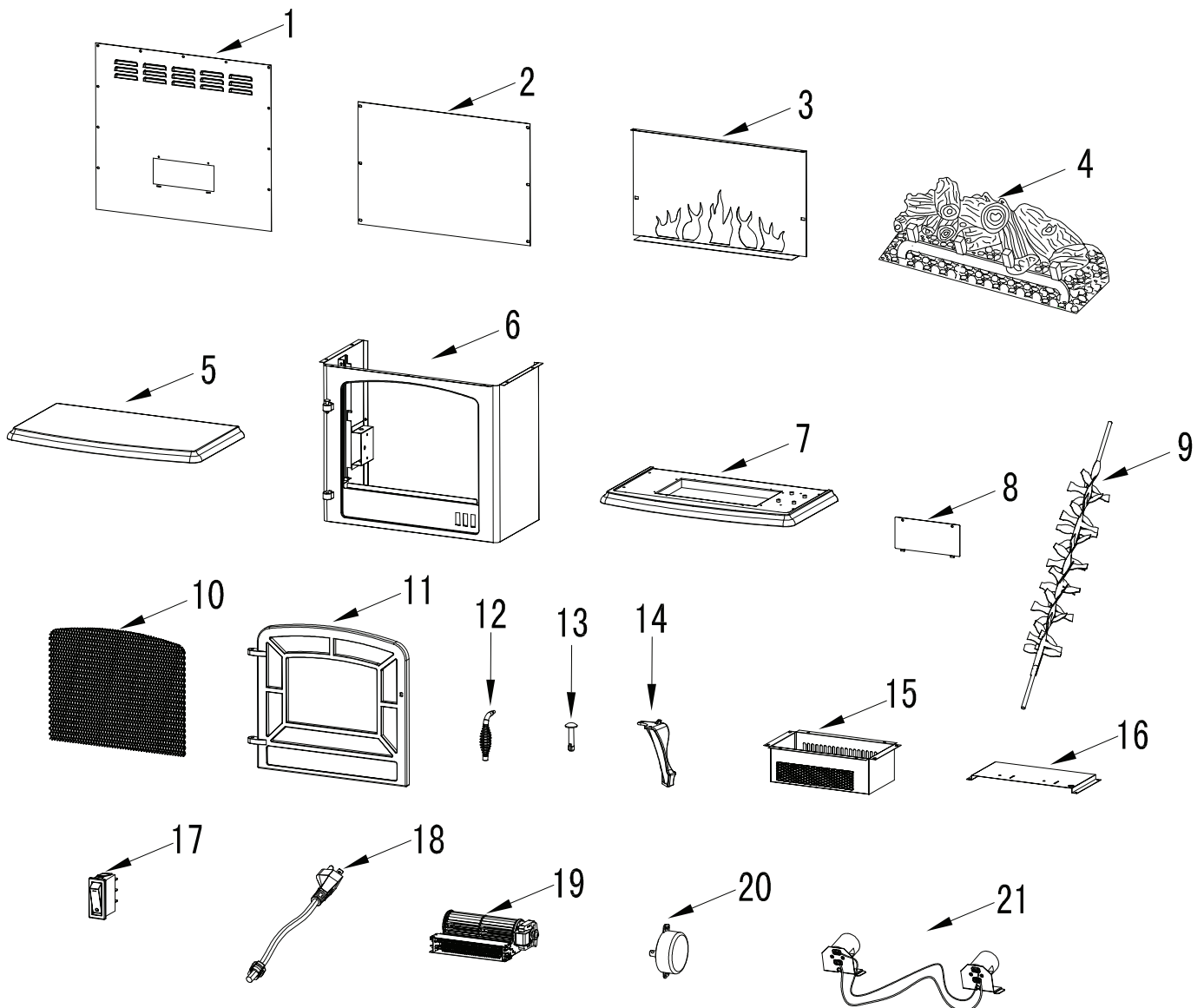
LISTE DES PIÈCES DE RECHANGE - MODÈLES DE 50 CM. - #ES-323, SES-31, AND SES-32

Pour obtenir des pièces de rechange, communiquez avec notre service à la clientèle au 1-877-447-4768, entre 8 h 30 et 16 h 30 (HNE), du lundi au vendredi.

PIÈCE	DESCRIPTION	N° DE PIÈCE
1	Panneau arrière	EFES323001ST
2	Grillage	EFES323002ST
3	Panneau flammes	EFES323003ST
4	Ensemble pour bûches	EFES323004ST
5	Panneau supérieur	EFES323005ST
6	Panneau du cabinet	EFES323006ST
7	Panneau inférieur	EFES323007ST
8	Panneau d'accès	EFES323008ST
9	Réflecteur de flammes	EFES323009ST
10	Maille porte	EFES323010ST
11	Porte	EFES323011ST

PIÈCE	DESCRIPTION	N° DE PIÈCE
12	Poignée	EFES323012ST
13	Tige à charnière	EFES323013ST
14	Patte (conception 2)	EFES323014ST
15	Boîtier de la chaufferette/ventilateur	EFES323015ST
16	Protège lumière	EFES323016ST
17	Interrupteur	EFES323017ST
18	Cordon d'alimentation et connecteur	EFES323018ST
19	Chaufferette/ventilateur	EFES323019ST
20	Moteur	EFES323020ST
21	Douille et support	EFES323021ST

Les pièces et les caractéristiques peuvent être changées sans préavis.



LISTE DES PIÈCES DE RECHANGE - MODÈLES DE 60 CM - #ES-327, SES-51, ET SES-52.

Pour obtenir des pièces de rechange, communiquez avec notre service à la clientèle au 1-877-447-4768, entre 8 h 30 et 16 h 30 (HNE), du lundi au vendredi.

PIÈCE	DESCRIPTION	N° DE PIÈCE
1	Panneau arrière	EFSES51001ST
2	Grillage	EFSES51002ST
3	Panneau flammes	EFSES51003ST
4	Ensemble pour bûches	EFSES51004ST
5	Panneau supérieur	EFSES51005ST
6	Panneau du cabinet	EFSES51006ST
7	Panneau inférieur	EFSES51007ST
8	Panneau d'accès	EFES323008ST
9	Réflecteur de flammes	EFSES51009ST
10	Vitre	EFSES51010ST
11	Porte gauche	EFSES51011ST

PIÈCE	DESCRIPTION	N° DE PIÈCE
12	Porte droite	EFSES51012ST
13	Poignée	EFSES51013ST
14	Tige à charnière	EFES323013ST
15	Patte (conception 1)	EFEST330015ST
16	Boîtier de la chauffelette/ventilateur	EFES323015ST
17	Protège lumière	EFES323016ST
18	Interrupteur	EFES323017ST
19	Cordon d'alimentation et connecteur	EFES323018ST
20	Chaufferette/ventilateur	EFES323019ST
21	Moteur	EFES323020ST
22	Douille et support	EFES323021ST

Les pièces et les caractéristiques peuvent être changées sans préavis.

