

This Owner's Manual is provided and hosted by [Appliance Factory Parts](#).



Pleasant Hearth VFL-RO30DR-1 Owner's Manual

[Shop genuine replacement parts for Pleasant Hearth
VFL-RO30DR-1](#)



[Find Your Pleasant Hearth Other Parts - Select From 25 Models](#)

----- Manual continues below -----

MODEL # VFL-VO24DR
VFL-RO24DR
VFL-VO30DR
VFL-RO30DR

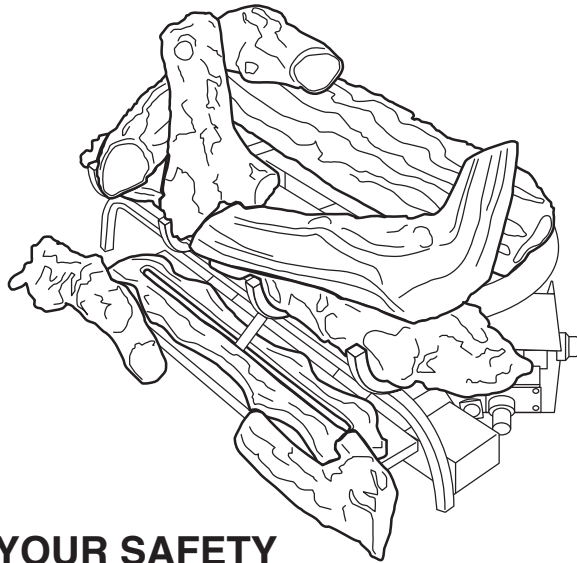


Dual Fuel



0418GL011S

ANSI Z21.11.2-2013
ANSI Z21.60-2012



⚠ WARNING: This appliance is equipped for (Natural and Propane) gas. Field conversion is not permitted other than between natural or propane gases.

⚠ CAUTION - FOR YOUR SAFETY

⚠ WARNING: IF THE INFORMATION IN THIS MANUAL IS NOT FOLLOWED EXACTLY, A FIRE OR EXPLOSION MAY RESULT CAUSING PROPERTY DAMAGE, PERSONAL INJURY OR LOSS OF LIFE.

- Do not store or use gasoline or other flammable vapors and liquids in vicinity of this or any other appliance.

WHAT TO DO IF YOU SMELL GAS

- Do not try to light any appliance.
- Do not touch any electrical switch; do not use any phone in your building.
- Immediately call your gas supplier from a neighbor's phone. Follow the gas supplier's instructions.
- If you cannot reach your gas supplier, call the fire department.

- Installation and service must be performed by a qualified installer, service agency or the gas supplier.

This is an unvented gas-fired heater. It uses air (oxygen) from the room in which it is installed. Provisions for adequate combustion and ventilation air must be provided. Refer to Air For Combustion and Ventilation section on page 8 of this manual.

**INSTALLER: Leave this manual with the appliance.
CONSUMER: Retain this manual for future reference.**

This appliance may be installed in an aftermarket, permanently located manufactured (mobile) home, where not prohibited by local codes. This appliance is only for use with propane or natural gas. This appliance is equipped with a simple means to switch between propane and natural gas. Field conversion by any other means including the use of a kit is not permitted.



Questions, problems, missing parts? Before returning to your retailer, call our customer service department at 1-877-447-4768, 8:30 a.m. – 4:30 p.m., CST, Monday – Friday or email us at customerservice@ghpgroupinc.com.

80-10-420 - 2016-05-03

TABLE OF CONTENTS

Specifications	2
Important Safety Information	3
Product Identification	5
Product Features	6
Preparing for Installation.....	7
Installation	10
Unpacking.....	15
Log Assembly	21
Operation.....	23
Remote Control Operation.....	25
Care and Maintenance	32
Troubleshooting	34
Replacement Parts	37
Accessories	37
Warranty	38

⚠ WARNING: Read the Installation & Operating Instructions before using this appliance.

IMPORTANT: Read all instructions and warnings carefully before starting installation. Failure to follow these instructions may result in possible injury to persons or a fire hazard and will void the warranty.

ITEM	VFL-VO24DR		VFL-VO30DR	
	VFL-RO24DR		VFL-RO30DR	
Input Rating	33,000 BTU/Hr		33,000 BTU/Hr	
Gas Type	Natural	LP/Propane	Natural	LP/Propane
Ignition	Electronic Piezo	Electronic Piezo	Electronic Piezo	Electronic Piezo
Manifold Pressure	4.5 in. W.C.	10 in. W.C.	4.5 in. W.C.	10 in. W.C.
Inlet Gas Pressure *For purposes of input adjustment				
Maximum	7 in. W.C.	14 in. W.C.	7 in. W.C.	14 in. W.C.
Minimum*	5.5 in. W.C.	11 in. W.C.	5.5 in. W.C.	11 in. W.C.

WRONG FUEL SHUT DOWN SYSTEM

This heater is equipped with a pressure activated dual circuit that will not allow the main burner to ignite if the incorrect fuel is installed. Inlet gas pressures, listed on page 2 of this Owner's Manual, must be correct for this system to work reliably. Excessive NG inlet gas pressure will activate the "wrong fuel shut down system" and the heater will not light.

SERVICE HINTS

When Gas Pressure Is Too Low


- pilot will not stay lit
- burners will have delayed ignition
- heater will not produce specified heat
- for propane/LP units, propane/LP gas supply may be low


You may feel your gas pressure is too low. If so, contact your local natural or propane/LP gas supplier.

IMPORTANT SAFETY INFORMATION

IMPORTANT: Read this owner's manual carefully and completely before trying to assemble, operate, or service this heater. Improper use of this heater can cause serious injury or death from burns, fire, explosion, electrical shock, and carbon monoxide poisoning.

Only a qualified installer, service agent, or local gas supplier may install and service this product.

 **WARNING:** Do not store or use gasoline or other flammable vapors or liquids in the vicinity of this or any other appliance.

 **WARNING:** This appliance can be used with propane or natural gas. It is shipped from the factory adjusted for use with propane.

CARBON MONOXIDE POISONING: Early signs of carbon monoxide poisoning resemble the flu with headaches, dizziness, or nausea. If you have these signs, the heater may not be working properly. Get fresh air immediately! Have heater serviced. Some people are more affected by carbon monoxide than others. These include pregnant women, people with heart or lung disease, people who are anemic, those under the influence of alcohol, and those living in high altitudes.

NATURAL AND PROPANE/LP GAS: Natural and Propane/LP gases are odorless. An odor-making agent is added to the gas. The odor helps you detect a gas leak. However, the odor added to the gas can fade. Gas may be present even though no odor exists. Make certain you read and understand all warnings. Keep this manual for reference. It is your guide to operating this heater safely.

WARNING:

- **Due to high temperatures, locate this appliance out of traffic and away from furniture and draperies.**
- **Heater becomes very hot when operating. Keep children and adults away from hot surfaces to avoid burns or clothing ignition. Heater will remain hot for a time after shutoff. Allow surfaces to cool before touching.**
- **Carefully supervise young children when they are in the room with the heater.**
- **Do not place clothing or other flammable material on or near the appliance. Never place any objects in the heater.**
- **Installation and repair should be done by a qualified service person. The appliance should be inspected before use and at least annually by a professional service person. More frequent cleaning may be required due to excessive lint from carpeting, bedding material, etc. It is imperative that control compartments, burners and circulating air passageways of the appliance be kept clean.**
- **Any change to this heater or its controls can be dangerous.**
- **Do not use any accessories not approved for use with this heater.**
- **Keep the appliance clear and free from combustible materials, gasoline, and other flammable vapors and liquids.**
- **This appliance is intended for supplemental heating.**

CALIFORNIA PROPOSITION 65

Fuels used in gas or oil fired appliances and the products of combustion of such fuels contain chemicals known to the state of California to cause cancer, birth defects or other reproductive harm. This product contains chemicals, including lead and lead compounds, known to the state of California to cause cancer, birth defects or other reproductive harm. ***Wash hands after handling.***



SAFETY INFORMATION

1. This appliance is only for use with the type of gas indicated on the rating plate. This appliance is not convertible for use with other gases.
2. Do not place propane/LP supply tank(s) inside any structure. Locate propane/LP supply tank(s) outdoors.
3. If you smell gas
 - shut off gas supply
 - do not try to light any appliance
 - do not touch any electrical switch; do not use any phone in your building
 - immediately call your gas supplier from a neighbor's phone. Follow the gas supplier's instructions
 - if you cannot reach your gas supplier, call the fire department
4. This heater shall not be installed in a bedroom or bathroom.
5. Do not use this heater as a wood-burning heater. Use only the logs provided with the heater.
6. Do not add extra logs or ornaments such as pine cones, vermiculite or rock wool. Using these added items can cause sooting. Do not add lava rock inside the heater; only around the outside of the heater.
7. This heater is designed to be smokeless. If logs ever appear to smoke, turn off heater and call a qualified service person. Note: During initial operation, slight smoking could occur due to log curing and heater burning manufacturing residues.
8. To prevent the creation of soot, follow the instructions in Cleaning and Maintenance, page 32-33.
9. Before using furniture polish, wax, carpet cleaner or similar products, turn heater off. If heated, the vapors from these products may create a white powder residue within burner box or on adjacent walls or furniture.
10. This heater needs fresh air ventilation to run properly. This heater has an Oxygen Depletion Sensing (ODS) safety shutoff system. The ODS shuts down the heater if not enough fresh air is available. See Air for Combustion and Ventilation, page 9. If heater keeps shutting off, see Troubleshooting, page 34.
11. Do not run heater
 - where flammable liquids or vapors are used or stored.
 - under dusty conditions.
12. Do not use this heater to cook food or burn paper or other objects.
13. Never place any objects in the heater or on logs.
14. Do not use heater if any part has been under water. Immediately call a qualified service technician to inspect the room heater and to replace any part of the control system and any gas control which has been under water.
15. Only a qualified service person should service and repair heater.
16. Operating heater above elevations of 4,500 feet could cause pilot outage.
17. Do not operate heater if log is broken. Do not operate heater if log is chipped (dime-sized or larger).
18. To prevent performance problems, do not use propane/LP fuel tank of less than 100 lb. capacity.
19. Provide adequate clearances around air openings.
20. A fireplace screen must be in place when the heater is operating.

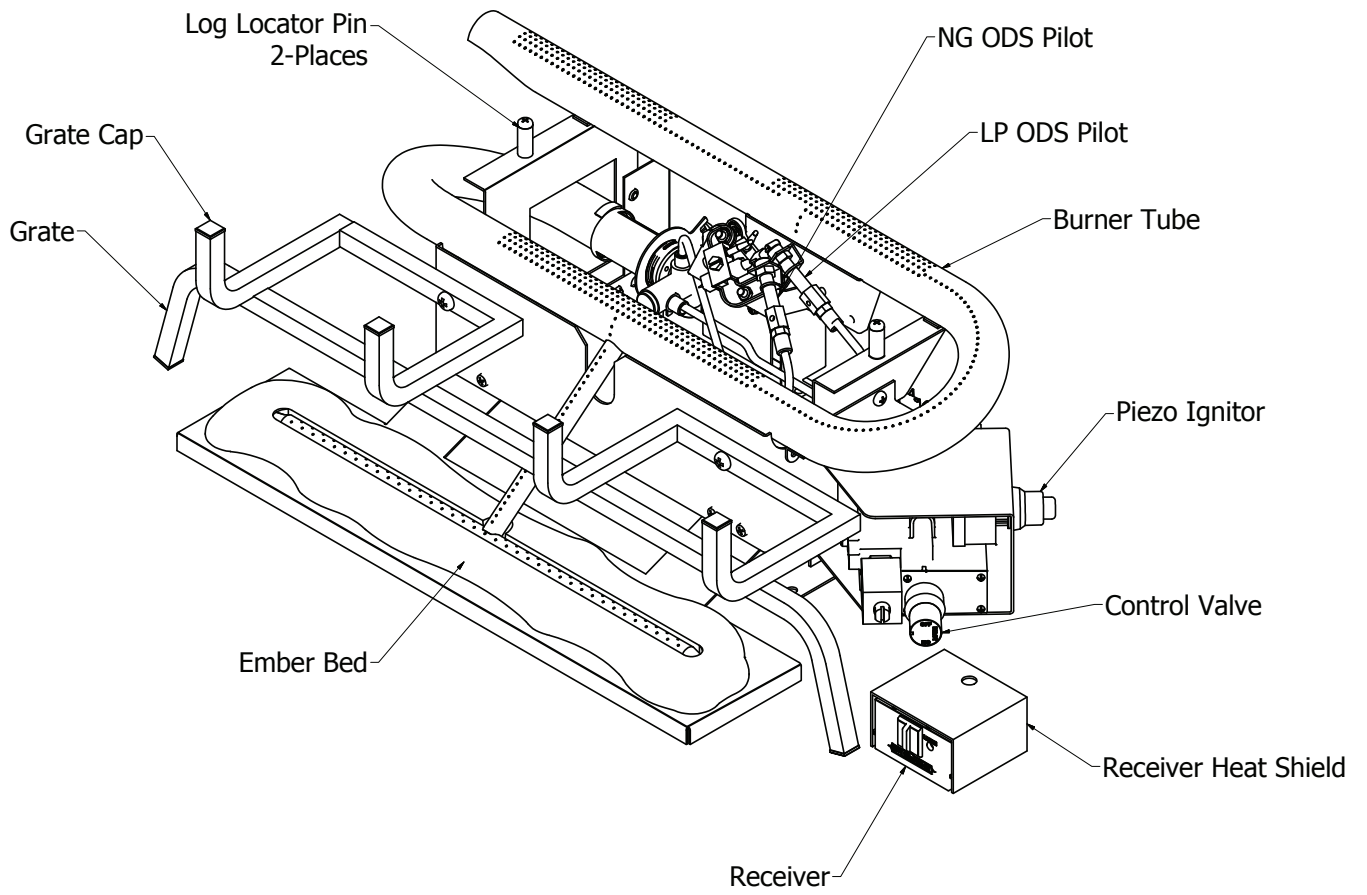
QUALIFIED INSTALLING AGENCY

Only a qualified agency should install and replace gas piping, gas utilization equipment or accessories, and repair and equipment servicing. The term "qualified agency" means any individual, firm, corporation, or company that either in person or through a representative is engaged in and is responsible for:

a) Installing, testing, or replacing gas piping or

b) Connecting, installing, testing, repairing, or servicing equipment; that is experienced in such work; that is familiar with all precautions required; and that has complied with all the requirements of the authority having jurisdiction.

PRODUCT IDENTIFICATION



PRODUCT FEATURES

This log set has been tested and approved to ANSI Z21.11.2-2013 standard for Unvented Heaters and can be operated with the flue damper closed. State and local codes in some areas prohibit the use of vent-free heaters.

DUAL FUEL CAPABILITY

Your heater is equipped to operate on either propane or natural gas. The heater is shipped from the factory ready for connecting to propane. The heater can easily be changed to natural gas by having your qualified installer follow the instructions on page 16 and the markings on the heater.

SAFETY PILOT

This heater has a pilot with an Oxygen Depletion Sensing (ODS) safety shutoff system. The ODS/pilot shuts off the heater if there is not enough fresh air and cuts off main burner gas in the event of flame out.

ELECTRIC PUSH BUTTON IGNITION SYSTEM

This heater is equipped with an electronic piezo control system. This system requires one AAA battery (provided).

THERMOSTAT HEAT CONTROL

The control automatically cycles the burner on and off to maintain a desired room temperature (See page 24). When used as a vented decorative appliance, use of the thermostat function is prohibited, operate manually only.

State of Massachusetts: The installation must be made by a licensed plumber or gas fitter in the Commonwealth of Massachusetts. Sellers of unvented propane or natural gas-fired supplemental room heaters shall provide to each purchaser a copy of 527 CMR 30 upon sale of the unit.

In the State of Massachusetts, unvented propane or natural gas-fired space heaters shall be prohibited in bedrooms and bathrooms.

In the State of Massachusetts the gas cock must be a T-handle type. The State of Massachusetts requires that a flexible appliance connector cannot exceed three feet in length.

LOCAL CODES

Install and use heater with care. Follow all codes. In the absence of local codes, use the latest edition of The National Fuel Gas Code, ANSI Z223.1, also known as NFPA 54*.

*Available from:

American National Standard Institute, Inc.
1430 Broadway
New York, NY 10018

National Fire Protection Association, Inc.
1 Batterymarch Park
Quincy, MA 02269-9101

This heater is designed for vent-free operation. State and local codes in some areas prohibit the use of vent-free heaters.

The installation of appliances designed for manufactured home (U.S. only) or mobile home installation must conform with the *Standard CAN/CSA Z240 MH, Mobile Housing*, in Canada, or with the *Manufactured Home Construction and Safety Standard, Title 24 CFR, Part 3280*, in the United States, or when such a standard is not applicable, *ANSI/NCSSBCS A225.1/NFPA 501A, Manufactured Home Installations Standard*.

PREPARING FOR INSTALLATION

WATER VAPOR: A BY-PRODUCT OF UNVENTED ROOM HEATERS

Water vapor is a by-product of gas combustion. An unvented room heater produces approximately one (1) ounce (30 mL) of water for every 1,000 BTUs (.3 kw) of gas input per hour. An unvented room heater is recommended as a supplemental heater (a room) rather than a primary heat source (an entire house). In most supplemental heat applications, the water vapor does not create a problem. In most applications, the water vapor enhances the low humidity atmosphere experienced during cold weather.

The following steps will help ensure that water vapor does not become a problem:

1. Be sure the heater is the proper size for the application, including adequate combustion air and circulation air.
2. If there is high humidity, a dehumidifier may be used to help lower the water vapor content of the air.
3. Do not use an unvented room heater as the primary heat source.

AIR FOR COMBUSTION AND VENTILATION

This heater shall not be installed in a room or space unless the required volume of indoor combustion air is provided by the method described in the *Nation Fuel Gas Code, ANSI Z223.1/NFPA 54*, the *International Fuel Gas Code*, or applicable local codes.

PRODUCING ADEQUATE VENTILATION

All spaces in homes fall into one of the three following ventilation classifications:

1. Unusually Tight Construction
2. Unconfined Space
3. Confined Space

The information on pages 8-10 will help you classify your space and provide adequate ventilation.

Confined and Unconfined Space

A confined space as a space whose volume is less than 50 cu. ft. per 1,000 BTU/hr (4.8 m³ per kw) of the aggregate input rating of all appliances installed in that space and an unconfined space as a space whose volume is not less than 50 cu. ft. per 1,000 BTU/hr (4.8 m³ per kw) of the aggregate input rating of all appliances installed in that space. Rooms connecting directly with the space in which the appliances are installed*, through openings not furnished with doors, are considered a part of the unconfined space.

This heater shall not be installed in a confined space or unusually tight construction unless provisions are provided for adequate combustion and ventilation air.

* Adjoining rooms are connecting only if there are doorless passageways or ventilation grills between them.

Unusually Tight Construction

The air that leaks around doors and windows may provide enough fresh air for combustion and ventilation. However, in buildings of unusually tight construction, you must provide additional fresh air.

Unusually tight construction is defined as construction where:

- a) walls and ceilings exposed to the outside atmosphere have a continuous water vapor retarder with a rating of one perm (6x10⁻¹¹kg per pa-sec-m²) or less with openings gasketed or sealed and
- b) weather stripping has been added on windows that can be opened and on doors and
- c) caulking or sealants are applied to areas such as joints around window and door frames, between sole plates and floors, between wall-ceiling joints, between wall panels, at penetrations for plumbing, electrical, and gas lines, and at other openings.

If your home meets all of the three criteria above, you must provide additional fresh air. See "Ventilation Air From Outdoors" (page 9). If your home does not meet all of the three criteria above, proceed to "Determining Fresh-Air Flow For Heater Location".

PREPARING FOR INSTALLATION

DETERMINING FRESH-AIR FLOW FOR HEATER LOCATION

Determining if You Have a Confined or Unconfined Space

Use this worksheet to determine if you have a confined or unconfined space.

Space: Includes the room in which you will install heater plus any adjoining rooms with doorless passageways or ventilation grills between the rooms.

1. Determine the volume of the space $\text{Length} \times \text{Width} \times \text{Height} = \text{cu. ft. (volume of space)}$
Example: Space size 20 ft. (length) \times 16 ft.(width) \times 8 ft. (ceiling height) = 2560 cu. ft. (volume of space)

If additional ventilation to adjoining room is supplied with grills or openings, add the volume of these rooms to the total volume of the space.

2. Divide the space volume by 50 cu. ft. to determine the maximum BTU/hr the space can support.
_____ (volume of space) \div 50 cu. ft.= (Maximum BTU/hr the space can support)

Example: 2560 cu. ft. (volume of space) \div 50 cu. ft. = 51.2 or 51,200 (maximum BTU/hr the space can support)

3. Add the BTU/hr of all fuel burning appliances in the space.

Vent-free heater _____ BTU/hr

Gas water heater* _____ BTU/hr

Gas furnace _____ BTU/hr

Vented gas heater _____ BTU/hr Example:

Gas heater logs _____ BTU/hr Gas water heater 30,000 BTU/hr

Other gas appliances*+ _____ BTU/hr Vent-free heater + 26,000 BTU/hr

Total = _____ BTU/hr Total = 56,000 BTU/hr

*Do not include direct-vent gas appliances. Direct-vent draws combustion air from the outdoors and vents to the outdoors.

4. Compare the maximum BTU/hr the space can support with the actual amount of BTU/hr used.

_____ BTU/hr (maximum the space can support)

_____ BTU/hr (actual amount of BTU/hr used).

Example : 51,200 BTU/hr (maximum the space can support) 56,000 BTU/hr (actual amount of BTU/hr used)

The space in the above example is a confined space because the actual BTU/hr used is more than the maximum BTU/hr the space can support.

You must provide additional fresh air. Your options are as follows:

- Rework worksheet, adding the space of an adjoining room. If the extra space provides an unconfined space, remove door to adjoining room or add ventilation grills between rooms. See "Ventilation Air From Inside Building," page 9.
- Vent room directly to the outdoors. See "Ventilation Air From Outdoors", page 9.
- Install a lower BTU/hr heater if lower BTU/hr size makes room unconfined. If the actual BTU/hr used is less than the maximum BTU/hr the space can support, the space is an unconfined space. You will need no additional fresh air ventilation.

PREPARING FOR INSTALLATION

WARNING: If the area in which the heater may be operated does not meet the required volume for indoor combustion air, combustion and ventilation air shall be provided by one of the methods described in the NATIONAL FUEL GAS CODE, ANSI Z223.1/NFPA 54, the INTERNATIONAL FUEL GAS CODE, or applicable local codes.

Ventilation Air From Inside Building

This fresh air would come from adjoining unconfined space. When ventilating to an adjoining unconfined space, you must provide two permanent openings: one within 12 in. of the wall connecting the two spaces (see options 1 and 2, Fig. 1). You can also remove door into adjoining room (see option 3, Fig. 1). Follow the National Fuel Gas Code NFPA 54/ANS Z223.1. Air for Combustion and Ventilation for required size of ventilation grills or ducts.

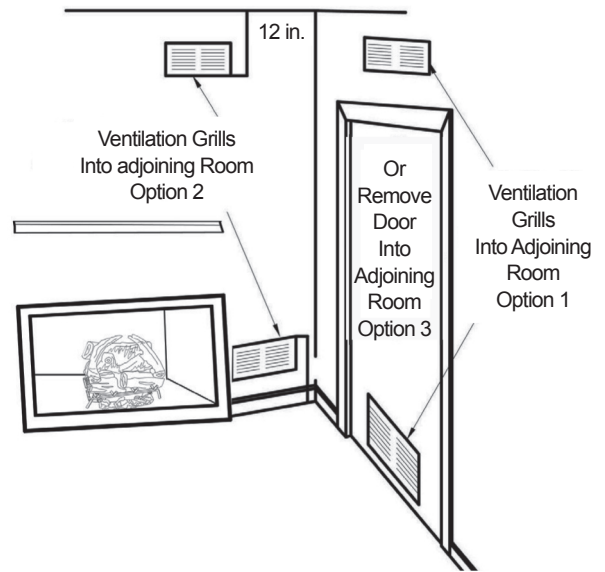


Fig. 1 - Ventilation Air from Inside Building

Ventilation Air From Outdoors

Provide extra fresh air by using ventilation grills or duct. You must provide two permanent openings: one within 12 in. of the ceiling and one within 12 in. of the floor. Connect these items directly to the outdoors or spaces open to the outdoors. These spaces include attics and crawl spaces. Follow the National Fuel Gas Code NFPA 54/ANS Z223.1. Air for Combustion and Ventilation for required size of ventilation grills or ducts.

IMPORTANT: Do not provide openings for inlet or outlet air into attic if attic has a thermostat-controlled power vent. Heated air entering the attic will activate the power vent. Rework worksheet, adding the space of the adjoining unconfined space. The combined spaces must have enough fresh air to supply all appliances in both spaces.

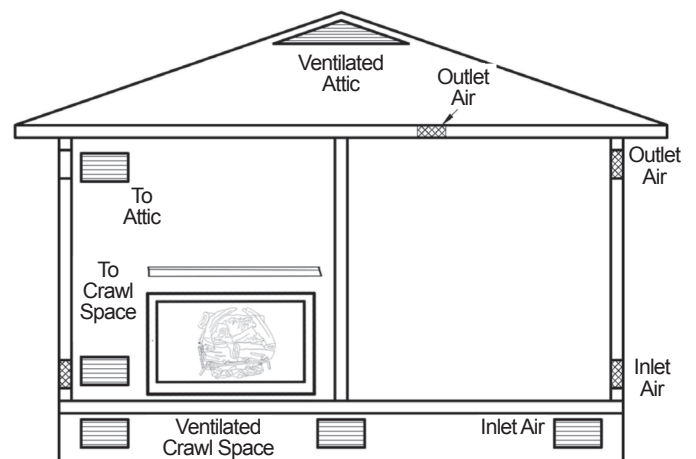


Fig. 2 - Ventilation Air from Outdoors

INSTALLATION

⚠ WARNING: Do not attempt to access or change the setting of the fuel selection means.

Access to and adjustment of the fuel selection means must only be performed by a qualified service person when connecting this appliance to a specified fuel supply at the time of installation.

Change of the selector setting to other than the fuel type specified at the time of installation could damage this appliance and render it inoperable.

The installer shall replace the access cover before completing the installation and operating this appliance.

⚠ NOTICE: This heater is intended for use as supplemental heat. Use this heater along with your primary heating system. Do not install this heater as your primary heat source. If you have a central heating system, you may run system's circulating blower while using heater. This will help circulate the heat throughout the house.

⚠ WARNING: A qualified technician must install heater. Follow all local codes.

⚠ WARNING: Never install the heater:

- in a bedroom or bathroom
- in a recreational vehicle
- where curtains, furniture, clothing, or other flammable objects are less than 42 in. from the front, top or sides of the heater.
- in high traffic areas
- in windy or drafty areas

CAUTION: This heater creates warm air currents. These currents move heat to wall surfaces next to heater. Installing heater next to vinyl or cloth wall coverings or operating heater where impurities (such as tobacco smoke, aromatic candles, cleaning fluids, oil or kerosene lamps, etc.) in the air exist, may cause walls to discolor.

⚠ WARNING: Any glass doors shall be fully opened when the appliance is in operation.

⚠ WARNING: Before installing in a solid-fuel burning fireplace, the chimney flue and firebox must be cleaned of soot, creosote, ashes and loose paint by a qualified chimney cleaner.

⚠ WARNING: Do not allow fans to blow directly into the fireplace. Avoid any drafts that alter burner flame patterns.

⚠ WARNING: Do not use a blower insert, heat exchanger insert or other accessory not approved for use with this heater.

IMPORTANT: Vent-free heaters add moisture to the air. Although this is beneficial, installing heater in rooms without enough ventilation air may cause mildew to form from too much moisture. See Air for Combustion and Ventilation, pages 8 through 10.

CHECK GAS TYPE

Be sure your gas supply is right for your heater.

NOTICE: State or local codes may only allow operation of this appliance in a vented configuration. Check your state or local codes.

⚠ WARNING: This appliance is designed for installation in only a solid-fuel burning masonry or UL 127 factory-built fireplace or in a listed ventless firebox enclosure. Exception: DO NOT install this appliance in a factory-built fireplace that includes instructions stating it has not been tested or should not be used with unvented gas logs.

⚠ WARNING: Solid-fuels shall not be burned in a fireplace in which an unvented room heater is installed.

⚠ WARNING: Any outside air ducts and/or ash dumps in the fireplace shall be permanently closed at time of appliance installation.

INSTALLATION

CHECK GAS TYPE

Make sure your gas supply is correct for your log set. If supply is not correct, do not install heater. Call dealer where you purchased heater for proper gas log set.

LOG SIZING REQUIREMENTS

Log Size	Minimum Firebox Size			
	Height	Depth	Front Width	Rear Width
24 in.	24 in.	15 in.	32 in.	22 in.
30 in.	24 in.	15 in.	36 in.	24 in.

Heater CLEARANCES

- ⚠ CAUTION: If you install the heater in a home garage**
- heater pilot and burner must be at least 18" above floor.
 - locate heater where moving vehicle will not hit it.

For convenience and efficiency, install heater

- where there is easy access for operation, inspection and service
- in coldest part of room
- If this appliance is to be installed directly on carpeting, tile or other combustable material, other than wood flooring, the appliance must be installed on a metal or wood panel extending the full width and depth of the appliance.

Minimum Clearances For Side Combustible Material, Side Wall and Ceiling

A. Clearances from the side of the heater cabinet to any combustible material and wall should follow diagram in Figure 2.5.

B. Clearances from the top of the heater opening to the ceiling should not be less than 36".

- ⚠ WARNING:** Maintain the minimum clearances. If possible, provide greater clearances from the floor, ceiling, and adjoining wall than required.

Fig. 2.5

Minimum Fireplace Clearance to Combustible Materials		
Log size	Side wall	Ceiling
24 in.	16 in.	36 in.
30 in.	16 in.	36 in.

- ⚠ WARNING:** Seal any fresh air vents or ash clean-out doors located on the floor or wall of fire place to prevent drafting caused by pilot outage or sooting. Use a heat-resistant sealant. Do not seal chimney flue damper.

INSTALLATION

MINIMUM NONCOMBUSTIBLE MATERIAL CLEARANCE If Not Using Mantel

You must have noncombustible material(s) above the fireplace opening. Noncombustible materials (such as slate, marble, tile, etc.) must be at least 1/2 in. thick. With sheet metal, you must have noncombustible material behind it, such as a noncombustible fireplace hood accessory. See Fig. 4.

NOTICE: This heater may be used as a vented product. If so, you must always operate log set with chimney flue damper open. If running log set with damper open, noncombustible material above fireplace opening is not needed. Go to Installing Damper Clamp Accessory for Vented Operation, page 14. When used as a vented decorative appliance, use of the thermostat function is prohibited, operate manually only.

Fig. 3 - Minimum Clearance for Combustible to Wall

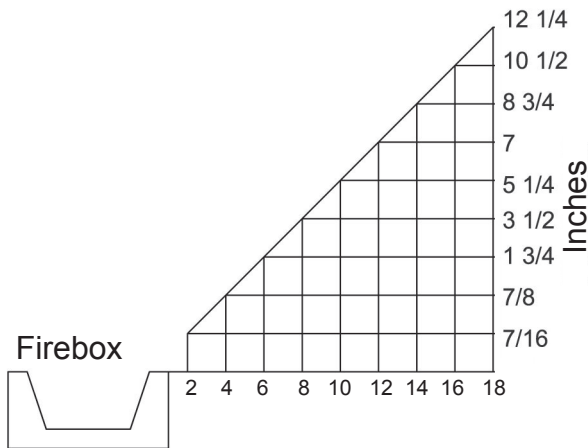
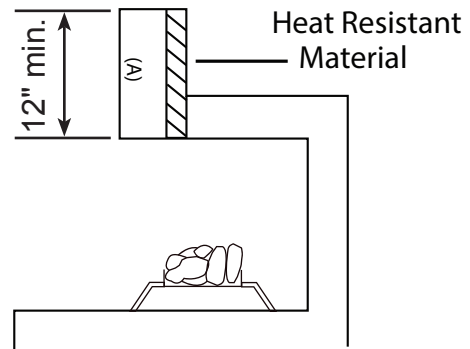


Fig. 4 - Heat resistant material (slate, marble, tile, etc.) above fireplace



If Using Mantel

You must have noncombustible material(s) (such as slate, marble, tile, etc.) at least 1/2 in. thick. With sheet metal, you must have noncombustible material behind it. Noncombustible material must extend at least 12 inches up. If noncombustible material is less than 12 in., you must install the fireplace hood accessory. Even if noncombustible material is more than 12 in., you may need the hood accessory to deflect heat away from mantel shelf. See Fig. 3 and 4 for minimum clearances requirements.

IMPORTANT: If these minimum clearances are not met, you must operate heater with chimney flue damper open. Go to “Installing Damper Clamp Accessory for Vented Operation,” page 14.

INSTALLATION

MANTEL CLEARANCES

In addition to meeting noncombustible material clearances, you must also meet required clearances between fireplace opening and mantel shelf. If the clearances listed below are not met, you will need a hood.

Determining Mantel Clearances

If you meet minimum clearance requirements between mantel shelf and top of fireplace opening, a hood is not necessary (see Fig. 5).

Noncombustible Material Distance	Requirements for Safe Installation
8 in. or more	Noncombustible material okay.
Less than 8 in.	Noncombustible material must be extended to at least 8 in. See between 8 in. and 12 in. above. If you can not extend material, you must operate heater with flue damper open.

Determining Minimum Mantel Clearance When Using a Hood

If minimum clearances in Fig. 6 are not met, you must have a hood. When using a hood there are still certain minimum mantel clearances required. Follow minimum clearances shown in Fig. 6 when using a hood.

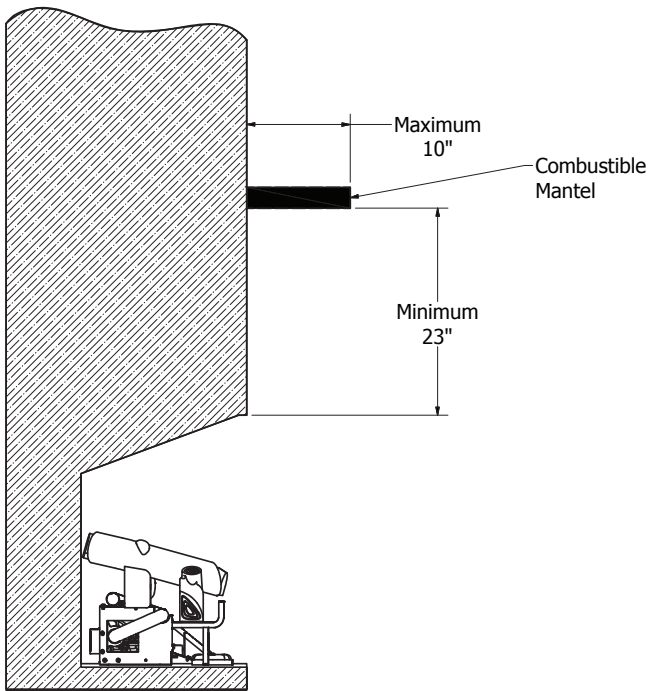


Fig. 5

Closed Flue Mantel Clearances
Without Hood

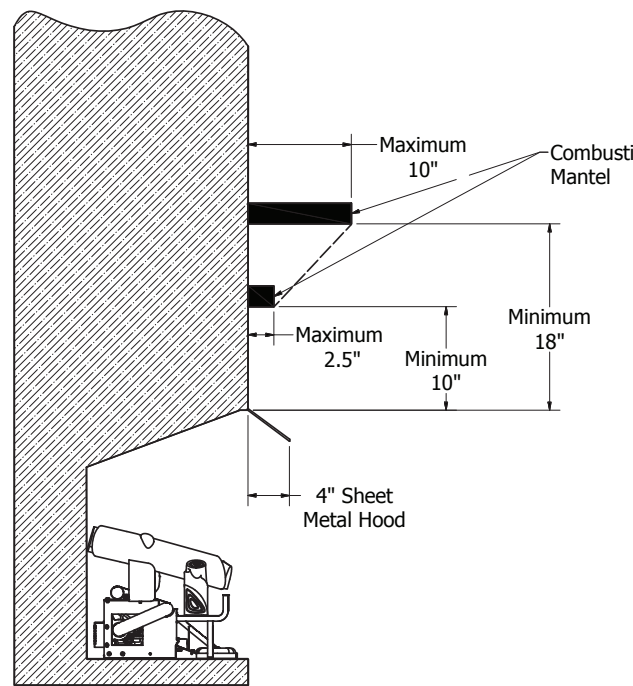


Fig. 6

Closed Flue Mantel Clearances
With Hood

NOTICE: Surface temperature of adjacent walls and mantels become hot during operation. Walls and mantels above the firebox may become too hot to touch. If installed properly, these temperatures meet the requirement of the national product standard. Follow all minimum clearances shown in this manual.

NOTICE: If your installation does not meet the minimum clearances shown, you must do one of the following: Operate the logs with the flue damper open only. Raise the mantel to an acceptable height.

INSTALLATION

FLOOR CLEARANCES

- If installing appliance on floor level, you must maintain the minimum distance of 14 in. to combustibles (see Fig. 7).
- If combustible materials are less than 14 in. to the fireplace, you must install appliance at least 5 in. above the combustible flooring (see Fig. 8).

Fig. 8 - Minimum fireplace clearances above combustible flooring

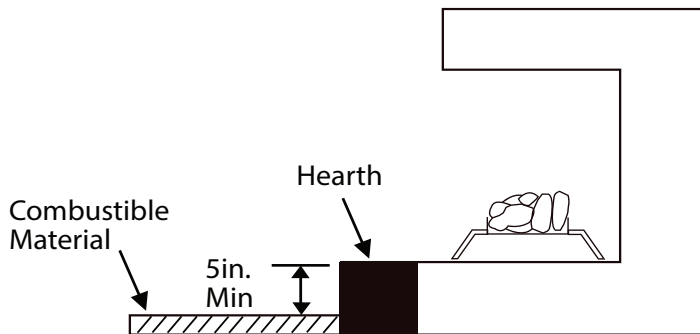


Fig. 7 - Minimum fireplace clearances if installed at floor level

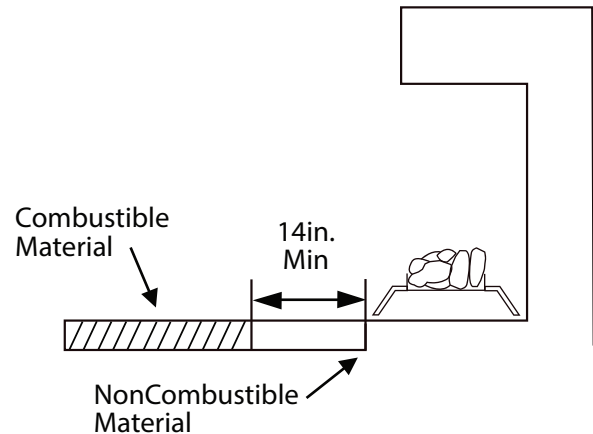
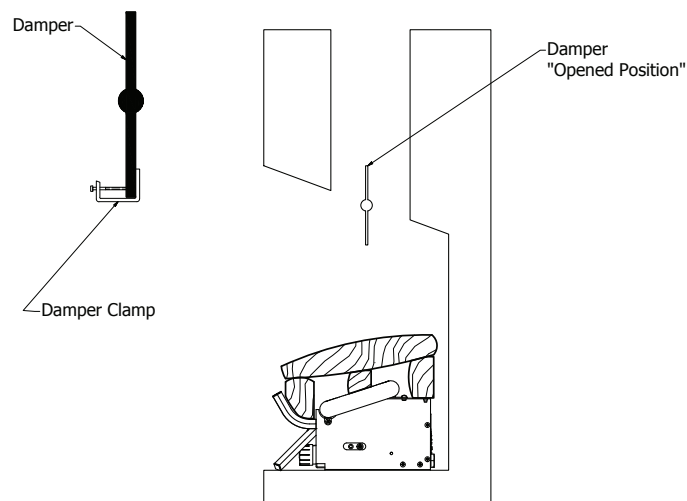


Fig. 9 - Attach Damper to Fireplace



INSTALLING DAMPER CLAMP ACCESSORY FOR VENTED OPERATION

NOTE: When used as a vented heater, appliance must be installed only in a solid-fuel burning fireplace with a working flue constructed of noncombustible material. You may use this heater as a vented product. When used as a vented decorative appliance, use of the thermostat function is prohibited, operate manually only. There are three reasons for operating your heater as a vented model:

- The fireplace does not meet the clearance requirements for vent-free operation.
- State or local codes do not permit vent-free operation.
- You prefer vented operation.

INSTALLATION

WARNING: Failure to position the parts in accordance with these diagrams or failure to use only parts specifically approved with this heater may result in property damage or personal injury.

Before beginning assembly or operation of the product, make sure all parts are present. Compare parts with package contents list. If any part is missing or damaged, do not attempt to assemble, install or operate the product. Contact customer service for replacement parts.

Estimated Assembly Time: 1 to 2 hours

Tools Required for Assembly (Not Included, unless otherwise stated):

Before installing heater, make sure you have the the following:

- Hardware package (provided with heater)
- Approved flexible gas hose if allowed by local codes
- Sealant (resistant to natural or propane/LP gas)
- Electric drill with 3/16- in. drill bit
- Phillips screwdriver
- External regulator (supplied by installer if required)
- Piping (check local codes)
- Equipment shutoff valve
- Test gauge connection
- Sediment trap
- Tee joint
- Pipe wrench
- 3/8" NPT to 3/8" flare fitting

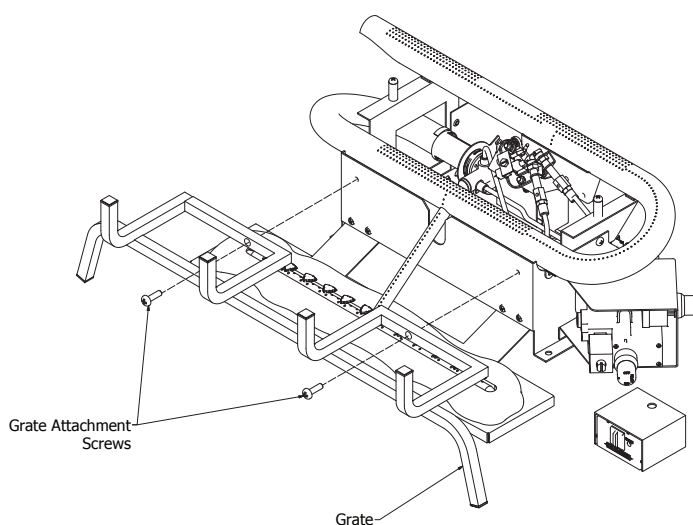
UNPACKING

1. Remove logs, grate, and burner base assembly from carton. NOTE: Do not pick up burner base assembly by burners as this could damage heater. Always handle base assembly by frame.
2. Remove all protective packaging applied to logs and heater for shipment.
3. Check all items for any shipping damage. If damaged, promptly inform dealer where you purchased the heater.

Fig. 10

GRATE ASSEMBLY PROCEDURE

1. Position the grate in front of the burner so the 2 legs are pointing downward, the "grate ends" that the logs sit on are pointing upward, and the screw holes line up with the screw holes on the burner unit (See Fig. 10)
2. Hand tighten the grate to the burner with (2) Attachment Screws, each at an equal distance until hand tightening is no longer possible
3. Finish tightening each Attachment Screw with a screw driver, but make sure not to over tighten.



INSTALLATION

GAS SELECTION INSTRUCTIONS

⚠ WARNING: This appliance can be used with propane or natural gas. It is shipped from the factory adjusted for use with propane.

CAUTION: The knob to the gas selection means shall not be accessed or adjusted while the appliance is in operation.

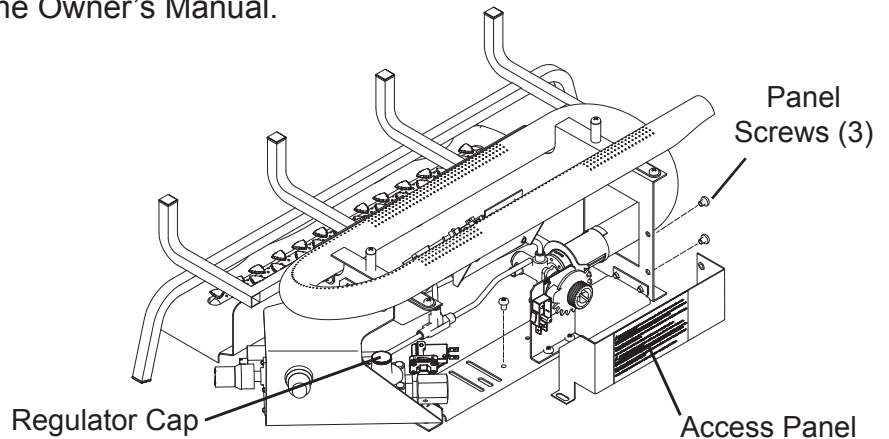
CAUTION: Two gas line installations at the same time are prohibited. The access plate to simple switching means shall not be opened while heater is in operation.

Installation and adjustments shall be made by a qualified technician only.

NOTE: If you are connecting this appliance to propane do not make any adjustments. Proceed to installing the gas line as instructed in the Owner's Manual.

Convert to natural gas:

Step 1 - Remove access panel



Step 2 - Converting the regulator

Unscrew the cap on top of the pressure regulator by turning it counter clockwise. Unscrew the plunger pin from the regulator cap by turning it counter clockwise. Flip the plunger pin 180 degrees and screw it back into the regulator cap by turning it clockwise. Replace the cap by turning it clockwise back onto the regulator. Make sure the plunger pin and cap are finger tight. (See Fig. 11)

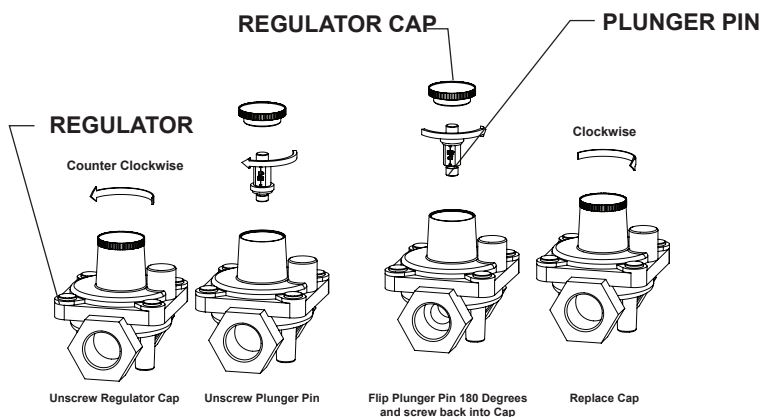


Fig. 11 - Regulator Conversion

Step 3 - Adjust the gas selector valve

Push in on the selector valve Knob and rotate the knob clockwise until it stops. Release the knob (See Fig. 12)

Ensure microswitch trips in correct position (see Fig. 12)

Do not operate the appliance between locked positions.

Step 4 - Replace Access Panel

Reverse steps 1 and 2 to convert back to propane gas.

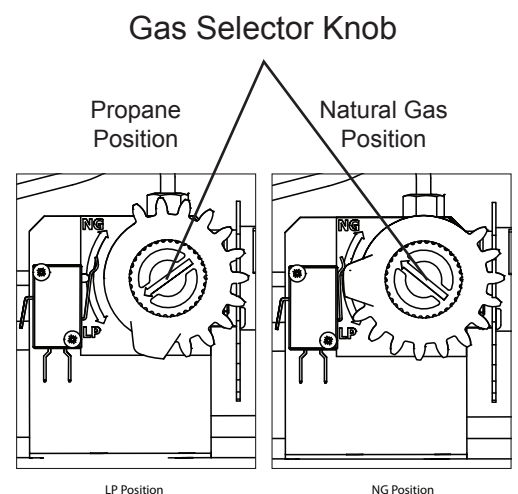


Fig. 12 - Selector Valve

INSTALLATION

CONNECTING TO GAS SUPPLY

⚠ WARNING: A qualified service technician must connect heater to gas supply. Follow all local codes.

CAUTION: Never connect heater directly to the gas supply. This heater requires an external regulator (not supplied). The external regulator between the gas supply and heater must be installed. Gas supplier provides external regulator for natural gas.

⚠ WARNING: Never connect heater to private (non-utility) gas wells. This gas is commonly known as wellhead gas.

The installer must supply an external regulator for liquid propane. The external regulator is provided by the gas supplier for natural gas. The external regulator will reduce incoming gas pressure. You must reduce incoming gas pressure to between 11 and 14 in. of water column for propane and between 6 and 7 in. of water column for natural gas. If you do not reduce incoming gas pressure, heater regulator damage could occur. Install external regulator with the vent pointing down as shown in Fig. 13. Pointing the vent down protects it from freezing rain or sleet.

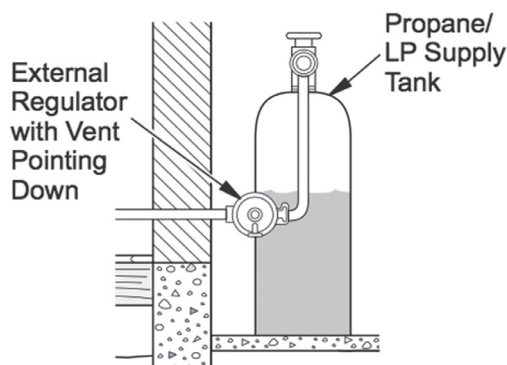


Fig. 13 - Regulator Conversion

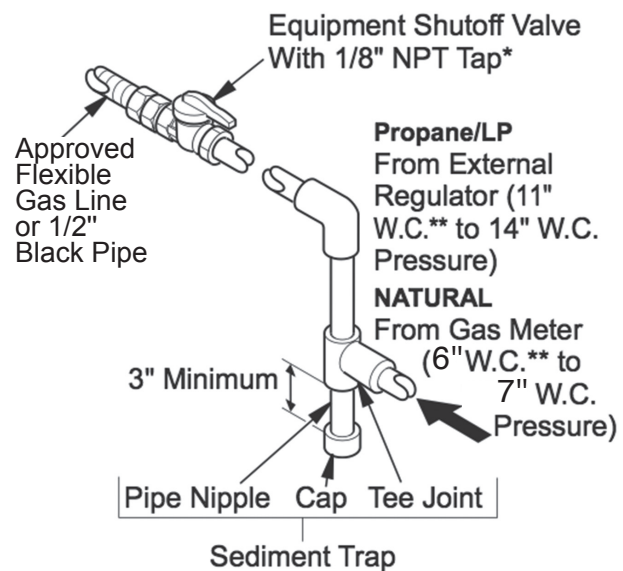


Fig. 14 - Gas Connection

* Purchase the optional equipment shutoff valve from your local Home Center store.

⚠ CAUTION: Use only new black iron or steel pipe. Internally tinned copper tubing may be used in certain areas. Check your local codes. Use pipe of $\frac{1}{2}$ in. diameter or greater to allow proper volume gas to heater. If pipe is too small, loss of pressure will occur. Installation must include an equipment shutoff valve, union, and plugged 1/8-in. NPT tap. Locate NPT tap within reach for test gauge hook up. NPT tap must be upstream from heater (See Fig. 14).

IMPORTANT: Install equipment shutoff valve in an accessible location. The equipment shutoff valve is for turning on or shutting off the gas to the appliance. Apply pipe joint sealant lightly to male threads. This will prevent excess sealant from going into pipe. Excess sealant in pipe could result in clogged heater valves.

INSTALLATION

CAUTION: Use pipe joint sealant that is resistant to gas (PROPANE or NG). We recommend that you install a sediment trap in a supply line. Locate sediment trap where it is within reach for cleaning and not likely to freeze. Install in the piping system between fuel supply and heater. A sediment trap traps moisture and contaminants. This keeps them from going into heater controls. If sediment trap is not installed or is installed incorrectly, heater may not run properly.

CAUTION: Avoid damage to regulator. Hold gas regulator with wrench when connecting into gas piping and/or fittings. NG Models: 6 in. to 7 in. W.C. Gas supplier provides external regulator for natural gas.

Installation Items Needed (Not Provided)

- 8" Adjustable Wrench
- 8" Pipe Wrench
- 3/8" Flexible Gas Line (24" Min.) or 1/2" Black Pipe
- 90 Deg. 3/8 NPT x 3/8" Flare Fitting or 3/8" Street Elbow
- Sealant (Resistant to Propane (LP) Gas)
- Shut Off Valve

1) A variety of options are possible for routing the Gas Connection Lines depending on where your Gas Supply line is located. Install the 3/8" Fitting to the Heater Regulator using Sealant and direct the attachment and either left or right toward the Gas Supply Line.

NOTICE: Most building codes do not permit concealed gas connections. Check your local building code prior to using a Flexible Gas Line for this installation.

2) Install the Gas Line to the 90 Deg. fitting and attach to the Shut Off Valve. It may be necessary to cut and access hole in the side or bottom of the Mantel Cabinet depending on your particular connection.

3) Check all connections for gas leaks.

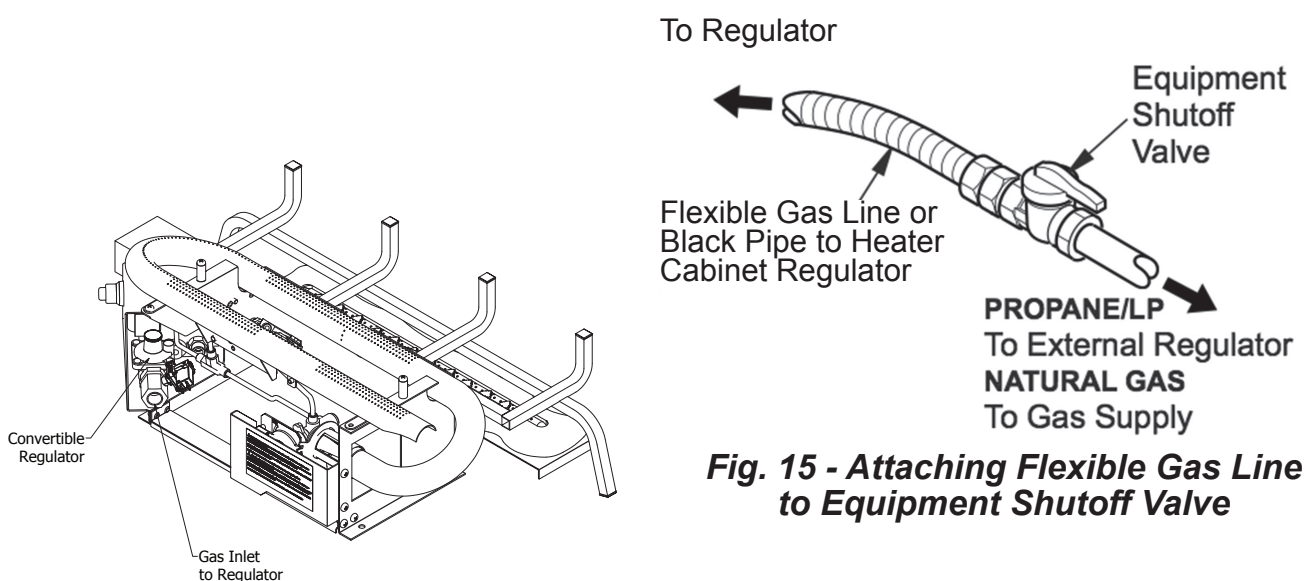


Fig. 15 - Attaching Flexible Gas Line to Equipment Shutoff Valve

INSTALLATION

CHECKING GAS CONNECTIONS

⚠ WARNING: Test all gas piping and connections for leaks after installing or servicing. Correct all leaks immediately.

⚠ WARNING: Never use an open flame to check for a leak. Apply a mixture of liquid soap and water to all joints. If bubbles form, there may be a leak. Correct all leaks immediately.

Pressure Testing Gas Supply Piping System

Test Pressures In Excess Of 1/2 PSIG (3.5kPa)

1. Disconnect heater with its appliance main gas valve (control valve) and equipment shutoff valve from gas supply piping system. Pressures in excess of 1/2 PSIG will damage heater regulator.
2. Cap off open end of gas pipe where equipment shutoff valve was connected.
3. Pressurize supply piping system by either using compressed air or opening gas supply tank valve.
4. Check all joints of gas supply piping system. Apply mixture of liquid soap and water to gas joints. If bubbles form, there may be a leak.
5. Correct all leaks immediately.
6. Reconnect heater and equipment shutoff valve to gas supply. Check reconnected fittings for leaks.

Test Pressures Equal To or Less Than 1/2 PSIG (3.5 kPa)

1. Close equipment shutoff valve (See Fig. 16).
2. Pressure supply piping system by either using compressed air or opening gas supply tank valve.
3. Check all joints from gas meter to equipment shutoff valve (See Fig. 17.1 or 17.2). Apply mixture of liquid soap and water to gas joints. If bubbles form, there may be a leak.
4. Correct all leaks immediately.

Pressure Testing Heater Gas Connections

1. Open equipment shutoff valve (See Fig. 16).
 2. Open gas supply tank valve.
 3. Make sure control knob of heater is in the OFF position.
 4. Check all joints from equipment shutoff valve to control valve (See Fig. 17.1 or 17.2). Apply mixture of liquid soap and water to gas joints. If bubbles form, there may be a leak.
 5. Light heater (see Operation, page 24).
- Check all other internal joints for leaks.
6. Turn off heater (see "To Turn Off Gas to Appliance," page 24).

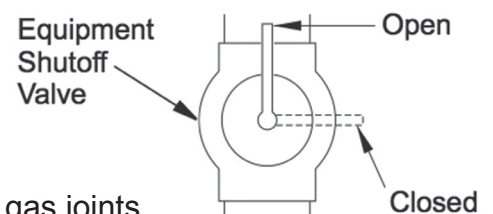
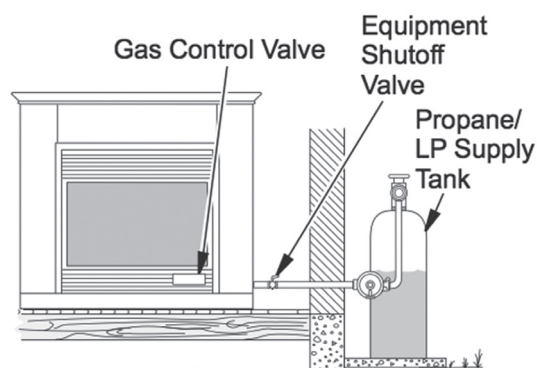
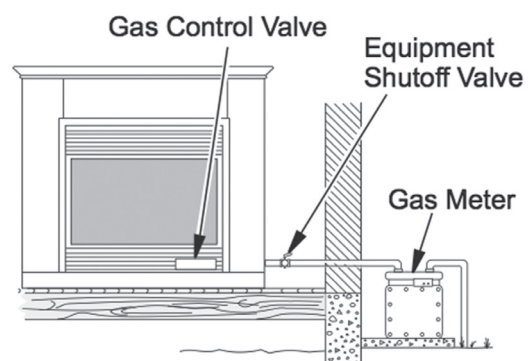


Fig. 16 - Equipment Shutoff Valve



**Fig. 17.1 - Checking Gas Joints
(Propane/LP Only)**



**Fig. 17.2 - Checking Gas Joints
(Natural Gas Only)**

INSTALLATION

In compliance with ANSI Z21.60•CGA2.26 and National Fuel Gas Code, Section 6.

BEFORE INSTALLING THE APPLIANCE

- Turn off gas supply to fireplace or firebox.
- Clean fireplace floor and chimney before installing log set. Seal any ash. Clean out doors to protect the unit from down drafts.

MOUNTING ASSEMBLY PROCEDURE

- Place grate/burner assembly into firebox with the front pan facing forward.
- Drill two (2) 5/32" diameter holes approximately 1" deep.
- Anchor the front pan to the floor using the (2) Concrete Attachment Screws (Not Included). (See Fig. 18).
- Proper installation of the grate is essential to prevent any movement of the gas logs and controls during operation.

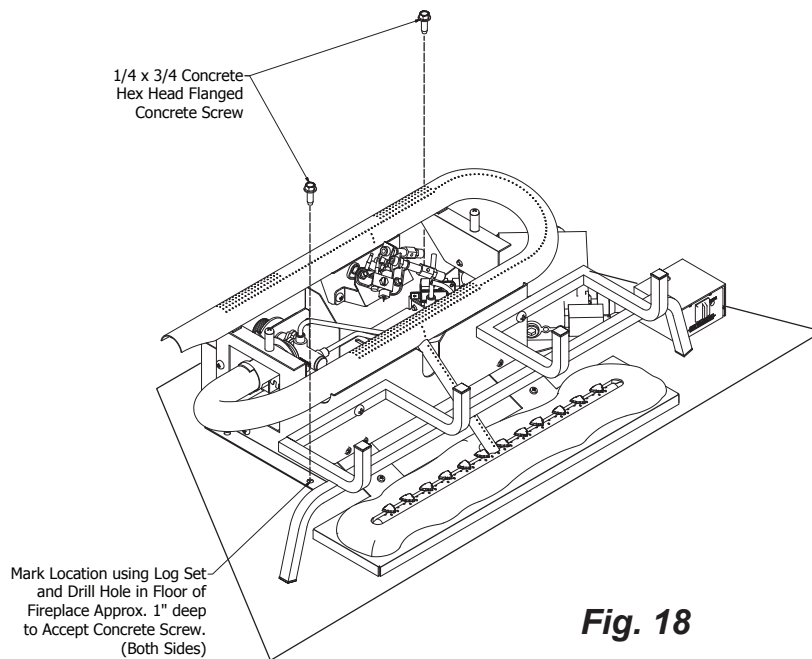


Fig. 18

ASSEMBLING LOGS

⚠ WARNING: Failure to position the parts in accordance with these diagrams or failure to use only parts specifically approved with this heater may result in property damage or personal injury.

⚠ WARNING: All previously applied loose material must be removed prior to reapplication

⚠ CAUTION: After installation and periodically thereafter, check to ensure that no yellow flame comes in contact with any log. With the heater set to High, check to see if yellow flames contact any log. If so, reposition logs according to the log installation instructions in this manual. Yellow flames contacting logs will create soot.

It is very important to install the logs exactly as instructed. Do not modify logs; use only logs supplied with heater. Each log is marked with a number, and this number will help you identify each log during installation.

Provided Logs: 8

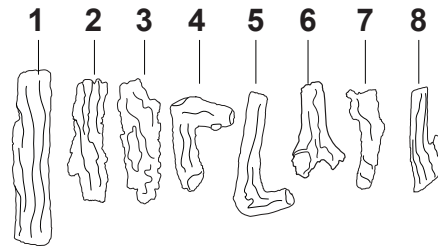
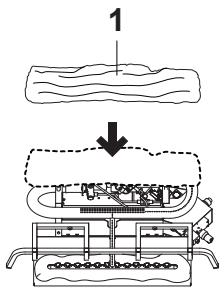
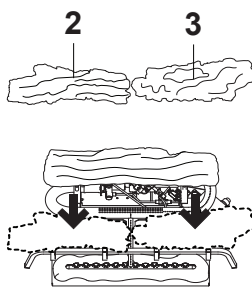


Fig. 19 - Installing Log #1



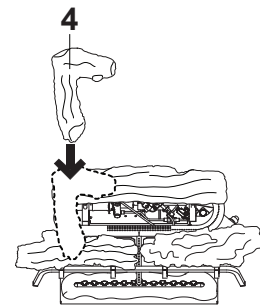
1. Insert log #1 onto pins in middle grate base.

Fig. 20 - Installing Log #2-3



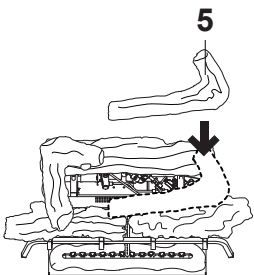
2. Place log #2 & #3 onto the front grate. Make sure the recessed areas on the log match up with the grate, and the inside end of each log is centered on grate.

Fig. 21 - Installing Log #4



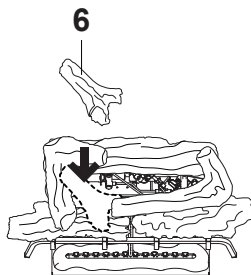
3. Place log #4 so it is resting in the top left recessed areas of logs #1 & #2.

Fig. 22 - Installing Log #5



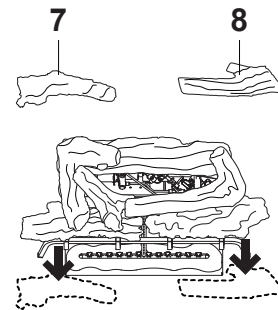
4. Place log #5 so it is resting in the top right recessed areas of logs #1 & #4, and just touching the top right of log #2.

Fig. 23 - Installing Log #6



5. Place log #6 so it is resting in the crotch of log #4 and so the crotch of log #6 is in between log #5.

Fig. 24 - Installing Log #7-8



6. Log #7 & #8 are optional - decorative logs that can be placed anywhere NOT on the unit, but on the floor of the firebox. It is recommended to place them as illustrated.

INSTALLATION

EMBER FLAKE INSTALLATION

NOTE: This is an optional accessory, and is not required for operation of the heater.

⚠ WARNING: Apply loose material per instruction manual. **DO NOT** apply extra material or material not supplied with the heater. Replace only with Pleasant Hearth brand Ember Flakes (Model #GEF100).

⚠ WARNING: All previously applied loose material must be removed prior to reapplication.

⚠ WARNING: This appliance includes a material to simulate glowing embers when the unit is in operation. Positioning this material is critical to the safe operation of the unit and directions for the size and placement must be followed explicitly.

1. Open the small bag and remove all of the ember material.
2. Tear the material into flat triangular shapes approximately ½" on each side.
3. Carefully place the shapes on the horizontal burner tube as depicted in Fig. 25.
4. Make sure the Ember Flakes do not cover the Burner Port Holes.
5. Flames emanating from the Burner Port Holes will cause the ember Flake edges to glow when the unit is in operation.

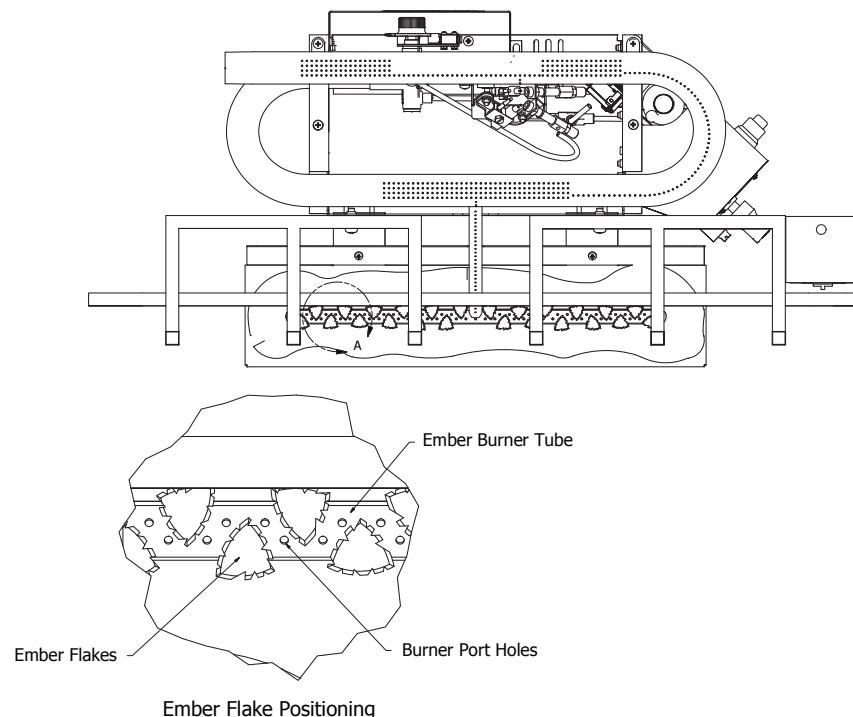


Fig. 25

OPERATION

FOR YOUR SAFETY READ BEFORE LIGHTING



WARNING: If you do not follow these instructions exactly, a fire or explosion may result causing property damage, personal injury or loss of life.

A. This appliance has a pilot which must be lighted by the electronic ignitor. When lighting the pilot, follow these instructions exactly.

B. **BEFORE LIGHTING** smell all around the appliance area for gas. Be sure to smell next to the floor because some gas is heavier than air and will settle on the floor.

WHAT TO DO IF YOU SMELL GAS

- Do not try to light any appliance.
- Do not touch any electrical switch; do not use any phone in your building.
- Immediately call your gas supplier from a neighbor's phone. Follow the gas supplier's instructions.
- If you cannot reach your gas supplier, call the fire department

C. Use only your hand to push in or turn the gas control knob. Never use tools. If the knob will not push in or turn by hand, don't try to repair it, call a qualified service technician. Forced or attempted repair may result in fire or explosion.

D. Do not use this appliance if any part has been under water. Immediately call a qualified service technician to inspect the appliance and to replace any part of the control system and any gas control which has been under water.

BATTERY INSTRUCTIONS

- Batteries are included.
- Remove batteries when depleted.
- Install/replace the batteries according to the type and quantity stated in table below.
- Do not mix old and new batteries. New batteries should be the same brand for best results.
- Be sure to observe proper polarity (+/-) when installing or replacing the batteries. Damage due to improper battery installation may void the warranty on the product.
- For remote control systems, maximize battery life by turning off the receiver when it is not in use.
- For long periods of non-operation, remove batteries from all components for safety.

Component	Type of Battery	Battery Qty.
Ignitor	AAA	1

*Note: Quantity depends on model of remote control.

LIGHTING INSTRUCTIONS

1. STOP! Read the safety information as noted above.
2. Set receiver switch to "ON" position (See Fig. 26).

- When used as a vented decorative appliance, use of the thermostat function is prohibited, operate manually only.

3. Turn control knob clockwise ↻ to the "OFF" position (See Fig. 26).
4. Wait five (5) minutes to clear out any gas. Then smell for gas, including near the floor. If you smell gas, STOP! Follow "B" in the safety information as noted above. If you don't smell gas, go to the next step.
5. Push in slightly and turn control knob counterclockwise ↻ to the "PILOT" position (See Fig. 26). Depress control knob.
6. With control knob depressed, push down on the ignitor button until the pilot lights. The pilot's location is behind log #3 near the center of the burner. (See Fig. 27).
7. Keep control knob depressed for (30) seconds after pilot lights. Release control knob.

- If the control knob does not pop up when released, stop and immediately call a qualified service technician or gas supplier.
- If pilot goes out repeat steps 3 through 7. Wait (1) minute before attempting to light pilot again. If after several tries the pilot still goes out, turn the gas control knob clockwise ↻ to the "OFF" position and call a qualified service technician.

8. Turn control knob counterclockwise ↻ to the "ON" position.
9. To use the included thermostatic remote control, set receiver switch to the "REMOTE" position (See Fig. 28). Press the ON button to turn on the remote to ignite the main burner. Refer to the remote control instruction manual on the next page for "MODE" and "SET" functions.

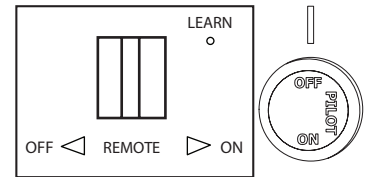
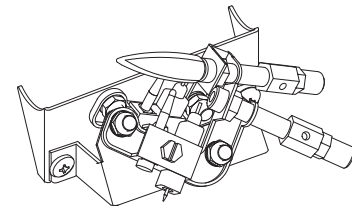


Fig. 26 - Receiver & Control Knob



Note: Small Flame on LP ODS Pilot

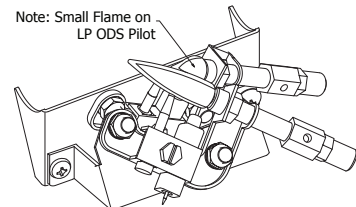


Fig. 27 - Pilot

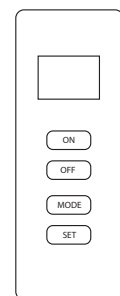


Fig. 28 - Remote

- ⚠ **WARNING:** The fireplace screen must be in place while the appliance is in operation.
- ⚠ **WARNING:** Any glass doors shall be completely opened while appliance is in operation.

TO TURN OFF GAS TO APPLIANCE

1. Set thermostat to the lowest setting.
2. Press the OFF button on the remote control.
3. Push in slightly and turn control knob clockwise ↻ to the "OFF" position.

REMOTE CONTROL OPERATION

MULTI-FUNCTION WIRELESS REMOTE CONTROL SYSTEM FOR OPERATING A LATCHING SOLENOID VALVE, MANUALLY OR WITH A THERMOSTAT FUNCTION

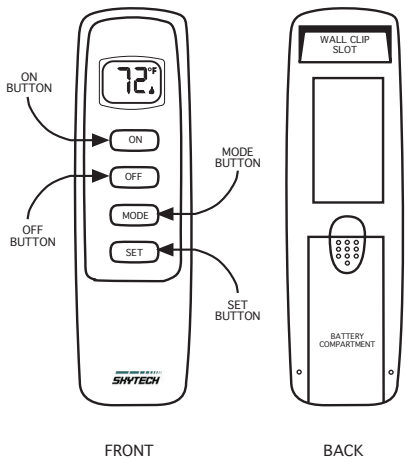
**IF YOU CANNOT READ OR UNDERSTAND THESE INSTALLATION INSTRUCTIONS DO NOT
ATTEMPT TO INSTALL OR OPERATE**

INTRODUCTION

This remote control system was developed to provide a safe, reliable, and user-friendly remote control system for gas heating appliances. The system is operated manually from the transmitter. The system operates on radio frequencies (RF) within a 20-foot range using non-directional signals. The system operates on one of 1,048,576 security codes that are programmed into the transmitter at the factory; the remote receiver's code must be matched to that of the transmitter prior to initial use.

Review COMMUNICATION SAFETY under GENERAL INFORMATION section. This safety feature shuts down the appliance when a potentially unsafe condition exists.

TRANSMITTER



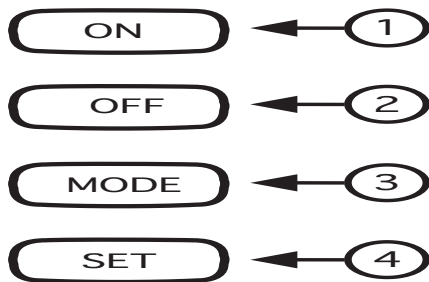
This remote control SYSTEM offers the user a battery-operated remote control to power a latching solenoid such as those used with gas valves used in some heater rated gas logs, gas fireplaces and other gas heating appliances.

The solenoid circuit uses the battery power from the receiver to operate a solenoid. The circuit has reversing polarity software which reverses the positive (+) and negative (-) output of the receiver's battery power to drive a latching solenoid ON/OFF. The SYSTEM is controlled by the remote transmitter.

The transmitter operates on a (2) 1.5V AAA batteries.

ALKALINE batteries should always be used for longer battery life and maximum operational performance. Re-chargeable batteries should not be used.

Before using the transmitter, install the (2) AAA transmitter batteries into the battery compartment. (Use caution that batteries are installed in the proper direction)

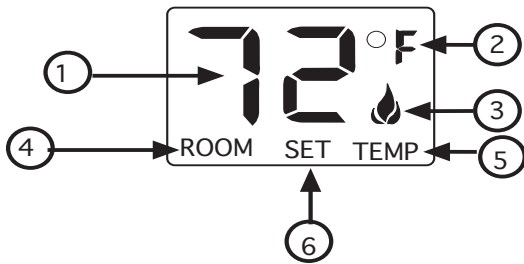


KEY SETTINGS

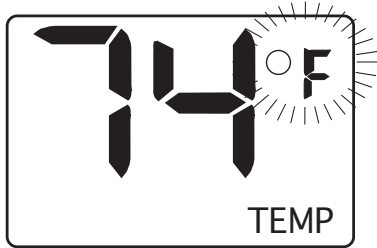
- ON - Operates unit to on position, Manually operated solenoid ON.
- OFF - Operates unit to off position, Manually operated solenoid OFF.
- MODE - Changes unit from manual mode to thermo mode.
- SET - Sets temperature in thermo mode.

REMOTE CONTROL OPERATION

LCD - Liquid Crystal Display



1. **DISPLAY** Indicates CURRENT room temperature .
2. **° F OR ° C** Indicates degrees Fahrenheit or Celsius.
3. **FLAME** Indicates burner/valve in operation.
4. **ROOM** Indicates remote is in THERMO operation.
5. **TEMP** Appears during manual operation.
6. **SET** Appears during time the of setting the desired temperature in the thermo operation.



SETTING ° F / ° C SCALE

The factory setting for temperature is ° F. To change this setting to ° C, first

- Press the ON key and the OFF key on the transmitter at the same time this will change from ° F to ° C. Follow this same procedure to change from ° C back to ° F.

MANUAL FUNCTION

To operate the system in the manual "MODE" do the following.

ON OPERATION

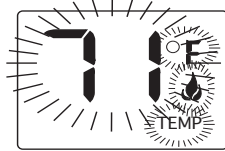
Press the ON key the appliance flame will come on. During this time the LCD screen will show ON, after 3 seconds the LCD screen will default to display room temperature and the word TEMP will show. **(Flame icon wil appear on LCD screen in manual on mode)**

OFF OPERATION

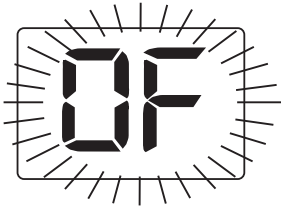
Press the OFF key the appliance flame will shut off. During this time the LCD screen will show OF, after 3 seconds the LCD screen will default to display room temperature and the word TEMP will show.



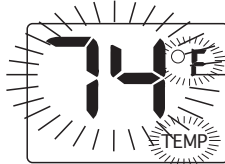
SCREEN WHILE DEPRESSING ON KEY



SCREEN AFTER 3 SECOND DEFAULT



SCREEN WHILE DEPRESSING OFF KEY



SCREEN AFTER 3 SECOND DEFAULT

THERMOSTAT FUNCTION

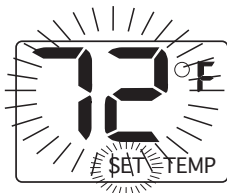
SETTING DESIRED ROOM TEMPERATURE

When used as a vented decorative appliance, use of the thermostat function is prohibited, operate manually only.

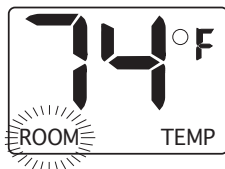
This remote control system can be thermostatically controlled when the transmitter is in the THERMO mode (The word **ROOM** must be displayed on the screen). To set the THERMO MODE and DESIRED room temperature,

Press the MODE key until the LCD screen shows the word ROOM, then the remote is in the thermostatic mode.

Press and hold the SET key until the desired set temperature is reached. (By pressing and holding the set key the LCD screen set numbers will increase from 45° to 99° then restart over at 45°) Next



THERMO SET



THERMO MODE

REMOTE CONTROL OPERATION

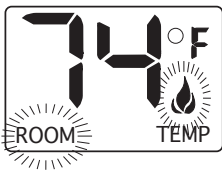
release the **SET** key. The LCD screen will display the set temperature for 3 seconds and the LCD screen will flash the set temperature for 3 seconds, then the LCD screen will default to display the room temperature.

TO CHANGE THE SET TEMPERATURE

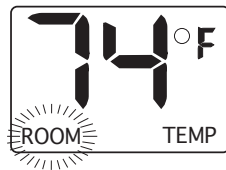
Press and hold the **SET** key until the desired set temperature is reached. (By pressing and holding the set key the LCD screen set numbers will increase from 45° to 99° then restart over at 45°) Next release the **SET** key. The LCD screen will display the set temperature for 3 seconds, then will flash the set temperature for 3 seconds, then the LCD screen will default to display the room temperature.

Press the **MODE** key to disengage the thermo mode. The word ROOM on the LCD screen will not show when the thermo is not in operation.

NOTE: The highest SET temperature is 99° Fahrenheit (32° Celsius) and the lowest temperature is 45° Fahrenheit (6° Celsius)



THERMO ON



THERMO OFF

OPERATIONAL NOTES:

The Thermo Feature on the transmitter operates the appliance whenever the ROOM TEMPERATURE varies a certain number of degrees from the SET TEMPERATURE. This variation is called the "SWING" or TEMPERATURE DIFFERENTIAL. The normal operating cycle of an appliance may be 2-4 times per hour depending on how well the room or home is insulated from the cold or drafts. The factory setting for the "swing number" is 2. This represents a temperature variation of +/- 2° F (1° C) between SET temperature and ROOM temperature, which determines when the fireplace will be activated.

The transmitter has ON and OFF manual functions that are activated by pressing either button on the face of the transmitter. When a button on the transmitter is pressed the word ON or OF will appear on the LCD screen to show while the signal is being sent. Upon initial use, there may be a delay of three seconds before the remote receiver will respond to the transmitter. This is part of the system's design.

POWER SETTING – CON 1001 TH

The electronics in the remote control system have the capability of "powering" two different types of DC-powered components. If any operational problems are noted, contact Customer Service.

The RECEIVER comes from the factory programmed to provide pulse DC voltage (5.5 VDC to 6.3 VDC) to a latching solenoid.

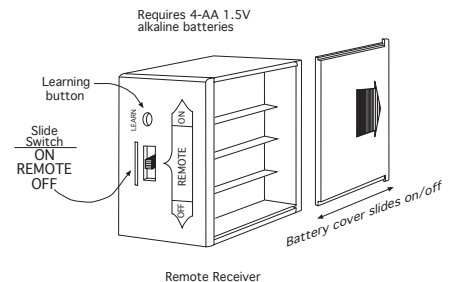
REMOTE RECEIVER

IMPORTANT

THE REMOTE RECEIVER SHOULD BE POSITIONED WHERE AMBIENT TEMPERATURES DO NOT EXCEED 130° F.

The remote receiver (right) operates on (4) 1.5V AA-size batteries. It is recommended that ALKALINE batteries be used for longer battery life and maximum microprocessor performance. **IMPORTANT:** New or fully charged batteries are essential to proper operation of the remote receiver as a latching solenoid power consumption is substantially higher than standard remote control systems. Rechargeable batteries should not be used.

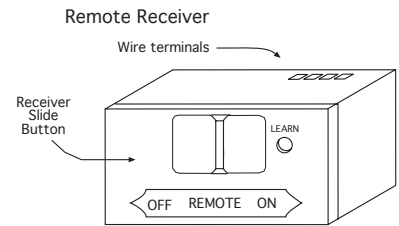
NOTE: The remote receiver will only respond to the transmitter when the 3-position slide button on the remote receiver is in the REMOTE position. The remote receiver houses the microprocessor that responds to commands from the transmitter to control system operation.



REMOTE CONTROL OPERATION

FUNCTIONS:

- With the slide switch in the REMOTE position, the system will only operate if the remote receiver receives commands from the transmitter.
- Upon initial use or after an extended period of no use, the ON button may have to be pressed for up to three seconds before activating servo motor. If the system does not respond to the transmitter on initial use, see LEARNING TRANSMITTER TO RECEIVER.
- With the slide switch in the ON position you can manually turn ON the system.
- With the slide in the OFF position, the system is OFF.
- It is suggested that the slide switch be placed in the OFF position if you will be away from your home for an extended period of time.
- Placing the slide switch in the OFF position also functions as a safety "lock out" by both turning the system OFF and rendering the transmitter inoperative.



INSTALLATION INSTRUCTIONS

WARNING

DO NOT CONNECT REMOTE RECEIVER DIRECTLY TO 110-120VAC POWER. THIS WILL BURN OUT THE RECEIVER. FOLLOW INSTRUCTIONS FROM MANUFACTURER OF GAS VALVE FOR CORRECT WIRING PROCEDURES. IMPROPER INSTALLATION OF ELECTRIC COMPONENTS CAN CAUSE DAMAGE TO GAS VALVE AND REMOTE RECEIVER.

INSTALLATION

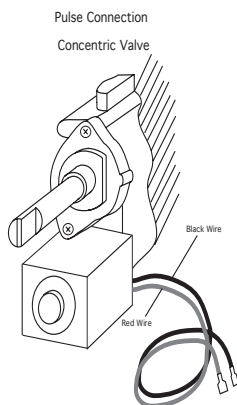
The remote receiver can be mounted on or near the fireplace hearth. PROTECTION FROM EXTREME HEAT IS VERY IMPORTANT. Like any piece of electronic equipment, the remote receiver should be kept away from temperatures exceeding 130° F inside the receiver case. Battery life is also significantly shortened if batteries are exposed to high temperatures.

HEARTH MOUNT

The remote receiver can be placed on the fireplace hearth or under the fireplace, behind the control access panel. Position where the ambient temperature inside the receiver case does not exceed 130° F. **NOTE:** Black Button is used on Hearth Mount Applications.

WIRING INSTRUCTIONS

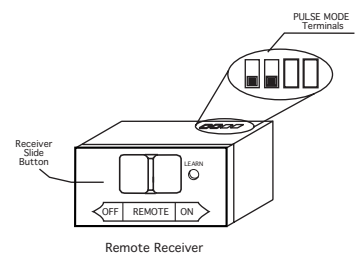
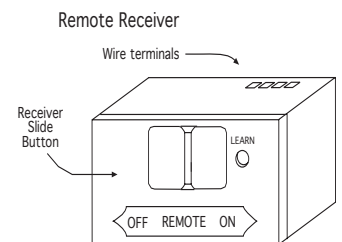
Make sure the remote receiver switch is in the OFF position. For best results it is recommended that 18 gauge stranded wires should be used to make connections and no longer than 20-feet.



This CON1001 TH remote receiver is to be connected to a manual valve with a latching ON/OFF solenoid.

Connect two 18 gauge stranded or solid wires from the remote receiver terminals to the latching solenoid. (See figure to the right)

IMPORTANT NOTE: Operation of this control is dependent on which wire is attached to which terminal. If operation of control does not correspond to operating buttons on transmitter, reverse wire installation at the receiver or at the control.



REMOTE CONTROL OPERATION

NOTE: Up to 6.3 VDC of power is provided at the receiver terminal.

GENERAL INFORMATION

COMMUNICATION – SAFETY – TRANSMITTER – (C/S – TX)

This remote control has a COMMUNICATION –SAFETY function built into its software. It provides an extra margin of safety when the TRANSMITTER is out of the normal 20-foot operating range of the receiver.

The COMMUNICATION – SAFETY feature operates in the following manner, in all OPERATING MODES – ON/ ON THERMO.

At all times and in all OPERATING MODES, the transmitter sends an RF signal every fifteen (15) minutes, to the receiver, indicating that the transmitter is within the normal operating range of 20-feet. Should the receiver NOT receive a transmitter signal every 15 minutes, the IC software, in the RECEIVER, will begin a 2-HOUR (120-minute) countdown timing function. If during this 2-hour period, the receiver does not receive a signal from the transmitter, the receiver will shut down the appliance being controlled by the receiver. The RECEIVER will then emit a series of rapid “beeps” for a period of 10 seconds. Then after 10 seconds of rapid beeping, the RECEIVER will continue to emit a single “beep” every 4 seconds until a transmitter ON or MODE Button is pressed to reset the receiver. The intermittent 4-second beeping will go on for as long as the receiver’s batteries last which could be in excess of one year.

To “reset” the RECEIVER and operate the appliance, you must press the ON or MODE button on the transmitter. By turning the system to ON, the COMMUNICATION –SAFETY operation is overridden and the system will return to normal operation depending on the MODE selected at the transmitter. The COMMUNICATION – SAFETY feature will reactivate should the transmitter be taken out of the normal operating range or should the transmitter’s batteries fail or be removed.

CP (CHILDPROOF) FEATURE

This remote control includes a CHILDPROOF “LOCK-OUT” feature that allows the user to “LOCK-OUT” operation of the appliance, from the TRANSMITTER.

SETTING “LOCK-OUT” –(CP)

- To activate the “LOCK-OUT” feature, press and hold the ON button and the MODE button at the same time for 5 seconds. The letters CP will appear in the TEMP frame on the LCD screen.
- To disengage the “LOCK-OUT”, press and hold the ON button and the MODE button at the same time for 5 seconds and the letters CP will disappear from the LCD screen and the transmitter will return to its normal operating condition.
- To verify that transmitter is in the CP lock-out mode press any key and the LCD screen will show “CP”

NOTE: If the appliance is already operating in the ON or THERMO MODES, engaging the “LOCK-OUT” will not cancel the operating MODE. Engaging the “LOCK-OUT” prevents only the manual operation of the TRANSMITTER. If in the auto modes, the THERMO operation will continue to operate normally. To totally “LOCK-OUT” the operation of the TRANSMITTER’S operating signals; the transmitter’s MODE must be set to OFF.

LEARNING TRANSMITTER TO RECEIVER

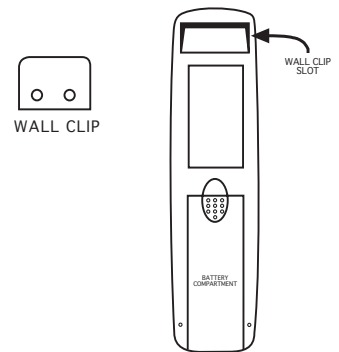
Each transmitter uses a unique security code. It will be necessary to press the LEARN button on the receiver to accept the transmitter security code upon initial use, if batteries are replaced, or if a replacement transmitter is purchased from your dealer or the factory. In order for the receiver to accept the transmitter security code, be sure the slide button on the receiver is in the REMOTE position; the receiver will **not** LEARN if the slide switch is in the ON or OFF position. The LEARN button is located on the front face of the receiver; inside the small hole labeled LEARN. Using a small screwdriver or end of a paperclip gently press and release the black LEARN button inside the hole. When you release the LEARN button the receiver will emit an audible “beep”. After the receiver emits the beep press the transmitter ANY button and release. The receiver will emit several beeps indicating that the transmitter’s code has been accepted into the receiver.

The microprocessor that controls the security code matching procedure is controlled by a timing function. If you are unsuccessful in matching the security code on the first attempt, wait 1 - 2 minutes before trying again--this delay allows the microprocessor to reset its timer circuitry--and try up to two or three more times.

REMOTE CONTROL OPERATION

TRANSMITTER WALL CLIP

The transmitter can be hung on a wall using the clip provided. If the clip is installed on a solid wood wall, drill 1/8" pilot holes and install with the screws provided. If it is installed on a plaster/wallboard wall, first drill two 1/4" holes into the wall. Then use a hammer to tap in the two plastic wall anchors flush with the wall; then install the screws provided.



BATTERY LIFE

Replace all batteries regularly. When the transmitter no longer operates the remote receiver from a distance it did previously (i.e., the transmitter's range has decreased) or the remote receiver does not function at all, the batteries should be checked. It is important that the remote receiver batteries are fully charged, providing combined output voltage of at least 5.5volts. The hand held transmitter should operate with as little as 2.5 volts battery power.

TROUBLE SHOOTING

If you encounter problems with your fireplace system, the problem may be the fireplace itself or it could be with the CON1001-TH remote system. Review the fireplace manufacturer's operation manual to make sure all connections are properly made. Then check the operation of the remote in the following manner:

- Make sure the batteries are correctly installed in the RECEIVER. One reversed battery will keep receiver from operating properly.
- Check battery in TRANSMITTER to ensure contacts are touching (+) and (-) ends of battery. Bend metal contacts in for tighter fit.
- Be sure RECEIVER and TRANSMITTER is within 20-foot operating range.
- Clear Codes: Memory in the receiver might be full if the learn button is pressed too many times. If this happens it will not allow any more codes to be learned and no audible beep will be heard. To clear memory, place the receiver slide switch into the REMOTE position. Press the learn button and release after 10 seconds. You should hear three (3) long audible beeps indicating all codes have cleared. You can now "learn" the transmitter to the receiver as described in the General Information Section.
- Keep RECEIVER from temperatures exceeding 130° F. Battery life shortened when ambient temperatures are above 115° F.
- If RECEIVER is installed in tightly enclosed metal surround, the operating distance will be shortened.
- Rechargeable batteries should not be used. They do not supply sufficient power to operate the remote system.

SPECIFICATIONS

BATTERIES: Transmitter (2) 1.5 volt AAA batteries
Remote Receiver 6V - 4 ea. AA 1.5 Alkaline

Operating Frequency: 303.8 MHZ

FCC ID No.'s: transmitter - K9LSP1001TH; receiver - K9L330IRX
Canadian IC ID No.'s: transmitter - 2439A-SP1001TH; receiver - 2439A-3301RX

FCC REQUIREMENTS

NOTE: THE MANUFACTURER IS NOT RESPONSIBLE FOR ANY RADIO OR TV INTERFERENCE CAUSED BY UNAUTHORIZED MODIFICATIONS TO THIS EQUIPMENT. SUCH MODIFICATIONS COULD VOID THE USER'S AUTHORITY TO OPERATE THE EQUIPMENT.

OPERATION

INSPECTING BURNERS

Check pilot flame pattern and burner flame patterns often.

PILOT FLAME PATTERN

Figure 29 shows a correct pilot flame pattern. Figure 30 shows an incorrect pilot flame pattern. The incorrect pilot flame is not touching the thermocouple. This will cause the thermocouple to cool. When the thermocouple cools, the heater will shut down.

If pilot flame pattern is incorrect, as shown in Figure 30.

- turn heater off (see To Turn Off Gas to Appliance, page 24).
- see Troubleshooting, page 34.

Fig. 29 - Correct Pilot Flame Pattern

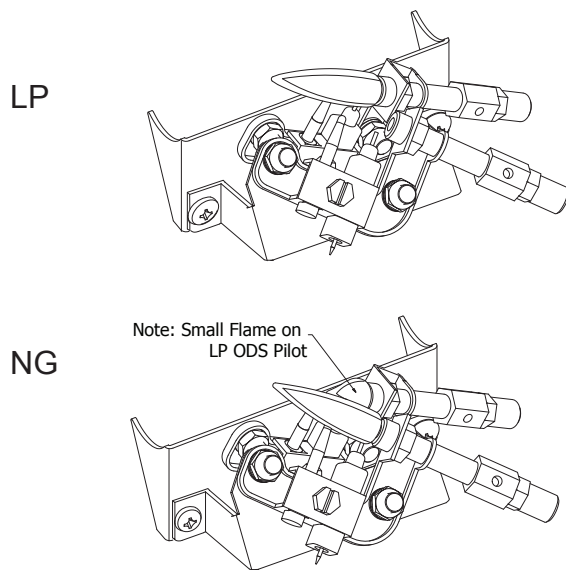
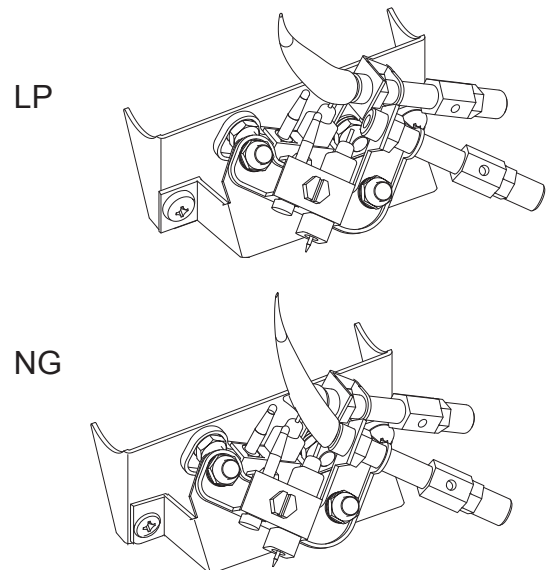


Fig. 30 - Incorrect Pilot Flame Pattern



⚠ WARNING: Do not allow fans to blow directly into the heater. Avoid any drafts that alter burner flame patterns.

⚠ WARNING: Do not use a blower insert, heat exchanger insert or other accessory not approved for use with this heater.

CARE AND MAINTENANCE

BURNER FLAME PATTERN

Figure 31 shows a correct burner flame pattern. Figure 32 shows an incorrect burner flame pattern. The incorrect burner flame pattern shows sporadic, irregular flame tipping. The flame should not be dark or have an orange/reddish tinge.

Note: When using the heater the first time, the flame will be orange for approximately one hour until the log cures.

If burner flame pattern is incorrect, as shown in Figure 32

- turn heater off (see To Turn Off Gas to Appliance, page 24).
- see Troubleshooting, page 34.

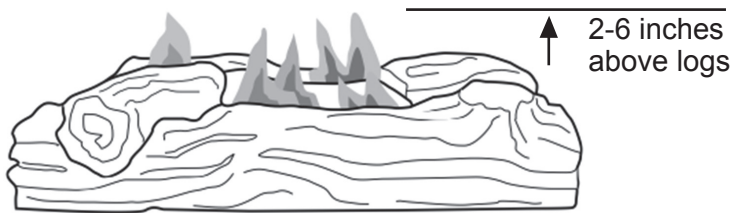


Fig. 31 - Correct/Normal Flame Pattern with short flames

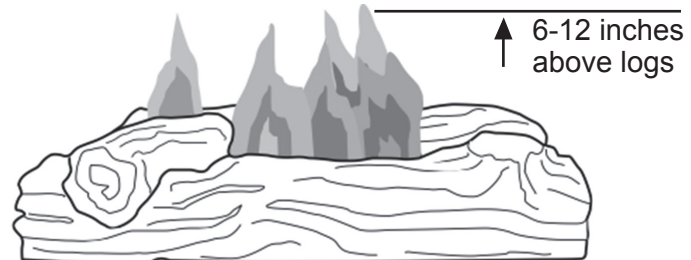


Fig. 32 - Incorrect/Abnormal Flame Pattern with tall flames

⚠ WARNING: Turn off heater and let cool before servicing.

⚠ CAUTION: You must keep control areas, burner, and circulating air passageways of heater clean. Inspect these areas of heater before each use. Have heater inspected yearly by a qualified service person. Heater may need more frequent cleaning due to excessive lint from carpeting, bedding material, pet hair, etc.

⚠ WARNING: Failure to keep the primary air opening(s) of the burner(s) clean may result in sooting and property damage.

BURNER ORIFICE HOLDER AND PILOT AIR INLET HOLE

The primary air inlet holes allow the proper amount of air to mix with the gas. This provides a clean burning flame. Keep these holes clear of dust, dirt, lint and pet hair. Clean these air inlet holes prior to each heating season. Blocked air holes will create soot. We recommend that you clean the unit every three months during operation and have heater inspected yearly by a qualified service person.

We also recommend that you keep the burner tube and pilot assembly clean and free of dust and dirt. To clean these parts we recommend using compressed air no greater than 30 PSI. Your local computer store, hardware store or home center may carry compressed air in a can. If using compressed air in a can, please follow the directions on the can. If you don't follow directions on the can, you could damage the pilot assembly.

FOR VENTED APPLICATIONS

Periodic examination and cleaning of the venting system and the solid fuel-burning fireplace, including frequency of such examination and cleaning, must be done by a qualified agency.

CARE AND MAINTENANCE

1. Shut off unit including pilot. Allow unit to cool for at least 30 minutes.
2. Inspect burner, pilot and primary air inlet holes on orifice holder for dust and dirt (See Fig. 33).
3. Blow air through the ports/slots and holes in the burner.
4. Check the orifice holder located at the end of the burner tube again. Remove any large particles of dust, dirt, lint or pet hair with a soft cloth or vacuum cleaner nozzle.
5. Blow air into the primary air holes on the orifice holder.
6. In case any large clumps of dust have now been pushed into the burner repeat steps 3 and 4. Clean the pilot assembly also. A yellow tip on the pilot flame indicates dust and dirt in the pilot assembly. There is a small pilot air inlet hole about 2" from where the pilot flame comes out of the pilot assembly (see Figures 34 or 35 depending on model). With the unit off, lightly blow air through the air inlet hole. You may blow through a drinking straw if compressed air is not available.

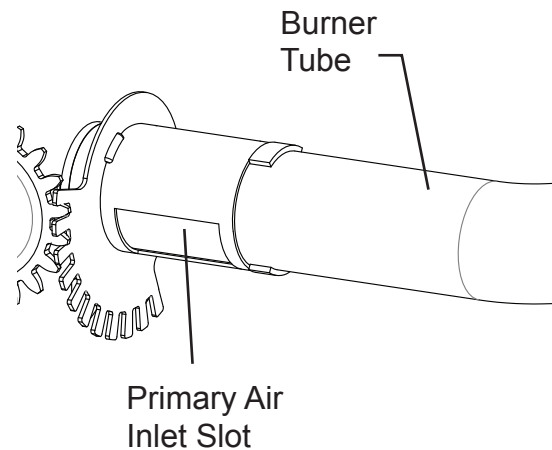


Fig. 33 - Primary Air Inlet Slot on Burner Tube

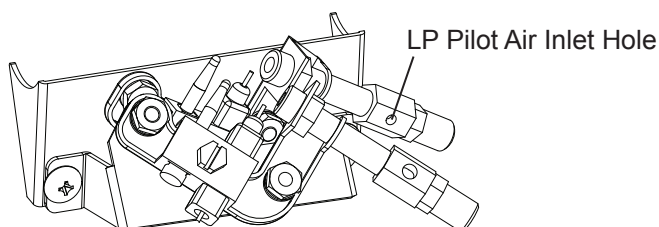


Fig. 34 - Pilot Inlet Air Hole (Propane/LP Gas)

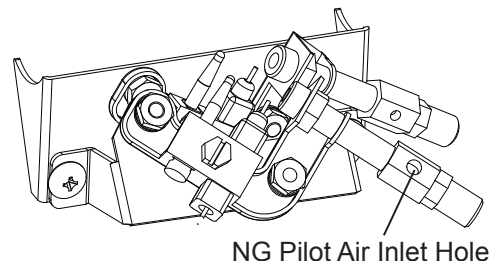


Fig. 35 - Pilot Inlet Air Hole (Natural Gas)

LOG SET

- If you remove the log set for cleaning, refer to page 21, for placement instructions.
- Replace log set if broken or chipped (dime sized or larger).

CABINET

Air Passageways

Use a vacuum cleaner or pressurized air to clean.

Exterior

Use a soft cloth dampened with a mild soap and water mixture. Wipe the cabinet to remove dust.

TROUBLESHOOTING

⚠ WARNING: If you smell gas:

- Shut off gas supply.
- Do not try to light any appliance.
- Do not touch any electrical switch; do not use any phone in your building.
- Immediately call your gas supplier from a neighbor's phone. Follow the gas supplier's instructions.
- If you cannot reach your gas supplier, call the fire department.

IMPORTANT: Operating heater where impurities in air exist may create odors. Cleaning supplies, paint, paint remover, cigarette smoke, cements and glues, new carpet or textiles, etc., create fumes. These fumes may mix with combustion air and create odors.

⚠ WARNING: Make sure that power is turned off before proceeding.

⚠ WARNING: Turn off and let cool before servicing. Only a qualified service person should service and repair heater.

⚠ CAUTION: Never use a wire, needle, or similar object to clean ODS/pilot. This can damage ODS/ pilot unit.

SERVICE HINTS

When Gas Pressure Is Too Low

- pilot will not stay lit
- burners will have delayed ignition
- heater will not produce specified heat
- for propane/LP units, propane/LP gas supply may be low

You may feel your gas pressure is too low. If so, contact your local natural or propane/LP gas supplier.

PROBLEM	POSSIBLE CAUSE	CORRECTIVE ACTION
There is a sputtering sound coming from the Liquid Propane pilot that is a nuisance. When operating on Natural Gas (NG) and the NG pilot is lit.	1. Use of Natural Gas.	1. Call Customer Service.
When ignitor button is pressed in, there is no spark at ODS/ pilot.	1. Ignitor electrode is positioned wrong. 2. Ignitor electrode is broken. 3. Ignitor electrode is not connected to ignitor cable. 4. Ignitor cable is pinched or wet. 5. Damaged ignitor cable. 6. Bad piezo ignitor. 7. Bad Battery.	1. Replace electrode. 2. Replace electrode. 3. Replace ignitor cable 4. Free ignitor cable if pinched by any metal or tubing. Keep ignitor cable dry. 5. Replace ignitor cable. 6. Replace piezo ignitor. 7. Check Battery and replace if needed.
When ignitor button is pressed in, there is a spark at ODS/ pilot but no ignition.	1. Gas supply is turned off or equipment shutoff valve is closed. 2. Control knob not fully pressed in while pressing ignitor button. 3. Air in gas lines when installed. 4. ODS / pilot is clogged. 5. Gas regulator setting is not correct. 6. Control knob not in PILOT position. 7. Depleted gas supply (propane).	1. Turn on gas supply or open equipment shutoff valve. 2. Fully press in control knob while pressing ignitor button. 3. Continue holding down control knob. Repeat igniting operation until air is removed. 4. Clean ODS/pilot (see Care and Maintenance, page 25 & 26) or replace ODS/pilot assembly. 5. Replace gas regulator. 6. Turn control knob to PILOT position. 7. Contact local propane/LP gas company.

TROUBLESHOOTING

PROBLEM	POSSIBLE CAUSE	CORRECTIVE ACTION
ODS/pilot lights but flame goes out when control knob is released.	<ol style="list-style-type: none"> Control knob is not fully pressed in. Control knob is not pressed in long enough. Equipment shutoff valve is not fully open. Thermocouple connection is loose. Thermocouple damaged. Control valve damaged. Wrong gas setting. Gas inlet pressure is too high. 	<ol style="list-style-type: none"> Press in control knob fully. After ODS/pilot lights, keep control knob pressed in 30 seconds. Fully open equipment shutoff valve. Hand tighten until snug, and then tighten $\frac{1}{4}$ turn more. Replace thermocouple. Contact customer service. Correct gas selection. Adjust pressure switch (See page 37 for instructions).
Burner(s) does not light after ODS/pilot is lit.	<ol style="list-style-type: none"> Burner orifice is clogged. Burner orifice diameter is too small. Inlet gas pressure is too low. 	<ol style="list-style-type: none"> Clean burner orifice (see Care and Maintenance, page 25 & 26) or contact customer service. Contact customer service. Contact your gas supplier.
Burner(s) does not light after ODS/pilot is lit. (Heater is set up for NG.)	<ol style="list-style-type: none"> Inlet gas pressure is too high. 	<ol style="list-style-type: none"> Contact your gas supplier.
Delayed ignition of burner(s).	<ol style="list-style-type: none"> Manifold pressure is too low. Burner orifice is clogged. 	<ol style="list-style-type: none"> Contact your gas supplier. Clean burner (see Care and Maintenance, page 25 & 26) or contact customer service.
Burner backfiring during combustion.	<ol style="list-style-type: none"> Burner orifice is clogged or damaged. Burner is damaged. Gas regulator is damaged. 	<ol style="list-style-type: none"> Clean burner orifice (see Care and Maintenance, page 25 & 26) or contact customer service. Contact dealer or customer service. Replace gas regulator.
High yellow flame during burner combustion	<ol style="list-style-type: none"> Not enough air. Gas regulator is defective. Inlet gas pressure is too low. 	<ol style="list-style-type: none"> Check burner for dirt and debris. If found, clean burner (see Care and Maintenance, page 25 & 26). Replace gas regulator. Contact your gas supplier.
Gas odor during combustion.	<ol style="list-style-type: none"> Foreign matter between control valve and burner. Gas leak. (See Warning Statement at top of page 27). 	<ol style="list-style-type: none"> Take apart gas tubing and remove foreign matter. Locate and correct all leaks (see "Checking Gas Connections," page 19).
Heater produces a clicking/ticking noise just after burner is lit or shut off.	<ol style="list-style-type: none"> Metal is expanding while heating or contracting while cooling. 	<ol style="list-style-type: none"> This is common with most heaters. If noise is excessive, contact qualified service technician.

TROUBLESHOOTING

PROBLEM	POSSIBLE CAUSE	CORRECTIVE ACTION
White powder residue forming within burner box or on adjacent walls or furniture.	1. When heated, the vapors from furniture polish, wax, carpet cleaners, etc., turn into white powder residue.	1. Turn heater off when using furniture polish, wax, carpet cleaner or similar products.
Heater produces unwanted odors.	1. Heater is burning vapors from paint, hair spray, glues, etc. See IMPORTANT statement, page 27. 2. Gas leak. See Warning Statement, page 27. 3. Low fuel supply.	1. Ventilate room. Stop using odor causing products while heater is running. 2. Locate and correct all leaks (see "Checking Gas Connections," page 19). 3. Refill supply tank (Propane /LP models).
Heater shuts off in use (ODS operates).	1. Not enough fresh air is available. 2. Low line pressure. 3. ODS/pilot is partially clogged. 4. Gas inlet pressure is too high.	1. Open window and/or door for ventilation. 2. Contact local gas supplier. 3. Clean ODS/pilot (see Care and Maintenance, page 25 & 26). 4. Adjust pressure switch (See page 37 for instructions).
Gas odor exists even when control knob is in OFF position.	1. Gas leak. See Warning Statement at top of page 27. 2. Control valve is defective.	1. Locate and correct all leaks (see "Checking Gas Connections", page 19). 2. Contact customer service.
Moisture/condensation noticed on windows.	1. Not enough combustion/ventilation air.	1. Refer to "Air for Combustion and Ventilation" requirements, page 9.
Slight smoke or odor during initial operation	1. Residues from manufacturing process.	1. Problem will stop after a few hours of operation.
Heater produces a whistling noise when burner is lit.	1. Turning control knob to high (5) position when burner is cold. 2. Air in gas line. 3. Air passageways on heater are blocked. 4. Dirty or partially clogged burner orifice.	1. Turn control knob to low (1) position and let warm up for a minute. 2. Operate burner until air is removed from line. Have gas line checked by local propane/LP gas company. 3. Observe minimum installation clearances (Fig. 5,6,7,8 page 13-14). 4. Clean burner (see Care and Maintenance, page 25 & 26) or contact customer service.

TROUBLESHOOTING - PRESSURE SWITCH SET POINT ADJUSTMENT:

QUALIFIED INSTALLING AGENCY

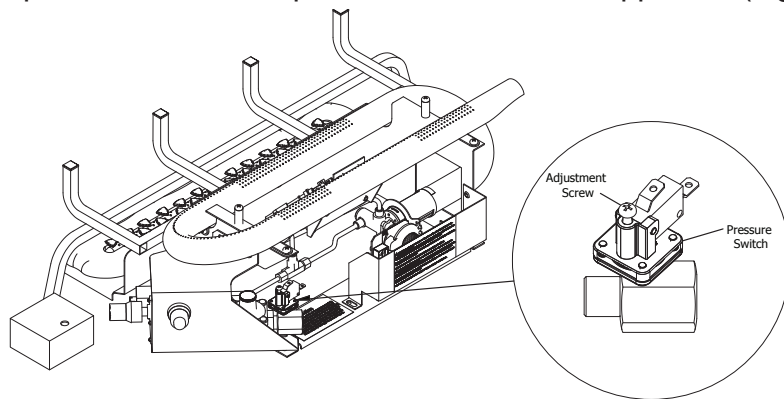
Only a qualified agency should perform installation and replacement of gas piping, gas utilization equipment or accessories, and repair and servicing of equipment. The term “qualified agency” means any individual, firm, corporation, or company that either in person or through a representative is engaged in and is responsible for:

- a) Installing, testing, or replacing gas piping or
- b) Connecting, installing, testing, repairing, or servicing equipment; that is experienced in such work; that is familiar with all precautions required; and that has complied with all the requirements of the authority having jurisdiction.

PRESSURE SWITCH SET POINT ADJUSTMENT:

1. Make sure the knob on the Control Valve is in the OFF position, and the switch on the remote receiver (if equipped) is also in the OFF position! Locate the pressure switch on the appliance (Fig 36).

Fig. 36



2. Turn OFF the gas at the “Equipment Shut Of Valve”.
3. Turn the Control Valve Knob to the “Pilot” position and Depress the knob for 5 seconds. Return the Control Valve Knob to the “OFF” position. (This step depressurizes the appliance’s internal gas line.)
4. With a Philip's head screw driver turn the adjustment screw on the Pressure Switch clockwise 2 full revolutions (Fig. 36).
5. Turn ON the gas at the “Equipment Shut Of Valve”
6. Light the unit as instructed in the Owner’s Manual or Hang Tags located on the back of the unit and determine if this fixes the pilot outage problem. If the problem persists, turn the Control Valve Knob to the OFF position and repeat Steps 1 through 4 turning the pressure switch adjustment screw one revolution at a time until the appliance functions normally.
7. When the Pressure Switch set point is adjusted the appliance may not work properly if the unit is ever reinstalled on LP (Propane fuel). The “CAUTION” sticker (Fig. 37) is supplied in the hardware kit. You must install the “CAUTION” sticker on the appliance (Fig. 38).

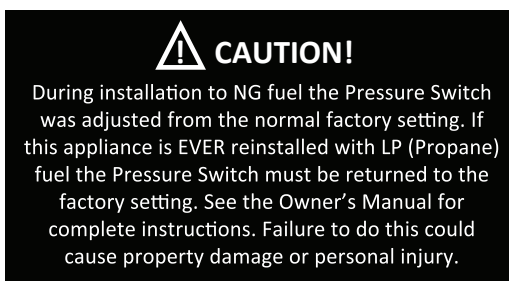


Fig. 37 – Caution Sticker

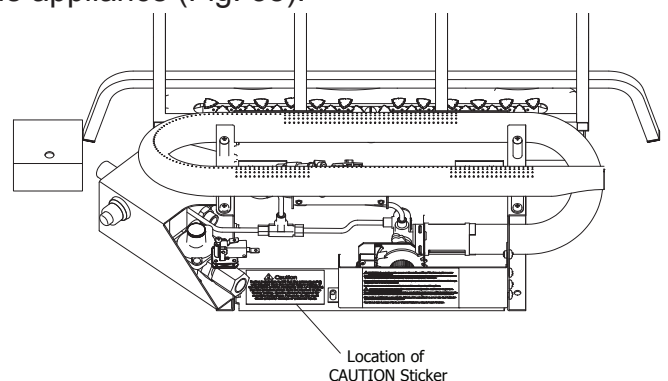
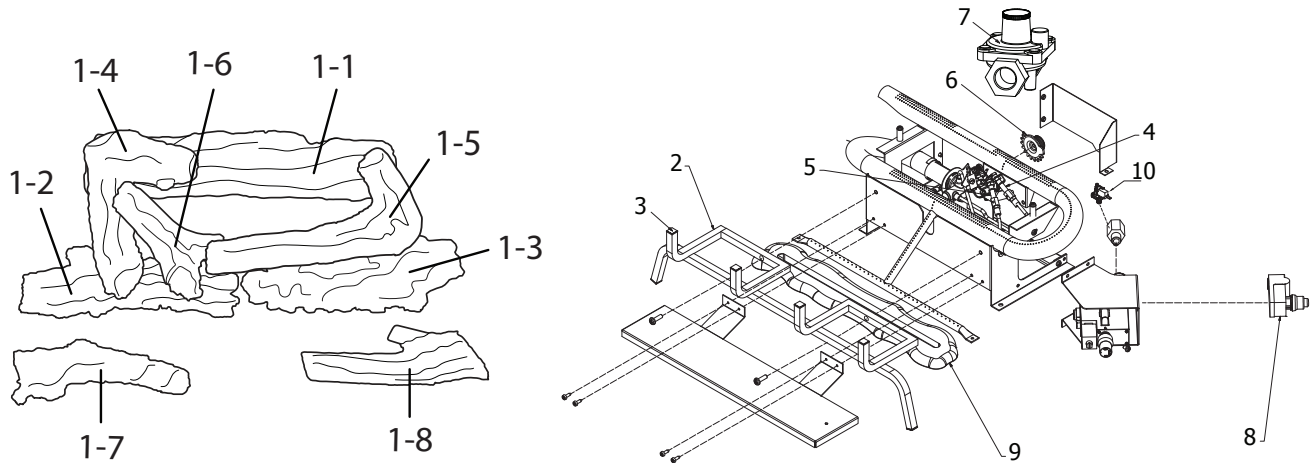


Fig. 38 - Location of Caution Sticker (Back of Unit View)

8. **NOTE:** If this appliance is ever reinstalled using Propane (LP) fuel the pressure switch adjustment screw should be backed out completely, then reinstalled turning the screw in three full revolutions.

REPLACEMENT PARTS LIST

For replacement parts, call our Technical Service Department at 1-877-447-4768, 8:30 a.m. – 4:30 p.m., CST, Monday – Friday.



ITEM NO.	DESCRIPTION	QTY	PART NO.	
			VFL-VO24DR VFL-RO24DR	VFL-VO30DR VFL-RO30DR
1	Log Set (complete)	1		
1 - 1	Log 1	1	4UB2A	4UB3A
1 - 2	Log 2	1	H-010A	H-003A
1 - 3	Log 3	1	H-010B	H-003B
1 - 4	Log 4	1	H-0075	H-0075
1 - 5	Log 5	1	H-0139	H-0139
1 - 6	Log 6	1	H-0812	H-0812
1 - 7	Log 7	1	H-0370	H-0370
1 - 8	Log 8	1	H-0356	H-0356
2	Grate	1	800-EB2410	800-EB3010
3	Grate End Cap	1	EXP-4509	EXP-4509
4	ODS Pilot - LP	1	80857863	80857863
5	ODS Pilot - NG	1	80857872	80857872
6	Selector Knob	1	EXP-4022B	EXP-4022B
7	Regulator	1	EXP-7010	EXP-7010
8	Ignitor Module	1	EXP-4044	EXP-4044
9	Ember Bed	1	EXP-4519	EXP-4519
10	Adjustable Pressure Switch - 10"	1	80-05-107	80-05-107
11	Remote Receiver	1	80-05-102*	80-05-102*
12	Thermostat Remote	1	80-05-101*	80-05-101*

*Item/version not shown in exploded parts diagram

ACCESSORIES

NOTICE: All accessories may not be available for all models.

Glowing Ember Fibers - GEF100 For all models. Material to simulate glowing embers when the unit is in operation. Creates a realistic glowing effect just like a real fire.

Warranty

LIMITED WARRANTY:

This limited warranty is extended to the original retail purchaser of this heater and warrants against any defect in materials and workmanship for a period of two (2) years from the date of retail sale. GHP Group, Inc., at its option, will either provide replacement parts or replace or repair the unit, when properly returned to the retailer where purchased or one of our service centers as directed by GHP Group, Inc., within two (2) years of retail purchase. (Shipping costs, labor costs, etc. are the responsibility of the purchaser.)

DUTIES OF THE OWNER:

This heating appliance must be operated in accordance with the written instructions furnished with this heater. This warranty shall not excuse the owner from properly maintaining this heater in accordance with the written instructions furnished with this heater. A bill of sale, canceled check or payment record must be kept to verify purchase date and establish warranty period. Original carton should be kept in case of warranty return of unit.

WHAT IS NOT COVERED:

1. Damage resulting from use of improper fuel.
2. Damage caused by misuse or use contrary to the owners manual and safety guidelines.
3. Damage caused by a lack of normal maintenance.
4. Use of non-standard parts or accessories.
5. Damage caused in transit. Freight charges on warranty parts or heaters to and from the factory shall be the responsibility of the owner.

This warranty does not imply or assume any responsibility for consequential damages that may result from the use, misuse, or the lack of routine maintenance of this heating appliance. A cleaning fee and the cost of parts may be charged for appliance failures resulting from lack of maintenance. This warranty does not cover claims which do not involve defective workmanship or materials. **FAILURE TO PERFORM GENERAL MAINTENANCE (INCLUDING CLEANING) WILL VOID THIS WARRANTY.**

THIS LIMITED WARRANTY IS GIVEN TO THE PURCHASER IN LIEU OF ALL OTHER WARRANTIES, EXPRESSED OR IMPLIED, INCLUDING BUT NOT LIMITED TO THE WARRANTIES OF MERCHANTABILITY OF FITNESS FOR A PARTICULAR PURPOSE. THE REMEDY PROVIDED IN THIS WARRANTY IS EXCLUSIVE AND IS GRANTED IN LIEU OF ALL OTHER REMEDIES. IN NO EVENT WILL GHP GROUP, INC. BE LIABLE FOR INCIDENTAL OR CONSEQUENTIAL DAMAGES.

Some states do not allow limitations on how long an implied warranty lasts, so the above limitation may not apply to you. Some states do not allow the exclusion or limitation of incidental or consequential damages so the above limitation or exclusion may not apply to you.

CLAIMS HANDLED AS FOLLOWS:

1. Contact your retailer and explain the problem.
2. If the retailer is unable to resolve the problem, contact our Customer Service Dept, detailing the heater model, the problem, and proof of date of purchase.
3. A representative will contact you. DO NOT RETURN THE HEATER TO GHP GROUP, INC. unless instructed by our Representative. This warranty gives you specific legal rights and you may also have other rights which vary from state to state.

TO REGISTER THE WARRANTY ON YOUR HEATER, PLEASE FILL OUT THIS CARD COMPLETELY
AND MAIL WITHIN 14 DAYS FROM DATE OF PURCHASE OR REGISTER ON-LINE AT www.ghpgroupinc.com

NAME: _____ PHONE: () _____ EMAIL: _____
ADDRESS: _____ CITY: _____ STATE: _____ ZIP: _____
MODEL: _____ SERIAL #: _____ DATE PURCHASED: _____
DEALER PURCHASED FROM: _____ TYPE OF STORE: _____
CITY & STATE WHERE PURCHASED: _____ PRICE PAID: _____

Please Take a Minute To Give Us Your Answers To The Following Questions.

All Responses Are Used Solely For Market Research And Are Held In Strict Confidence.

Who primarily decided this purchase? Male Female 18-24 25-39 40-59 60 and over
Purpose of Purchase? _____
Do you own any other portable heaters? Yes No If yes, type _____ brand _____
How do you intend to use your new heater? Construction Site Farm Warehouse/Commercial Garage/Outbuilding Other
How did you become aware of this heater? In-Store Display Newspaper Ad Magazine Ad Friend/Relative
 TV Commercial Store Salesperson Other _____
What made you select this heater? Style Size/Portability Price Package Brand Other _____
Do you: own rent Would you recommend this heater to a friend? Yes No
Please give us your comments: _____

THANK YOU FOR COMPLETING THIS FORM!

Information will be held confidential.

WARRANTY REGISTRATION

IMPORTANT: We urge you to fill out your warranty registration card within fourteen (14) days of date of purchase. You can also register your warranty on the internet at www.ghpgroupinc.com. Complete the entire serial number. Retain this portion of the card for your records.



GHP Group, Inc.
6440 W Howard St
Niles, IL 60714-3302

Tel: (877) 447-4768
www.ghpgroupinc.com

SAVE THIS CARD!

Place
Postage
Stamp
Here

GHP Group, Inc.
6440 W Howard St
Niles, IL 60714-3302

NÚM. DE MODELO VFL-VO24DR
VFL-RO24DR
VFL-VO30DR
VFL-RO30DR

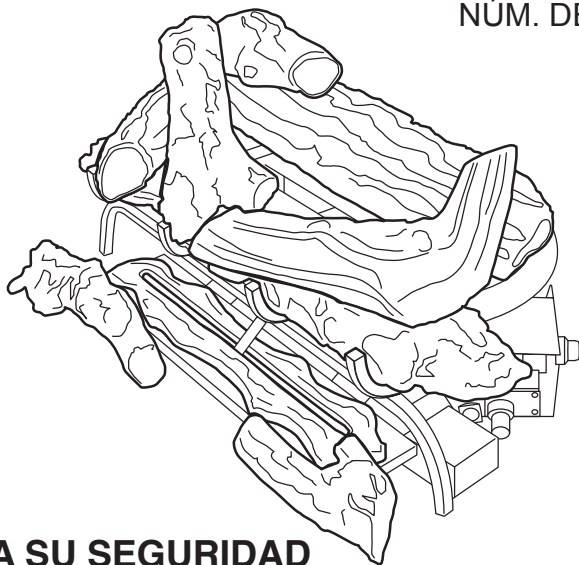


Combustible dual



0418GL011S

ANSI Z21.11.2-2013
ANSI Z21.60-2012



⚠ ADVERTENCIA: Este aparato está equipado para gas (Natural y Propano). La conversión de campo no está permitida a menos que sea entre gas natural o gas propano.

⚠ PRECAUCIÓN- PARA SU SEGURIDAD

⚠ ADVERTENCIA: SI NO SE SIGUE CON EXACTITUD LA INFORMACIÓN EN ESTE MANUAL, PUEDE RESULTAR UN INCENDIO O EXPLOSIÓN OCACIONANDO DAÑOS A LA PROPIEDAD, LESIONES PERSONALES O LA MUERTE.

- No almacene ni use gasolina ni otros vapores y líquidos inflamables en la vecindad de este u otro aparato.

QUÉ HACER SI HUELE GAS

- No trate de encender ningún aparato.
 - No toque ningún interruptor eléctrico; no use ningún teléfono en su edificio.
 - Llame de inmediato a su proveedor de gas del teléfono de un vecino. Siga las instrucciones del proveedor de gas.
 - Si no puede contactar a su proveedor de gas, llame al Cuerpo de Bomberos
- La instalación y el servicio deben ser hechos por un instalador calificado, agencia de servicio o el proveedor del gas.

Este es un calefactor accionado por gas no ventilado. Utiliza aire (oxígeno) de la habitación en la cual está instalado. Deben tomarse medidas para una combustión y aire de ventilación adecuados. Consulte la sección Aire para la combustión y ventilación, página 8 de este manual.

**INSTALADOR: Deje este manual con el dispositivo.
CONSUMIDOR: Conserve este manual para uso futuro.**

Este aparato debe instalarse en una casa móvil prefabricada localizada permanentemente, de un mercado de piezas de repuesto, donde no esté prohibida por los códigos locales. Este aparato es solamente para uso con propano o gas natural. Este aparato está equipado con un medio simple para conmutar entre propano y gas natural. La conversión de campo por cualquier otro medio incluyendo el uso de un juego no está permitido.



¿Tiene preguntas, problemas o faltan piezas? Antes de regresar a su tienda minorista, llame a nuestro departamento de servicio al cliente al 1-877-447-4768, de lunes a viernes de 8:30 a.m. a 4:30 p.m. hora estándar del Centro, o escribanos a customerservice@ghpgroupinc.com.

TABLA DE CONTENIDO

Epecificaciones.....	2
Información de seguridad importante.....	3
Identificación del producto.....	5
Características del producto.....	6
Preparación para la instalación.....	7
Instalación.....	10
Desempaque.....	15
Ensamblaje de los leños.....	21
Operación.....	23
Operación del control remoto.....	25
Cuidado y mantenimiento.....	32
Resolución de fallas.....	34
Piezas de repuesto.....	37
Accesorios.....	37
Garantía.....	38

⚠ ADVERTENCIA: Lea las Instrucciones de instalación y operación antes de usar este aparato.

IMPORTANTE: Lea cuidadosamente todas las instrucciones y advertencias antes de comenzar la instalación. No seguir estas instrucciones puede resultar en posibles lesiones a las personas o peligro de incendio y anulará la garantía.

ARTÍCULO	VFL-VO24DR VFL-RO24DR		VFL-VO30DR VFL-RO30DR	
	Capacidad nominal de entrada	33,000 BTU/Hr		33,000 BTU/Hr
Tipo de gas	Natural	PL/Propano	Natural	PL/Propano
Ignición	Piezo electrónica	Piezo electrónica	Piezo electrónica	Piezo electrónica
Presión del distribuidor	4.5 pulg. de columna de agua	10 pulg. de columna de agua	4.5 pulg. de columna de agua	10 pulg. de columna de agua
*Para fines de ajuste de entrada				
Máximo	7 pulg. de columna de agua	14 pulg. de columna de agua	7 pulg. de columna de agua	14 pulg. de columna de agua
Mínimo*	5.5 pulg. de columna de agua	11 pulg. de columna de agua	5.5 pulg. de columna de agua	11 pulg. de columna de agua

SISTEMA DE APAGADO DE COMBUSTIBLE ERRÓNEO

Este calefactor está equipado con un circuito dual activado por presión que no permitirá que el quemador principal encienda si se ha instalado el combustible incorrecto. Las presiones del gas de entrada, enumeradas en la página 2 de este Manual del Propietario, deben ser correctas para que este sistema funcione de manera fiable. La presión excesiva del gas natural de entrada activará el "sistema de apagado de combustible erróneo" y el calefactor no encenderá.

CONSEJOS DE SERVICIO

Cuando la presión del gas es demasiado baja

- el piloto no se mantiene encendido
- los quemadores tienen ignición retrasada
- el calefactor no producirá el calor especificado
- para unidades de propano/PL, el suministro de gas propano/PL puede estar bajo

Usted puede sentir que la presión del gas está demasiado baja. Si es así, póngase en contacto con su proveedor local de gas natural o propano/PL.

INFORMACIÓN DE SEGURIDAD IMPORTANTE

IMPORTANTE: Por favor, lea cuidadosa y completamente este manual del propietario antes de intentar ensamblar, operar o darle servicio a este calefactor. El uso inapropiado de este calefactor puede causar lesiones graves o la muerte por quemaduras, incendio, explosión, choque eléctrico y envenenamiento por monóxido de carbono.

Solamente un instalador calificado, un agente de servicio o el proveedor local de gas puede instalar y darle servicio a este producto.

ADVERTENCIA: No almacene ni use gasolina ni otros vapores o líquidos inflamables en la vecindad de este o cualquier otro aparato.

ADVERTENCIA: Este aparato puede ser usado con propano o gas natural. Es enviado de la fábrica ajustado para ser usado con propano.

PELIGRO DE ENVENENAMIENTO CON MONÓXIDO DE CARBONO: Las señales tempranas de envenenamiento con monóxido de carbono se parecen a la gripe con dolores de cabeza, mareos o náusea. Si tiene estas señales, el calefactor puede no estar funcionando adecuadamente. ¡Respire aire fresco de inmediato! Haga que se le de servicio al calefactor. Algunas personas resultan más afectadas que otras por el monóxido de carbono. Estas incluyen mujeres embarazadas, personas con enfermedades del corazón o pulmones, personas anémicas, personas bajo la influencia del alcohol y las que viven a grandes altitudes.

GAS NATURAL Y PROPANO/PL: El gas natural y el propano/PL son inodoros. Un agente generador de olor se agrega al gas. El agente ayuda a detectar una fuga de gas. Sin embargo, el olor agregado al gas puede desaparecer. El gas puede estar presente a pesar de que no se sienta olor. Asegúrese de leer y comprender todas las advertencias. Conserve este manual para referencia. Es su guía para operar este calefactor de forma segura.

ADVERTENCIA:

- Debido a las altas temperaturas, ubique este aparato fuera del tráfico y lejos de muebles y cortinajes.
- El calefactor se calienta mucho cuando está en funcionamiento. Mantenga a los niños y adultos lejos de las superficies calientes para evitar quemaduras o ignición de la ropa. El calefactor permanecerá caliente durante un tiempo después de apagarse. Deje que las superficies enfríen antes de tocarlo.
- Supervise cuidadosamente a niños pequeños cuando estén en la habitación con el calefactor.
- No coloque ropa ni otro material inflamable en o cerca del aparato. Nunca coloque ningún objeto en el calefactor.
- La instalación y reparación serán hechos solamente por una persona de servicio calificada. El dispositivo debe ser inspeccionado antes de su uso al menos una vez al año por una persona de servicio profesional. Se puede necesitar limpieza más frecuente debido a pelusa excesiva de alfombras, ropa de cama, etc. Es imperativo que se mantengan limpios los compartimientos de control, quemadores y los pasillos de aire circulante del dispositivo.
- Cualquier cambio a este calefactor o a sus controles puede ser peligroso.
- No use ningún accesorio no aprobado para uso con este calefactor.
- Mantenga el área del aparato despejada y libre de materiales combustibles, gasolina y otros vapores y líquidos inflamables.
- Este aparato está previsto para calefacción complementaria.

PROPUESTA 65 DE CALIFORNIA

Los combustibles usados en aparatos accionados por gas u aceite y los productos de combustión de tales combustibles contienen sustancias químicas que el Estado de California sabe producen cáncer o defectos de nacimiento u otros daños reproductivos. Este producto contiene sustancias químicas, incluyendo plomo y compuestos de plomo, que el Estado de California sabe producen cáncer o defectos de nacimiento u otros daños reproductivos. **Lávese las manos después de su manipulación.**



INFORMACIÓN DE SEGURIDAD

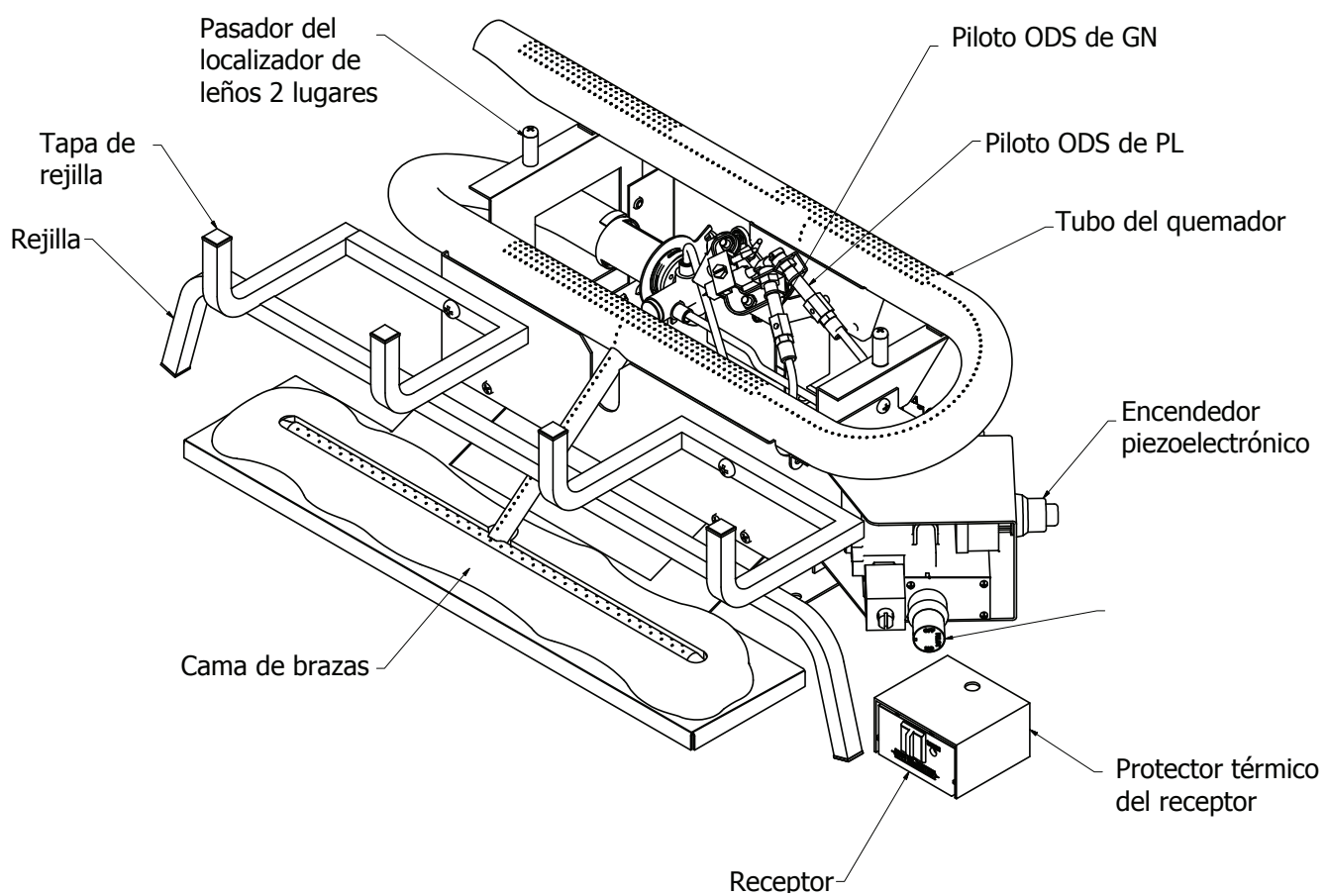
1. Este aparato es solo para ser usado con el tipo de gas indicado en la placa de características. Este aparato no es convertible para uso con otros gases.
2. No coloque el(los) tanque(s) de suministro de propano/PL dentro de ninguna estructura. Coloque el(los) tanque(s) de suministro de propano/PL en exteriores.
3. Si huele a gas
 - apague el suministro de gas
 - no trate de encender ningún aparato
 - no toque ningún interruptor eléctrico; no use ningún teléfono en su edificio
 - llame de inmediato a su proveedor de gas del teléfono de un vecino. Siga las instrucciones del proveedor de gas.
 - si no puede contactar a su proveedor de gas, llame al Cuerpo de Bomberos.
4. Este calefactor no debe instalarse en una habitación o baño.
5. No use este calefactor como un calefactor para quemar madera. Use solamente los leños proporcionados con el calefactor.
6. No agregue leños extra ni ornamentos como conos de pino, vermiculita o lana de roca. El uso de estos artículos agregados puede producir hollín. No agregue roca de lava dentro del calentador ; solamente alrededor del exterior del calentador
7. Este calefactor está diseñado para no producir humo. Si parece ser que los leños producen humo, apague el calefactor y llame a una persona de servicio calificada. Nota: Durante la operación inicial, podría producirse poco humo debido al curado de los leños y al quemado de residuos de fabricación del calefactor.
8. Para evitar la creación de hollín, siga las instrucciones de Limpieza y mantenimiento, páginas 32-33.
9. Antes de usar pulidor de mueble, cera, limpiador de alfombra o productos similares, apague el calefactor. Si se calienta, los vapores de estos productos pueden crear un residuo de polvo blanco dentro de la caja del quemador o en paredes adyacentes o muebles.
10. Este calefactor necesita ventilación de aire fresco para que funcione apropiadamente. Este calefactor tiene un sistema de apagado de seguridad de Detección de disminución de oxígeno (ODS). El ODS apaga el calefactor si no está disponible suficiente aire fresco. Ver Aire para la combustión y ventilación, página 9. Si el calefactor se mantiene apagándose, vea Resolución de fallas, página 34.
11. No haga funcionar el calefactor
 - donde se almacenen o usen líquidos o vapores inflamables.
 - bajo condiciones de mucho polvo.
12. No use este calefactor para cocinar alimentos ni quemar papel u otros objetos.
13. Nunca coloque ningún objeto en el calefactor o en los leños.
14. No use este calefactor si alguna pieza ha estado bajo el agua. Llame de inmediato a un técnico de servicio calificado para inspeccionar el calefactor y reemplazar cualquier pieza del sistema de control y cualquier control del gas que haya estado bajo el agua.
15. Solo una persona de servicio calificada debe darle servicio y reparar el calefactor.
16. La operación del calefactor sobre elevaciones de 4,500 pies podría causar un apagón del piloto.
17. No opere el calefactor si los leños están rotos. No opere el calefactor si los leños están astillados (del tamaño de una moneda de 10 centavos o más grandes).
18. Para evitar problemas de desempeño, no use tanque de combustible de propano/PL de menos de 100 lb. de capacidad.
19. Proporcione espacios libres adecuados alrededor de las aberturas de aire.
20. Una rejilla de chimenea debe estar en su sitio cuando el calefactor esté funcionando.

AGENCIA DE INSTALACIÓN CALIFICADA

Solamente una agencia calificada debe instalar y reemplazar la tubería de gas, el equipo de utilización de gas o accesorios, y reparar y darle mantenimiento al equipo. El término "agencia calificada" significa una firma, corporación o empresa individual que, ya sea en persona o a través de un representante, participa en y es responsable de:

- a) Instalar, probar o reemplazar tubería de gas, o
- b) Conectar, instalar, probar, reparar o darle mantenimiento a equipo; que tenga experiencia en tal trabajo; que esté familiarizado con todas las precauciones requeridas; y que haya cumplido con todos los requisitos de la autoridad que tiene jurisdicción.

IDENTIFICACIÓN DEL PRODUCTO



CARACTERÍSTICAS DEL PRODUCTO

Este conjunto de leños ha sido probado y aprobado por la norma ANSI Z21.11.2-2013 para Calefactores no ventilados y pueden ser operados con el regulador de tiro del conducto cerrado. Los códigos estatales y locales en algunas áreas prohíben el uso de calefactores de tiro natural.

CAPACIDAD DE COMBUSTIBLE DUAL

Su calefactor está equipado para operar con gas propano o gas natural. El calefactor es enviado de la fábrica listo para ser conectado al propano. El calefactor puede ser fácilmente cambiado a gas natural haciendo que su instalador calificado siga las instrucciones en la página 16 y las marcas en el calefactor.

PILOTO DE SEGURIDAD

Este calefactor tiene un piloto con un sistema de apagado de seguridad de Detección de disminución de oxígeno (ODS). El ODS/piloto apaga el calefactor si no hay suficiente aire fresco y corta el gas del quemador principal en el caso de que la llama se apague.

SISTEMA DE IGNICIÓN ELÉCTRICA DE BOTÓN DE PRESIÓN

Este calefactor está equipado con un sistema de control piezo electrónico. Este sistema requiere una batería AAA (proporcionada).

CONTROL DE CALOR DEL TERMOSTATO

El control alterna automáticamente el apagado y encendido del quemador para mantener la temperatura deseada de la habitación (Ver página 24). Cuando se usa como un aparato decorativo ventilado, está prohibido el uso de la función del termostato, opere manualmente únicamente.

Estado de Massachusetts: La instalación debe ser hecha por un fontanero o técnico de gas calificado en la Commonwealth de Massachusetts. Los vendedores de calefactores complementarios de habitación no ventilados accionados por propano o gas natural deben proporcionar a cada comprador una copia de 527 CMR 30 con la venta de la unidad.

En el Estado de Massachusetts, los calefactores de espacio no ventilados accionados por propano o gas natural están prohibidos en dormitorios y baños.

En el Estado de Massachusetts la válvula de cierre del gas debe ser del tipo mango en T. El Estado de Massachusetts exige que un conector flexible de dispositivo no exceda de tres pies de longitud.

CÓDIGOS LOCALES

Instale y use el calefactor con cuidado. Siga todos los códigos. En ausencia de códigos locales, use la versión más reciente del Código Nacional de Gas Combustible, ANSI Z223.1, también conocido como NFPA 54*.

*Disponible en:

American National Standard Institute, Inc.
1430 Broadway
New York, NY 10018

National Fire Protection Association, Inc.
1 Batterymarch Park
Quincy, MA 02269-9101

Este calefactor está diseñado para operación de tiro natural. Los códigos estatales y locales en algunas áreas prohíben el uso de calefactores de tiro natural.

La instalación de aparatos diseñados para casas prefabricadas (EE.UU. únicamente) o instalación de casas móviles debe hacerse conforme a *Standard CAN/CSA Z240 MH, Mobile Housing*, en Canadá, o a *Manufactured Home Construction and Safety Standard, Title 24 CFR, Part 3280*, en los Estados Unidos, o cuando tal norma no es aplicable, *ANSI/NCSBCS A225.1/NFPA 501A, Manufactured Home Installations Standard*.

PREPARACIÓN PARA LA INSTALACIÓN

VAPOR DE AGUA: UN SUBPRODUCTO DE CALEFACTORES NO VENTILADOS DE HABITACIÓN

El vapor de agua es un subproducto de la combustión del gas. Un calefactor no ventilado de habitación produce aproximadamente una (1) onza (30 mL) de agua por cada 1,000 BTU (3 Kw) de entrada de gas por hora. Un calefactor no ventilado de habitación está recomendado como un calefactor complementario (una habitación) en lugar de una fuente primaria de calor (una casa completa). En la mayoría de aplicaciones de calor complementario, el vapor de agua no crea un problema. En la mayoría de aplicaciones, el vapor de agua mejora la atmósfera de baja humedad que se experimenta durante clima frío.

Los pasos siguientes ayudarán a que el vapor de agua no se convierta en un problema:

1. Asegúrese de que el calefactor sea del tamaño apropiado para la aplicación, incluyendo aire de combustión adecuado y aire de circulación.
2. Si hay humedad alta, se puede usar un deshumidificador para ayudar a disminuir el contenido de vapor de agua del aire.
3. No use un calefactor no ventilado de habitación como la fuente primaria de calor.

AIRE PARA LA COMBUSTIÓN Y VENTILACIÓN

Este calefactor no deberá ser instalado en una habitación o espacio a menos que el volumen requerido de aire de combustión de interiores sea proporcionado por el método descrito en el **Código Nacional de Gas Combustible, ANSI Z223.1/NFPA 54**, el **Código Internacional de Gas Combustible**, o códigos locales aplicables.

CÓMO PRODUCIR UNA VENTILACIÓN ADECUADA

Todos los espacios en los hogares caen dentro de una de las siguientes clasificaciones de ventilación:

1. Construcción inusualmente hermética
2. Espacio no confinado
3. Espacio confinado

La información en las páginas 8 a 10 le ayudará a clasificar su espacio y proporcionar una ventilación adecuada.

Espacio confinado y no confinado

Un espacio confinado es un espacio cuyo volumen es menor de 50 pies cúbicos por 1,000 BTU/hr (4.8 m³ por kw) de la capacidad nominal de entrada agregada de todos los aparatos instalados en ese espacio y un espacio no confinado es un espacio cuyo volumen no es menor de 50 pies cúbicos por 1,000 BTU/hr (4.8 m³ por kw) de la capacidad nominal de entrada agregada de todos los aparatos instalados en ese espacio. Las habitaciones que se conectan directamente con el espacio en el cual están instalados* los aparatos, mediante aberturas no proporcionadas con puertas, son consideradas una parte del espacio no confinado.

Este calefactor no deberá ser instalado en un espacio confinado o construcción inusualmente hermética a menos que se tomen medidas para una combustión y aire de ventilación adecuados.

* Las habitaciones contiguas se conectan solo si hay pasillos sin puertas o rejillas de ventilación entre ellas.

Construcción inusualmente hermética

El aire que se filtra a través de puertas y ventanas puede brindar suficiente aire para la combustión y ventilación. Sin embargo, en edificios inusualmente herméticos, usted debe proporcionar aire fresco adicional.

La construcción inusualmente hermética se define como una construcción donde:

- a) las paredes y techos expuestos a la atmósfera exterior tienen un retardante continuo de agua y vapor con un valor de un perm (6x10⁻¹¹kg por pa-seg-m²) o menos con aberturas con juntas o selladas
- y
- b) se han agregado burletes a las ventanas que se pueden abrir y en puertas y
- c) se ha aplicado masilla o selladores a áreas como juntas alrededor de los marcos de ventanas y puertas, entre zapatas y pisos, entre juntas pared-techo, entre paneles de pared, en penetraciones para líneas de fontanería, eléctricas y de gas, y en otras aberturas.

Si su hogar cumple con los tres criterios anteriores, usted debe proporcionar aire fresco adicional.

Consulte "Aire de ventilación desde el exterior" (página 9). Si su hogar no cumple con todos los tres criterios anteriores, proceda a la "Determinación del flujo de aire fresco a la ubicación del calefactor".

PREPARACIÓN PARA LA INSTALACIÓN

DETERMINACIÓN DEL FLUJO DE AIRE FRESCO A LA UBICACIÓN DEL CALEFACTOR

Determinación de si tiene un espacio confinado o no confinado

Use esta hoja de cálculo para determinar si tiene un espacio confinado o no confinado.

Espacio: Incluye la habitación en la cual instalará el calefactor más cualquier habitación contigua a pasillos sin puertas o rejillas de ventilación entre las habitaciones.

1. Determine el volumen del espacio Longitud × Anchura × Altura = pies cúbicos (volumen del espacio)
Ejemplo: Tamaño del espacio 20 pies (longitud) × 16 pies (anchura) × 8 pies (altura del cielo raso) = 2560 pies cúbicos (volumen del espacio)

Si se suministra ventilación adicional a la habitación contigua mediante rejillas o aberturas, agregue el volumen de estas habitaciones al volumen total del espacio.

2. Divida el volumen del espacio entre 50 pies cúbicos para determinar los BTU/hr máximos que el espacio puede soportar.

_____ (volumen del espacio) ÷ 50 pies cúbicos = (BTU/hr máximos que el espacio puede soportar)

Ejemplo: 2560 pies cúbicos (volumen del espacio) ÷ 50 pies cúbicos = 51.2 o 51,200 (BTU/hr máximos que el espacio puede soportar)

3. Agregue los BTU/hr de todos los aparatos que queman combustible en el espacio.

Calefactor de tiro natural _____ BTU/hr

Calentador de agua a gas* _____ BTU/hr

Horno a gas _____ BTU/hr

Calentador a gas venteado _____ BTU/hr Ejemplo:

Leños de calentador a gas _____ BTU/hr Calentador de agua a gas 30,000 BTU/hr

Otros aparatos a gas*+ _____ BTU/hr Calefactor de tiro natural + 26,000 BTU/hr

Total = ____ BTU/hr Total = 56,000 BTU/hr

*No incluya aparatos a gas de ventilación directa. La ventilación directa extrae aire para la combustión del exterior y descarga al exterior.

4. Compare los BTU/hr máximos que el espacio puede soportar con la cantidad real de BTU/hr usadas.

_____ BTU/hr (máximos que el espacio puede soportar)

_____ BTU/hr (cantidad real de BTU/hr usados).

Ejemplo: 51,200 BTU/hr (máximos que el espacio puede soportar) 56,000 BTU/hr (cantidad real de BTU/hr usados)

El espacio en el ejemplo anterior es un espacio confinado porque los BTU/hr reales usados es más que los BTU/hr máximos que el espacio puede soportar.

Usted debe proporcionar aire fresco adicional. Sus opciones son las siguientes:

- Revise la hoja de cálculo, agregando el espacio de una habitación contigua. Si el espacio extra proporciona un espacio no confinado, retire la puerta de la habitación contigua o agregue rejillas de ventilación entre las habitaciones. Consulte "Aire de ventilación desde el interior del edificio," página 9.
- Ventile la habitación directamente al exterior. Consulte "Aire de ventilación desde el exterior", página 9.
- Instale un calefactor de menos BTU/hr si el tamaño de menos BTU/hr hace que la habitación sea confinada. Si la cantidad de BTU/hr reales usados es menor que los BTU/hr máximos que el espacio puede soportar, el espacio es un espacio no confinado. No necesitará ventilación adicional de aire fresco.

PREPARACIÓN PARA LA INSTALACIÓN



ADVERTENCIA: Si el área en la cual puede ser operado el calefactor no cumple el volumen requerido para aire de combustión de interiores, el aire de combustión y ventilación será proporcionado por uno de los métodos descritos en el NATIONAL FUEL GAS CODE, ANSI Z223.1/NFPA 54, el INTERNATIONAL FUEL GAS CODE, o los códigos locales aplicables.

Aire de ventilación desde el interior del edificio

Este aire fresco vendría del espacio no confinado contiguo. Cuando se ventila a un espacio no confinado contiguo, debe proporcionar dos aberturas permanentes: una dentro de 12 pulg. de la pared que conecta los dos espacios (ver opciones 1 y 2, Fig. 1). También puede retirar la puerta de la habitación contigua (ver opción 3, Fig. 1). Siga el Código Nacional de Gas Combustible NFPA 54/ANS Z223.1. Aire para la combustión y ventilación para el tamaño requerido de las rejillas o ductos de ventilación.

Aire de ventilación desde el exterior

Proporcione aire fresco extra usando rejillas o ductos de ventilación. Debe proporcionar dos aberturas permanentes: una dentro de 12 pulg. del techo y otra dentro de 12 pulg. del piso. Conecte estos artículos directamente al exterior o a espacios abiertos al exterior. Estos espacios incluyen áticos y cámaras. Siga el Código Nacional de Gas Combustible NFPA 54/ANS Z223.1. Aire para la combustión y ventilación para el tamaño requerido de las rejillas o ductos de ventilación.

IMPORTANTE: No proporcione aberturas para aire de entrada o salida en el ático si este tiene un respiradero de potencia controlado por termostato. El aire caliente que ingresa al ático activará el respiradero de potencia. Revise la hoja de cálculo, agregando el espacio del espacio contiguo no confinado. Los espacios combinados deben tener suficiente aire fresco para abastecer a todos los aparatos en ambos espacios.

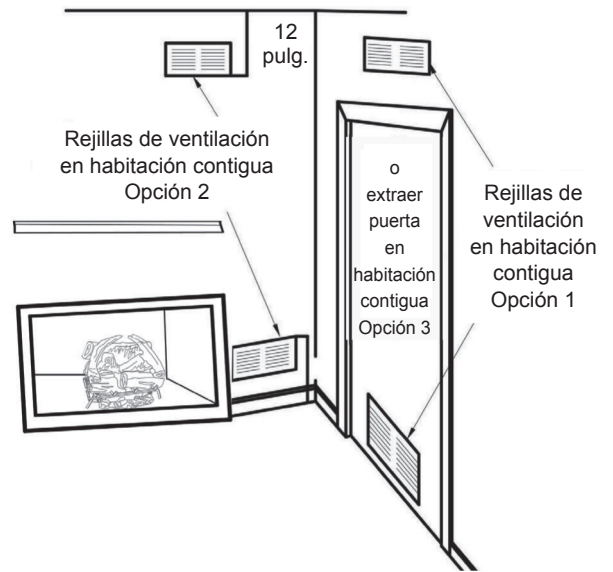


Fig. 1 - Aire de ventilación desde el interior del edificio

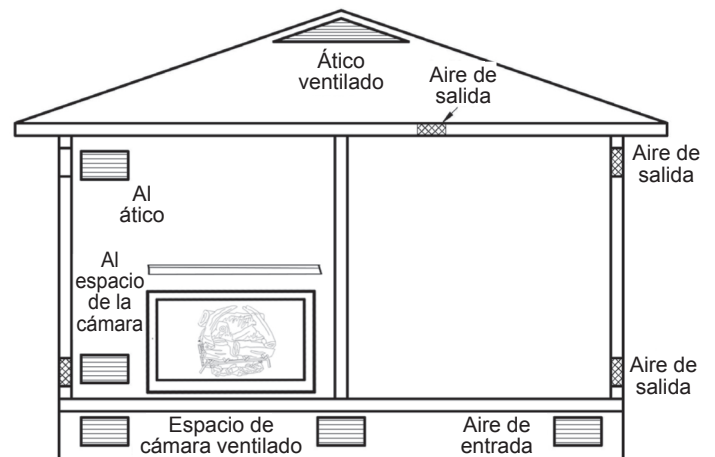


Fig. 2 - Aire de ventilación desde el exterior

INSTALACIÓN

⚠ ADVERTENCIA: No intente acceder a o cambiar el ajuste de los medios de selección del combustible.

El acceso a y el ajuste de los medios de selección de combustible deben ser realizados solamente por personal de servicio calificado cuando se conecta este aparato a un suministro de combustible especificado en el momento de la instalación.

El cambio del ajuste del selector a otro combustible diferente del tipo de combustible especificado en el momento de la instalación podría dañar este aparato y volverlo inoperable.

El instalador reemplazará la cubierta de acceso antes de completar la instalación y operar este aparato.

⚠ AVISO: Este calefactor está diseñado para ser usado como calor complementario. Use este calefactor junto con su sistema de calefacción primario. No instale este calefactor como su fuente primaria de calor. Si tiene un sistema de calefacción central, puede poner a funcionar un soplador de circulación del sistema mientras usa el calefactor. Esto ayudará a hacer circular el calor en toda la casa.

⚠ ADVERTENCIA: Un técnico calificado debe instalar el calefactor. Siga todos los códigos locales.

⚠ ADVERTENCIA: Nunca instale el calefactor:

- en un dormitorio o baño
- en un vehículo recreativo
- donde cortinas, muebles, ropa, etc. u otros objetos inflamables estén a menos de 42 pulg. del frente, parte superior o lados del calefactor.
- en áreas de alto tráfico
- en áreas donde hace mucho viento o con corrientes de aire

PRECAUCIÓN: Este calentador crea corrientes de aire caliente. Estas corrientes mueven calor a las superficies de las paredes contiguas al calefactor. La instalación del calefactor cerca de revestimientos de vinilo o de tela para pared o la operación del calefactor donde existan impurezas (como humo de tabaco, velas aromáticas, líquidos de limpieza, aceite o lámparas de queroseno, etc.) en el aire, puede hacer que las paredes se decoloren.

⚠ ADVERTENCIA: Toda puerta de vidrio deberá estar completamente abierta cuando esté en operación el calefactor.

⚠ ADVERTENCIA: Antes de instalar en una chimenea para quemar combustible sólido, un limpiador de chimenea calificado debe limpiar el conducto de la chimenea y la caja de fuego de hollín, creosota, cenizas y pintura floja.

⚠ ADVERTENCIA: No permita que los ventiladores soplen directamente a la chimenea. Evite corrientes que alteren los patrones de la llama del quemador.

⚠ ADVERTENCIA: No use un inserto de soplador, inserto de intercambiador de calor ni otro accesorio no aprobado para ser usado con este calefactor.

IMPORTANTE: Los calefactores de tiro natural agregan humedad al aire. Aunque esto es beneficioso, la instalación del calefactor en habitaciones sin suficiente aire de ventilación puede hacer que se forme moho debido a demasiada humedad. Consulte Aire para la combustión y ventilación, páginas 8 a 10.

COMPRUEBE EL TIPO DE GAS

Asegúrese de que su suministro de gas sea el correcto para su calefactor.

AVISO: Los códigos estatales o locales pueden permitir únicamente la operación de este aparato en una configuración ventilada. Revise sus códigos estatales o locales.

⚠ ADVERTENCIA: Este aparato está diseñado para instalarse únicamente en una chimenea de mampostería para quemar combustible sólido o en una chimenea UL 127 construida en la fábrica o en un recinto de chimenea sin ventilación enumerada. Excepción: NO instale este aparato en una chimenea construida en la fábrica que incluya instrucciones que planteen que no ha sido probada o que no debe ser usada con leños a gas no ventilados.

⚠ ADVERTENCIA: Los combustibles sólidos no se deben quemar en una chimenea en la cual esté instalado un calefactor de habitación no ventilado.

⚠ ADVERTENCIA: Cualquier ducto de aire exterior y/o depósitos de cenizas en la chimenea deberán estar permanentemente cerrados en el momento de la instalación del aparato.

INSTALACIÓN

COMPRUEBE EL TIPO DE GAS

Asegúrese de que su suministro de gas sea el correcto para su conjunto de leños. Si el suministro no es el correcto, no instale el calefactor. Llame al concesionario donde compró el calefactor para obtener el conjunto de leños a gas apropiado.

REQUERIMIENTOS DEL TAMAÑO DE LOS LEÑOS

Tamaño del leño	Tamaño mínimo de la caja de fuego			
	Altura	Profundida	Ancho del frente	Ancho de la parte trasera
24 pulg.	24 pulg.	15 pulg.	32 pulg.	22 pulg.
30 pulg.	24 pulg.	15 pulg.	36 pulg.	24 pulg.

ESPACIOS LIBRES del calefactor

- ⚠ PRECAUCIÓN:** Si instala el calefactor en la cochera de su casa
- el piloto y el quemador del calefactor deben estar al menos a 18 pulg. sobre el piso.
 - coloque el calefactor donde vehículos en movimiento no lo golpeen.

Por conveniencia y eficiencia, instale el calefactor:

- donde haya fácil acceso para la operación, inspección y servicio
- en la parte más fría de la habitación
- Si este aparato se va a instalar directamente sobre alfombra, baldosa u otro material combustible, que no sea piso de madera, el aparato debe ser instalado sobre un panel metálico o de madera que se extienda en la anchura y profundidad completas del aparato.

Espacios libres mínimos para material combustible lateral, pared lateral y techo

A. Los espacios libres del lado del gabinete del calefactor a cualquier material combustible y la pared deben seguir el diagrama en la Figura 2.5.

B. Los espacios libres desde la parte superior de la abertura del calefactor al techo no deben ser menores de 36 pulg.

- ⚠ ADVERTENCIA:** Mantenga los espacios libres mínimos. De ser posible, proporcione espacios libres más grandes que los requeridos desde el piso, techo y pared contigua.

Fig. 2.5

Espacio libre mínimo de la chimenea para los materiales combustibles		
Tamaño del leño	Pared lateral	Techo
24 pulg.	16 pulg.	36 pulg.
30 pulg.	16 pulg.	36 pulg.

- ⚠ ADVERTENCIA:** Selle cualquier respiradero de aire fresco o limpie la ceniza de puertas localizadas en el piso o la pared de la chimenea para evitar corrientes causadas por apagón del piloto o generación de hollín. Use un sellador resistente al calor. No selle el regulador de tiro del conducto de la chimenea.

INSTALACIÓN

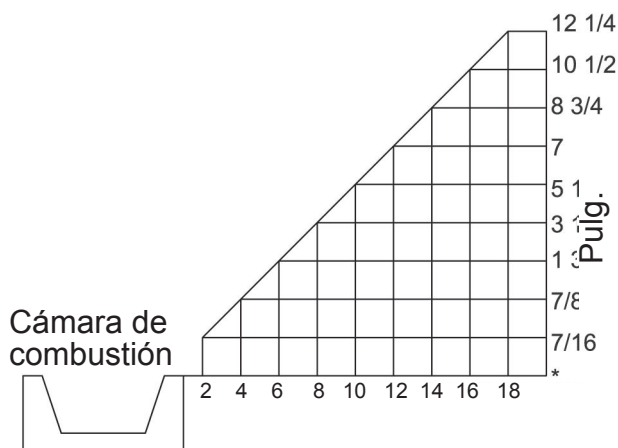
ESPACIO LIBRE MÍNIMO DEL MATERIAL NO COMBUSTIBLE

Si no está usando marco

Debe tener material(es) no combustible(s) sobre la abertura de la chimenea. Los materiales no combustibles (como pizarra, mármol, baldosa, etc.) deben ser de al menos 1/2 pulg. de grosor. Con hojas de metal, debe tener material no combustible detrás de él, como un accesorio de extractor de chimenea no combustible. Ver Fig. 4

AVISO: Este calefactor se puede usar como un producto ventilado. De ser así, debe siempre operar el conjunto de leños con el regulador de tiro del conducto de la chimenea abierto. Si se pone a funcionar el conjunto de leños con el regulador de tiro abierto, no es necesario el material no combustible sobre la abertura de la chimenea. Consulte Instalación de accesorio de sujeción del regulador de tiro para la Operación ventilada, página 14. Cuando se usa como un aparato decorativo ventilado, está prohibido el uso de la función del termostato, opere manualmente únicamente.

Fig. 3 - Espacio libre mínimo para combustible a pared

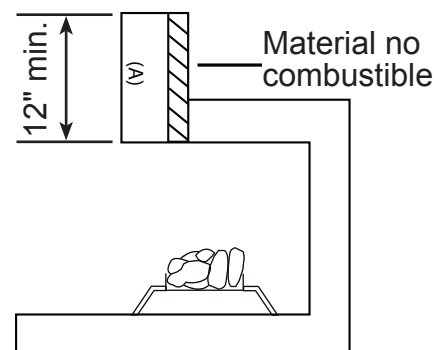


Si se usa marco

Debe tener material no combustible (como pizarra, mármol, baldosa, etc.) de al menos 1/2 pulg. de grosor. Con hojas de metal, debe tener material no combustible detrás de ellas. El material no combustible debe extenderse al menos 12 pulgadas arriba. Si el material no combustible es menor de 12 pulg., debe instalar el accesorio del extractor de la chimenea. Incluso si el material no combustible es mayor de 12 pulg., puede necesitar el accesorio del extractor para desviar el calor de la repisa del marco. Ver Fig. 3 y 4 para los requisitos de espacios libres mínimos.

IMPORTANTE: Si no se cumplen estos espacios libres mínimos, debe operar el calefactor con el regulador de tiro del conducto de la chimenea abierto. Consulte "Instalación de accesorio de sujeción de regulador de tiro para operación ventilada", página 14.

Fig. 4 - Material resistente al calor (pizarra, mármol, baldosa, etc.) sobre la chimenea.



INSTALACIÓN

ESPACIOS LIBRES DEL MARCO

Además de cumplir con los espacios libres del material no combustible, también debe cumplir con los espacios libres entre la abertura de la chimenea y la repisa del marco. Si no se cumplen los espacios libres enumerados a continuación, necesitará un extractor.

Determinación de los espacios libres del marco

Si cumple con los requisitos de espacios libres mínimos entre la repisa del marco y la parte superior de la abertura de la chimenea, no es necesario un extractor (ver Fig. 5).

Distancia del material no combustible	Requisitos para una instalación segura
8 pulg. o más	Está bien material no combustible.
Menos de 8 pulg.	El material no combustible debe extenderse a al menos 8 pulg. Ver entre 8 pulg. y 12 pulg. sobre. Si no puede extender el material, debe operar el calefactor con el regulador de tiro del conducto abierto.

Determinación del espacio libre mínimo del marco cuando se usa un extractor

Si no se cumplen los espacios mínimos en la Fig. 6, debe tener un extractor. Cuando se usa un extractor, todavía se requieren ciertos espacios libres mínimos del marco. Siga los espacios libres mínimos que se muestran en la Fig. 6 cuando use un extractor.

Fig. 5 - Espacios libres mínimos del marco sin usar extractor

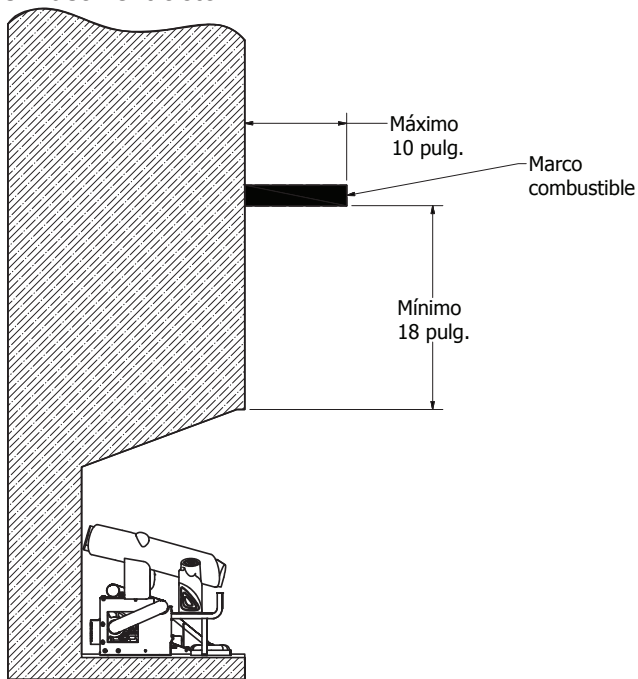


Fig. 5

Espacios libres del marco del conducto cerrado sin extractor

Fig. 6 - Espacios libres mínimos del marco cuando se usa extractor

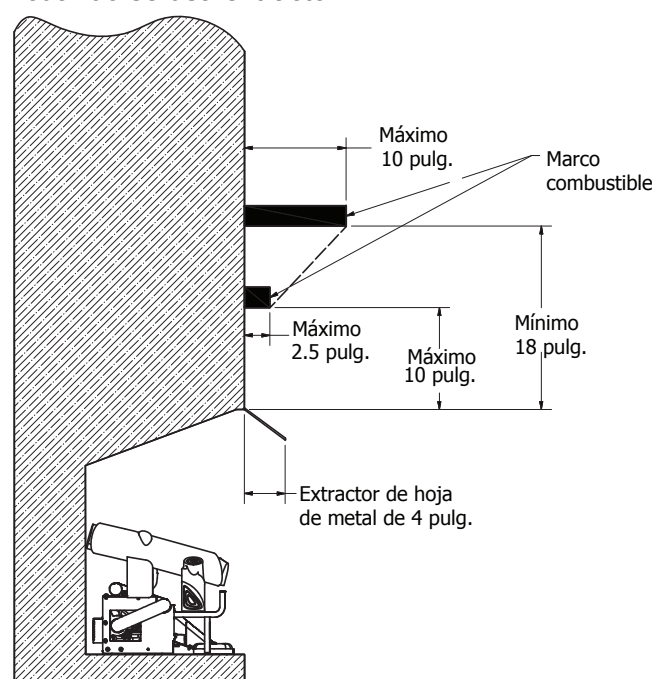


Fig. 6

Espacios libres del marco del conducto cerrado con extractor

AVISO: La temperatura de la superficie de paredes adyacentes y marcos se eleva durante la operación. Las paredes y marcos sobre la caja de fuego se pueden calentar demasiado al tacto. Si se instala adecuadamente, estas temperaturas cumplen el requisito de la norma nacional del producto. Siga todos los espacios libres mínimos mostrados en este manual.

AVISO: Si su instalación no cumple con los espacios libres mínimos mostrados, debe hacer uno de los siguientes: Operar los leños con el regulador de tiro del conducto abierto únicamente. Levantar el marco a una altura aceptable.

INSTALACIÓN

ESPACIOS LIBRES DEL PISO

- a) Si está instalando el aparato al nivel del piso, debe mantener la distancia mínima de 14 pulg. a los combustibles (ver Fig. 7).
- b) Si los materiales combustibles están a menos de 14 pulg. de la chimenea, debe instalar el aparato al menos a 5 pulg. sobre el solado combustible (ver Fig. 8).

Fig. 8 - Espacios libres mínimos de la chimenea sobre solado combustible

Fig. 7 - Espacios libres mínimos de la chimenea si está instalada a nivel del piso

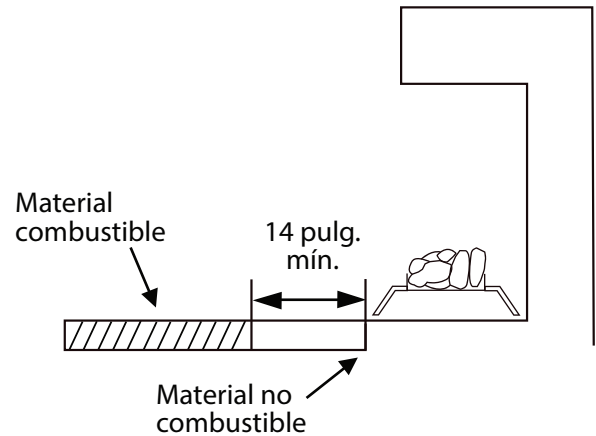
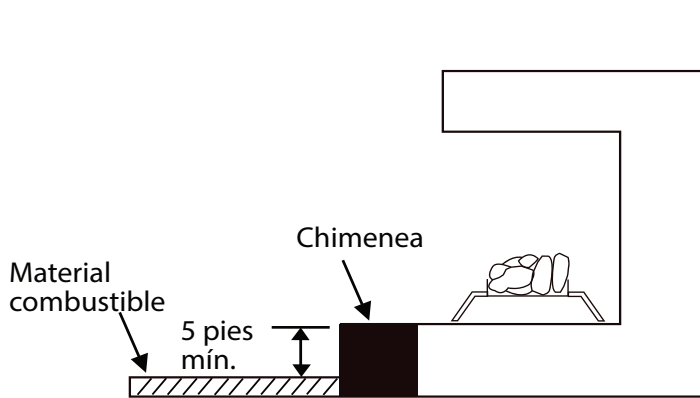
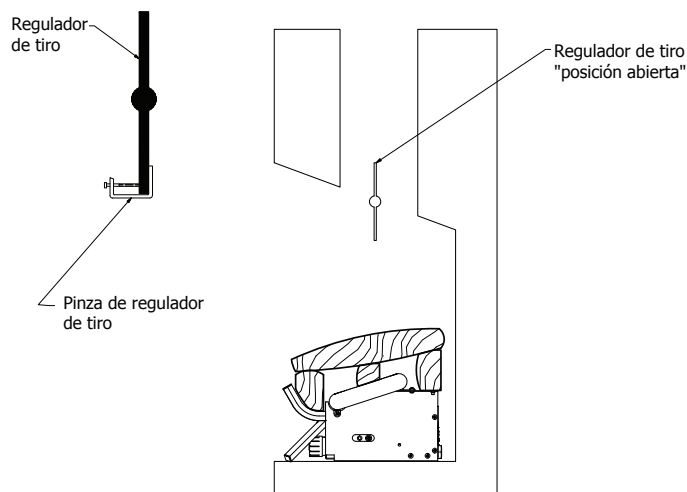


Fig. 9 - Instalación del regulador de tiro a la chimenea



INSTALACIÓN DEL ACCESORIO DE SUJECCIÓN DEL REGULADOR DE TIRO PARA OPERACIÓN VENTILADA

NOTA: Cuando se usa como calefactor ventilado, el aparato se debe instalar únicamente en una chimenea para quemar combustible sólido con un conducto en funcionamiento construido de material no combustible. Puede usar este calefactor como un producto ventilado. Cuando se usa como un aparato decorativo ventilado, está prohibido el uso de la función del termostato, opere manualmente únicamente. Hay tres razones para operar su calefactor como un modelo ventilado:

1. La chimenea no cumple con los requisitos de espacio libre para operación de tiro natural.
2. Los códigos estatales o locales no permiten operación de tiro natural.
3. Usted prefiere operación ventilada.

INSTALACIÓN



ADVERTENCIA: No colocar las piezas de acuerdo con estos diagramas o no usar solamente piezas específicamente aprobadas con este calefactor puede resultar en daños a la propiedad o lesiones personales.

Antes de comenzar a ensamblar u operar este producto, asegúrese de que todas las piezas estén presentes. Compare las piezas con la lista de contenido del paquete. Si hace falta alguna pieza o se encuentra dañada, no intente ensamblar, instalar u operar el producto. Póngase en contacto con servicio al cliente para las piezas de reemplazo.

Tiempo estimado de ensamblado: 1 a 2 horas

Herramientas requeridas para el ensamblado (no incluidas, a menos que se indique lo contrario):

Antes de instalar el calefactor, asegúrese de tener lo siguiente.

- Paquete de herraje (proporcionado con el calefactor)
- Manguera de gas flexible aprobada si lo permiten los códigos locales
- Sellador (resistente al gas natural o propano/PL)
- Taladro eléctrico con broca de 3/16 pulg.
- Destornillador Phillips
- Regulador externo (suministrado por el instalador si se requiere)
- Tubería (revise los códigos locales)
- Válvula de cierre del equipo
- Conexión de calibrador de prueba
- Trampa de sedimentos
- Junta T
- Llave de tubería
- Adaptador abocinado de 3/8 pulg. NPT a 3/8 pulg.

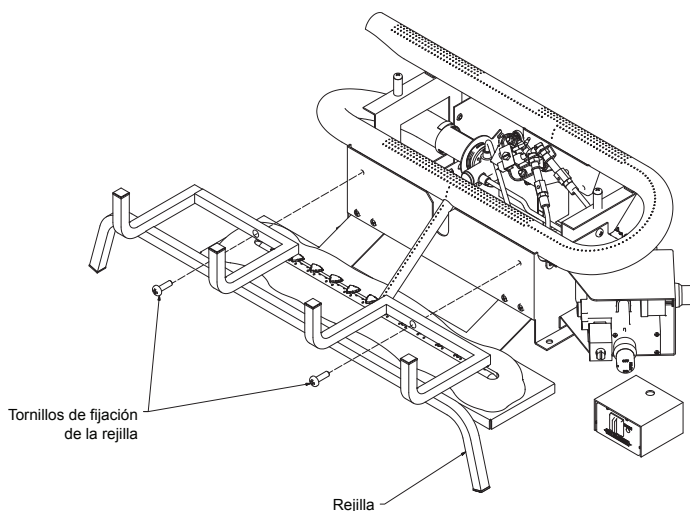
DESEMPAQUE

1. Retire los leños, la rejilla y el ensamblaje de la base del quemador de la caja. NOTA: No levante el ensamblaje de la base del quemador ya que esto podría dañar el calefactor. Maneje siempre el ensamblaje de la base por el marco.
2. Retire todo el empaque protector aplicado a los leños y al calefactor para envío.
3. Revise todos los artículos en busca de daños de envío. Si están dañados, informe con prontitud al concesionario donde compró el calefactor.

Fig. 10

PROCEDIMIENTO DE ENSAMBLAJE DE LA REJILLA

1. Coloque la rejilla en frente del quemador de modo que los 2 leños apunten hacia abajo, los "extremos de la rejilla" en la que se asientan los leños apunten hacia arriba, y los agujeros de los tornillos alineados con los agujeros de los tornillos en la unidad del quemador (Ver Fig. 10)
2. Apriete a mano la rejilla al quemador con (2) tornillos de fijación, cada uno a una distancia igual hasta que ya no sea posible apretar a mano
3. Termine de apretar los tornillos de fijación con un destornillador, pero asegúrese de no apretar demasiado.



INSTALACIÓN

INSTRUCCIONES DE SELECCIÓN DEL GAS

⚠ ADVERTENCIA: Este aparato puede ser usado con propano o gas natural. Es enviado de la fábrica ajustado para ser usado con propano.

PRECAUCIÓN: No se debe acceder a ni ajustar la perilla para los medios de selección del gas mientras el aparato esté en operación.

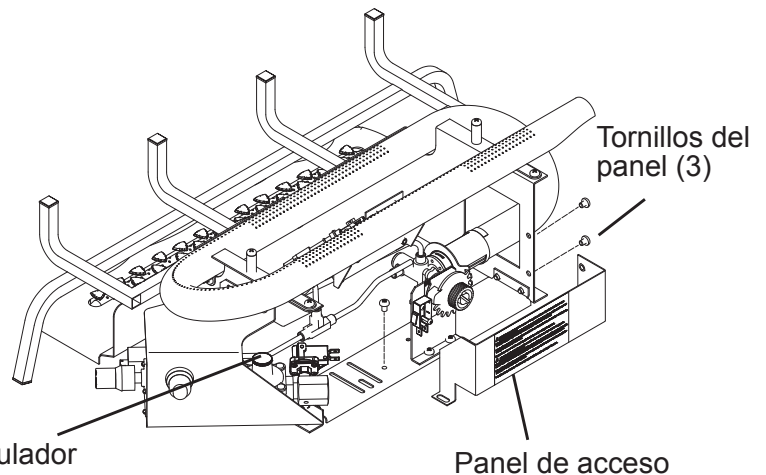
PRECAUCIÓN: Están prohibidas dos instalaciones de la línea de gas al mismo tiempo. No debe abrirse la placa de acceso a los medios de conmutación simple mientras el calefactor está en operación.

La instalación y ajustes serán hechos solamente por un técnico calificado.

NOTA: Si está conectando este aparato a propano no haga ningún ajuste. Proceda a la instalación de la línea de gas como se indica en el Manual del propietario.

Conversión a gas natural:

Paso 1 - Retire el panel de acceso



Paso 2 - Conversión del regulador

Tapa del regulador

Panel de acceso

Desatornille la tapa en la parte superior del regulador girándola hacia la izquierda. Desatornille el pasador del émbolo de la tapa del regulador girándolo hacia la izquierda. Voltee el pasador del émbolo 180 grados y atorníllelo de nuevo en la tapa del regulador girándolo hacia la derecha. Vuelva a colocar la tapa girándola de nuevo hacia la derecha sobre el regulador. Asegúrese de apretar a mano el pasador del émbolo y la tapa. (Ver Fig. 11)

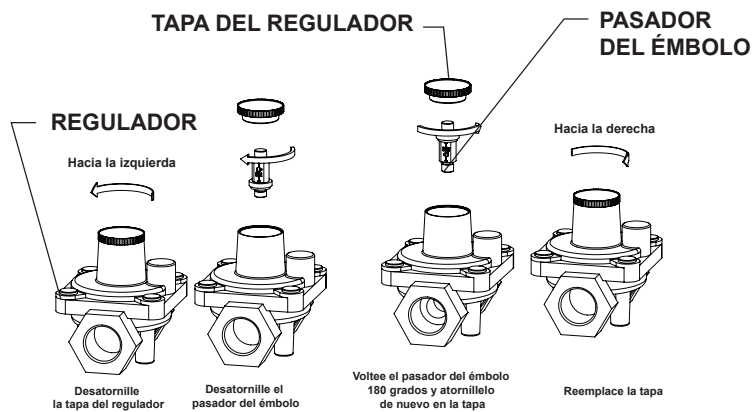


Fig. 11 - Conversión del regulador

Paso 3 - Ajuste de la válvula selectora del gas

Presione sobre la perilla de la válvula selectora y gire la perilla hacia la derecha hasta que se detenga. Suelte la perilla (Ver Fig. 12)

Asegúrese de que el microinterruptor se active en la posición correcta (ver Fig. 12)

No opere el aparato entre posiciones bloqueadas.

Paso 4 - Reemplace el panel de acceso

Invierta los pasos 1 y 2 para convertir de nuevo a gas propano.

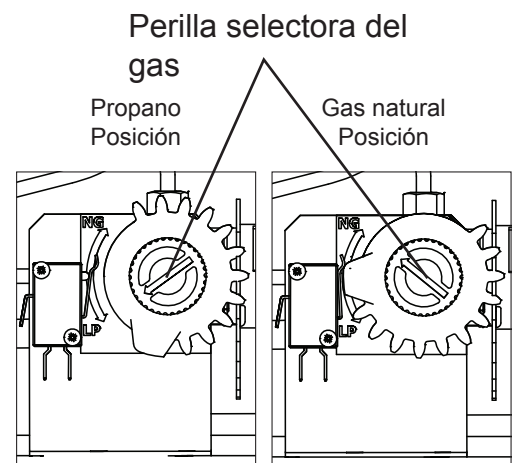


Fig. 12 - Válvula selectora

INSTALACIÓN

CONEXIÓN AL SUMINISTRO DE GAS

⚠ ADVERTENCIA: Un técnico de servicio calificado debe conectar el calefactor al suministro de gas. Siga todos los códigos locales.

PRECAUCIÓN: Nunca conecte el calefactor directamente al suministro de gas. Este calefactor requiere un regulador externo (no suministrado). El regulador externo entre el suministro de gas y el calefactor debe ser instalado. El proveedor de gas proporciona regulador externo para gas natural.

⚠ ADVERTENCIA: Nunca conecte el calefactor a pozos de gas privados (no del servicio público). Este gas se conoce comúnmente como gas de boca de pozo.

El instalador debe proveer un regulador externo para propano líquido. El regulador externo es proporcionado por el proveedor de gas para gas natural. El regulador externo reducirá la presión entrante del gas. Usted debe reducir la presión entrante del gas hasta entre 11 y 14 pulg. de columna de agua y entre 6 y 10.5 pulg. de columna de agua para gas natural. Si no reduce la presión entrante del gas, podrían ocurrir daños al regulador del calefactor. Instale el regulador externo con el respiradero apuntando hacia abajo como se muestra en la Fig. 13. Al instalar el regulador apuntando hacia abajo lo protege de la lluvia y aguanieve.

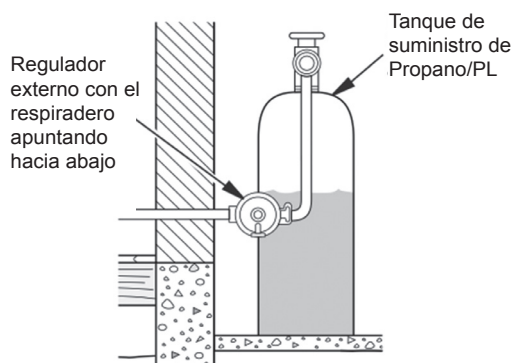


Fig. 13 - Conversión del regulador

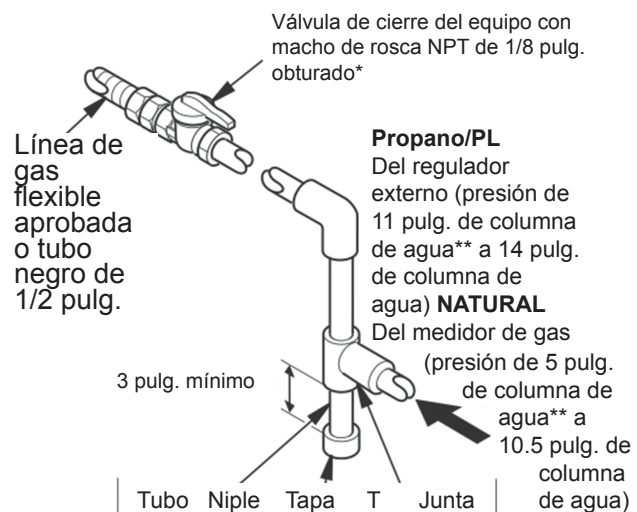


Fig. 14 - Conexión del gas

* Compre la válvula de cierre de equipo opcional en su tienda local de Home Center.

⚠ PRECAUCIÓN: Use solamente tubo nuevo de hierro negro o acero. Tubería de cobre internamente estañado puede ser usada en varias áreas. Revise sus códigos locales. Use tubo de 1/2 pulg. de diámetro o mayor para permitir que entre el volumen apropiado de gas al calefactor. Si el tubo es demasiado pequeño, ocurrirá pérdida de presión. La instalación debe incluir una válvula de cierre del equipo, conector de empalme y macho de rosca NPT de 1/8 pulg. obturado. Ubique el macho de rosca NPT de modo que sea de fácil acceso para conectar el calibrador de prueba. El macho de rosca NPT debe estar corriente arriba del calefactor (Ver Fig. 14).

IMPORTANTE: Instale la válvula de cierre del equipo en un lugar accesible. La válvula de cierre del equipo es usada para abrir y cerrar el gas al aparato. Aplique sellador de juntas de tubo en las roscas macho. Esto evitará que el exceso de sellador se vaya al tubo. El exceso de sellador en el tubo podría resultar en que las válvulas del calefactor se obstruyan.

INSTALACIÓN

⚠ PRECAUCIÓN: Use sellador de juntas de tubo que sea resistente al gas (PROPANO O GN). Recomendamos que instale una trampa de sedimentos en una línea de alimentación. Ubique la trampa de sedimentos donde esté al alcance para limpieza y que no tenga probabilidades de congelarse. Instálela en el sistema de tuberías entre el suministro de combustible y el calefactor. Una trampa de sedimentos atrapa la humedad y contaminantes. Esto evita que se vayan a los controles del calefactor. Si la trampa de sedimentos no está instalada o está instalada incorrectamente, el calefactor puede no funcionar apropiadamente.

⚠ PRECAUCIÓN: Evite dañar el regulador. Sostenga el regulador de gas con una llave cuando conecte a la tubería de gas y/o accesorios. Modelos de GN: 6 pulg. a 7 pulg. de columna de agua. El proveedor de gas proporciona regulador externo para gas natural.

Artículos de instalación requeridos (no suministrados)

- Llave ajustable de 8 pulg.
- Llave de tubería de 8 pulg.
- Línea flexible de gas de 3/8 pulg. (24 pulg. mín.) o tubo negro de 1/2 pulg.
- 90 Grados Adaptador abocinado 3/8 NPT x 3/8 pulg. o codo macho hembra de 3/8 pulg.
- Sellador (Resistente a gas propano (PL))
- Válvula de cierre

1) Es posible una variedad de opciones para enrutar las líneas de conexión del gas dependiendo de dónde está localizada su línea de suministro de gas. Instale el accesorio de 3/8 pulg. en el regulador del calefactor usando sellador y dirija la instalación a la izquierda o derecha hacia la línea de suministro del gas.

AVISO: La mayoría de códigos de construcción no permiten conexiones de gas ocultas. Revise su código de construcción local antes de usar línea flexible de gas para esta instalación.

2) Instale la línea de gas en el accesorio de 90 grados e instale en la válvula de cierre. Puede ser necesario cortar y acceder al agujero en el lado o el fondo del gabinete del marco dependiendo de su conexión particular.

3) Revise todas las conexiones en busca de fugas de gas.

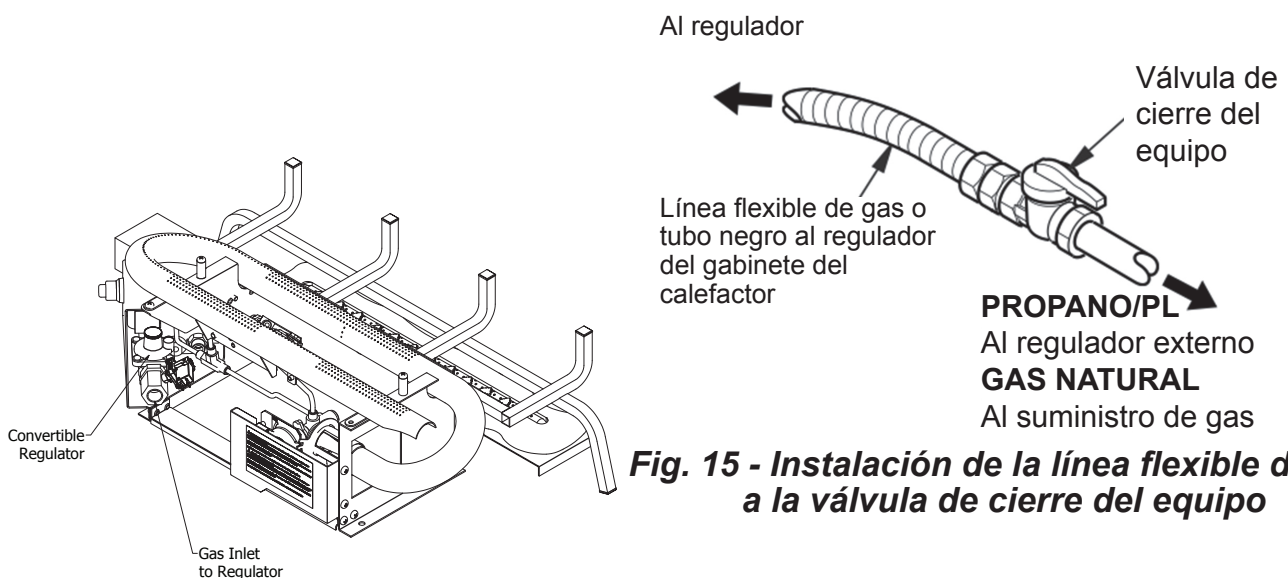


Fig. 15 - Instalación de la línea flexible de gas a la válvula de cierre del equipo

INSTALACIÓN

REVISIÓN DE LAS CONEXIONES DE GAS

⚠ ADVERTENCIA: Pruebe toda la tubería y conexiones de gas en contra de fugas después de la instalación y el servicio. Corrija todas las fugas de inmediato.

⚠ ADVERTENCIA: Nunca use una llama abierta para revisar en busca de fugas. Aplique una mezcla de jabón líquido y agua en todas las juntas. Si se forman burbujas, puede haber una fuga. Corrija todas las fugas de inmediato.

Prueba de presión del sistema de tuberías del suministro de gas Presiones de prueba mayores de 1/2 PSIG (3.5kPa)

1. Desconecte el calefactor con su válvula de gas principal del aparato (válvula de control) y la válvula de cierre del equipo del sistema de tuberías del suministro de gas. Las presiones mayores de 1/2 PSIG dañarán el regulador del calefactor.
2. Quite la tapa del extremo abierto del tubo de gas donde se conectó la válvula de cierre del equipo.
3. Presurice el sistema de tubería de suministro usando aire comprimido o abriendo la válvula del tanque de suministro de gas.
4. Revise todas las juntas del sistema de tuberías del suministro de gas. Aplique una mezcla de jabón líquido y agua en las juntas de gas. Si se forman burbujas, puede haber una fuga.
5. Corrija todas las fugas de inmediato.
6. Conecte de nuevo el calefactor y la válvula de cierre del equipo al suministro de gas. Revise los accesorios reconectados en busca de fugas.

Presiones de prueba iguales o menores de 1/2 PSIG (3.5 kPa)

1. Cierre la válvula de cierre del equipo (Ver Fig. 16).
2. Presurice el sistema de tubería de suministro usando aire comprimido o abriendo la válvula del tanque de suministro de gas.
3. Revise todas las juntas del medidor de gas a la válvula de cierre del equipo (Ver Fig. 17 o 18). Aplique una mezcla de jabón líquido y agua en las juntas de gas. Si se forman burbujas, puede haber una fuga.
4. Corrija todas las fugas de inmediato.

Prueba de presión de las conexiones de gas del calefactor

1. Abra la válvula de cierre del equipo (Ver Fig. 16).
2. Abra la válvula del tanque de suministro de gas.
3. Asegúrese de que la perilla de control del calefactor esté en la posición OFF.
4. Revise todas las juntas de la válvula de cierre del equipo a la válvula de control. (Ver Fig. 17 o 18). Aplique una mezcla de jabón líquido y agua en las juntas de gas. Si se forman burbujas, puede haber una fuga.
5. Encienda el calefactor (ver Operación, página 24). Revise todas las otras juntas internas en busca de fugas.
6. Apague el calefactor (ver "Apagar el gas al aparato," página 24).

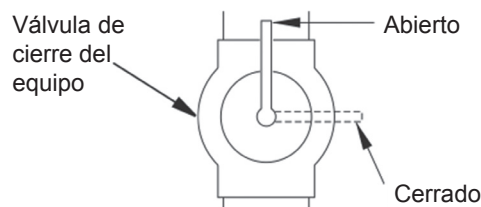


Fig. 16 - Válvula de cierre del equipo

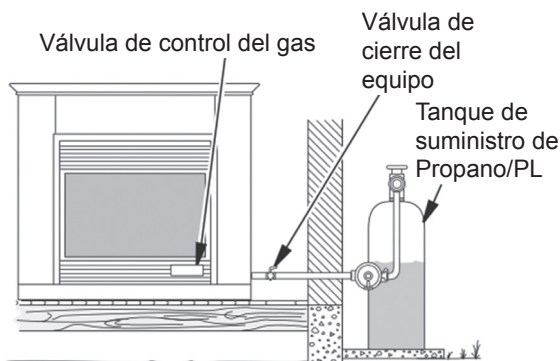


Fig. 17 - Revisión de las juntas de gas (Propano/PL solamente)

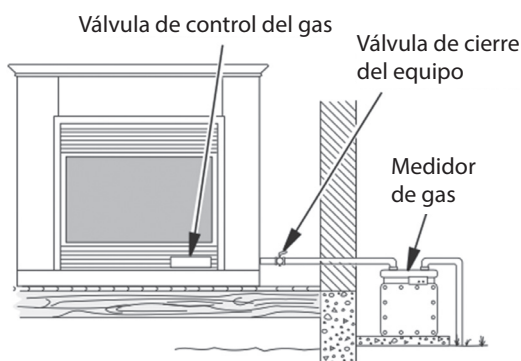


Fig. 18 - Revisión de las juntas de gas (Gas natural solamente)

INSTALACIÓN

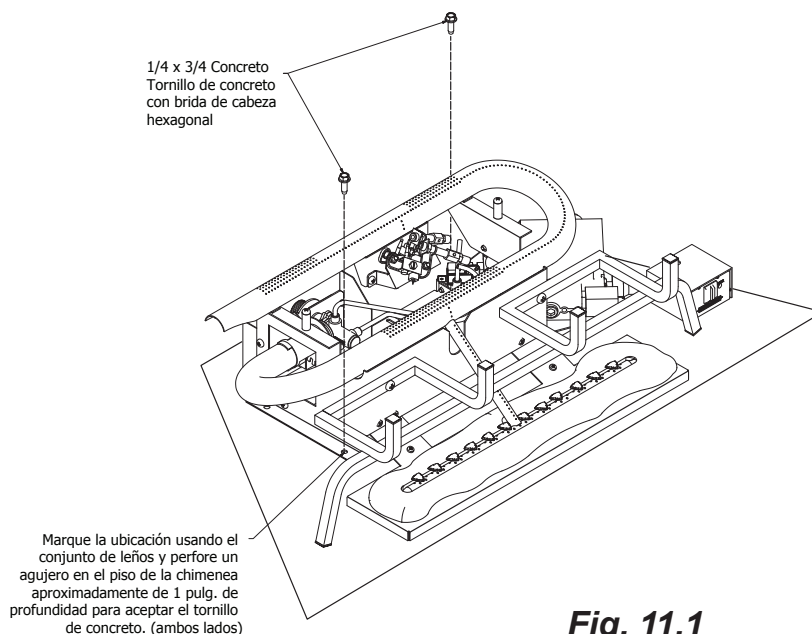
En cumplimiento de ANSI Z21.60•CGA2.26 y National Fuel Gas Code, Sección 6.

ANTES DE INSTALAR EL APARATO

- Cierre el suministro de gas a la chimenea o a la caja de fuego.
- Limpie el piso de la chimenea y la chimenea antes de instalar el conjunto de leños. Selle cualquier ceniza. Limpie las puertas para proteger la unidad de corrientes descendentes.

PROCEDIMIENTO DE ENSAMBLAJE DEL MONTAJE

- Coloque el ensamblaje de la rejilla/quemador en la caja de fuego con la bandeja frontal mirando hacia adelante.
- Perfore dos (2) agujeros de 5/32 pulg. de diámetro aproximadamente de 1 pulg. de profundidad.
- Ancle la bandeja frontal al piso usando los (2) tornillos de fijación de concreto (no incluidos). (Ver Fig. 11.1).
- Es esencial la instalación adecuada de la rejilla para evitar cualquier movimiento de los leños a gas y los controles durante la operación.



ENSAMBLAJE DE LOS LEÑOS

⚠ ADVERTENCIA: No colocar las piezas de acuerdo con estos diagramas o no usar solamente piezas específicamente aprobadas con este calefactor puede resultar en daños a la propiedad o lesiones personales.

⚠ ADVERTENCIA: Todo el material flojo aplicado previamente debe retirarse antes de la reaplicación.

⚠ PRECAUCIÓN: Después de la instalación y a partir de allí periódicamente, revise para asegurarse de que ninguna llama amarilla entre en contacto con los leños. Cuando el calefactor se ajusta a Alto, revise para ver si las llamas amarillas entran en contacto con los leños. Si es así, reubique los leños de acuerdo a las instrucciones de instalación de los leños en este manual. Las llamas amarillas en contacto con los leños crearán hollín.

Es muy importante instalar los leños con exactitud según las instrucciones. No modifique los leños; use solo los leños proporcionados con el calefactor. Cada leño está marcado con un número el cual le ayudará a identificar cada leño durante la instalación.

Leños proporcionados: 8

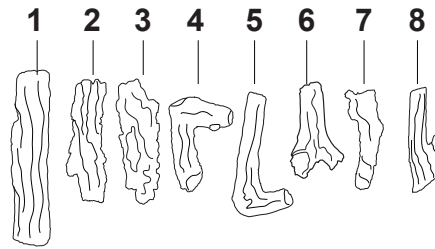
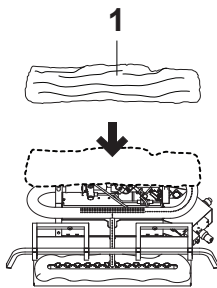
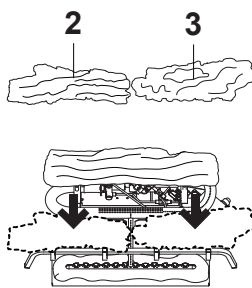


Fig. 19 - Instalación de leño #1



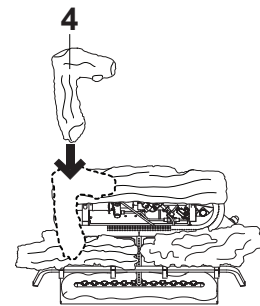
1. Inserte el leño #1 sobre los pines en la base de la rejilla del centro.

Fig. 20 - Instalación de leño #2-3



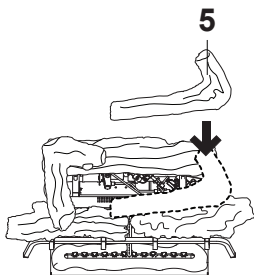
2. Coloque el leño #2 y #3 sobre la rejilla frontal. Asegúrese de que las áreas ahuecadas en el leño coincidan con la gradilla, y que el extremo interno de cada leño esté centrado en la rejilla.

Fig. 21 - Instalación de leño #4



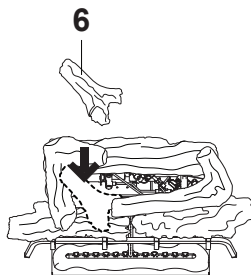
3. Coloque el leño #4 de modo que esté descansando en las áreas ahuecadas arriba a la izquierda de los leños #1 y #2.

Fig. 22 - Instalación de leño #5



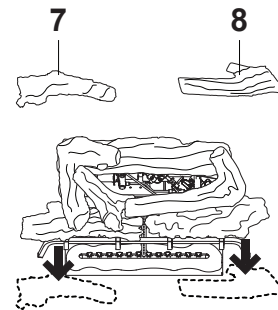
4. Coloque el leño #5 de modo que esté descansando en las áreas ahuecadas arriba a la derecha de los leños #1 y #4 y que apenas toque la parte superior derecha del leño #2.

Fig. 23 - Instalación de leño #6



5. Coloque el leño #6 de modo que descansa en la horquilla del leño #4 y que la horquilla del leño #6 esté en medio del leño #5.

Fig. 24 - Instalación de leño #7-8



6. Los leños #7 y #8 son opcionales, los leños decorativos que se pueden colocar en cualquier lugar NO en la unidad, sino en el piso de la caja de fuego. Se recomienda colocarlos como se ilustra.

INSTALACIÓN

INSTALACIÓN DE COPOS DE BRAZAS

NOTA: Este es un accesorio opcional, y no se necesita para la operación del calefactor.

⚠ ADVERTENCIA: Aplique el material flojo conforme al manual de instrucciones. NO aplique material extra ni material no suministrado con el calefactor. Reemplace solo con copos de brazas marca Pleasant Hearth (Modelo #GEF100).

⚠ ADVERTENCIA: Todo el material flojo aplicado previamente debe retirarse antes de la reaplicación.

⚠ ADVERTENCIA: Este aparato incluye un material para simular brazas incandescentes cuando la unidad está en operación. La colocación de este material es crítica para la operación segura de la unidad y se deben seguir explícitamente las instrucciones para el tamaño y colocación.

1. Abra la bolsa pequeña y retire todo el material de brazas.
2. Divida el material en formas triangulares de aproximadamente ½ pulg. en cada lado.
3. Con cuidado, coloque las formas en el tubo del quemador horizontal como se describe en la Fig. 25.
4. Asegúrese de que los copos de brazas no cubran los agujeros del puerto del quemador.
5. Las llamas que emanan de los agujeros del puerto del quemador harán que el copo de braza brille cuando la unidad esté en operación.

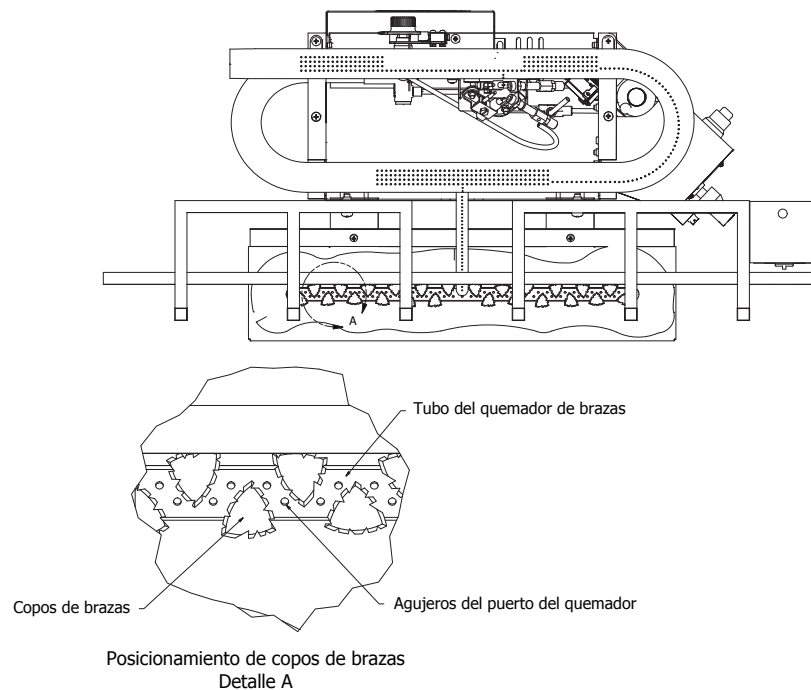


Fig. 25

OPERACIÓN

PARA SU SEGURIDAD LEA ANTES DEL ENCENDIDO



ADVERTENCIA: Si no sigue estas instrucciones exactamente, puede resultar un incendio o explosión ocasionando daños a la propiedad, lesiones personales o la muerte.

A. Este aparato tiene una piloto que debe ser encendido por el encendedor electrónico. Cuando encienda el piloto, siga estas instrucciones exactamente.

B. **ANTES DE ENCENDER** huela todo alrededor del área del aparato en busca de gas. Asegúrese de oler cerca del piso ya que algo de gas es más pesado que el aire y se asentará en el piso.

QUÉ HACER SI HUELE GAS

- No trate de encender ningún aparato.
- No toque ningún interruptor eléctrico; no use ningún teléfono en su edificio.
- Llame de inmediato a su proveedor de gas del teléfono de un vecino. Siga las instrucciones del proveedor de gas.
- Si no puede contactar a su proveedor de gas, llame al Cuerpo de Bomberos.

C. Use solamente su mano para presionar o girar la perilla de control del gas. Nunca use herramientas. Si la perilla no se puede presionar o girar a mano, no trate de repararla, llame a un técnico de servicio calificado. Una reparación forzada puede resultar en incendio o explosión.

D. No use este aparato si alguna pieza ha estado bajo el agua. Llame de inmediato a un técnico de servicio calificado para inspeccionar el aparato y reemplazar cualquier pieza del sistema de control y cualquier control del gas que haya estado bajo el agua.




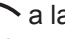
INSTRUCCIONES DE LA BATERÍA

- Las baterías están incluidas.
- Retire las baterías cuando se hayan agotado.
- Instale/cambie las baterías de acuerdo al tipo y cantidad establecidos en la tabla a continuación.
- No mezcle baterías viejas con nuevas. Las nuevas baterías deben ser de la misma marca para mejores resultados.
- Asegúrese de respetar la polaridad correcta (+/-) cuando instale o cambie las baterías. Los daños debido a instalación inadecuada de las baterías puede anular la garantía del producto.
- Para sistemas de control remoto, maximice la vida de las baterías apagando el receptor cuando no esté en uso.
- Para periodos largos fuera de operación, retire las baterías de todos los componentes por seguridad.

Componente	Tipo de batería	Cantidad de baterías
Encendedor	AAA	1

*Nota: La cantidad depende del modelo del control remoto.

INSTRUCCIONES DE ENCENDIDO

1. ¡ALTO! Lea la información de seguridad que se indicó anteriormente.
 2. Coloque el interruptor del receptor en la posición "ON" (Ver Fig. 26).
- Cuando se usa como un aparato decorativo ventilado, el uso de la función del termostato está prohibido, opere manualmente únicamente.
3. Gire la perilla de control hacia la derecha  a la posición "OFF" (Ver Fig. 26).
 4. Espere cinco (5) minutos para que se vacíe todo el gas. Luego huelo en busca de gas, incluyendo cerca del piso. Si huele gas, ¡ALTO! Siga "B" en la información de seguridad como se indicó antes. Si no huele a gas, vaya al siguiente paso.
 5. Presione ligeramente y gire la perilla de control hacia la izquierda  a la posición "PILOT" (Ver Fig. 26). Oprima la perilla de control.
 6. Con la perilla de control oprimida, presione el botón del encendedor hasta que el piloto se encienda. La ubicación del piloto es atrás del leño #3 cerca del centro del quemador. (Ver Fig. 27).
 7. Mantenga oprimida la perilla de control durante (30) segundos después de que el piloto encienda. Suelte la perilla de control.
- Si la perilla de control no salta cuando se suelte, pare y llame de inmediato a un técnico de servicio calificado o al proveedor de gas.
 - Si el piloto se apaga repita los pasos 3 al 7. Espere (1) minuto antes de intentar encender el piloto de nuevo. Si después de varios intentos el piloto todavía se apaga, gire la perilla de control del gas hacia la derecha  a la posición "OFF" y llame a un técnico de servicio calificado.
8. Gire la perilla de control hacia la izquierda  a la posición "ON".
 9. Para usar el control remoto termostático incluido, coloque el interruptor del receptor en la posición "REMOTE" (Ver Fig. 28). Presione el botón ON para encender el control remoto y encender el quemador principal. Consulte el manual de instrucción del control remoto en la siguiente página para las funciones "MODE" y "SET".

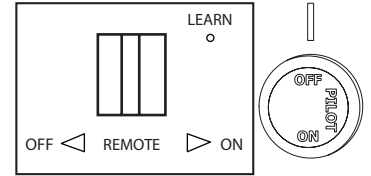
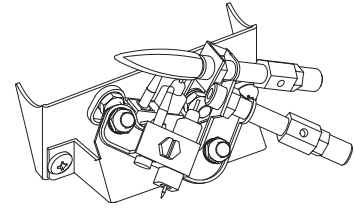


Fig. 26 - Receptor y perilla de control



Nota: Llama pequeña en piloto ODS de PL

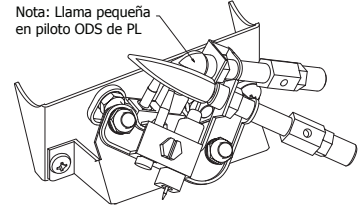


Fig. 27 - Piloto

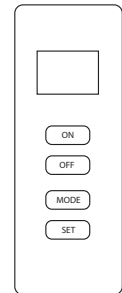



Fig. 28 - Remoto

- ⚠ ADVERTENCIA:** La rejilla de chimenea debe estar en su sitio cuando el aparato esté funcionando.
- ⚠ ADVERTENCIA:** Toda puerta de vidrio deberá estar completamente abierta mientras el calefactor esté en operación.

PARA APAGAR EL GAS AL APARATO

1. Coloque el termostato en el ajuste más bajo.
2. Presione el botón OFF en el control remoto.
3. Presione ligeramente y gire la perilla de control hacia la derecha  a la posición "OFF".

OPERACIÓN DEL CONTROL REMOTO

SISTEMA DE CONTROL REMOTO INALÁMBRICO MULTIFUNCIÓN PARA OPERAR UNA VÁLVULA SOLENOIDE DE ENGANCHE, MANUALMENTE O CON UNA FUNCIÓN DE TERMOSTATO.

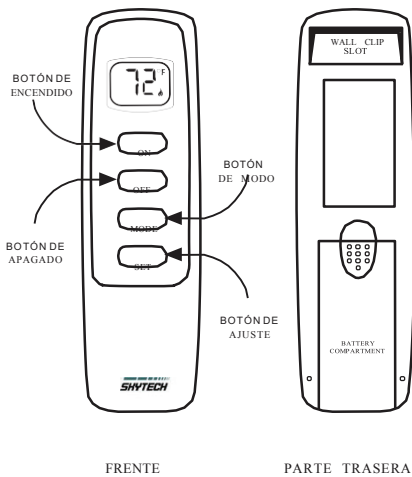
SI NO PUEDE LEER O COMPRENDER ESTAS INSTRUCCIONES DE INSTALACIÓN, NO INTENTE INSTALAR NI OPERAR

INTRODUCCIÓN

Este sistema de control remoto fue desarrollado para brindar un sistema de control remoto seguro, confiable, y fácil de usar para aparatos de calefacción a gas. El sistema es operado manualmente desde el transmisor. El sistema opera en frecuencias de radio (RF) dentro de un rango de 20 pies usando señales no direccionales. El sistema opera en uno de 1,048,576 códigos de seguridad que son programados en el transmisor en la fábrica; el código del receptor del remoto debe coincidir con el del transmisor antes del uso inicial.

Consulte **SEGURIDAD DE LA COMUNICACIÓN** bajo la sección **INFORMACIÓN GENERAL**. Esta característica de seguridad apaga el aparato cuando existe una condición potencialmente insegura.

TRANSMISOR



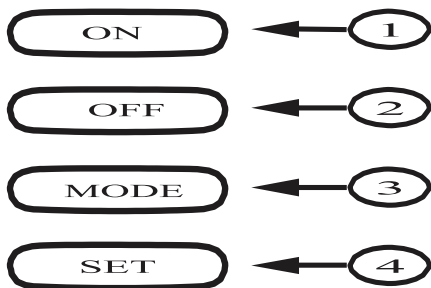
Este SISTEMA de control remoto le ofrece al usuario un control remoto operado por batería para energizar un solenoide de enganche como los usados con válvulas de gas en algunos leños a gas clasificados para calefactores, chimeneas a gas y otros aparatos de calefacción a gas.

El circuito del solenoide usa la energía de la batería del receptor para operar un solenoide. El circuito tiene un software de polaridad invertida que invierte la salida del positivo (+) y negativo (-) de la energía de la batería del receptor para activar un solenoide de enganche ON/OFF. El SISTEMA es controlado por el transmisor remoto.

El transmisor opera con (2) baterías AAA de 1.5V.

Las pilas alcalinas se deben utilizar siempre para una mayor duración y rendimiento operacional máxima. Baterías recargables no deben ser utilizados.

Antes de usar el transmisor, instale las (2) baterías AAA del transmisor en el compartimiento de las baterías. (Tenga cuidado de instalar las baterías en la dirección apropiada)

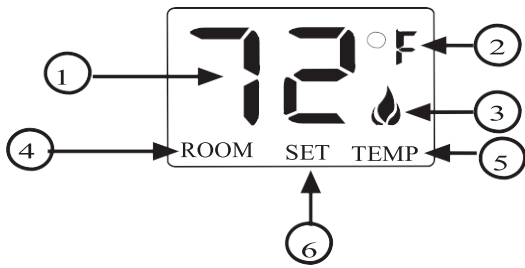


AJUSTES

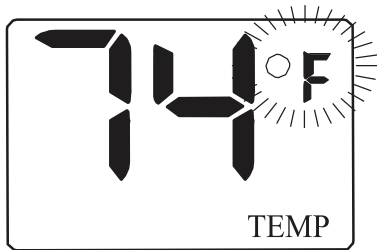
- ON - Opera la unidad en la posición On, solenoide operado manualmente ON.
- OFF - Opera la unidad en la posición Off, solenoide operado manualmente OFF.
- MODE - Cambia la unidad del modo manual al modo termo.
- SET - Ajusta la temperatura en el modo termo.

OPERACIÓN DEL CONTROL REMOTO

LCD - Pantalla de cristal líquido



1. **DISPLAY** Indica la temperatura ambiente ACTUAL
2. **° F ° C** Indica grados Fahrenheit o Celsius.
3. **FLAME** Indica quemador/válvula en operación.
4. **ROOM** Indica que el remoto está en operación TERMO.
5. **TEMP** Aparece durante la operación manual.
6. **SET** Aparece durante el tiempo del ajuste de la temperatura deseada en la operación termo.



AJUSTE DE LA ESCALA °F / °C

El ajuste de fábrica para la temperatura es °F. Para cambiar este ajuste a °C, primero

- Presione al mismo tiempo la tecla ON y la tecla OFF en el transmisor, esto cambiará de °F a °C. Siga este mismo procedimiento para cambiar de °C a °F.

FUNCIÓN MANUAL

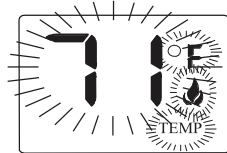
Para operar el sistema en el "MODO" manual, haga lo siguiente.

OPERACIÓN ON

Presione la tecla ON, la llama del aparato encenderá. Durante este tiempo la pantalla LCD mostrará ON, después de 3 segundos la pantalla LCD mostrará por defecto la temperatura ambiente y se mostrará la palabra TEMP. **(Aparecerá el icono de la llama en la pantalla LCD en el modo ON manual)**



PANTALLA MIENTRAS OPRIME LA TECLA ON



PANTALLA DESPUÉS DE 3 SEGUNDOS PREDETERMINADOS

OPERACIÓN OFF

Presione la tecla OFF, la llama del aparato se apagará. Durante este tiempo la pantalla LCD mostrará OF, después de 3 segundos la pantalla LCD mostrará por defecto la temperatura ambiente y se mostrará la palabra TEMP.



PANTALLA MIENTRAS OPRIME LA TECLA ON



PANTALLA DESPUÉS DE 3 SEGUNDOS PREDETERMINADOS

FUNCIÓN TERMOSTATO

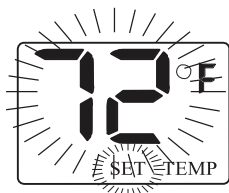
AJUSTE DE LA TEMPERATURA AMBIENTE DESEADA

Cuando se usa como un aparato decorativo ventilado, está prohibido el uso de la función del termostato, opere manualmente únicamente.

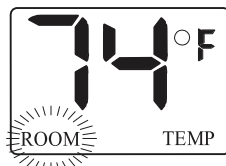
Este sistema de control remoto puede ser controlado termostáticamente cuando el transmisor está en el modo THERMO (la palabra **ROOM se debe mostrar en la pantalla**). Para ajustar el MODO THERMO y la temperatura ambiente DESEADA.

Presione la tecla MODE hasta que la pantalla LCD muestre la palabra ROOM, entonces el remoto está en el modo termostático.

Presione y sostenga la tecla SET hasta que alcance la temperatura de ajuste deseada. (Al presionar y sostener la tecla SET los números de la pantalla LCD



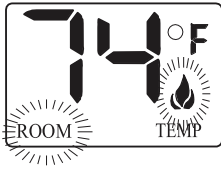
AJUSTE TERMO



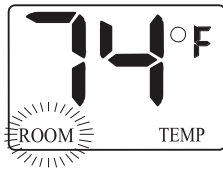
MODO TERMO

OPERACIÓN DEL CONTROL REMOTO

aumentarán de 45° a 99° luego se reinician a 45°) A continuación, suelte la tecla SET. La pantalla LCD mostrará la temperatura de ajuste durante 3 segundos y la pantalla LCD destellará la temperatura de ajuste durante 3 segundos, entonces la pantalla LCD mostrará por defecto la temperatura ambiente.



TERMO ON



TERMO OFF

TPARA CAMBIAR LA TEMPERATURA DE AJUSTE

Presione y sostenga la tecla SET hasta que alcance la temperatura de ajuste deseada. (Al presionar y sostener la tecla SET los numeros de la pantalla LCD aumentarán de 45° a 99°, luego se reinician a 45°) A continuación, suelte la tecla SET. La pantalla LCD mostrará la temperatura de ajuste durante 3 segundos, luego la temperatura de ajuste destellará durante 3 segundos, entonces la pantalla LCD mostrará por defecto la temperatura ambiente.

Presione el botón MODE para salir del modo THERMO. La palabra ROOM en la pantalla LCD no se mostrará cuando thermo no esté en operación.

NOTA: La temperatura SET más alta es 99° **Fahrenheit** (32° Celsius) y la más baja es 45° **Fahrenheit** (6° Celsius)

NOTAS OPERATIVAS:

La característica Thermo en el transmisor opera el aparato cuando la TEMPERATURA AMBIENTE varía en un cierto número de grados de la TEMPERATURA DE AJUSTE. Esta variación se llama "SWING" o TEMPERATURA DIFERENCIAL. El ciclo de operación normal de un aparato puede ser de 2 a 4 veces por hora dependiendo de qué tan bien está aislada la habitación o la casa del frío o corrientes. El ajuste de fábrica para el número "swing" es 2. Esto representa una variación de temperatura de +/- 2° F (1° C) entre la temperatura SET y la temperatura ROOM, lo que determina cuándo se activará la chimenea.

El transmisor tiene funciones manuales ON y OFF que se activan presionando cualquier botón en la carátula del transmisor. Cuando se presiona un botón en el transmisor, aparece la palabra ON u OF en la pantalla LCD para mostrar dónde se está enviando la señal. Luego del uso inicial, es posible que haya un retraso de tres segundos antes de que el receptor remoto responda al transmisor. Esto forma parte del diseño del sistema.

AJUSTE DE LA ENERGÍA – CON 1001 TH

La electrónica en el sistema de control remoto tiene la capacidad de "energizar" dos tipos diferentes de componentes accionados por DC. Si se advierte algún problema operativo, comuníquese con servicio al cliente.

El RECEPTOR viene programado de la fábrica para proporcionar voltaje DC de pulso (5.5 VDC a 6.3 VDC) a un solenoide de enganche.

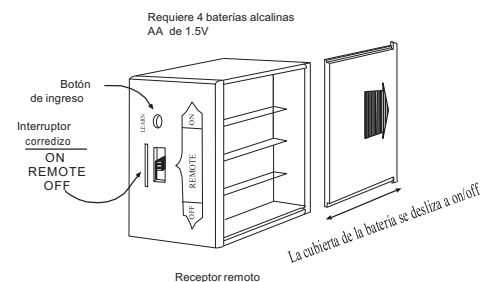
RECEPTOR REMOTO

IMPORTANTE

EL RECEPTOR REMOTO DEBE COLOCARSE DONDE LA TEMPERATURA AMBIENTE NO SEA MAYOR DE 130° F.

El receptor remoto (derecha) opera con (4) baterías AA de 1.5V. Se recomienda que se usen siempre baterías ALCALINAS para una vida más larga de las baterías y un desempeño máximo del microprocesador. **IMPORTANTE:** Es esencial que las baterías estén nuevas o completamente cargadas para un funcionamiento adecuado del receptor remoto, el consumo de energía del solenoide de enganche es sustancialmente mayor que en sistemas de control remoto estándar. Las baterías recargables no deben ser utilizados.

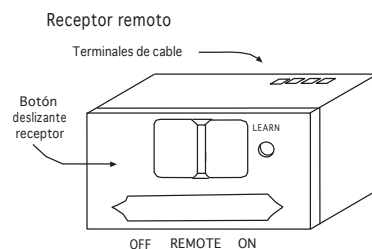
NOTA: El receptor remoto solo responderá al transmisor cuando el botón deslizante de 3 posiciones en el receptor remoto esté en la posición REMOTO. El receptor remoto alberga al microprocesador que responde a comandos del transmisor para controlar la operación del sistema.



OPERACIÓN DEL CONTROL REMOTO

FUNCIONES:

- Cuando el interruptor corredizo está en la posición REMOTE, el sistema solo funcionará si el receptor remoto recibe comandos del transmisor.
- Luego del uso inicial o después de un periodo prolongado de no uso, es posible que el botón ON se tenga que presionar durante tres segundos antes de activar el servomotor. Si el sistema no responde al transmisor con el uso inicial, consulte COMO INGRESAR EL TRANSMISOR AL RECEPTOR
- Con el interruptor corredizo en la posición ON, puede encender manualmente el sistema.
- Con el interruptor corredizo en la posición OFF, el sistema se apaga.
- Se sugiere que el interruptor corredizo se coloque en la posición OFF si estará lejos de casa durante un periodo prolongado de tiempo.
- Al colocar el interruptor corredizo en la posición OFF también funciona como un "bloqueo" de seguridad ya sea apagando el sistema o volviendo inoperativo el transmisor.



INSTRUCCIONES DE INSTALACIÓN

ADVERTENCIA

NO CONECTE EL RECEPTOR REMOTO DIRECTAMENTE A CORRIENTE DE 110-120VAC. ESTO QUEMARA EL RECEPTOR. SIGA LAS INSTRUCCIONES DEL FABRICANTE DE LA VALVULA DE GAS PARA CORREGIR PROCEDIMIENTOS DE CABLEADO. LA INSTALACION INADECUADA DE LOS COMPONENTES ELECTRICOS PUEDE CAUSAR DANOS A LA VALVULA DE GAS Y AL RECEPTOR REMOTO.

INSTALACIÓN

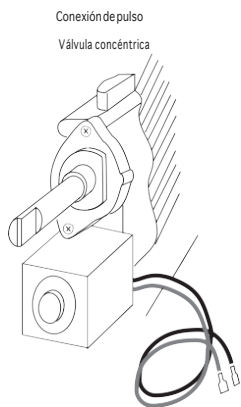
El receptor remoto se puede montar en o cerca de la chimenea. ES MUY IMPORTANTE LA PROTECCIÓN CONTRA EL CALOR EXTREMO. Como con cualquier equipo electrónico, el receptor remoto debe mantenerse lejos de temperaturas que superen los 130° F dentro de la caja del receptor. La vida de las baterías se acorta significativamente si se exponen a altas temperaturas.

MONTAJE DE LA CHIMENEA

El receptor remoto se puede colocar en la chimenea o debajo de ella, detrás del panel de acceso al control. Colóquelo donde la temperatura ambiente dentro de la caja del receptor no supere los 130° F. NOTA: El botón negro es usado para aplicaciones de montaje de chimenea.

INSTRUCCIONES DE CABLEADO

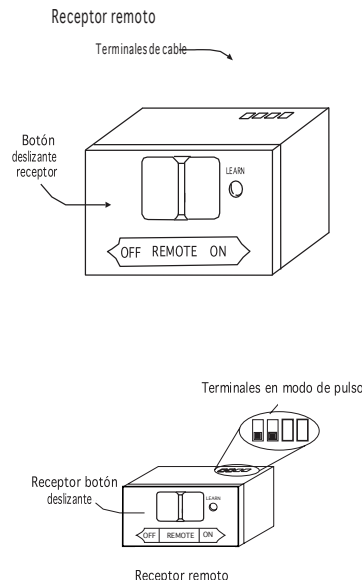
Asegúrese de que el interruptor del receptor remoto esté en la posición OFF. Para mejores resultados, se recomienda que se use cable trenzado calibre 18 para hacer las conexiones y no más largo de 20 pies.



Este receptor remoto CON1001 TH se conectará a una válvula manual con un solenoide ON/OFF de enganche. Conecte dos cables trenzados o sólidos calibre 18 desde las terminales del receptor remoto al solenoide de enganche. (Vea la figura a la derecha)

NOTA IMPORTANTE: La operación de este control depende de cuál cable está conectado a cuál terminal. Si la operación del control no corresponde a los botones de operación en el transmisor, invierta la instalación del cable en el receptor o en el control.

NOTA: Hasta 6, V CC de la energía se proporciona en el terminal receptor



OPERACIÓN DEL CONTROL REMOTO

INFORMACIÓN GENERAL

COMUNICACIÓN – SEGURIDAD– TRANSMISOR – (C/S – TX)

Este control remoto tiene una función de COMUNICACIÓN-SEGURIDAD incorporada en su software. Proporciona un margen extra de seguridad cuando el TRANSMISOR está fuera del rango de operación normal de 20 pies del receptor.

La característica COMUNICACIÓN-SEGURIDAD opera en la manera siguiente, en todos los MODOS DE OPERACIÓN - ON/ ON THERMO.

En todo momento y en todos los MODOS DE OPERACIÓN, el transmisor envía una señal de radio frecuencia cada quince (15) minutos, al receptor, indicando que el transmisor está dentro del rango normal de operación de 20 pies. En caso de que el receptor NO reciba una señal del transmisor cada 15 minutos, el software IC, en el RECEPTOR comenzará una función de tiempo de conteo de 2 HORAS (120 minutos). Si durante un periodo de 2 horas el receptor no recibe una señal del transmisor, el receptor apagará el aparato que está siendo controlado por el receptor. El RECEPTOR emitirá entonces una serie de "bips" durante un periodo de 10 segundos. Después de 10 segundos de bips rápidos, el RECEPTOR continuará emitiendo un "bip" único cada 4 segundos hasta que se presione un botón ON o MODE del transmisor para reajustar el receptor. El pitido intermitente de 4 segundos se mantendrá hasta que las baterías del receptor se agoten lo que podría ser más de un año.

Para "reajustar" el RECEPTOR y operar el aparato, debe presionar el botón ON o MODE del transmisor. Al ENCENDER el sistema, la operación de COMUNICACIÓN-SEGURIDAD se anulará y el sistema regresará a operación normal dependiendo del MODO seleccionado en el transmisor. La característica de COMUNICACIÓN-SEGURIDAD se reactivará en caso de que el transmisor se salga del rango de operación normal o que las baterías del transmisor fallen o se quiten.

CARACTERÍSTICA CP (A PRUEBA DE NIÑOS)

Este control remoto incluye una característica de "LOCK-OUT" (CIERRE) A PRUEBA DE NIÑOS que le permite al usuario "CERRAR" la operación del aparato, del TRANSMISOR.

CONFIGURACIÓN DEL "CIERRE" –(CP)

- Para activar la característica de "CIERRE", presione y sostenga el botón ON y el botón MODE al mismo tiempo durante 5 segundos. Las letras CP aparecerán en el marco de TEMP en la pantalla LCD.
- Para desconectar "CIERRE", presione y sostenga el botón ON y el botón MODE al mismo tiempo durante 5 segundos y las letras CP desaparecerán de la pantalla LCD y el transmisor regresará a su condición de operación normal.
- Para comprobar que el transmisor está en el modo de cierre CP, presione cualquier tecla y la pantalla LCD mostrará "CP".

NOTA: Si el aparato ya está operando en los modos ON o THERMO, conectar el "CIERRE" no cancelará la operación.

MODO Al conectar el "CIERRE" evita solo la operación manual del TRANSMISOR. Si está en el modo auto, la operación THERMO continuará operando normalmente. Para "CERRAR" totalmente la operación de las señales de operación del TRANSMISOR, el MODO del transmisor debe colocarse en OFF.

COMO INGRESAR EL TRANSMISOR AL RECEPTOR

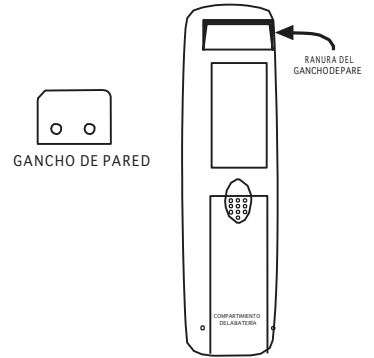
Cada transmisor usa un código de seguridad único. Será necesario presionar el botón LEARN en el receptor para aceptar el código de seguridad del transmisor luego del uso inicial, si se reemplazan las baterías, o si se compra un transmisor de repuesto a su tienda minorista o a la fábrica. Para que el receptor acepte el código de seguridad del transmisor, asegúrese de que el botón lateral en el receptor esté en la posición REMOTE; el receptor no SABRÁ (LEARN) si el interruptor deslizante está en la posición ON u OFF. El botón LEARN está ubicado en la carátula frontal del receptor, dentro del agujero pequeño etiquetado LEARN. Usando un destornillador pequeño o el extremo de un sujetapapeles presione suavemente y libere el botón LEARN negro dentro del agujero. Cuando suelte el botón LEARN el receptor emitirá un "bip" audible. Después de que el receptor emita un bip, presione el botón ANY del transmisor y suelte. El transmisor emitirá varios bips indicando que el código del transmisor ha sido aceptado en el receptor.

El microprocesador que controla el procedimiento de coincidencia del código de seguridad es controlado por una función de tiempo. Si no logra hacer coincidir el código de seguridad en el primer intento, espere de 1 a 2 minutos antes de intentarlo de nuevo, este retraso le permite al microprocesador reiniciar su circuitería del temporizador, e inténtelo de dos a tres veces más.

OPERACIÓN DEL CONTROL REMOTO

GANCHO DE PARED DEL TRANSMISOR

El transmisor se puede colgar de la pared usando el gancho provisto. Si el gancho se instala en una pared sólida, perforo agujeros piloto de 1/8 pulg. e instalelo con los tornillos provistos. Si está instalado en una pared de yeso/tablero, primero perforo agujeros de 1/4 pulg. en la pared.



VIDA DE LA BATERÍA

Cambie todas las pilas con regularidad. Cuando el emisor no pueda controlar el receptor remoto desde una distancia lo hizo anteriormente (es decir, el alcance del transmisor ha disminuido) o el receptor remoto no funciona en absoluto, las baterías deben ser controlados. Es importante que las baterías para el receptor remotos están completamente cargadas, proporcionando tensión de salida combinada de al menos 5.5volts. El transmisor de mano debe operar con un mínimo de 2,5 voltios de la batería.

RESOLUCIÓN DE FALLAS

Si tiene problemas con su sistema de chimenea, el problema podría ser la chimenea misma o el sistema remoto CON1001-TH. Revise el manual de operación del fabricante para asegurarse de que todas las conexiones se hicieron apropiadamente. Luego revise el funcionamiento del remoto en la siguiente manera:

- Asegúrese de que las baterías estén instaladas correctamente en el RECEPTOR. Una batería invertida evitará que el receptor funcione adecuadamente.
- Revise las baterías en el TRANSMISOR para asegurarse de que los contactos están tocando los extremos (+) y (-) de la batería. Doble los contactos de las baterías para un mejor ajuste.
- Asegúrese RECEPTOR y el TRANSMISOR está dentro de 20 pies de rango de operación..
- Limpiar códigos: La memoria en el receptor podría estar llena si el botón APRENDER se ha presionado demasiadas veces. Si esto pasa, no permitirá que ningún código se ingrese y no se escuchará ningún bip audible. Para limpiar la memoria, coloque el interruptor deslizante del receptor en la posición REMOTO. Presione el botón APRENDER y suéltelo después de 10 segundos. Debe escuchar tres (3) bips audibles largos indicando que todos los códigos se han limpiado. Ahora puede "ingresar" el transmisor en el receptor como se describió en la sección Información General.
- Evite que el RECEPTOR se exponga a temperaturas mayores de 130° F. La vida de las baterías se acorta cuando las temperaturas ambiente son mayores de 115° F.
- Si el RECEPTOR está instalado en entornos de metal herméticamente cerrados, se acortará la distancia de operación.
- Las baterías recargables no deben ser utilizados. Ellos no suministran energía suficiente para hacer funcionar el sistema remoto.

ESPECIFICACIONES

BATERÍAS: Transmisor (2) baterías AAA de 1.5 voltios
Receptor remoto 6V - 4 ea. Alcanlinas AA 1.5

Números de identificación FCC: transmisor - K9LSP1001TH; receptor- K9L330IRX

FRECUENCIA DE FUNCIONAMIENTO 303.8 MHZ

Números de identificación IC canadienses: transmisor – 2439A-SP1001TH; receptor– 2439A-3301RX

REQUISITOS FCC

NOTA: EL FABRICANTE NO ES RESPONSABLE DE NINGUNA INTERFERENCIA DE RADIO O TV CAUSADA POR MODIFICACIONES NO AUTORIZADAS A ESTE EQUIPO. DICHAS MODIFICACIONES PODRÍAN ANULAR LA AUTORIDAD DEL USUARIO PARA OPERAR EL EQUIPO.

OPERACIÓN

INSPECCIÓN DE LOS QUEMADORES

Revise con frecuencia el patrón de la llama del piloto y los patrones de la llama del quemador.

PATRÓN DE LA LLAMA DEL PILOTO

La Figura 29 muestra un patrón correcto de la llama del piloto. La Figura 30 muestra un patrón incorrecto de la llama del piloto. La llama incorrecta del piloto no está tocando el termopar. Esto hará que el termopar se enfríe. Cuando el termopar se enfríe, el calefactor se apagará.

Si el patrón de la llama del piloto es incorrecto, como se muestra en la Figura 30.

- apague el calefactor (ver "Apagar el gas al aparato," página 24).
- consulte Resolución de fallas, página 34.

Fig. 29 - Patrón correcto de llama piloto

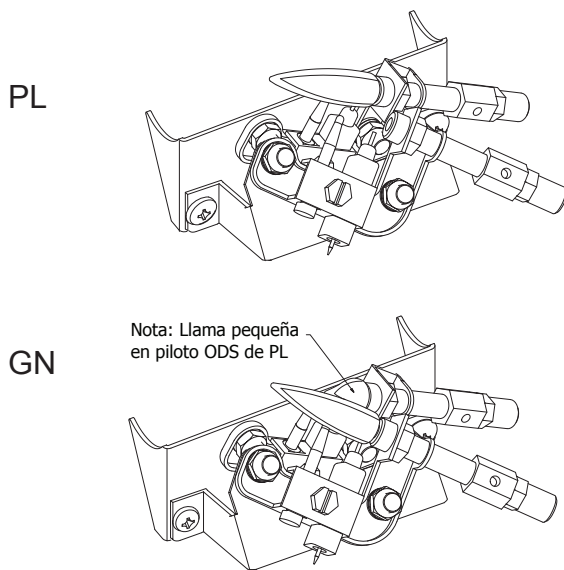
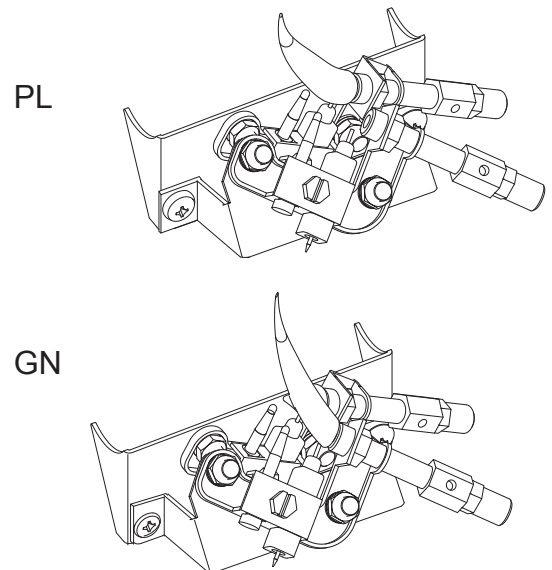


Fig. 30 - Patrón incorrecto de llama piloto



⚠ ADVERTENCIA: No permita que los ventiladores soplen directamente al calefactor. Evite corrientes que alteren los patrones de la llama del quemador.

⚠ ADVERTENCIA: No use un inserto de soplador, inserto de intercambiador de calor ni otro accesorio no aprobado para uso con este calefactor.

CUIDADO Y MANTENIMIENTO

PATRÓN DE LA LLAMA DEL QUEMADOR

La Figura 31 muestra un patrón correcto de la llama del quemador. La Figura 32 muestra un patrón incorrecto de la llama del quemador. El patrón incorrecto de la llama del quemador muestra puntas de llama esporádicas e irregulares. La llama no debe ser oscura ni tener un matiz anaranjado/rojizo.

Nota: Cuando use por primera vez su calefactor, la llama será anaranjada durante aproximadamente una hora hasta que los leños curen.

Si el patrón de la llama del quemador es incorrecta, como se muestra en la Figura 32.

- apague el calefactor (ver "Apagar el gas al aparato," página 24).
- consulte Resolución de fallas, página 34.

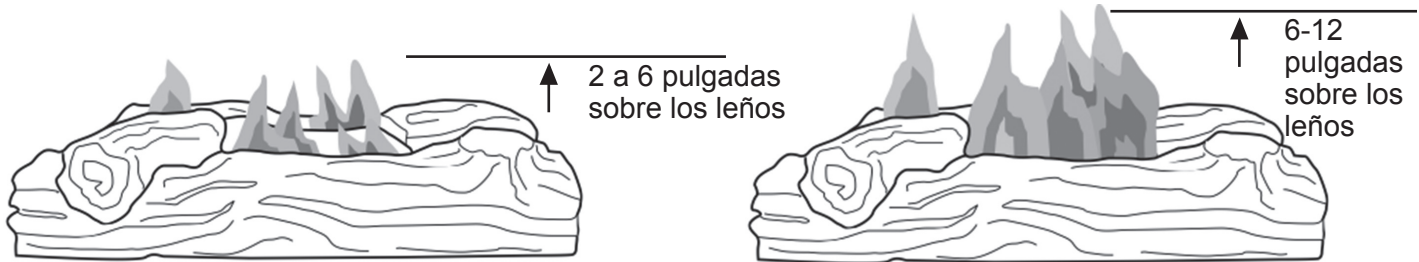


Fig. 31 - Patrón correcto/normal de la llama con llamas cortas

Fig. 32 - Patrón incorrecto/anormal de la llama con llamas altas

⚠ ADVERTENCIA: Apague el calefactor y deje que se enfríe antes de darle servicio.

⚠ PRECAUCIÓN: Debe mantener limpias las áreas de control, el quemador y los pasillos de aire circulante del calefactor. Inspeccione estas áreas del calefactor antes de cada uso. Haga que una persona de servicio calificada inspeccione el calefactor anualmente. El calefactor puede necesitar limpieza frecuente debido a pelusa en exceso proveniente de alfombras, ropa de cama, pelo de mascotas, etc.

⚠ ADVERTENCIA: No mantener limpias las aberturas de aire primario del quemador puede resultar en generación de hollín y daños a la propiedad.

PORTA ORIFICIO DEL QUEMADOR Y AGUJERO DE ENTRADA DE AIRE DEL PILOTO

Los agujeros de entrada de aire primario permiten que entre la cantidad apropiada de aire para que se mezcle con el gas. Esto produce una llama limpia. Mantenga estos agujeros libres de polvo, suciedad, pelusa y pelo de mascotas. Limpie estos agujeros de entrada de aire antes de cada estación de calefacción. Los agujeros de aire bloqueados crearán hollín. Recomendamos que limpie la unidad cada tres meses durante la operación y que haga que una persona de servicio calificada inspeccione el calefactor anualmente.

También recomendamos que mantenga el tubo del quemador y el ensamblaje del piloto limpios y libres de polvo y suciedad. Para limpiar estas piezas, recomendamos usar aire comprimido a no más de 30 PSI. Su tienda de computadoras local, tienda de herrajes o centro del hogar pueden tener aire comprimido en una lata. Si usa aire comprimido en una lata, siga las instrucciones en la lata. Si no sigue las instrucciones en la lata, podría dañar el ensamblaje del piloto.

PARA APLICACIONES VENTILADAS

Una agencia calificada debe hacer una revisión y limpieza periódicas del sistema de ventilación y de la chimenea para quemar combustible sólido, incluyendo la frecuencia de tal revisión y la limpieza.

CUIDADO Y MANTENIMIENTO

1. Apague la unidad incluyendo el piloto. Deje que la unidad se enfríe durante 30 minutos.
2. Inspeccione el quemador, el piloto y los agujeros de entrada de aire primario en el porta orificio en busca de polvo y suciedad (Ver Fig. 33).
3. Sople aire a través de los puertos/ranuras y agujeros en el quemador.
4. Revise otra vez el porta orificio localizado en el extremo del tubo del quemador. Retire las partículas grandes de polvo, suciedad, pelusa o pelo de mascotas con un paño suave o con una aspiradora.
5. Sople aire en los agujeros de aire primario en el porta orificio.
6. En caso de que masas grandes de polvo hayan sido ahora empujadas dentro del quemador, repita los pasos 3 y 4. Limpie también el ensamblaje del piloto. Una punta amarilla en la llama del piloto indica polvo y suciedad en el ensamblaje del piloto. Hay un pequeño agujero de entrada de aire del piloto de cerca de 2 pulg. desde donde la llama del piloto sale del ensamblaje del piloto (ver Figuras 34 o 35 dependiendo del modelo). Con la unidad apagada, sople aire ligeramente a través del agujero de entrada de aire. Puede soplar con una pajilla si no se encuentra disponible aire comprimido.

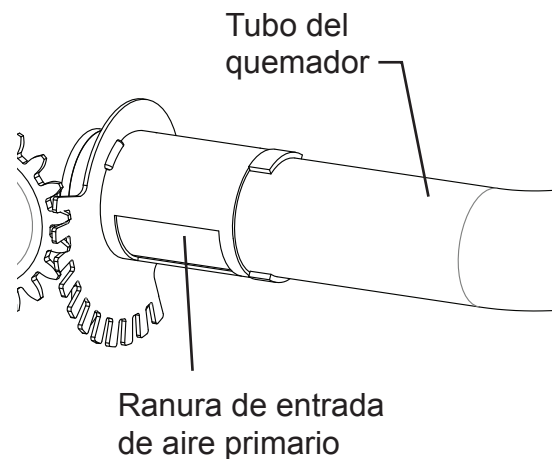


Fig. 33 - Ranura de entrada de aire primario en el tubo del quemador

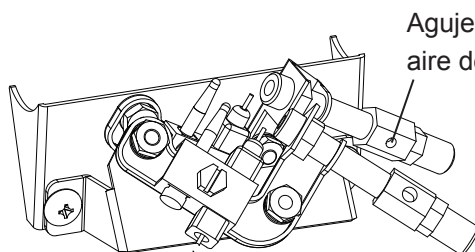


Fig. 34 - Agujero de entrada de aire del piloto (Propano/Gas PL)

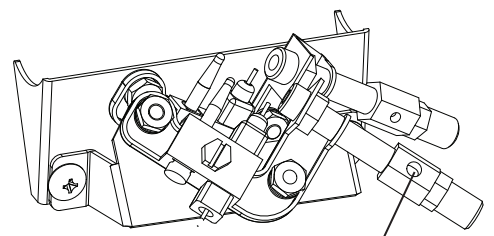


Fig. 35 - Agujero de entrada de aire del piloto (Gas natural)

CONJUNTO DE LEÑOS

- Si retira el conjunto de leños para limpieza, consulte la página 21 para obtener instrucciones de colocación.
- Reemplace el conjunto de leños si están rotos o astillados (del tamaño de una moneda de 10 centavos o más grandes).

GABINETE

Pasillos de aire

Use una aspiradora o aire presurizado para limpieza.

Exterior

Use un paño suave humedecido con una mezcla de jabón suave y agua. Limpie el gabinete para eliminar el polvo.

RESOLUCIÓN DE FALLAS

- ⚠️ ADVERTENCIA:** Si huele gas:
- Apague el suministro de gas.
 - No trate de encender ningún aparato.
 - No toque ningún interruptor eléctrico; no use ningún teléfono en su edificio.
 - Llame de inmediato a su proveedor de gas del teléfono de un vecino. Siga las instrucciones del proveedor de gas.
 - Si no puede contactar a su proveedor de gas, llame al Cuerpo de Bomberos

IMPORTANTE: La operación del calentador donde existan impurezas en el aire puede crear malos olores. Los suministros de limpieza, pintura, removedor de pintura, humo de cigarrillo, cementos y pegamentos, alfombra nueva o textiles, etc. crean humos. Estos humos pueden mezclarse con el aire de la combustión y crear malos olores.

- ⚠️ ADVERTENCIA:** Asegúrese de que la energía esté apagada antes de proceder.
- ⚠️ ADVERTENCIA:** Apague el calefactor y deje que se enfríe antes de darle servicio. Solo una persona de servicio calificada debe dar servicio y reparar el calefactor.
- ⚠️ PRECAUCIÓN:** Nunca use un alambre, aguja u objeto similar para limpiar el ODS/piloto. Esto puede dañar la unidad del ODS/ piloto.

CONSEJOS DE SERVICIO

Cuando la presión del gas es demasiado baja.

- el piloto no se mantiene encendido
 - los quemadores tienen ignición retrasada
 - el calefactor no producirá el calor especificado
 - para unidades de propano/PL, el suministro de gas propano/PL puede estar bajo
- Usted puede sentir que la presión del gas está demasiado baja. Si es así, póngase en contacto con su proveedor local de gas natural o propano/PL.

PROBLEMA	CAUSA POSIBLE	ACCIÓN CORRECTIVA
Hay un sonido de pulverización catódica viene del propano líquido ese piloto es una molestia. Cuando funcionen con gas natural (GN) y el piloto GN es iluminado.	1. El uso de Gas Natural.	1. Llame a nuestro departamento de servicio.
Cuando se oprime el encendedor, no hay chispa en el ODS/piloto.	1. El electrodo del encendedor está colocado de forma incorrecta. 2. El electrodo del encendedor está roto. 3. El electrodo del encendedor no está conectado al cable del encendedor. 4. El cable del encendedor está aplastado o húmedo. 5. Cable del encendedor dañado. 6. Piezo encendedor malo. 7. Batería mala.	1. Reemplace el electrodo. 2. Reemplace el electrodo. 3. Reemplace el cable del encendedor. 4. Libere el cable del encendedor si está aplastado por algún metal o tubería. Mantenga seco el cable del encendedor. 5. Reemplace el cable del encendedor. 6. Reemplace el piezo encendedor. 7. Revise y reemplace las baterías si es necesario.
Cuando el botón del encendedor se oprime, hay una chispa en el ODS/ piloto pero no ignición.	1. El suministro de gas está apagado o la válvula de cierre del equipo está cerrada. 2. La perilla de control no está completamente oprimida mientras se presiona el botón del encendedor. 3. Aire en las líneas de gas cuando se instalaron. 4. El ODS / piloto está obstruido. 5. El ajuste del regulador de gas no es el correcto. 6. La perilla de control no está en la posición PILOT. 7. Suministro de gas agotado (propano).	1. Encienda el suministro de gas o abra la válvula de cierre del equipo. 2. Oprima por completo la perilla de control mientras presiona el botón del encendedor. 3. Continúe oprimiendo la perilla de control. Repita la operación de ignición hasta que el aire sea removido. 4. Limpie el ODS/piloto (ver Cuidado y Mantenimiento, páginas 25 y 26 o reemplace el ensamblaje del ODS/piloto. 5. Reemplace el regulador de gas. 6. Gire la perilla de control a la posición "PILOT" . 7. Póngase en contacto con la compañía local de propano/Gas PL.

RESOLUCIÓN DE FALLAS

PROBLEMA	CAUSA POSIBLE	ACCIÓN CORRECTIVA
El ODS/piloto enciende pero la llama se apaga cuando la perilla de control se suelta.	<ol style="list-style-type: none"> 1. La perilla de control no está completamente presionada. 2. La perilla de control no está presionada suficiente tiempo. 3. La válvula de cierre del equipo no está completamente abierta. 4. La conexión del termopar está floja. 5. Termopar dañado. 6. Válvula de control dañada. 7. Regulación gas incorrecto 8. La presión del gas de entrada es demasiado alta. 	<ol style="list-style-type: none"> 1. Oprima por completo la perilla de control. 2. Después que enciendan el ODS/piloto, mantenga la perilla de oprimida durante 30 segundos. 3. Abra por completo la válvula de cierre del equipo. 4. Apriete a mano hasta que se ajuste y luego apriete ¼ de vuelta más. 5. Reemplace el termopar. 6. Llame a Servicio al Cliente. 7. Corregir la selección de gas. 8. Ajuste el interruptor de presión (Consulte la página 37 para obtener instrucciones).
El(los) quemador(es) no enciende(n) después de que el ODS/piloto enciende.	<ol style="list-style-type: none"> 1. El orificio del quemador está obstruido. 2. El diámetro del orificio del quemador es demasiado pequeño. 3. La presión del gas de entrada es demasiado baja. 	<ol style="list-style-type: none"> 1. Limpie el ofiricio del quemador (ver Cuidado y Mantenimiento, páginas 25 y 26) o póngase en contacto con Servicio al Cliente. 2. Llame a Servicio al Cliente. 3. Llame a su proveedor de gas.
El(los) quemador(es) no enciende(n) después de que el ODS/piloto enciende. (El calefactor está armado para GN.)	<ol style="list-style-type: none"> 1. La presión del gas de entrada es demasiado alta. 	<ol style="list-style-type: none"> 1. Llame a su proveedor de gas.
Ignición retrasada del(los) quemador(es).	<ol style="list-style-type: none"> 1. La presión del distribuidor es demasiado baja. 2. El orificio del quemador está obstruido. 	<ol style="list-style-type: none"> 1. Llame a su proveedor de gas. 2. Limpie el quemador (ver Cuidado y mantenimiento, páginas 25 y 26) o llame a servicio al cliente.
Retorno de llama del quemador durante la combustión.	<ol style="list-style-type: none"> 1. El orificio del quemador está obstruido o dañado. 2. El quemador está dañado. 3. El regulador de gas está dañado. 	<ol style="list-style-type: none"> 1. Limpie el ofiricio del quemador (ver Cuidado y Mantenimiento, páginas 25 y 26 o póngase en contacto con Servicio al Cliente. 2. Llame al concesionario o servicio al cliente. 3. Reemplace el regulador de gas.
Llama amarilla alta durante la combustión del quemador.	<ol style="list-style-type: none"> 1. Aire insuficiente. 2. El regulador de gas está defectuoso. 3. La presión del gas de entrada es demasiado baja. 	<ol style="list-style-type: none"> 1. Revise el quemador en busca de suciedad y desechos. Si se encuentran, limpie el quemador (ver Cuidado y Mantenimiento, páginas 25 y 26). 2. Reemplace el regulador de gas. 3. Llame a su proveedor de gas.
Olor a gas durante la combustión.	<ol style="list-style-type: none"> 1. Material extraño entre la válvula de control y el quemador. 2. Fuga de gas. (Ver Declaración de advertencia en la parte superior de la página 27). 	<ol style="list-style-type: none"> 1. Desarme la tubería de gas y retire el material extraño. 2. Localice y corrija todas las fugas (ver "Revisión de las conexiones de gas", página 19).
El calefactor produce un chasquido/tictac justo después de que el quemador se enciende o apaga.	<ol style="list-style-type: none"> 1. El metal se expande mientras se calienta o se contrae mientras se enfría. 	<ol style="list-style-type: none"> 1. Esto es común en la mayoría de calentadores. Si el ruido es excesivo, póngase en contacto con un técnico de servicio calificado.

RESOLUCIÓN DE FALLAS

PROBLEMA	CAUSA POSIBLE	ACCIÓN CORRECTIVA
Residuo de polvo blanco que se forma dentro de la caja del quemador o en paredes adyacentes o muebles.	1. Cuando se calientan, los vapores del pulidor de muebles, cera, limpiadores de alfombra, ect. se convierten en residuo de polvo blanco.	1. Apague el calefactor cuando use pulidor de mueble, cera, limpiador de alfombra o productos similares.
El calefactor produce olores indeseados.	1. El calefactor está quemando vapores de pintura, spray para el cabello, pegamentos, etc. Ver declaración IMPORTANTE, página 27. 2. Fuga de gas. Ver Declaración de advertencia, página 27. 3. Bajo suministro de combustible.	1. Ventile la habitación. Deje de usar productos que producen olor mientras el calefactor está funcionando. 2. Localice y corrija todas las fugas (ver "Revisión de las conexiones de gas", página 19). 3. Llène el tanque se suministro (Modelos de Propano /PL).
El calefactor se apaga en uso (opera el ODS).	1. No está disponible suficiente aire fresco. 2. Presión de línea baja. 3. El ODS / piloto está parcialmente obstruido. 4. La presión del gas de entrada es demasiado alta.	1. Abra la ventana y/o puerta para ventilación. 2. Llame a su proveedor local de gas. 3. Limpie el ODS/piloto (ver Cuidado y Mantenimiento, páginas 25 y 26). 4. Ajuste el interruptor de presión (Consulte la página 37 para obtener instrucciones).
Hay olor a gas incluso cuando la perilla de control está en la posición OFF.	1. Fuga de gas. Ver Declaración de advertencia en la parte superior de la página 27. 2. La válvula de control está defectuosa.	1. Localice y corrija todas las fugas (ver "Revisión de las conexiones de gas", página 19). 2. Llame a Servicio al Cliente.
Se advierte humedad/ condensación en las ventanas.	1. El aire de combustión/ ventilación es insuficiente.	1. Consulte requisitos de "Aire para combustión y ventilación", página 9.
Humo u olor escasos durante la operación inicial.	1. Residuos del proceso de fabricación.	1. El problema terminará después de unas pocas horas de operación.
El calefactor produce un silbido cuando el calefactor está encendido.	1. Girar la perilla de control a la posición (5) alta cuando el quemador está frío. 2. Aire en la línea de gas. 3. Los pasillos de aire en el calefactor están obstruidos. 4. Orificio del quemador sucio o parcialmente obstruido.	1. Girar la perilla de control a la posición (1) baja y deje que caliente durante un minuto. 2. Opere el quemador hasta que el aire sea removido de la línea. Haga que la línea de gas la revise la compañía local de propano/gas PL. 3. Respete los espacios libres mínimos de instalación (Fig. 5,6, 7, 8 páginas 13 y 14). 4. Limpie el quemador (ver Cuidado y mantenimiento, páginas 25 y 26) o llame a servicio al cliente.

SOLUCIÓN DE PROBLEMAS: AJUSTE DEL VALOR DE CONSIGNA DEL PRESOSTATO

AGENCIA DE INSTALACIÓN CALIFICADA

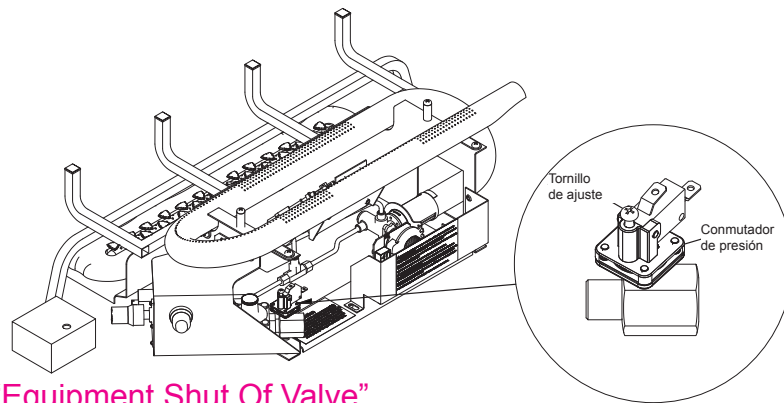
Solo una agencia calificada debe efectuar la instalación y el reemplazo de las tuberías de gas, del equipo o los accesorios en que se utiliza gas, y la reparación y el mantenimiento del equipo. El término “agencia calificada” hace referencia a toda persona, empresa, corporación o compañía que, ya sea personalmente o a través de un representante, se dedica a las siguientes tareas y es responsable de realizarlas:

- Instalar, probar o reemplazar las tuberías de gas.
- Conectar, instalar, probar o reparar el equipo, o realizar en él tareas de mantenimiento. La agencia debe tener experiencia en estos trabajos, estar familiarizada con todas las precauciones necesarias, y debe haber cumplido con todos los requisitos de la autoridad competente.

AJUSTE DEL VALOR DE CONSIGNA DEL PRESOSTATO:

- Asegúrese de que la perilla de la válvula de control está en la posición OFF y el interruptor del receptor remoto (si existe) en la posición OFF ! Busque el interruptor de presión en el aparato (Fig. 36).

Fig. 36

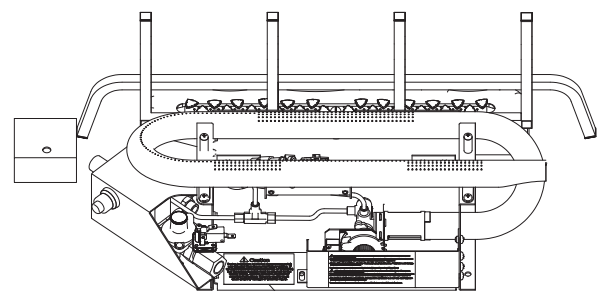


- Turn OFF the gas at the “Equipment Shut Of Valve”.
- Turn the Control Valve Knob to the “Pilot” position and Depress the knob for 5 seconds. Return the Control Valve Knob to the “OFF” position. (This step depressurizes the appliance’s internal gas line.)
- With a Philip’s head screw driver turn the adjustment screw on the Pressure Switch clockwise 2 full revolutions (Fig. 36).
- Turn ON the gas at the “Equipment Shut Of Valve”
- Light the unit as instructed in the Owner’s Manual or Hang Tags located on the back of the unit and determine if this fixes the pilot outage problem. If the problem persists, turn the Control Valve Knob to the OFF position and repeat Steps 1 through 4 turning the pressure switch adjustment screw one revolution at a time until the appliance functions normally.
- Una vez ajustado el valor de consigna del presostato, es posible que el artefacto no funcione correctamente si alguna vez la unidad se vuelve a instalar en un sistema que funciona a propano líquido (combustible propano). La etiqueta “PRECAUCIÓN” (Fig. 37) está incluida en el juego de piezas metálicas. Antes de finalizar la instalación, debe colocar la etiqueta “PRECAUCIÓN” en el artefacto (Fig. 38).

CAUTION!

During installation to NG fuel the Pressure Switch was adjusted from the normal factory setting. If this appliance is EVER reinstalled with LP (Propane) fuel the Pressure Switch must be returned to the factory setting. See the Owner’s Manual for complete instructions. Failure to do this could cause property damage or personal injury.

Fig. 37 – Etiqueta de precaución



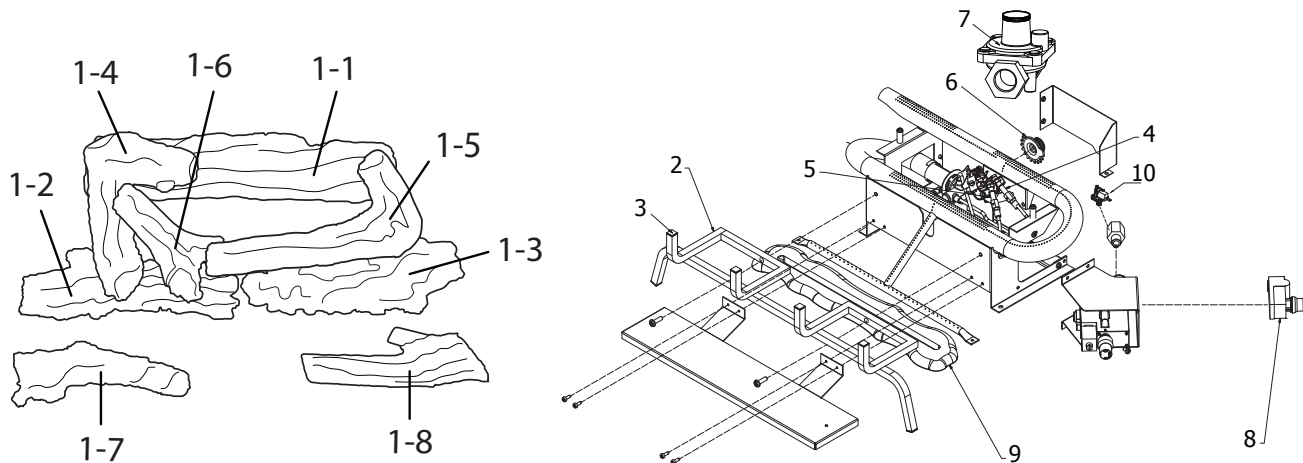
Ubicación de la etiqueta de precaución

Fig. 38 - Ubicación de la etiqueta de precaución (vista de la parte trasera de la unidad)

- NOTA:** Si alguna vez este artefacto se vuelve a instalar en un sistema que funciona a combustible propano (propano líquido), el tornillo de ajuste del presostato se debe retirar por completo y luego se debe volver a colocar dándole tres vueltas completas.

LISTA DE PIEZAS DE REPUESTO

Para piezas de repuesto, llame a nuestro departamento de servicio técnico al 1-877-447-4768, de lunes a viernes, de 8:30 a.m. a 4:30 p.m., hora estándar del Centro.



NÚM. DE ARTÍCULO	DESCRIPCIÓN	CANTIDAD	NÚMERO DE PIEZA	
			VFL-VO24DR VFL-RO24DR	VFL-VO30DR VFL-RO30DR
1	Conjunto de leños (completo)	1	80-06-045	80-06-046
1-1	Leño 1	1	4UB2A	4UB3A
1-2	Leño 2	1	H-010A	H-003A
1-3	Leño 3	1	H-010B	H-003B
1-4	Leño 4	1	H-0075	H-0075
1-5	Leño 5	1	H-0139	H-0139
1-6	Leño 7	1	H-0812	H-0812
1-7	Leño 6	1	H-0370	H-0370
1-8	Leño 8	1	H-0356	H-0356
2	Rejilla	1	800-EB2410	800-EB3010
3	Tapa del extremo de la rejilla	1	EXP-4509	EXP-4509
4	Piloto ODS	1	80857863	80857863
5	Piloto ODS-GN	1	80857872	80857872
6	Perilla del selector	1	EXP-4022B	EXP-4022B
7	Regulador	1	EXP-7010	EXP-7010
8	Módulo del encendedor	1	EXP-4044	EXP-4044
9	Cama de brazas	1	EXP-4519	EXP-4519
10	Interruptor de Presion ajustable-10"	1	80-05-107	80-05-107
11	Receptor Remoto	1	80-05-102*	80-05-102*
12	Remoto del termostato	1	80-05-101*	80-05-101*

*Artículo/versión no mostrado en el diagrama esquemático de piezas

ACCESORIOS

AVISO: Es posible que no estén disponibles todos los accesorios para todos los modelos de chimenea.

Fibras de brazas incandescentes - GEF100 Para todos los modelos. El material simula brazas incandescentes cuando la unidad está en operación. Crea un efecto incandescente realista justo como en un fuego real.

Garantía

GARANTÍA LIMITADA:

Esta garantía limitada se extiende al comprador original al por menor de este calefactor y garantiza contra cualquier defecto en materiales y mano de obra durante un periodo de dos (2) años a partir de la fecha de venta al por menor. GHP Group, Inc., a su opción, proporcionará piezas de reemplazo o reparará la unidad cuando sea devuelta apropiadamente a la tienda minorista donde se compró o a uno de nuestros centros de servicio como lo indica GHP Group, Inc., dentro de dos (2) años a partir de la compra al por menor. (Los costos de envío, costos de mano de obra, etc. son responsabilidad del comprador.)

DEBERES DEL PROPIETARIO:

Este aparato de calefacción debe ser operado de acuerdo con las instrucciones escritas proporcionadas con este calefactor. Esta garantía no excusa al propietario de darle mantenimiento apropiado a este calefactor de acuerdo con las instrucciones escritas proporcionadas con este calefactor. Debe conservarse un recibo, cheque cancelado o registro de pago para comprobar la fecha de compra y establecer el periodo de la garantía. Debe conservarse la caja original en caso de retorno de garantía de la unidad.

LO QUE NO ESTÁ CUBIERTO:

1. Daños que resulten del uso de combustible inapropiado.
2. Daños causados por mal uso o uso contrario al manual de propietario y pautas de seguridad.
3. Daños causados por falta de mantenimiento normal.
4. Uso de piezas o accesorios no estándar.
5. Daños causados durante el tránsito. Los cargos por flete sobre las piezas de la garantía o calefactores hacia y desde la fábrica serán responsabilidad del propietario.

Esta garantía no implica ni asume ninguna responsabilidad por daños consecuentes que puedan resultar del uso, mal uso o falta de mantenimiento rutinario de este aparato de calefacción. Se puede cargar un cargo por limpieza y el costo de las piezas para fallas del aparato que resulten de la falta de mantenimiento. Esta garantía no cubre reclamos que no involucren mano de obra o materiales defectuosos. **NO REALIZAR EL MANTENIMIENTO GENERAL (INCLUYENDO LA LIMPIEZA) ANULARÁ ESTA GARANTÍA.**

ESTA GARANTÍA LIMITADA SE LE DA AL COMPRADOR EN LUGAR DE TODAS LAS OTRAS GARANTÍAS, EXPRESAS O IMPLÍCITAS, INCLUYENDO PERO NO LIMITADAS A LAS GARANTÍAS DE COMERCIALIZACIÓN O IDONEIDAD PARA UN PROPÓSITO PARTICULAR. LA REPARACIÓN PROPORCIONADA EN ESTA GARANTÍA ES EXCLUSIVA Y SE OTORGA EN LUGAR DE TODAS LAS OTRAS REPARACIONES. EN NINGÚN CASO GHP GROUP, INC. SERÁ RESPONSABLE DE NINGÚN DAÑO INCIDENTAL O CONSECUENTE.

Algunos estados no permiten limitaciones sobre cuánto debe durar una garantía, por lo tanto las limitaciones anteriores podrían no aplicar a usted. Algunos estados no permiten la exclusión o la limitación de los daños incidentales o consecuentes, por lo tanto, es posible que la exclusión o las limitaciones antes indicadas no correspondan a usted.

LOS RECLAMOS SE MANEJAN COMO SIGUE:

1. Póngase en contacto con su tienda minorista y explique el problema.
2. Si la tienda minorista no puede resolver el problema, póngase en contacto con el Departamento de Servicio al Cliente detallando el modelo del calefactor, el problema y la prueba de la fecha de compra.
3. Un representante se pondrá en contacto con usted. NO DEVUELVA EL CALEFACTOR A GHP GROUP, INC. a menos que se lo indique nuestro representante. Esta garantía le otorga derechos legales específicos y también puede tener otros derechos que varían de un estado a otro.

PARA REGISTRAR ESTA GARANTÍA SOBRE SU CALEFACTOR, LLENE ESTA TARJETA POR COMPLETO Y ENVÍELA POR CORREO 14 DÍAS DESPUÉS DE LA FECHA DE COMPRA O REGÍSTRESE EN LÍNEA EN www.ghpgroupinc.com

NOMBRE _____ TELÉFONO: () _____ CORREO ELÉCTRÓNICO: _____
DIRECCIÓN: _____ CIUDAD: _____ ESTADO: _____ CÓDIGO POSTAL: _____
MODELO: _____ No. DE SERIE: _____ FECHA DE COMPRA: _____
TIENDA MINORISTA DE LA COMPRA: _____ TIPO DE TIENDA: _____
CIUDAD Y ESTADO DONDE SE HIZO LA COMPRA: _____ PRECIO PAGADO: _____

Por favor, tómese un minuto para darnos sus respuestas a las siguientes preguntas.

Todas las respuestas serán usadas únicamente para investigación de mercado y serán mantenidas en estricta confidencialidad.

¿Quién decidió principalmente esta compra? Masculino Femenino 18-24 25-39 40-59 60 y más

¿Propósito de la compra? _____

¿Posee otro calefactor portátil? Sí No Si la respuesta es Sí, tipo _____ marca _____

¿Cómo pretende usar su nuevo calefactor? Sitio de construcción Granja Bodega/Comercial Garaje/Construcción anexa otro

¿Cómo se dio cuenta de este calefactor? Exhibidor de la tienda Anuncio de periódico Anuncio de revista Amigo/Pariente

Comercial de TV Vendedor de la tienda Otro _____

¿Qué lo hizo elegir este calefactor? Estilo Tamaño/Portabilidad Precio Empaque Marca Otro _____

Usted: posee alquila ¿Le recomendaría este calefactor a un amigo? Sí No

Por favor, denos sus comentarios: _____

¡GRACIAS POR LLENAR ESTE FORMULARIO!

La información se mantendrá confidencial.

GARANTÍA LIMITADA

IMPORTANTE: Le urgimos que llene su tarjeta de registro de la garantía en el plazo de catorce (14) días después de la fecha de compra. También puede registrar su garantía en internet en www.ghpgroupinc.com. Complete el número de serie. Conserve esta porción de la tarjeta para sus registros.



GHP Group, Inc.
6440 W Howard St
Niles, IL 60714-3302

Tel: (877) 447-4768
www.ghpgroupinc.com

¡GUARDE ESTA TARJETA!

Lugar
Coloque
la estampilla
postal
aquí

GHP Group, Inc.
6440 W Howard St
Niles, IL 60714-3302