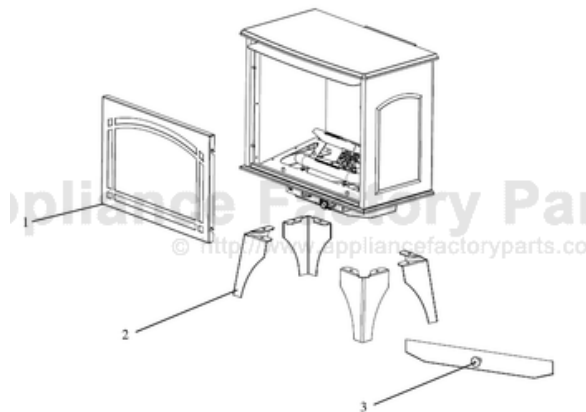


This Owner's Manual is provided and hosted by [Appliance Factory Parts](http://www.appliancefactoryparts.com).



# Pleasant Hearth VFS2-L30DT-1 Owner's Manual

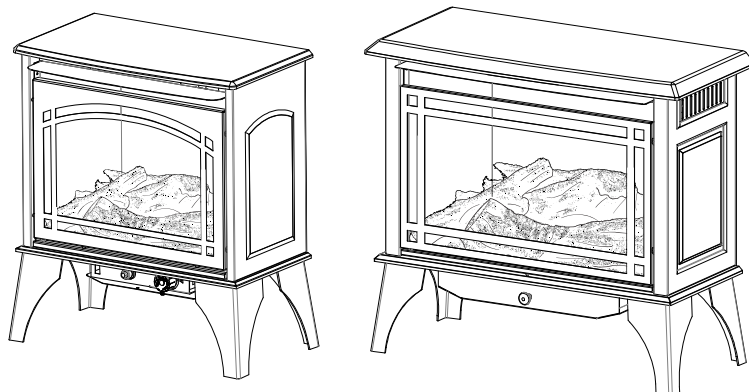
[Shop genuine replacement parts for Pleasant Hearth  
VFS2-L30DT-1](#)



[Find Your Pleasant Hearth Wood or Gas Stove Parts - Select From 36 Models](#)

----- Manual continues below -----

**⚠ WARNING:**  
This appliance is equipped for (Natural and Propane) gas. Field conversion is not permitted other than between natural or propane gases.



Patent Pending Dual Fuel Technology



Dual Fuel



US

ANSI Z21.11.2-2013

**⚠ CAUTION - FOR YOUR SAFETY**

**⚠ WARNING: IF THE INFORMATION IN THIS MANUAL IS NOT FOLLOWED EXACTLY, A FIRE OR EXPLOSION MAY RESULT CAUSING PROPERTY DAMAGE, PERSONAL INJURY OR LOSS OF LIFE.**

- Do not store or use gasoline or other flammable vapors and liquids in vicinity of this or any other appliance.

**WHAT TO DO IF YOU SMELL GAS**

- Do not try to light any appliance.
  - Do not touch any electrical switch; do not use any phone in your building.
  - Immediately call your gas supplier from a neighbor's phone. Follow the gas supplier's instructions.
  - If you cannot reach your gas supplier, call the fire department.
- Installation and service must be performed by a qualified installer, service agency or the gas supplier.

This is an unvented gas-fired heater. It uses air (oxygen) from the room in which it is installed. Provisions for adequate combustion and ventilation air must be provided. Refer to Air For Combustion and Ventilation section on page 8-10 of this manual.

**INSTALLER: Leave this manual with the appliance.  
CONSUMER: Retain this manual for future reference.**

This appliance may be installed in an aftermarket, permanently located manufactured (mobile) home, where not prohibited by local codes. This appliance is only for use with propane or natural gas. This appliance is equipped with a simple means to switch between propane and natural gas. Field conversion by any other means including the use of a kit is not permitted.



**Questions, problems, missing parts?** Before returning to your retailer, call our customer service department at 1-877-447-4768, 8:30 a.m. – 4:30 p.m., CST, Monday – Friday or email us at [customerservice@ghpgroupinc.com](mailto:customerservice@ghpgroupinc.com).

IMVFSG2L - 2017-03-13

**⚠ WARNING:** Any safety screen or guard removed for servicing an appliance must be replaced prior to operating the heater.

**⚠ WARNING:** When the appliance is installed directly on carpeting, tile or other combustible material, other than wood flooring, the appliance shall be installed on a metal or wood panel extending the full width and depth of the appliance.

**⚠ WARNING:** Do not attempt to access or change the setting of the fuel selection means.

Access to and adjustment of the fuel selection means must only be performed by a qualified service person when connecting this appliance to a specified fuel supply at the time of installation.

Change of the selector setting to other than the fuel type specified at the time of installation could damage this appliance and render it inoperable.

The installer shall replace the access cover before completing the installation and operating this appliance.

## TABLE OF CONTENTS

Specifications .....	2
Important Safety Information .....	3
Product Identification .....	5
Product Features .....	6
Unpacking.....	6
Preparing for Installation.....	7
Installation .....	10
Operation.....	19
Care and Maintenance .....	21
Troubleshooting.....	23
Replacement Parts .....	26
Accessories .....	27
Warranty .....	29

**⚠ WARNING: Read the Installation & Operating Instructions before using this appliance.**  
**IMPORTANT: Read all instructions and warnings carefully before starting installation.**  
**Failure to follow these instructions may result in possible injury to persons or a fire hazard and will void the warranty.**

Model	VFS2-L20DT VFS2-PH20DT		VFS2-L30DT VFS2-PH30DT	
Input Rating	20,000 BTU/Hr		30,000 BTU/Hr	
Minimum Input Rating	16,000 BTU/Hr	10,000 BTU/Hr	24,000 BTU/Hr	15,000 BTU/Hr
Gas Type	LP	NG	LP	NG
Manifold Pressure	10" WC	5" WC	10" WC	5" WC
Max. Inlet Pressure	14" WC	14" WC	14" WC	14" WC
Min. Inlet Pressure	11" WC	6" WC	11" WC	6" WC

### SERVICE HINTS

#### When Gas Pressure Is Too Low


- pilot will not stay lit
- burners will have delayed ignition
- heater will not produce specified heat
- for propane/LP units, propane/LP gas supply may be low

You may feel your gas pressure is too low. If so, contact your local natural or propane/LP gas supplier.

## **IMPORTANT SAFETY INFORMATION**

**IMPORTANT:** Read this owner's manual carefully and completely before trying to assemble, operate, or service this heater. Improper use of this heater can cause serious injury or death from burns, fire, explosion, electrical shock, and carbon monoxide poisoning.

Only a qualified installer, service agent, or local gas supplier may install and service this product.

 **WARNING:** Do not store or use gasoline or other flammable vapors or liquids in the vicinity of this or any other appliance.

 **WARNING:** This appliance can be used with propane or natural gas. It is shipped from the factory adjusted for use with propane.


**CARBON MONOXIDE POISONING:** Early signs of carbon monoxide poisoning resemble the flu with headaches, dizziness, or nausea. If you have these signs, the heater may not be working properly. Get fresh air immediately! Have heater serviced. Some people are more affected by carbon monoxide than others. These include pregnant women, people with heart or lung disease, people who are anemic, those under the influence of alcohol, and those living in high altitudes.


**NATURAL AND PROPANE/LP GAS:** Natural and Propane/LP gases are odorless. An odor-making agent is added to the gas. The odor helps you detect a gas leak. However, the odor added to the gas can fade. Gas may be present even though no odor exists. Make certain you read and understand all warnings. Keep this manual for reference. It is your guide to operating this heater safely.


 **WARNING:** Any change to this heater or its controls can be dangerous.

 **WARNING:** Do not use any accessories not approved for use with this heater.

 **WARNING:** Carefully supervise young children when they are in the room with the heater.

 **WARNING:** Heater becomes very hot when operating. Keep children and adults away from hot surfaces to avoid burns or clothing ignition. Heater will remain hot for a time after shutoff. Allow surfaces to cool before touching.

 **WARNING:** Keep the appliance area clear and free from combustible materials, gasoline, and other flammable vapors and liquids.

 **WARNING:** Due to high temperatures, locate this appliance out of traffic and away from furniture and draperies.

 **WARNING:** Do not place clothing or other flammable material on or near the appliance. Never place any objects in the heater.

### **CALIFORNIA PROPOSITION 65**

**Fuels used in gas or oil fired appliances and the products of combustion of such fuels contain chemicals known to the state of California to cause cancer, birth defects or other reproductive harm. This product contains chemicals, including lead and lead compounds, known to the state of California to cause cancer, birth defects or other reproductive harm. Wash hands after handling.**



## **SAFETY INFORMATION**

---

1. This appliance is only for use with the type of gas indicated on the rating plate. This appliance is not convertible for use with other gases.
2. Do not place propane/LP supply tank(s) inside any structure. Locate propane/LP supply tank(s) outdoors.
3. If you smell gas
  - shut off gas supply
  - do not try to light any appliance
  - do not touch any electrical switch; do not use any phone in your building
  - immediately call your gas supplier from a neighbor's phone. Follow the gas supplier's instructions
  - if you cannot reach your gas supplier, call the fire department
4. This heater shall not be installed in a bedroom or bathroom.
5. Do not use this heater as a wood-burning heater. Use only the logs provided with the heater.
6. Do not add extra logs or ornaments such as pine cones, vermiculite or rock wool. Using these added items can cause sooting. Do not add lava rock around base. Rock and debris could fall into the control area of heater.
7. This heater is designed to be smokeless. If logs ever appear to smoke, turn off heater and call a qualified service person. Note: During initial operation, slight smoking could occur due to log curing and heater burning manufacturing residues.
8. To prevent the creation of soot, follow the instructions in Cleaning and Maintenance, page 21-22.
9. Before using furniture polish, wax, carpet cleaner or similar products, turn heater off. If heated, the vapors from these products may create a white powder residue within burner box or on adjacent walls or furniture.
10. This heater needs fresh air ventilation to run properly. This heater has an Oxygen Depletion Sensing (ODS) safety shutoff system. The ODS shuts down the heater if not enough fresh air is available. See Air for Combustion and Ventilation, page 8. If heater keeps shutting off, see Troubleshooting, page 23-25.
11. Do not run heater
  - where flammable liquids or vapors are used or stored.
  - under dusty conditions.
12. Do not use this heater to cook food or burn paper or other objects.
13. Never place any objects in the heater or on logs.
14. Do not use heater if any part has been under water. Immediately call a qualified service technician to inspect the room heater and to replace any part of the control system and any gas control which has been under water.
15. Turn off and unplug heater and let cool before servicing. Only a qualified service person should service and repair heater.
16. Operating heater above elevations of 4,500 feet could cause pilot outage.
17. Do not operate heater if log is broken. Do not operate heater if log is chipped (dime-sized or larger).
18. To prevent performance problems, do not use propane/LP fuel tank of less than 100 lb. capacity.
19. Provide adequate clearances around air openings.

---

## **QUALIFIED INSTALLING AGENCY**

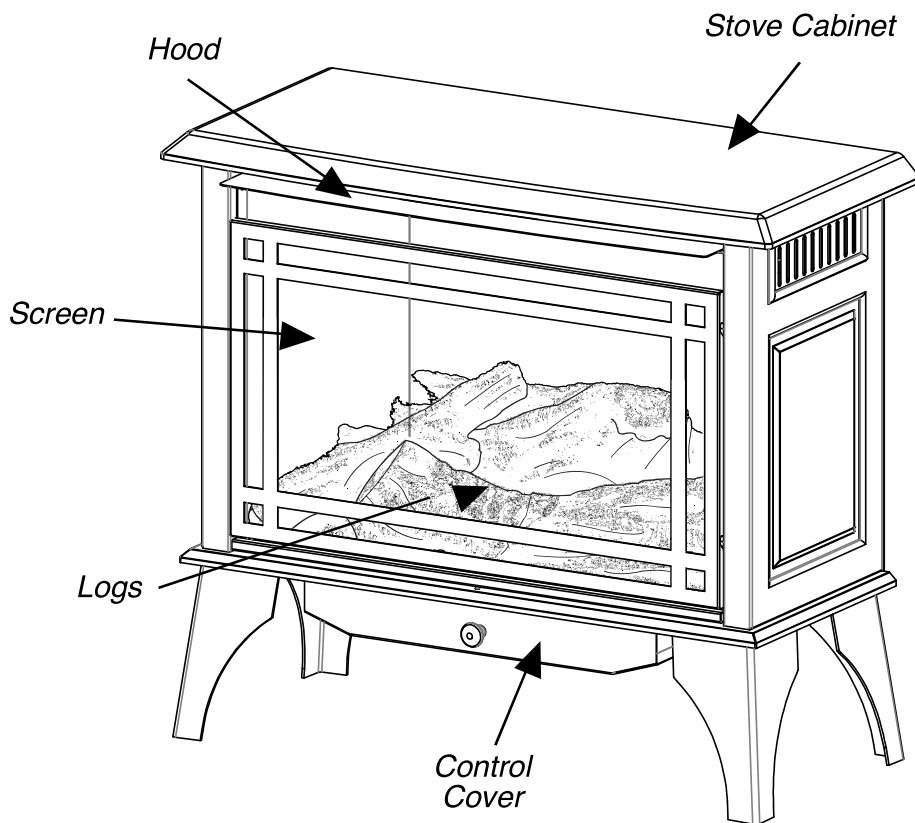
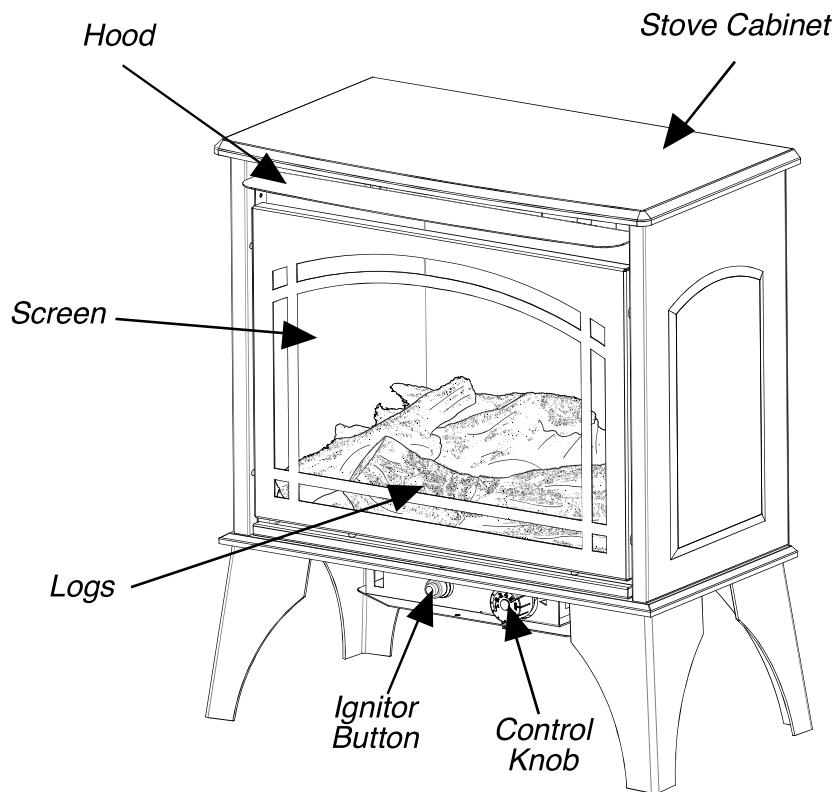
---

Only a qualified agency should install and replace gas piping, gas utilization equipment or accessories, and repair and equipment servicing. The term "qualified agency" means any individual, firm, corporation, or company that either in person or through a representative is engaged in and is responsible for:

- a) Installing, testing, or replacing gas piping or
- b) Connecting, installing, testing, repairing, or servicing equipment; that is experienced in such work; that is familiar with all precautions required; and that has complied with all the requirements of the authority having jurisdiction.

# PRODUCT IDENTIFICATION

---



## PRODUCT FEATURES

---

### SAFETY PILOT

This heater has a pilot with an Oxygen Depletion Sensing (ODS) safety shutoff system. The ODS/pilot shuts off the heater if there is not enough fresh air and cuts off main burner gas in the event of flame out.

### ELECTRIC PUSH BUTTON IGNITION SYSTEM

This heater is equipped with an electronic push button control system. This system requires one AAA battery (provided).

### THERMOSTAT HEAT CONTROL

The control automatically cycles the burner on and off to maintain a desired room temperature.

### DUAL FUEL CAPABILITY

Your heater is equipped to operate on either propane or natural gas. The heater is shipped from the factory ready for connecting to propane. The heater can easily be changed to natural gas by having your qualified installer follow the instructions on page 14 and the markings on the heater.

### BLOWER KIT (OPTIONAL)

The blower kit helps to distribute the warmed air into the space more rapidly.

**State of Massachusetts: The installation must be made by a licensed plumber or gas fitter in the Commonwealth of Massachusetts. Sellers of unvented propane or natural gas-fired supplemental room heaters shall provide to each purchaser a copy of 527 CMR 30 upon sale of the unit.**

**In the State of Massachusetts, unvented propane or natural gas-fired space heaters shall be prohibited in bedrooms and bathrooms.**

**In the State of Massachusetts the gas cock must be a T-handle type. The State of Massachusetts requires that a flexible appliance connector cannot exceed three feet in length.**

### LOCAL CODES

Install and use heater with care. Follow all codes. In the absence of local codes, use the latest edition of The National Fuel Gas Code, ANSI Z223.1, also known as NFPA 54\*.

\*Available from:

American National Standard Institute, Inc.  
1430 Broadway  
New York, NY 10018

National Fire Protection Association, Inc.  
1 Batterymarch Park  
Quincy, MA 02269-9101

This heater is designed for vent-free operation. State and local codes in some areas prohibit the use of vent-free heaters.

### UNPACKING

1. Remove heater cabinet and hood from carton. Log is wrapped and inside heater. Do not remove at this time.
2. Remove all protective packaging applied to heater for shipment.
3. Make sure your heater includes one hardware packet.
4. Check heater for any shipping damage. If damaged, call our Technical Service Department at 1-877-447-4768. Please do not return it to the store.

## PREPARING FOR INSTALLATION

---

### AIR FOR COMBUSTION AND VENTILATION

**⚠ WARNING:** This heater shall not be installed in a room or space unless the required volume of indoor combustion air is provided by the method described in the *Nation Fuel Gas Code, ANSI Z223.1/NFPA 54*, the *International Fuel Gas Code*, or applicable local codes.

### PRODUCING ADEQUATE VENTILATION

All spaces in homes fall into one of the three following ventilation classifications:

1. Unusually Tight Construction
2. Unconfined Space
3. Confined Space

The information on pages 8-10 will help you classify your space and provide adequate ventilation.

#### Confined and Unconfined Space

A confined space as a space whose volume is less than 50 cu. ft. per 1,000 BTU/hr (4.8 m<sup>3</sup> per kw) of the aggregate input rating of all appliances installed in that space and an unconfined space as a space whose volume is not less than 50 cu. ft. per 1,000 BTU/hr (4.8 m<sup>3</sup> per kw) of the aggregate input rating of all appliances installed in that space. Rooms connecting directly with the space in which the appliances are installed\*, through openings not furnished with doors, are considered a part of the unconfined space.

This heater shall not be installed in a confined space or unusually tight construction unless provisions are provided for adequate combustion and ventilation air.

\* Adjoining rooms are connecting only if there are doorless passageways or ventilation grills between them.

#### Unusually Tight Construction

The air that leaks around doors and windows may provide enough fresh air for combustion and ventilation. However, in buildings of unusually tight construction, you must provide additional fresh air.

Unusually tight construction is defined as construction where:

- a) walls and ceilings exposed to the outside atmosphere have a continuous water vapor retarder with a rating of one perm (6x10<sup>-11</sup>kg per pa-sec-m<sup>2</sup>) or less with openings gasketed or sealed and
- b) weather stripping has been added on windows that can be opened and on doors and
- c) caulking or sealants are applied to areas such as joints around window and door frames, between sole plates and floors, between wall-ceiling joints, between wall panels, at penetrations for plumbing, electrical, and gas lines, and at other openings.

If your home meets all of the three criteria above, you must provide additional fresh air. See "Ventilation Air From Outdoors" (page 9). If your home does not meet all of the three criteria above, proceed to "Determining Fresh-Air Flow For Heater Location".

## PREPARING FOR INSTALLATION

---

### DETERMINING FRESH-AIR FLOW FOR HEATER LOCATION

#### Determining if You Have a Confined or Unconfined Space

Use this worksheet to determine if you have a confined or unconfined space.

**Space:** Includes the room in which you will install heater plus any adjoining rooms with doorless passageways or ventilation grills between the rooms.

1. Determine the volume of the space  $\text{Length} \times \text{Width} \times \text{Height} = \text{cu. ft. (volume of space)}$   
Example: Space size 20 ft. (length)  $\times$  16 ft.(width)  $\times$  8 ft. (ceiling height) = 2560 cu. ft. (volume of space)

If additional ventilation to adjoining room is supplied with grills or openings, add the volume of these rooms to the total volume of the space.

2. Divide the space volume by 50 cu. ft. to determine the maximum BTU/hr the space can support.  
\_\_\_\_\_ (volume of space)  $\div$  50 cu. ft. = (Maximum BTU/hr the space can support)  
Example: 2560 cu. ft. (volume of space)  $\div$  50 cu. ft. = 51.2 or 51,200 (maximum BTU/hr the space can support)

3. Add the BTU/hr of all fuel burning appliances in the space.

Vent-free heater \_\_\_\_\_ BTU/hr

Gas water heater\* \_\_\_\_\_ BTU/hr

Gas furnace \_\_\_\_\_ BTU/hr

Vented gas heater \_\_\_\_\_ BTU/hr Example:

Gas heater logs \_\_\_\_\_ BTU/hr Gas water heater 30,000 BTU/hr

Other gas appliances\*+ \_\_\_\_\_ BTU/hr Vent-free heater + 26,000 BTU/hr

Total = \_\_\_\_\_ BTU/hr Total = 56,000 BTU/hr

\*Do not include direct-vent gas appliances. Direct-vent draws combustion air from the outdoors and vents to the outdoors.

4. Compare the maximum BTU/hr the space can support with the actual amount of BTU/hr used.

\_\_\_\_\_ BTU/hr (maximum the space can support)

\_\_\_\_\_ BTU/hr (actual amount of BTU/hr used).

Example : 51,200 BTU/hr (maximum the space can support) 56,000 BTU/hr (actual amount of BTU/hr used)

The space in the above example is a confined space because the actual BTU/hr used is more than the maximum BTU/hr the space can support.

You must provide additional fresh air. Your options are as follows:

- a) Rework worksheet, adding the space of an adjoining room. If the extra space provides an unconfined space, remove door to adjoining room or add ventilation grills between rooms. See "Ventilation Air From Inside Building," page 9.
- b) Vent room directly to the outdoors. See "Ventilation Air From Outdoors", page 9.
- c) Install a lower BTU/hr heater if lower BTU/hr size makes room unconfined. If the actual BTU/hr used is less than the maximum BTU/hr the space can support, the space is an unconfined space. You will need no additional fresh air ventilation.

## PREPARING FOR INSTALLATION

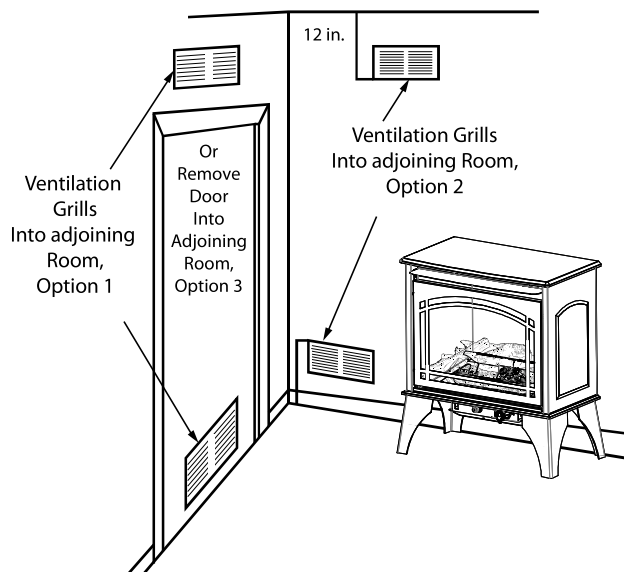
### Ventilation Air From Inside Building

This fresh air would come from adjoining unconfined space. When ventilating to an adjoining unconfined space, you must provide two permanent openings: one within 12 in. of the wall connecting the two spaces (see options 1 and 2, Fig. 4). You can also remove door into adjoining room (see option 3, Fig. 4). Follow the National Fuel Gas Code NFPA 54/ANS Z223.1. Air for Combustion and Ventilation for required size of ventilation grills or ducts.

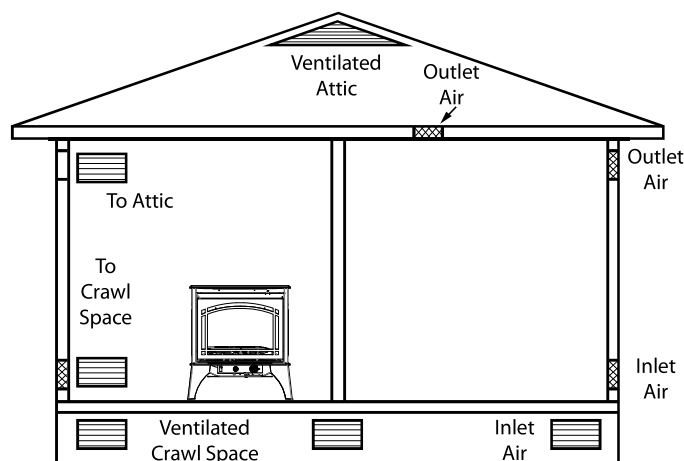
### Ventilation Air From Outdoors

Provide extra fresh air by using ventilation grills or duct. You must provide two permanent openings: one within 12 in. of the ceiling and one within 12 in. of the floor. Connect these items directly to the outdoors or spaces open to the outdoors. These spaces include attics and crawl spaces. Follow the National Fuel Gas Code NFPA 54/ANS Z223.1. Air for Combustion and Ventilation for required size of ventilation grills or ducts.

**IMPORTANT:** Do not provide openings for inlet or outlet air into attic if attic has a thermostat-controlled power vent. Heated air entering the attic will activate the power vent. Rework worksheet, adding the space of the adjoining unconfined space. The combined spaces must have enough fresh air to supply all appliances in both spaces.



**Fig. 4 - Ventilation Air from Inside Building**



**Fig. 5 - Ventilation Air from Outdoors**

## INSTALLATION

---

**⚠ NOTICE:** This heater is intended for use as supplemental heat. Use this heater along with your primary heating system. Do not install this heater as your primary heat source. If you have a central heating system, you may run system's circulating blower while using heater. This will help circulate the heat throughout the house.

**⚠ WARNING:** A qualified technician must install heater. Follow all local codes.

**⚠ WARNING:** Never install the heater:

- in a bedroom or bathroom
- in a recreational vehicle
- where curtains, furniture, clothing, or other flammable objects are less than 42 in. from the front, top or sides of the heater.
- in high traffic areas
- in windy or drafty areas

**⚠ WARNING:** Maintain the minimum clearances. If possible, provide greater clearances from the floor, ceiling, and adjoining wall than required.

**⚠ CAUTION:** This heater creates warm air currents. These currents move heat to wall surfaces next to heater. Installing heater next to vinyl or cloth wall coverings or operating heater where impurities (such as tobacco smoke, aromatic candles, cleaning fluids, oil or kerosene lamps, etc.) in the air exist, may cause walls to discolor.

**IMPORTANT:** Vent-free heaters add moisture to the air. Although this is beneficial, installing heater in rooms without enough ventilation air may cause mildew to form from too much moisture. See Air for Combustion and Ventilation, pages 8-10.

### CHECK GAS TYPE

Be sure your gas supply is right for your heater.

### CLEARANCES TO COMBUSTIBLES

Carefully follow the instructions below. This heater is a wall mount unit designed to sit directly on the mantel base.

**IMPORTANT:** Maintain the minimum clearances shown in Figure 6 on page 11. If you can, provide greater clearances from floor, ceiling and joining wall.

## INSTALLATION

### Heater CLEARANCES

- ⚠ CAUTION:** If you install the heater in a home garage
- heater pilot and burner must be at least 18" above floor.
  - locate heater where moving vehicle will not hit it.

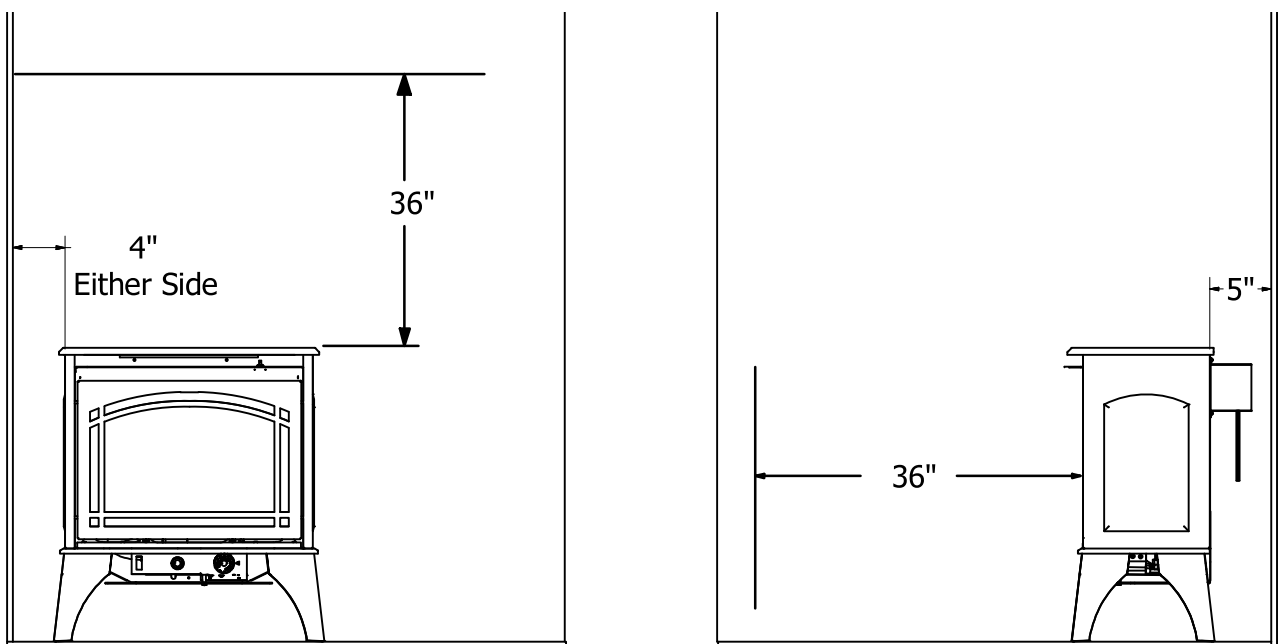
For convenience and efficiency, install heater

- where there is easy access for operation, inspection and service
- in coldest part of room
- If this appliance is to be installed directly on carpeting, tile or other combustible material, other than wood flooring, the appliance must be installed on a metal or wood panel extending the full width and depth of the appliance.

An optional blower kit is available from your retailer. See Accessories, page 27. If planning to use blower, follow instructions provided with blower for power source.

### Minimum Clearances For Side Combustible Material, Side Wall and Ceiling

- A. Clearances from the side of the heater cabinet to any combustible material and wall should follow diagram in Figure 6.
- B. Clearances from the top of the heater to any combustible surface should not be less than 36".
- C. Clearances from the front of the heater to any combustible surface shall not be less than 36".



**Fig. 6 - Minimum Clearance to Combustible Material**

## INSTALLATION

**⚠ WARNING:** The optional blower is equipped with a three-prong (grounding) plug for your protection against shock hazard and must be plugged directly into a properly grounded three-prong receptacle.

Heater must be disconnected from gas supply before installing fan accessory.  
Contact a qualified service person to do this.

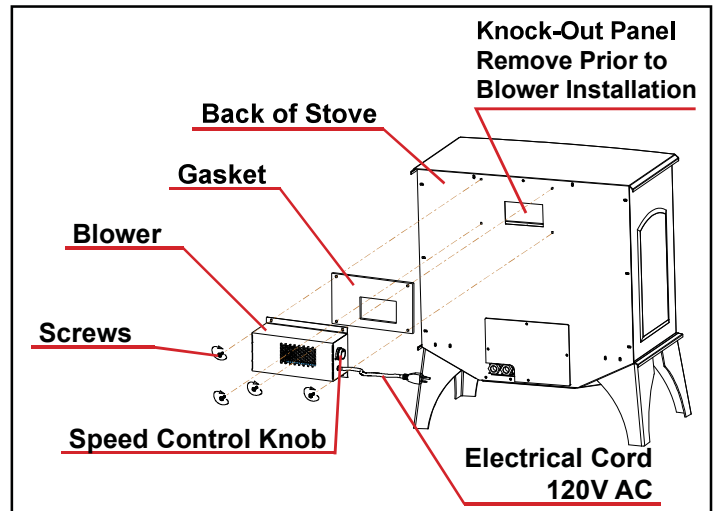
### BLOWER INSTALLATION (OPTIONAL)

The blower is to be installed at the rear of the stove, on the rear heat shield. Align the blower and gasket mounting holes with those on the rear heat shield.

### VENT-FREE BLOWER INFORMATION

This blower is a rotary tangential fan. It is designed to direct heated air radiating from the rear of the stove to the front at a low velocity. DO NOT expect a large volume of air to be felt when standing in front of the stove.

The blower is NOT thermostatically controlled. The blower speed is manually controlled with variable speeds, which are selected by rotating the speed control knob clockwise. When routing the power cord, be sure that the cord does not come into contact with any hot surface. Operating Voltage is 110 to 120 VAC at 60 Cycle.



**IMPORTANT:** Ensure the blower and gasket are oriented correctly. The blower wheel and gasket cut-out must align with the cut-out in the rear heat shield. Fasten the blower and gasket to the rear heat shield using the four (4) screws provided. DO NOT over tighten screws. Be sure to plug the blower into a 3 prong grounded outlet. DO NOT tamper with the grounding prong on the cord.

**⚠ WARNING:** DO NOT submerge the blower into any liquids. This will create an electric shock hazard. Disconnect power before installing or servicing unit.

**⚠ CAUTION:** Extreme caution is necessary when any fan is used by or near children or invalids and whenever the fan is left operating unattended.

## CLEANING

Periodic cleaning of the blower is recommended. Dust or dirt accumulation could significantly restrict airflow. Restriction in airflow will reduce the efficiency of the blower and possibly damage the motor.

# INSTALLATION

## BATTERY INSTALLATION

- Step 1 – Locate the Push Button Ignitor by lowering the cover on the bottom of the stove. (Fig. 1)
- Step 2 – Unscrew the cap on the Push Button Ignitor with your fingers by turning it counterclockwise. (Fig. 2)
- Step 3 – Insert the battery with the positive (+) side facing forward.
- Step 4 – Replace the cap by turning it clockwise until the cap is finger tight.

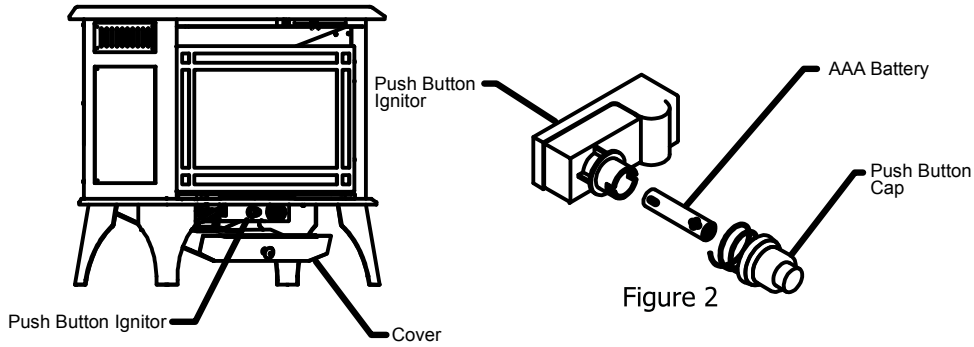


Figure 1

Figure 2

## LEG INSTALLATION (If required)

Before Installing Heater, Follow These Steps for leg Installation.

1. Set a blanket or cardboard on the floor to create a padded surface.
2. With assistance, carefully place stove on its top onto the padded surface.
3. Insert the holes of a leg into the two (2) Threaded Studs shown in Figure 0.1.
4. Tighten the nuts securely (DO NOT over tighten) to the Threaded Studs.
5. Repeat steps 3-4 to install the other three (3) legs.
6. With assistance, lift the stove off of the padded surface, and set upright onto the newly installed legs.

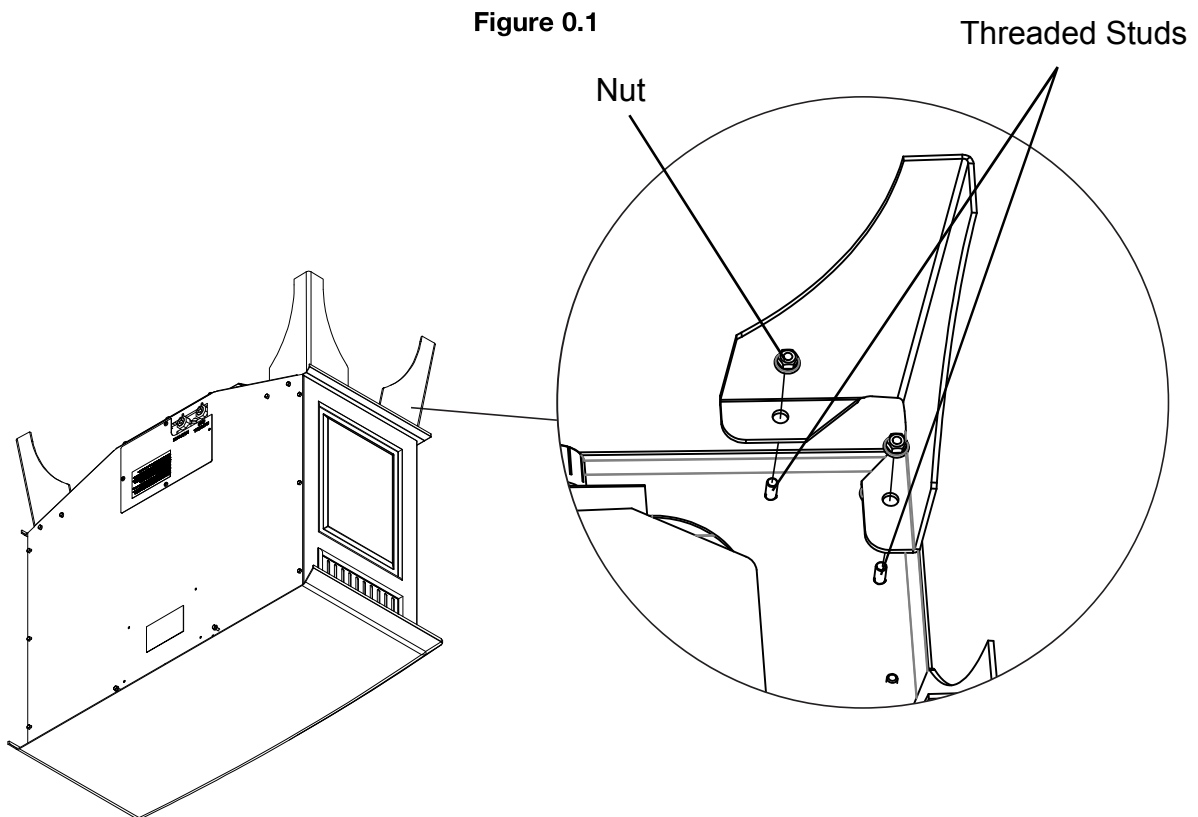


Figure 0.1

Threaded Studs

# INSTALLATION

## GAS SELECTION INSTRUCTIONS

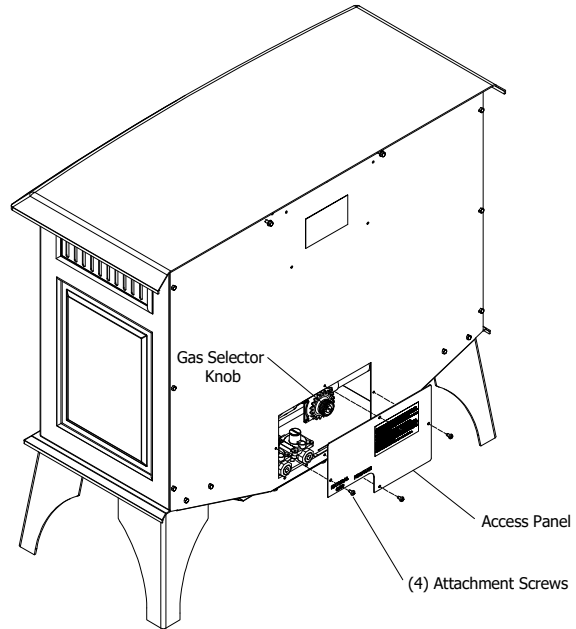
- ⚠ WARNING:** This appliance can be used with propane or natural gas. It is shipped from the factory adjusted for use with propane.
- ⚠ CAUTION:** The knob to the gas selection means shall not be accessed or adjusted while the appliance is in operation.
- ⚠ CAUTION:** Two gas line installations at the same time are prohibited. The access plate to simple switching means shall not be opened while heater is in operation.

Installation and adjustments shall be made by a qualified technician only.

NOTE: If you are connecting this appliance to propane do not make any adjustments. Proceed to installing the gas line as instructed in the Owner's Manual.

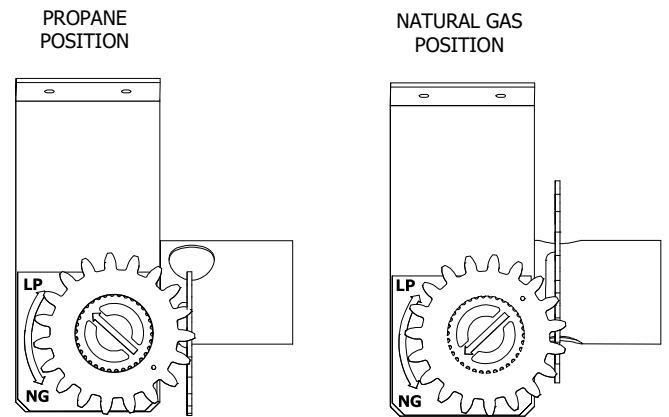
### Convert to natural gas:

Step 1 - Remove access panel



Step 2 - Adjust the gas selector valve  
Push in on the selector valve Knob and rotate the knob counter clockwise until it stops. Release the knob (See Fig. 8)  
**Do not operate the appliance between locked positions.**

Step 3 - Replace Access Panel  
Reverse step 2 to convert back to propane gas.



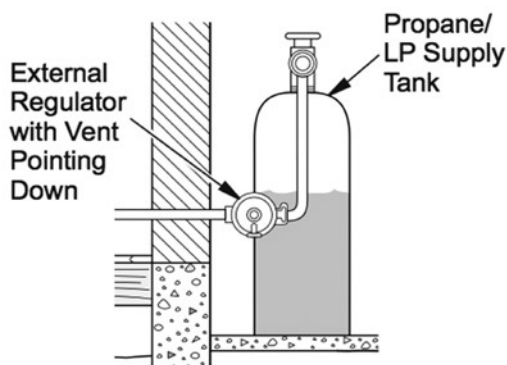
**Fig. 8 - Selector Valve**

## INSTALLATION

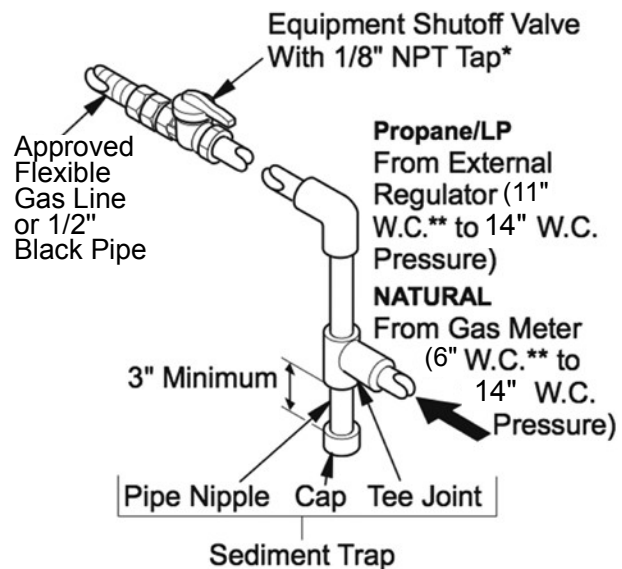
### CONNECTING TO GAS SUPPLY

- ⚠ WARNING:** A qualified service technician must connect heater to gas supply. Follow all local codes.
- ⚠ CAUTION:** Never connect heater directly to the gas supply. This heater requires an external regulator (not supplied). The external regulator between the gas supply and heater must be installed. Gas supplier provides external regulator for natural gas.
- ⚠ WARNING:** Never connect heater to private (non-utility) gas wells. This gas is commonly known as wellhead gas.

The installer must supply an external regulator for liquid propane. The external regulator is provided by the gas supplier for natural gas. The external regulator will reduce incoming gas pressure. You must reduce incoming gas pressure to between 11 and 14 in. of water column for propane and between 6 and 14 in. of water column for natural gas. If you do not reduce incoming gas pressure, heater regulator damage could occur. Install external regulator with the vent pointing down as shown in Fig. 9. Pointing the vent down protects it from freezing rain or sleet.



**Fig. 9 - Regulator Conversion**



**Fig. 10 - Gas Connection**

\* Purchase the optional equipment shutoff valve from your local Home Center store.

- ⚠ CAUTION:** Use only new black iron or steel pipe. Internally tinned copper tubing may be used in certain areas. Check your local codes. Use pipe of  $\frac{1}{2}$  in. diameter or greater to allow proper volume gas to heater. If pipe is too small, loss of pressure will occur. Installation must include an equipment shutoff valve, union, and plugged 1/8-in. NPT tap. Locate NPT tap within reach for test gauge hook up. NPT tap must be upstream from heater (See Fig. 10).

**IMPORTANT:** Install equipment shutoff valve in an accessible location. The equipment shutoff valve is for turning on or shutting off the gas to the appliance. Apply pipe joint sealant lightly to male threads. This will prevent excess sealant from going into pipe. Excess sealant in pipe could result in clogged heater valves.

## INSTALLATION

**⚠ CAUTION:** Use pipe joint sealant that is resistant to gas (PROPANE or NG). We recommend that you install a sediment trap in a supply line as shown in Fig. 10. Locate sediment trap where it is within reach for cleaning and not likely to freeze. Install in the piping system between fuel supply and heater. A sediment trap traps moisture and contaminants. This keeps them from going into heater controls. If sediment trap is not installed or is installed incorrectly, heater may not run properly.

**⚠ CAUTION:** Avoid damage to regulator. Hold gas regulator with wrench when connecting into gas piping and/or fittings. NG Models: 6 in. and 14 in. W.C. Gas supplier provides external regulator for natural gas.

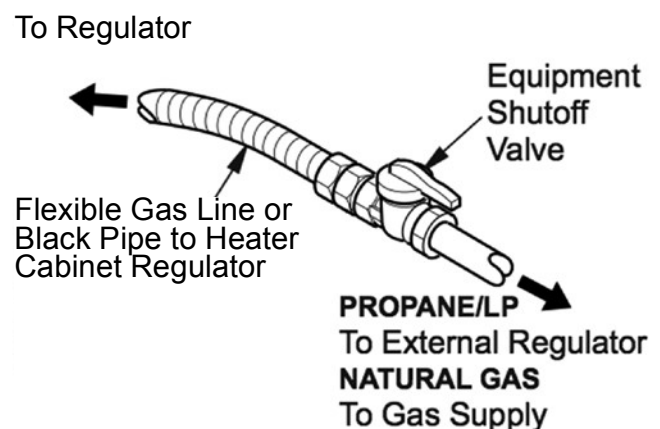
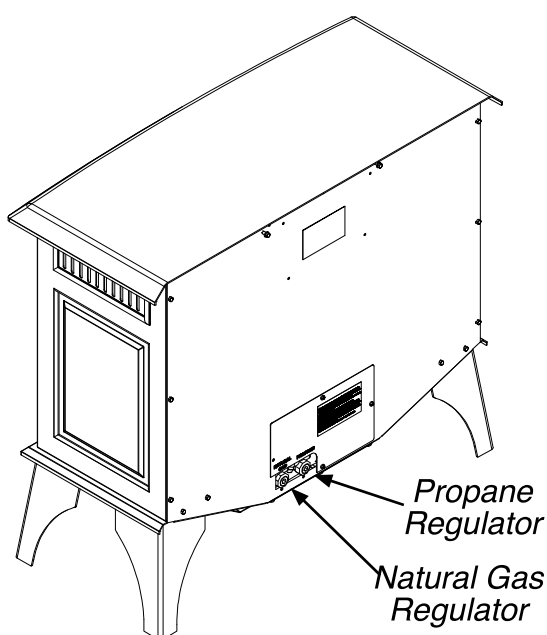
### Installation Items Needed (Not Provided)

- 8" Adjustable Wrench
- 8" Pipe Wrench
- Flexible Gas Line (24" Min.) or 1/2" Black Pipe
- 90 Deg. 3/8 NPT x 3/8" Flare Fitting or 3/8" Street Elbow
- Sealant (Resistant to Propane (LP) Gas)
- Shut Off Valve

1) A variety of options are possible for routing the Gas Connection Lines depending on where your Gas Supply line is located. Install the 3/8" Fitting to the Heater Cabinet Regulator using Sealant and direct the attachment and either left or right toward the Gas Supply Line.

**NOTICE:** Most building codes do not permit concealed gas connections. Check your local building code prior to using a Flexible Gas Line for this installation.

- 2) Install the Gas Line to the 90 Deg. fitting and attach to the Shut Off Valve.
- 3) Check all connections for gas leaks.



**Fig. 11 - Attaching Flexible Gas Line to Equipment Shutoff Valve**

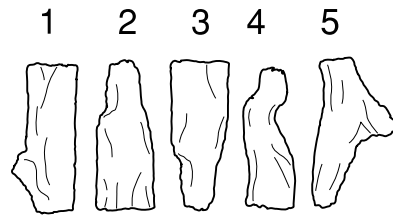
## ASSEMBLING LOGS

**⚠ WARNING:** Failure to position the parts in accordance with these diagrams or failure to use only parts specifically approved with this heater may result in property damage or personal injury.

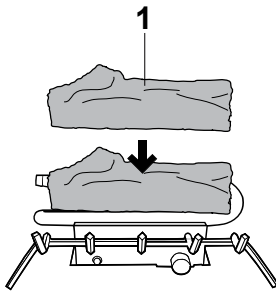
**⚠ CAUTION:** After installation and periodically thereafter, check to ensure that no yellow flame comes in contact with any log. With the heater set to High, check to see if yellow flames contact any log. If so, reposition logs according to the log installation instructions in this manual. Yellow flames contacting logs will create soot.

It is very important to install the logs exactly as instructed. Do not modify logs. Use only logs supplied with heater. Each log is marked with a number. This number will help you identify the logs when installing.

Provided Logs: 5

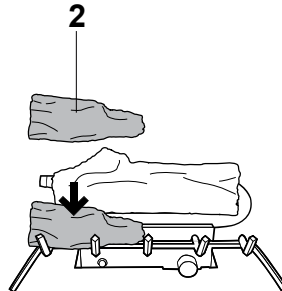


Installing Log #1



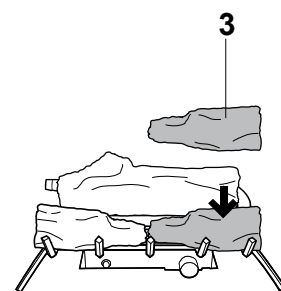
1. Insert log #1 onto the rear row of pins on the base pan.

Installing Log #2



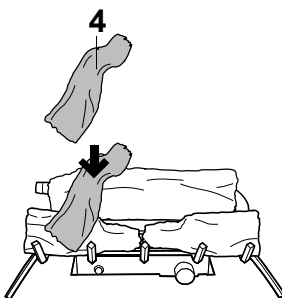
2. Insert log #2 onto the front left pin on the base pan.

Installing Log #3



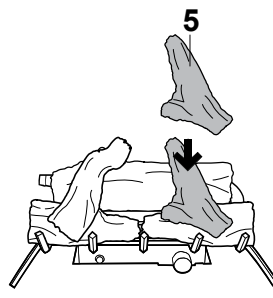
3. Insert log #3 onto the front right pin on the base pan.

Installing Log #4



4. Insert log #4 onto the left pin of log #1 and the pin of log #2.

Installing Log #5



5. Insert log #5 onto the right pin of log #1 and the pin of log #3.

## INSTALLATION

### CHECKING GAS CONNECTIONS

**⚠ WARNING:** Test all gas piping and connections for leaks after installing or servicing. Correct all leaks immediately.

**⚠ WARNING:** Never use an open flame to check for a leak. Apply a mixture of liquid soap and water to all joints. If bubbles form, there may be a leak. Correct all leaks immediately.

#### Pressure Testing Gas Supply Piping System Test Pressures In Excess Of 1/2 PSIG ( 3.5kPa )

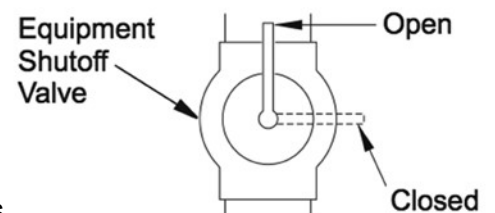
1. Disconnect heater with its appliance main gas valve (control valve) and equipment shutoff valve from gas supply piping system. Pressures in excess of 1/2 PSIG will damage heater regulator.
2. Cap off open end of gas pipe where equipment shutoff valve was connected.
3. Pressurize supply piping system by either using compressed air or opening gas supply tank valve.
4. Check all joints of gas supply piping system. Apply mixture of liquid soap and water to gas joints. If bubbles form, there may be a leak.
5. Correct all leaks immediately.
6. Reconnect heater and equipment shutoff valve to gas supply. Check reconnected fittings for leaks.

#### Test Pressures Equal To or Less Than 1/2 PSIG (3.5 kPa)

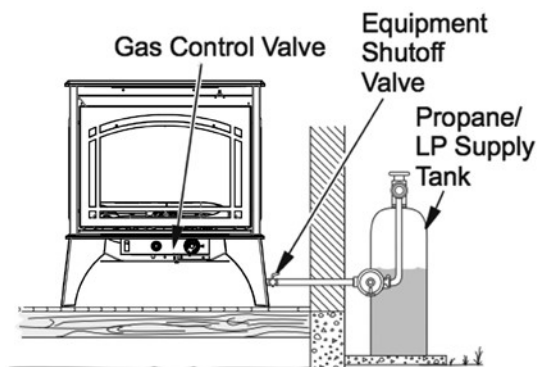
1. Close equipment shutoff valve (See Fig. 12).
2. Pressure supply piping system by either using compressed air or opening gas supply tank valve.
3. Check all joints from gas meter to equipment shutoff valve (See Fig.13). Apply mixture of liquid soap and water to gas joints. If bubbles form, there may be a leak.
4. Correct all leaks immediately.

#### Pressure Testing Heater Gas Connections

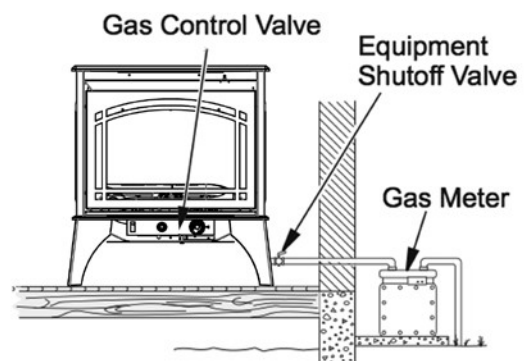
1. Open equipment shutoff valve (See Fig. 12).
2. Open gas supply tank valve.
3. Make sure control knob of heater is in the OFF position.
4. Check all joints from equipment shutoff valve to control valve (See Fig. 13). Apply mixture of liquid soap and water to gas joints. If bubbles form, there may be a leak.
5. Light heater (see Operation, page 19-20).  
Check all other internal joints for leaks.
6. Turn off heater (see "To Turn Off Gas to Appliance," page 20).



**Fig. 12 - Equipment Shutoff Valve**



**Fig. 13 - Checking Gas Joints  
(Propane/LP Only)**



**Fig. 14 - Checking Gas Joints  
(Natural Gas Only)**

## OPERATION

### FOR YOUR SAFETY READ BEFORE LIGHTING



**WARNING:** If you do not follow these instructions exactly, a fire or explosion may result causing property damage, personal injury or loss of life.

A. This appliance has a pilot which must be lighted by the electronic ignitor. When lighting the pilot, follow these instructions exactly.

B. **BEFORE LIGHTING** smell all around the appliance area for gas. Be sure to smell next to the floor because some gas is heavier than air and will settle on the floor.

#### WHAT TO DO IF YOU SMELL GAS



- Do not try to light any appliance.
- Do not touch any electrical switch; do not use any phone in your building.
- Immediately call your gas supplier from a neighbor's phone. Follow the gas supplier's instructions.
- If you cannot reach your gas supplier, call the fire department


C. Use only your hand to push in or turn the gas control knob. Never use tools. If the knob will not push in or turn by hand, don't try to repair it, call a qualified service technician. Forced or attempted repair may result in fire or explosion.

D. Do not use this appliance if any part has been under water. Immediately call a qualified service technician to inspect the appliance and to replace any part of the control system and any gas control which has been under water.

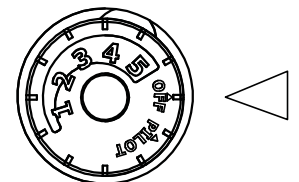
E. Any safety screen or guard removed for servicing an appliance must be replaced prior to operating the heater.

### LIGHTING INSTRUCTIONS

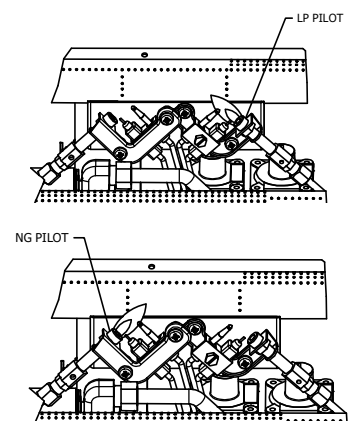
1. STOP! Read the safety information as noted above.
2. (Select Units) Open the lower access panel located below the heater screen.
3. Turn control knob clockwise  to the "OFF" position (See Fig. 15).
4. Wait five (5) minutes to clear out any gas. Then smell for gas, including near the floor. If you smell gas, STOP! Follow "B" in the safety information to the left on this label. If you don't smell gas, go to the next step.
5. Turn control knob counterclockwise  to the "PILOT" position (See Fig. 16). Depress control knob.
6. With control knob depressed, push down on the ignitor button until the pilot lights. The pilot is located behind the heater screen, centered near the rear of the burner.
7. Keep control knob depressed for (30) seconds after pilot lights. Release control knob.

- If the control knob does not pop up when released, stop and immediately call a qualified service technician or gas supplier.
- If pilot goes out repeat steps 3 through 7. Wait (1) minute before attempting to light pilot again. If after several tries the pilot still goes out, turn the gas control knob clockwise  to the "OFF" position and call a qualified service technician.

8. Turn control knob counterclockwise  to desired setting.
9. (Select units) Close lower access panel.




**Fig. 15 - Control Knob**



**Fig. 16 - Pilot**

### TO TURN OFF GAS TO APPLIANCE

1. (Select units) Open the lower access panel located under the heater screen.
2. Turn control knob clockwise  to the "OFF" position.
3. (Select units) Close lower access panel.

### INSPECTING BURNERS

Check pilot flame pattern and burner flame patterns often.

#### PILOT FLAME PATTERN

Figure 20 shows a correct pilot flame pattern. Figure 21 shows an incorrect pilot flame pattern. The incorrect pilot flame is not touching the thermocouple. This will cause the thermocouple to cool. When the thermocouple cools, the heater will shut down.

If pilot flame pattern is incorrect, as shown in Figure 21.

- turn heater off (see To Turn Off Gas to Appliance, page 20).
- see Troubleshooting, page 23-25.

Note: The pilot flame on natural gas units will have a slight curve, but flame should be blue and have no yellow or orange color.

Fig. 20 - Correct Pilot Flame Pattern

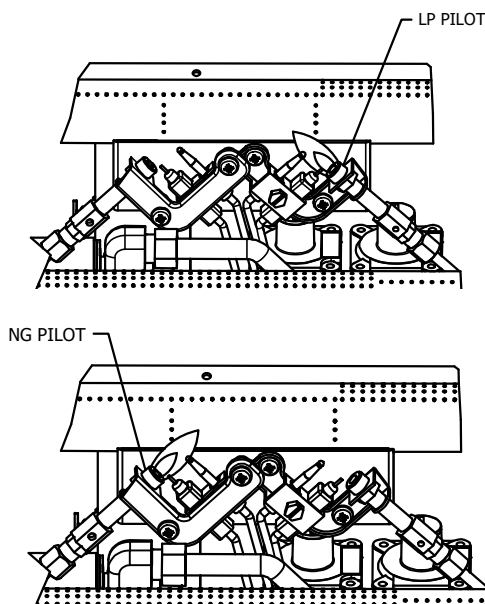
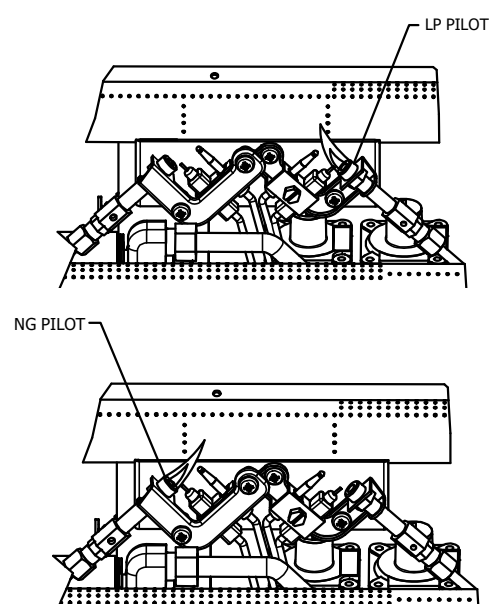


Fig. 21 - Incorrect Pilot Flame Pattern



**⚠ WARNING:** If yellow tipping occurs, your heater could produce increased levels of carbon monoxide. If burner flame pattern shows yellow tipping, follow instructions at bottom of this page.

**⚠ WARNING:** Do not allow fans to blow directly into the heater. Avoid any drafts that alter burner flame patterns.

**⚠ WARNING:** Do not use a blower insert, heat exchanger insert or other accessory not approved for use with this heater.

**Notice:** Do not mistake orange flames with yellow tipping. Dirt or other fine particles enter the heater and burn causing brief patches of orange flame.

## CARE AND MAINTENANCE

---

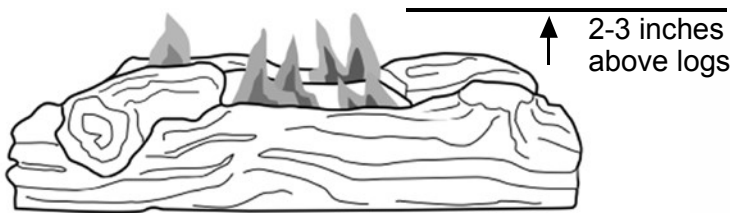
### BURNER FLAME PATTERN

Figure 22 shows a correct burner flame pattern. Figure 23 shows an incorrect burner flame pattern. The incorrect burner flame pattern shows sporadic, irregular flame tipping. The flame should not be dark or have an orange/reddish tinge.

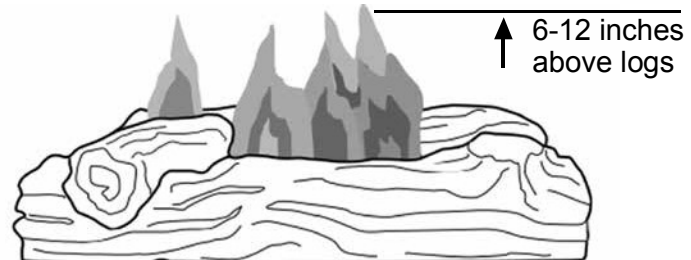
Note: When using the heater the first time, the flame will be orange for approximately one hour until the log cures.

If burner flame pattern is incorrect, as shown in Figure 23.

- turn heater off (see To Turn Off Gas to Appliance, page 20).
- see Troubleshooting, page 23-25.



**Fig. 22 - Correct Burner Flame Pattern**



**Fig. 23 - Incorrect Burner Flame Pattern**

**⚠ WARNING:** Turn off heater and let cool before servicing.

**⚠ CAUTION:** You must keep control areas, burner, and circulating air passageways of heater clean. Inspect these areas of heater before each use. Have heater inspected yearly by a qualified service person. Heater may need more frequent cleaning due to excessive lint from carpeting, bedding material, pet hair, etc.

**⚠ WARNING:** Failure to keep the primary air opening(s) of the burner(s) clean may result in sooting and property damage.

### BURNER ORIFICE HOLDER AND PILOT AIR INLET HOLE

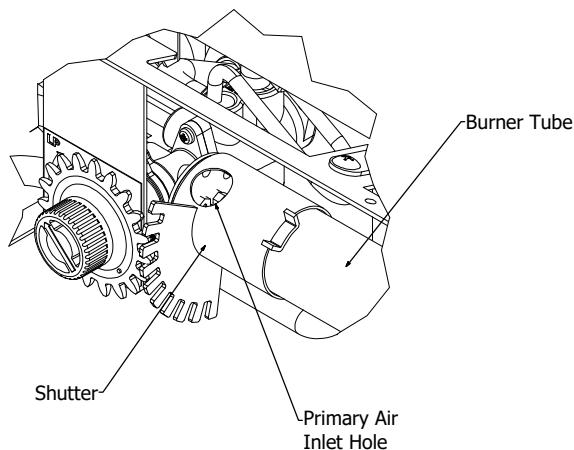
The primary air inlet holes allow the proper amount of air to mix with the gas. This provides a clean burning flame. Keep these holes clear of dust, dirt, lint and pet hair. Clean these air inlet holes prior to each heating season. Blocked air holes will create soot. We recommend that you clean the unit every three months during operation and have heater inspected yearly by a qualified service person.

We also recommend that you keep the burner tube and pilot assembly clean and free of dust and dirt. To clean these parts we recommend using compressed air no greater than 30 PSI. Your local computer store, hardware store or home center may carry compressed air in a can. If using compressed air in a can, please follow the directions on the can. If you don't follow directions on the can, you could damage the pilot assembly.

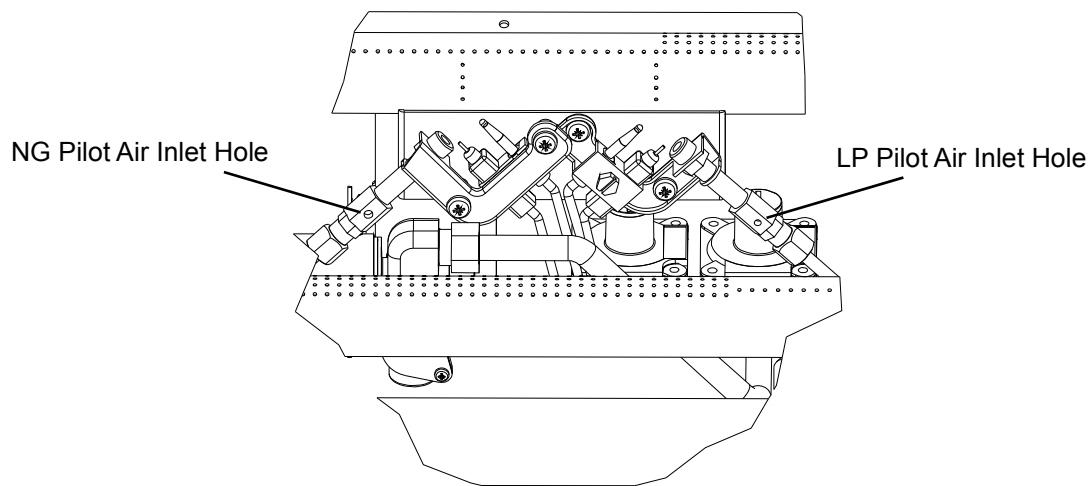
## CARE AND MAINTENANCE

---

1. Shut off unit including pilot. Allow unit to cool for at least 30 minutes.
2. Inspect burner, pilot and primary air inlet holes on orifice holder for dust and dirt (See Fig. 24).
3. Blow air through the ports/slots and holes in the burner.
4. Check the orifice holder located at the end of the burner tube again. Remove any large particles of dust, dirt, lint or pet hair with a soft cloth or vacuum cleaner nozzle.
5. Blow air into the primary air holes on the orifice holder.
6. In case any large clumps of dust have now been pushed into the burner repeat steps 3 and 4. Clean the pilot assembly also. A yellow tip on the pilot flame indicates dust and dirt in the pilot assembly. There is a small pilot air inlet hole about 2" from where the pilot flame comes out of the pilot assembly (see Figures 25). With the unit off, lightly blow air through the air inlet hole. You may blow through a drinking straw if compressed air is not available.



**Fig. 24 - Primary Air Inlet Slot on Burner Tube**



**Fig. 25 - Pilot Inlet Air Hole**

### LOG SET

- If you remove the log set for cleaning, refer to page 17, for placement instructions.
- Replace log set if broken or chipped (dime sized or larger).

### CABINET

#### Air Passageways

Use a vacuum cleaner or pressurized air to clean.

#### Exterior

Use a soft cloth dampened with a mild soap and water mixture. Wipe the cabinet to remove dust.

## TROUBLESHOOTING

**⚠ WARNING:** If you smell gas:

- Shut off gas supply.
- Do not try to light any appliance.
- Do not touch any electrical switch; do not use any phone in your building.
- Immediately call your gas supplier from a neighbor's phone. Follow the gas supplier's instructions.
- If you cannot reach your gas supplier, call the fire department.

**IMPORTANT:** Operating heater where impurities in air exist may create odors. Cleaning supplies, paint, paint remover, cigarette smoke, cements and glues, new carpet or textiles, etc., create fumes. These fumes may mix with combustion air and create odors.

**⚠ WARNING:** Make sure that power is turned off before proceeding.

**⚠ WARNING:** Turn off and let cool before servicing. Only a qualified service person should service and repair heater.

**⚠ CAUTION:** Never use a wire, needle, or similar object to clean ODS/pilot. This can damage ODS/ pilot unit.

### SERVICE HINTS

#### When Gas Pressure Is Too Low

- pilot will not stay lit
- burners will have delayed ignition
- heater will not produce specified heat
- for propane/LP units, propane/LP gas supply may be low

You may feel your gas pressure is too low. If so, contact your local natural or propane/LP gas supplier.

PROBLEM	POSSIBLE CAUSE	CORRECTIVE ACTION
When ignitor button is pressed in, there is no spark at ODS/ pilot.	<ol style="list-style-type: none"> <li>1. Ignitor electrode is positioned wrong.</li> <li>2. Ignitor electrode is broken.</li> <li>3. Ignitor electrode is not connected to ignitor cable.</li> <li>4. Ignitor cable is pinched or wet.</li> <li>5. Damaged ignitor cable.</li> <li>6. Bad Push Button Ignitor.</li> <li>7. Bad Battery</li> </ol>	<ol style="list-style-type: none"> <li>1. Replace electrode.</li> <li>2. Replace electrode.</li> <li>3. Replace ignitor cable.</li> <li>4. Free ignitor cable if pinched by any metal or tubing. Keep ignitor cable dry.</li> <li>5. Replace ignitor cable.</li> <li>6. Replace Push Button Ignitor.</li> <li>7. Check Battery and replace if needed.</li> </ol>
When ignitor button is pressed in, there is a spark at ODS/ pilot but no ignition.	<ol style="list-style-type: none"> <li>1. Gas supply is turned off or equipment shutoff valve is closed.</li> <li>2. Control knob not fully pressed in while pressing ignitor button.</li> <li>3. Air in gas lines when installed.</li> <li>4. ODS / pilot is clogged.</li> <li>5. Gas regulator setting is not correct.</li> <li>6. Control knob not in PILOT position.</li> <li>7. Depleted gas supply (propane).</li> </ol>	<ol style="list-style-type: none"> <li>1. Turn on gas supply or open equipment shutoff valve.</li> <li>2. Fully press in control knob while pressing ignitor button.</li> <li>3. Continue holding down control knob. Repeat igniting operation until air is removed.</li> <li>4. Clean ODS/pilot (see Care and Maintenance, page 21-22) or replace ODS/pilot assembly.</li> <li>5. Replace gas regulator.</li> <li>6. Turn control knob to PILOT position.</li> <li>7. Contact local propane/LP gas company.</li> </ol>

## TROUBLESHOOTING

PROBLEM	POSSIBLE CAUSE	CORRECTIVE ACTION
ODS/pilot lights but flame goes out when control knob is released.	<ol style="list-style-type: none"> <li>1. Control knob is not fully pressed in.</li> <li>2. Control knob is not pressed in long enough.</li> <li>3. Equipment shutoff valve is not fully open.</li> <li>4. Thermocouple connection is loose.</li> <li>5. Thermocouple damaged.</li> <li>6. Control valve damaged.</li> </ol>	<ol style="list-style-type: none"> <li>1. Press in control knob fully.</li> <li>2. After ODS/pilot lights, keep control knob pressed in 30 seconds.</li> <li>3. Fully open equipment shutoff valve.</li> <li>4. Hand tighten until snug, and then tighten ¼ turn more.</li> <li>5. Replace thermocouple.</li> <li>6. Contact customer service.</li> </ol>
Burner(s) does not light after ODS/pilot is lit.	<ol style="list-style-type: none"> <li>1. Burner orifice is clogged.</li> <li>2. Burner orifice diameter is too small.</li> <li>3. Inlet gas pressure is too low.</li> </ol>	<ol style="list-style-type: none"> <li>1. Clean burner orifice (see Care and Maintenance, page 21-22) or contact customer service.</li> <li>2. Contact customer service.</li> <li>3. Contact your gas supplier.</li> </ol>
Delayed ignition of burner(s).	<ol style="list-style-type: none"> <li>1. Manifold pressure is too low.</li> <li>2. Burner orifice is clogged.</li> </ol>	<ol style="list-style-type: none"> <li>1. Contact your gas supplier.</li> <li>2. Clean burner (see Care and Maintenance, page 21-22) or contact customer service.</li> </ol>
Burner backfiring during combustion.	<ol style="list-style-type: none"> <li>1. Burner orifice is clogged or damaged.</li> <li>2. Burner is damaged.</li> <li>3. Gas regulator is damaged.</li> </ol>	<ol style="list-style-type: none"> <li>1. Clean burner orifice (see Care and Maintenance, page 21-22 or contact customer service.</li> <li>2. Contact dealer or customer service.</li> <li>3. Replace gas regulator.</li> </ol>
High yellow flame during burner combustion	<ol style="list-style-type: none"> <li>1. Not enough air.</li> <li>2. Gas regulator is defective.</li> <li>3. Inlet gas pressure is too low.</li> </ol>	<ol style="list-style-type: none"> <li>1. Check burner for dirt and debris. If found, clean burner (see Care and Maintenance, page 21-22).</li> <li>2. Replace gas regulator.</li> <li>3. Contact your gas supplier.</li> </ol>
Gas odor during combustion.	<ol style="list-style-type: none"> <li>1. Foreign matter between control valve and burner.</li> <li>2. Gas leak. (See Warning Statement at top of page 23).</li> </ol>	<ol style="list-style-type: none"> <li>1. Take apart gas tubing and remove foreign matter.</li> <li>2. Locate and correct all leaks (see "Checking Gas Connections," page 18).</li> </ol>
Heater produces a clicking/ticking noise just after burner is lit or shut off.	<ol style="list-style-type: none"> <li>1. Metal is expanding while heating or contracting while cooling.</li> </ol>	<ol style="list-style-type: none"> <li>1. This is common with most heaters. If noise is excessive, contact qualified service technician.</li> </ol>

## TROUBLESHOOTING

PROBLEM	POSSIBLE CAUSE	CORRECTIVE ACTION
White powder residue forming within burner box or on adjacent walls or furniture.	1. When heated, the vapors from furniture polish, wax, carpet cleaners, etc., turn into white powder residue.	1. Turn heater off when using furniture polish, wax, carpet cleaner or similar products.
Heater produces unwanted odors.	1. Heater is burning vapors from paint, hair spray, glues, etc. See IMPORTANT statement, page 23. 2. Gas leak. See Warning Statement, page 23. 3. Low fuel supply.	1. Ventilate room. Stop using odor causing products while heater is running. 2. Locate and correct all leaks (see "Checking Gas Connections," page 18). 3. Refill supply tank (Propane /LP models).
Heater shuts off in use (ODS operates).	1. Not enough fresh air is available. 2. Low line pressure. 3. ODS/pilot is partially clogged.	1. Open window and/or door for ventilation. 2. Contact local gas supplier. 3. Clean ODS/pilot (see Care and Maintenance, page 21-22).
Gas odor exists even when control knob is in OFF position.	1. Gas leak. See Warning Statement at top of page 23. 2. Control valve is defective.	1. Locate and correct all leaks (see "Checking Gas Connections", page 18). 2. Contact customer service.
Moisture/condensation noticed on windows.	1. Not enough combustion/ventilation air.	1. Refer to "Air for Combustion and Ventilation" requirements, page 8-10.
Slight smoke or odor during initial operation	1. Residues from manufacturing process.	1. Problem will stop after a few hours of operation.
Heater produces a whistling noise when burner is lit.	1. Turning control knob to high (5) position when burner is cold. 2. Air in gas line.  3. Air passageways on heater are blocked. 4. Dirty or partially clogged burner orifice.	1. Turn control knob to low (1) position and let warm up for a minute. 2. Operate burner until air is removed from line. Have gas line checked by local propane/LP gas company. 3. Observe minimum installation clearances (Fig. 6, page 11) 4. Clean burner (see Care and Maintenance, page 21-22) or contact customer service.

## REPLACEMENT PARTS

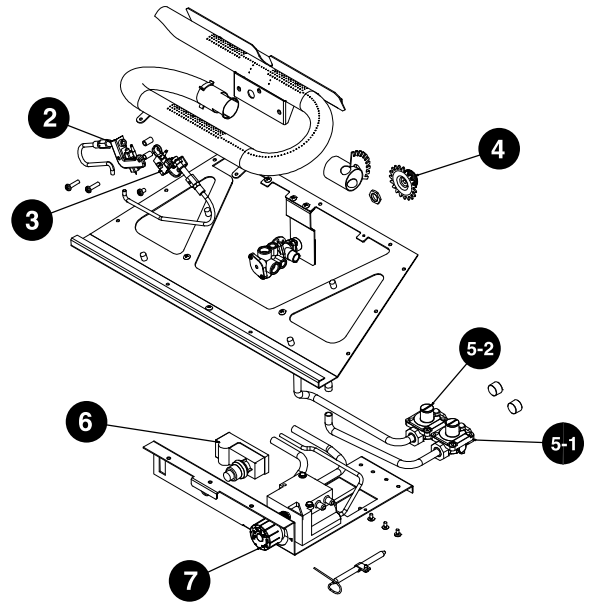
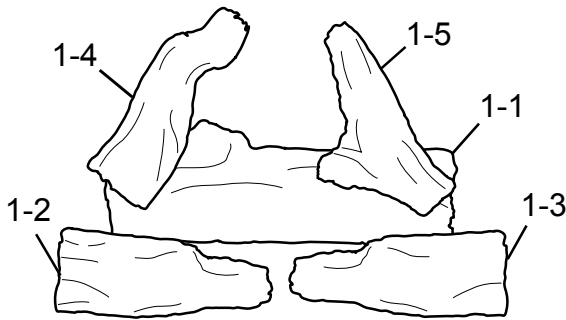
For replacement parts, call our Technical Service Department at 1-877-447-4768, 8:30 a.m. –4:30 p.m., CST, Monday – Friday.



ITEM No.	DESCRIPTION	QTY	PART NUMBER	
			VFS2-L20DT VFS2-PH20DT	VFS2-L30DT VFS2-PH30DT
1	Screen Assembly	1	EXP-A3007	EXP-A3005A
2	Legs	4	EXP-3039	EXP-3004ipt
3	Control Cover Knob	1	N/A	EXP-3044

## REPLACEMENT PARTS LIST

For replacement parts, call our Technical Service Department at 1-877-447-4768, 8:30 a.m. –4:30 p.m., CST, Monday – Friday.

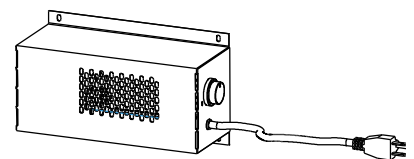


ITEM No.	DESCRIPTION	QTY	PART NUMBER	
			VFS2-L20DT VFS2-PH20DT	VFS2-L30DT VFS2-PH30DT
1	Log Set (complete)	1	700-S1018	700-M1018
1 - 1	Log 1	1	700-S1018-01	700-M1018-01
1 - 2	Log 2	1	700-S1018-02	700-M1018-02
1 - 3	Log 3	1	700-S1018-03	700-M1018-03
1 - 4	Log 4	1	700-S1018-04	700-M1018-04
1 - 5	Log 5	1	700-S1018-05	700-M1018-05
2	ODS Pilot - NG	1	GZ20-30B	GZ20-30B
3	ODS Pilot - LP	1	GZ20-29B	GZ20-29B
4	Selector Knob	1	GZ20-17	GZ20-17
5 - 1	Regulator, (NG) 5" WC	1	GR-130(20k)	GR-130(30k)
5 - 2	Regulator, (LP) 10" WC	1	GR-130A(20k)	GR-130A(30k)
6	Ignitor Module	1	GZ20-32a	GZ20-32a
7	Control Valve, EuroSIT 630	1	0630560	0630560

## ACCESSORIES

**NOTICE:** All accessories may not be available for all heater models.

**BLOWER KIT - PBAR-2427** For all models. Provides better heat distribution. Makes heater more efficient.





# Warranty

## LIMITED WARRANTY:

This limited warranty is extended to the original retail purchaser of this heater and warrants against any defect in materials and workmanship for a period of two (2) years from the date of retail sale. GHP Group, Inc., at its option, will either provide replacement parts or replace or repair the unit, when properly returned to the retailer where purchased or one of our service centers as directed by GHP Group, Inc., within two (2) years of retail purchase. (Shipping costs, labor costs, etc. are the responsibility of the purchaser.)

## DUTIES OF THE OWNER:

This heating appliance must be operated in accordance with the written instructions furnished with this heater. This warranty shall not excuse the owner from properly maintaining this heater in accordance with the written instructions furnished with this heater. A bill of sale, canceled check or payment record must be kept to verify purchase date and establish warranty period. Original carton should be kept in case of warranty return of unit.

## WHAT IS NOT COVERED:

1. Damage resulting from use of improper fuel.
2. Damage caused by misuse or use contrary to the owners manual and safety guidelines.
3. Damage caused by a lack of normal maintenance.
4. Use of non-standard parts or accessories.
5. Damage caused in transit. Freight charges on warranty parts or heaters to and from the factory shall be the responsibility of the owner.

This warranty does not imply or assume any responsibility for consequential damages that may result from the use, misuse, or the lack of routine maintenance of this heating appliance. A cleaning fee and the cost of parts may be charged for appliance failures resulting from lack of maintenance. This warranty does not cover claims which do not involve defective workmanship or materials. **FAILURE TO PERFORM GENERAL MAINTENANCE (INCLUDING CLEANING) WILL VOID THIS WARRANTY.**

THIS LIMITED WARRANTY IS GIVEN TO THE PURCHASER IN LIEU OF ALL OTHER WARRANTIES, EXPRESSED OR IMPLIED, INCLUDING BUT NOT LIMITED TO THE WARRANTIES OF MERCHANTABILITY OF FITNESS FOR A PARTICULAR PURPOSE, THE REMEDY PROVIDED IN THIS WARRANTY IS EXCLUSIVE AND IS GRANTED IN LIEU OF ALL OTHER REMEDIES. IN NO EVENT WILL GHP GROUP, INC. BE LIABLE FOR INCIDENTAL OR CONSEQUENTIAL DAMAGES.

Some states do not allow limitations on how long an implied warranty lasts, so the above limitation may not apply to you. Some states do not allow the exclusion or limitation of incidental or consequential damages so the above limitation or exclusion may not apply to you.

## CLAIMS HANDLED AS FOLLOWS:

1. Contact your retailer and explain the problem.
2. If the retailer is unable to resolve the problem, contact our Customer Service Dept, detailing the heater model, the problem, and proof of date of purchase.
3. A representative will contact you. DO NOT RETURN THE HEATER TO GHP GROUP, INC. unless instructed by our Representative. This warranty gives you specific legal rights and you may also have other rights which vary from state to state.

TO REGISTER THE WARRANTY ON YOUR HEATER, PLEASE FILL OUT THIS CARD COMPLETELY AND MAIL WITHIN 14 DAYS FROM DATE OF PURCHASE OR REGISTER ON-LINE AT [www.ghpgroupinc.com](http://www.ghpgroupinc.com)

NAME: \_\_\_\_\_ PHONE: (     ) \_\_\_\_\_ EMAIL: \_\_\_\_\_  
ADDRESS: \_\_\_\_\_ CITY: \_\_\_\_\_ STATE: \_\_\_\_\_ ZIP: \_\_\_\_\_  
MODEL: \_\_\_\_\_ SERIAL #: \_\_\_\_\_ DATE PURCHASED: \_\_\_\_\_  
DEALER PURCHASED FROM: \_\_\_\_\_ TYPE OF STORE: \_\_\_\_\_  
CITY & STATE WHERE PURCHASED: \_\_\_\_\_ PRICE PAID: \_\_\_\_\_

**Please Take a Minute To Give Us Your Answers To The Following Questions.**

**All Responses Are Used Solely For Market Research And Are Held In Strict Confidence.**

Who primarily decided this purchase?  Male  Female  18-24  25-39  40-59  60 and over  
Purpose of Purchase? \_\_\_\_\_  
Do you own any other portable heaters?  Yes  No If yes, type \_\_\_\_\_ brand \_\_\_\_\_  
How do you intend to use your new heater?  Construction Site  Farm  Warehouse/Commercial  Garage/Outbuilding  Other  
How did you become aware of this heater?  In-Store Display  Newspaper Ad  Magazine Ad  Friend/Relative  
 TV Commercial  Store Salesperson  Other \_\_\_\_\_  
What made you select this heater?  Style  Size/Portability  Price  Package  Brand  Other \_\_\_\_\_  
Do you:  own  rent Would you recommend this heater to a friend?  Yes  No  
Please give us your comments: \_\_\_\_\_

THANK YOU FOR COMPLETING THIS FORM!

Information will be held confidential.

## **WARRANTY REGISTRATION**

**IMPORTANT:** We urge you to fill out your warranty registration card within fourteen (14) days of date of purchase. You can also register your warranty on the internet at [www.ghpgroupinc.com](http://www.ghpgroupinc.com). Complete the entire serial number. Retain this portion of the card for your records.



**GHP Group, Inc.**  
6440 W Howard St  
Niles, IL 60714-3302

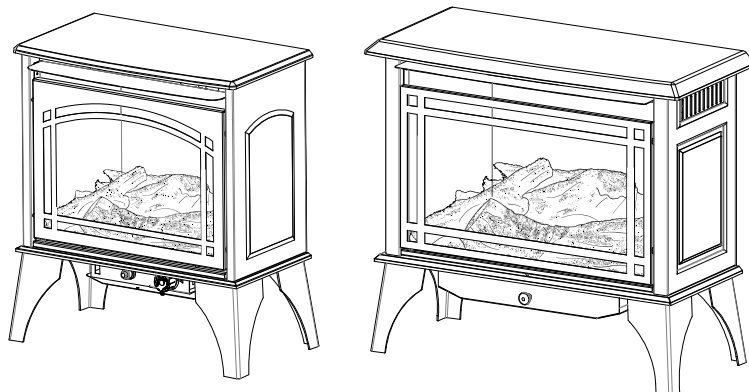
Tel: (877) 447-4768  
[www.ghpgroupinc.com](http://www.ghpgroupinc.com)

**SAVE THIS CARD!**

Place  
Postage  
Stamp  
Here

**GHP Group, Inc.**  
6440 W Howard St  
Niles, IL 60714-3302

**⚠ ADVERTENCIA:**  
Este dispositivo está  
equipado para gas  
(natural y propano).  
La conversión de  
campo no está  
permitida a menos  
que sea entre gases  
natural y propano.



Pendiente de patente  
istema de Combustible Dual



Combustible dual



US

ANSI Z21.11.2-2013

**⚠ PRECAUCIÓN- PARA SU SEGURIDAD**

**⚠ ADVERTENCIA: SI NO SE SIGUE CON EXACTITUD LA INFORMACIÓN EN ESTE MANUAL, PUEDE RESULTAR UN INCENDIO O EXPLOSIÓN OCASIONANDO DAÑOS A LA PROPIEDAD, LESIONES PERSONALES O LA MUERTE.**

- No almacene ni use gasolina ni otros vapores y líquidos inflamables en la vecindad de este o cualquier otro aparato.
- QUÉ HACER SI HUELE A GAS**
- No trate de encender ningún aparato.
- No toque ningún interruptor eléctrico; no use ningún teléfono en su edificio.
- Llame de inmediato a su proveedor de gas del teléfono de un vecino. Siga las instrucciones del proveedor de gas.
- Si no puede contactar a su proveedor de gas, llame al Cuerpo de Bomberos.
- La instalación y el servicio deben ser hechos por un electricista calificado, agencia de servicio o el proveedor de gas.

Este es un calefactor accionado por gas no ventilado. Utiliza aire (oxígeno) de la habitación en la cual está instalado. Deben tomarse medidas para una combustión y aire de ventilación adecuados. Consulte la sección Aire para la combustión y ventilación, páginas 8 a 10 de este manual.

**INSTALADOR: Deje este manual con el dispositivo.  
CONSUMIDOR: Conserve este manual para uso futuro.**

Este aparato debe instalarse en una casa móvil prefabricada localizada permanentemente, de un mercado de piezas de repuesto, donde no esté prohibida por los códigos locales. Este aparato es solamente para uso con propano o gas natural Este aparato está equipado con un medio simple para conmutar entre propano y gas natural. La conversión de campo por cualquier otro medio incluyendo el uso de un juego no está permitido.



¿Tiene preguntas, problemas, o faltan piezas? Antes de regresar a su tienda minorista, llame a nuestro departamento de servicio al cliente al 1-877-447-4768, de lunes a viernes de 8:30 a.m. a 4:30 p.m. hora estándar del Centro, o escríbanos a [customerservice@ghpgroupinc.com](mailto:customerservice@ghpgroupinc.com).

IMVFSG2L - 2017-03-13

**⚠ ADVERTENCIA:** Cualquier pantalla o protección de seguridad retirada para dar servicio a un aparato debe volverse a colocar antes de la operación del calefactor.

**⚠ ADVERTENCIA:** Si este aparato se va a instalar directamente sobre alfombra, baldosa u otro material combustible, que no sea piso de madera, el aparato debe ser instalado sobre un panel metálico o de madera que se extienda en la anchura y profundidad completas del aparato.

**⚠ ADVERTENCIA:** Este soplador opcional está equipado con un enchufe de tres terminales (conexión a tierra) para su protección contra peligro de choque eléctrico y debe ser conectado directamente en un receptáculo de tres terminales con conexión a tierra apropiada.

El calefactor debe ser desconectado del suministro de gas antes de instalar los accesorios del ventilador. Contacte a una persona de servicio calificada para hacer esto.

## TABLA DE CONTENIDO

Especificaciones.....	2
Información de seguridad importante.....	3
Identificación del producto.....	5
Características del producto.....	6
Desempaque.....	6
Preparación para la instalación.....	7
Instalación.....	10
Operación.....	19
Cuidado y mantenimiento.....	21
Resolución de fallas.....	23
Piezas de repuesto.....	26
Accesorios.....	27
Garantía.....	29

**⚠ ADVERTENCIA:** Lea las Instrucciones de instalación y operación antes de usar este aparato. **IMPORTANTE:** Lea cuidadosamente todas las instrucciones y advertencias antes de comenzar la instalación. No seguir estas instrucciones puede resultar en posibles lesiones a las personas o peligro de incendio y anulará la garantía.

Modelo	VFS2-L20DT VFS2-PH20DT		VFS2-L30DT VFS2-PH30DT	
Capacidad nominal de entrada	20,000 BTU/Hr		30,000 BTU/Hr	
Capacidad mínima de entrada	16,000 BTU/Hr	10,000 BTU/Hr	24,000 BTU/Hr	15,000 BTU/Hr
Tipo de gas	PL	GN	PL	GN
Presión del distribuidor	10 pulg. de columna de agua	5 pulg. de columna de agua	10 pulg. de columna de agua	5 pulg. de columna de agua
Presión máxima de operación	14 pulg. de columna de agua	14 pulg. de columna de agua	14 pulg. de columna de agua	14 pulg. de columna de agua
Presión mínima de entrada	11 pulg. de columna de agua	6 pulg. de columna de agua	11 pulg. de columna de agua	6 pulg. de columna de agua

### CONSEJOS DE SERVICIO

#### Cuando la presión del gas es demasiado baja


- el piloto no se mantiene encendido
- los quemadores tienen ignición retrasada
- el calefactor no producirá el calor especificado
- para unidades de propano/PL, el suministro de gas propano/PL puede estar bajo

Usted puede sentir que la presión del gas está demasiado baja. Si es así, póngase en contacto con su proveedor local de gas natural o propano/PL.

## **INFORMACIÓN DE SEGURIDAD IMPORTANTE**

**IMPORTANTE:** Por favor, lea cuidadosa y completamente este manual del propietario antes de intentar ensamblar, operar o darle servicio a este calefactor. El uso inapropiado de este calefactor puede causar lesiones graves o la muerte por quemaduras, incendio, explosión, choque eléctrico y envenenamiento por monóxido de carbono.


Solamente un instalador calificado, un agente de servicio o el proveedor local de gas puede instalar y darle servicio a este producto.


 **ADVERTENCIA:** No almacene ni use gasolina ni otros vapores o líquidos inflamables en la vecindad de este o cualquier otro aparato.

 **ADVERTENCIA:** Este aparato puede ser usado con propano o gas natural. Es enviado de la fábrica ajustado para ser usado con propano.


**PELIGRO DE ENVENENAMIENTO CON MONÓXIDO DE CARBONO:** Las señales tempranas de envenenamiento con monóxido de carbono se parecen a la gripe con dolores de cabeza, mareos o náusea. Si tiene estas señales, el calefactor puede no estar funcionando adecuadamente. ¡Respire aire fresco de inmediato! Haga que se le de servicio al calefactor. Algunas personas resultan más afectadas que otras por el monóxido de carbono. Estas incluyen mujeres embarazadas, personas con enfermedades del corazón o pulmones, personas anémicas, personas bajo la influencia del alcohol y las que viven a grandes altitudes.


**GAS NATURAL Y PROPANO/PL:** El gas natural y el propano/PL son inodoros. Un agente generador de olor se agrega al gas. El agente ayuda a detectar una fuga de gas. Sin embargo, el olor agregado al gas puede desaparecer. El gas puede estar presente a pesar de que no se sienta olor. Asegúrese de leer y comprender todas las advertencias. Conserve este manual para referencia. Es su guía para operar este calefactor de forma segura.


 **ADVERTENCIA:** Cualquier cambio a este calefactor o a sus controles puede ser peligroso.


 **ADVERTENCIA:** No use ningún accesorio no aprobado para uso con este calefactor.

 **ADVERTENCIA:** Supervise cuidadosamente a niños pequeños cuando estén en la habitación con el calefactor.

 **ADVERTENCIA:** El calefactor se calienta mucho cuando está en funcionamiento. Mantenga a los niños y adultos lejos de las superficies calientes para evitar quemaduras o ignición de la ropa. El calefactor permanecerá caliente durante un tiempo después de apagarse. Deje que las superficies enfríen antes de tocarlo.

 **ADVERTENCIA:** Mantenga el área del aparato despejada y libre de materiales combustibles, gasolina y otros vapores y líquidos inflamables.

 **ADVERTENCIA:** Debido a las altas temperaturas, ubique este aparato fuera del tráfico y lejos de muebles y cortinajes.

 **ADVERTENCIA:** No coloque ropa ni otro material inflamable en o cerca del aparato. Nunca coloque ningún objeto en el calefactor.

### **PROPUESTA 65 DE CALIFORNIA**

Los combustibles usados en aparatos accionados por gas u aceite y los productos de combustión de tales combustibles contienen sustancias químicas que el Estado de California sabe producen cáncer o defectos de nacimiento u otros daños reproductivos. Este producto contiene sustancias químicas, incluyendo plomo y compuestos de plomo, que el Estado de California sabe producen cáncer o defectos de nacimiento u otros daños reproductivos. **Lávese las manos después de su manipulación.**

## INFORMACIÓN DE SEGURIDAD

1. Este aparato es solo para ser usado con el tipo de gas indicado en la placa de características. Este aparato no es convertible para uso con otros gases.
2. No coloque el(los) tanque(s) de suministro de propano/PL dentro de ninguna estructura. Coloque el(los) tanque(s) de suministro de propano/PL en exteriores.
3. Si huele a gas
  - apague el suministro de gas
  - no trate de encender ningún aparato
  - no toque ningún interruptor eléctrico; no use ningún teléfono en su edificio
  - llame de inmediato a su proveedor de gas del teléfono de un vecino. Siga las instrucciones del proveedor de gas.
  - si no puede contactar a su proveedor de gas, llame al Cuerpo de Bomberos
4. Este calefactor no debe instalarse en una habitación o baño.
5. No use este calefactor como un calefactor para quemar madera. Use solamente los leños proporcionados con el calefactor.
6. No agregue leños extra ni ornamentos como conos de pino, vermiculita o lana de roca. El uso de estos artículos agregados puede producir hollín. No agregue roca de lava alrededor de la base. La roca y desechos pueden caer dentro del área de control del calefactor.
7. Este calefactor está diseñado para no producir humo. Si parece ser que los leños producen humo, apague el calefactor y llame a una persona de servicio calificada. Nota: Durante la operación inicial, podría producirse poco humo debido al curado de los leños y al quemado de residuos de fabricación del calefactor.
8. Para evitar la creación de hollín, siga las instrucciones de Limpieza y mantenimiento, páginas 21-22.
9. Antes de usar pulidor de mueble, cera, limpiador de alfombra o productos similares, apague el calefactor. Si se calienta, los vapores de estos productos pueden crear un residuo de polvo blanco dentro de la caja del quemador o en paredes adyacentes o muebles.
10. Este calefactor necesita ventilación de aire fresco para que funcione apropiadamente. Este calefactor tiene un sistema de apagado de seguridad de Detección de disminución de oxígeno (ODS). El ODS apaga el calefactor si no está disponible suficiente aire fresco. Ver Aire para la combustión y ventilación, página 8. Si el calefactor se mantiene apagándose, vea Resolución de fallas, páginas 23 a 25.
11. No haga funcionar el calefactor
  - donde se almacenen o usen líquidos o vapores inflamables.
  - bajo condiciones de mucho polvo.
12. No use este calefactor para cocinar alimentos ni quemar papel u otros objetos.
13. Nunca coloque ningún objeto en el calefactor o en los leños.
14. No use este calefactor si alguna pieza ha estado bajo el agua. Llame de inmediato a un técnico de servicio calificado para inspeccionar el calefactor y reemplazar cualquier pieza del sistema de control y cualquier control del gas que haya estado bajo el agua.
15. Apague y desconecte el calefactor y deje que se enfríe antes de darle servicio. Solo una persona de servicio calificada debe darle servicio y reparar el calefactor.
16. La operación del calefactor sobre elevaciones de 4,500 pies podría causar un apagón del piloto.
17. No opere el calefactor si los leños están rotos. No opere el calefactor si los leños están astillados (del tamaño de una moneda de 10 centavos o más grandes).
18. Para evitar problemas de desempeño, no use tanque de combustible de propano/PL de menos de 100 lb. de capacidad.
19. Proporcione espacios libres adecuados alrededor de las aberturas de aire.

---

---

## AGENCIA DE INSTALACIÓN CALIFICADO

---

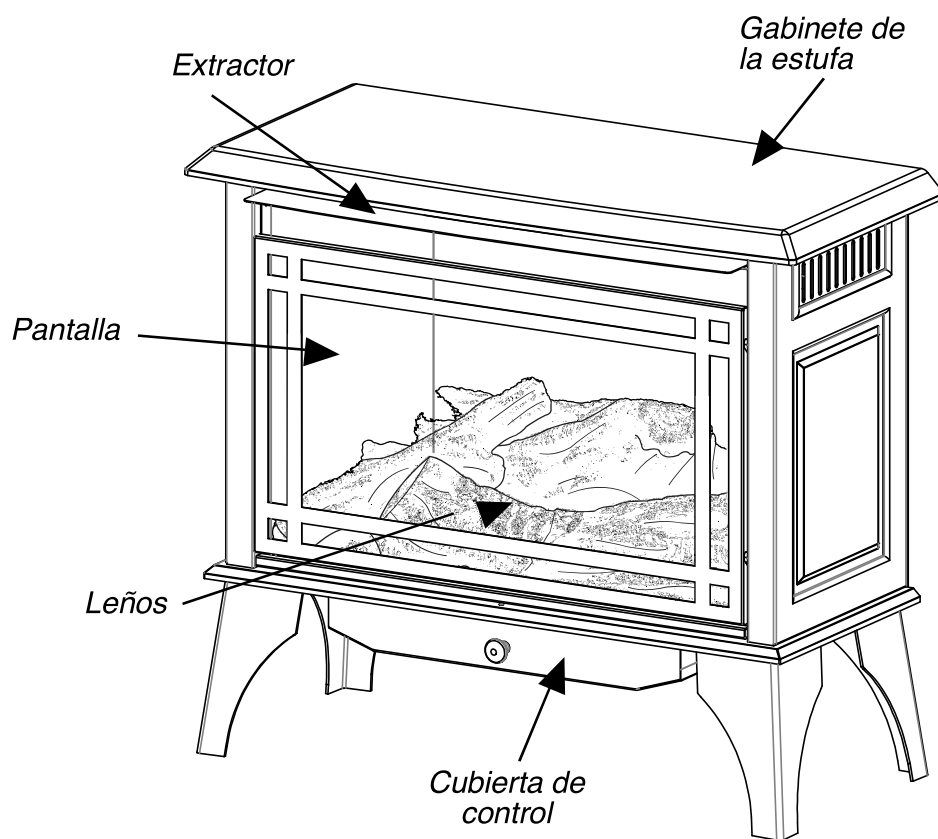
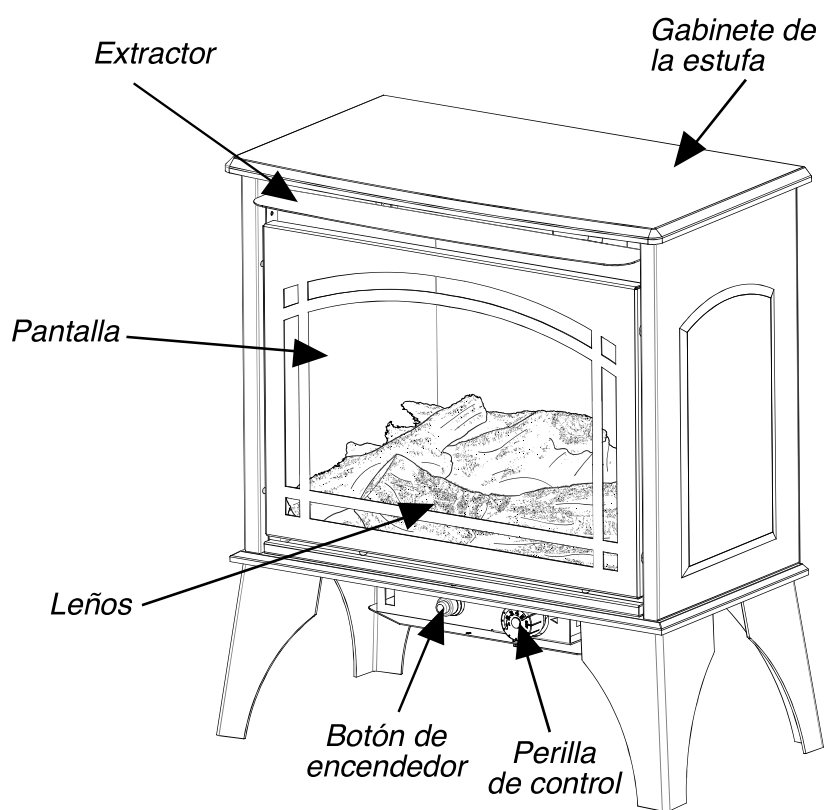
---

Solamente una agencia calificada debe instalar y reemplazar la tubería de gas, el equipo de utilización de gas o accesorios, y reparar y darle mantenimiento al equipo. El término "agencia calificada" significa una firma, corporación o empresa individual que, ya sea en persona o a través de un representante, participa en y es responsable de:

- a) Instalar, probar o reemplazar tubería de gas, o
- b) Conectar, instalar, probar, reparar o darle mantenimiento a equipo; que tenga experiencia en tal trabajo; que esté familiarizado con todas las precauciones requeridas; y que haya cumplido con todos los requisitos de la autoridad que tiene jurisdicción.

## IDENTIFICACIÓN DEL PRODUCTO

---



## CARACTERÍSTICAS DEL PRODUCTO

### PILOTO DE SEGURIDAD

Este calefactor tiene un piloto con un sistema de apagado de seguridad de Detección de disminución de oxígeno (ODS). El ODS/piloto apaga el calefactor si no hay suficiente aire fresco y corta el gas del quemador principal en el caso de que la llama se apague.

### SISTEMA DE IGNICIÓN ELÉCTRICA DE BOTÓN DE PRESIÓN

Este calefactor está equipado con un sistema de ignición electrónica de botón de presión. Este sistema requiere una batería AAA (proporcionada).

### CONTROL DE CALOR DEL TERMOSTATO

El control alterna automáticamente el apagado y encendido del quemador para mantener la temperatura deseada de la habitación.

### CAPACIDAD DE COMBUSTIBLE DUAL

Su calefactor está equipado para operar con gas propano o gas natural. El calefactor es enviado de la fábrica listo para ser conectado al propano. El calefactor puede ser fácilmente cambiado a gas natural haciendo que su instalador calificado siga las instrucciones en la página 14 y las marcas en el calefactor.

### JUEGO DEL SOPLADOR (OPCIONAL)

El juego del soplador ayuda a distribuir el aire caliente dentro del espacio más rápidamente.

**Estado de Massachusetts: La instalación debe ser hecha por un fontanero o técnico de gas calificado en la Commonwealth de Massachusetts. Los vendedores de calefactores complementarios de habitación no ventilados accionados por propano o gas natural deben proporcionar a cada comprador una copia de 527 CMR 30 con la venta de la unidad.**

**En el Estado de Massachusetts, los calefactores de espacio no ventilados accionados por propano o gas natural están prohibidos en dormitorios y baños.**

**En el Estado de Massachusetts la válvula de cierre del gas debe ser del tipo mango en T. El Estado de Massachusetts exige que un conector flexible de dispositivo no exceda de tres pies de longitud.**

### CÓDIGOS LOCALES

Instale y use el calefactor con cuidado. Siga todos los códigos. En ausencia de códigos locales, use la versión más reciente del Código Nacional de Gas Combustible, ANSI Z223.1, también conocido como NFPA 54\*.

\*Disponible en:

American National Standard Institute, Inc.  
1430 Broadway  
New York, NY 10018

National Fire Protection Association, Inc.  
1 Batterymarch Park  
Quincy, MA 02269-9101

Este calefactor está diseñado para operación de tiro natural. Los códigos estatales y locales en algunas áreas prohíben el uso de calefactores de tiro natural.

### DESEMPAQUE

1. Retire el gabinete del calefactor y el extractor de la caja. Los leños están envueltos y adentro del calefactor. No los retire en este momento.
2. Retire todo el empaque protector aplicado al calefactor para envío.
3. Asegúrese de que su calefactor incluya un paquete de herrajes.
4. Revise la chimenea en busca de daños de envío. Si la chimenea está dañada, llame a GHP Group, Inc., al 1-877-447-4768. No la devuelva a la tienda.

## PREPARACIÓN PARA LA INSTALACIÓN

---

### AIRE PARA LA COMBUSTIÓN Y VENTILACIÓN

**⚠ ADVERTENCIA:** Este calefactor no deberá ser instalado en una habitación o espacio a menos que el volumen requerido de aire de combustión de interiores sea proporcionado por el método descrito en el **Código Nacional de Gas Combustible, ANSI Z223.1/NFPA 54**, el **Código Internacional de Gas Combustible**, o códigos locales aplicables.

### CÓMO PRODUCIR UNA VENTILACIÓN ADECUADA

Todos los espacios en los hogares caen dentro de una de las siguientes clasificaciones de ventilación:

1. Construcción inusualmente hermética
2. Espacio no confinado
3. Espacio confinado

La información en las páginas 8 a 10 le ayudará a clasificar su espacio y proporcionar una ventilación adecuada.

#### Espacio confinado y no confinado

Un espacio confinado es un espacio cuyo volumen es menor de 50 pies cúbicos por 1,000 BTU/hr (4.8 m<sup>3</sup> por kw) de la capacidad nominal de entrada agregada de todos los aparatos instalados en ese espacio y un espacio no confinado es un espacio cuyo volumen no es menor de 50 pies cúbicos por 1,000 BTU/hr (4.8 m<sup>3</sup> por kw) de la capacidad nominal de entrada agregada de todos los aparatos instalados en ese espacio. Las habitaciones que se conectan directamente con el espacio en el cual están instalados\* los aparatos, mediante aberturas no proporcionadas con puertas, son consideradas una parte del espacio no confinado.

Este calefactor no deberá ser instalado en un espacio confinado o construcción inusualmente hermética a menos que se tomen medidas para una combustión y aire de ventilación adecuados.

\* Las habitaciones contiguas se conectan solo si hay pasillos sin puertas o rejillas de ventilación entre ellas.

#### Construcción inusualmente hermética

El aire que se filtra a través de puertas y ventanas puede brindar suficiente aire para la combustión y ventilación. Sin embargo, en edificios inusualmente herméticos, usted debe proporcionar aire fresco adicional.

La construcción inusualmente hermética se define como una construcción donde:

- a) las paredes y techos expuestos a la atmósfera exterior tienen un retardante continuo de agua y vapor con un valor de un perm (6x10<sup>-11</sup>kg por pa-seg-m<sup>2</sup>) o menos con aberturas con juntas o selladas y
- b) se han agregado burletes a las ventanas que se pueden abrir y en puertas y
- c) se ha aplicado masilla o selladores a áreas como juntas alrededor de los marcos de ventanas y puertas, entre zapatas y pisos, entre juntas pared-techo, entre paneles de pared, en penetraciones para líneas de fontanería, eléctricas y de gas, y en otras aberturas.

Si su hogar cumple con los tres criterios anteriores, usted debe proporcionar aire fresco adicional.

Consulte "Aire de ventilación desde el exterior" (página 9). Si su hogar no cumple con todos los tres criterios anteriores, proceda a la "Determinación del flujo de aire fresco a la ubicación del calefactor".

# PREPARACIÓN PARA LA INSTALACIÓN

## DETERMINACIÓN DEL FLUJO DE AIRE FRESCO A LA UBICACIÓN DEL CALEFACTOR

### Determinación de si tiene un espacio confinado o no confinado

Use esta hoja de cálculo para determinar si tiene un espacio confinado o no confinado.

**Espacio:** Incluye la habitación en la cual instalará el calefactor más cualquier habitación contigua a pasillos sin puertas o rejillas de ventilación entre las habitaciones.

1. Determine el volumen del espacio  $\text{Longitud} \times \text{Anchura} \times \text{Altura} = \text{pies cúbicos (volumen del espacio)}$   
Ejemplo: Tamaño del espacio 20 pies (longitud)  $\times$  16 pies (anchura)  $\times$  8 pies (altura del cielo raso) = 2560 pies cúbicos (volumen del espacio)

Si se suministra ventilación adicional a la habitación contigua mediante rejillas o aberturas, agregue el volumen de estas habitaciones al volumen total del espacio.

2. Divida el volumen del espacio entre 50 pies cúbicos para determinar los BTU/hr máximos que el espacio puede soportar.

\_\_\_\_\_ (volumen del espacio)  $\div$  50 pies cúbicos = (BTU/hr máximos que el espacio puede soportar)

Ejemplo: 2560 pies cúbicos (volumen del espacio)  $\div$  50 pies cúbicos = 51.2 o 51,200 (BTU/hr máximos que el espacio puede soportar)

3. Agregue los BTU/hr de todos los aparatos que queman combustible en el espacio.

Calefactor de tiro natural \_\_\_\_\_ BTU/hr

Calentador de agua a gas\* \_\_\_\_\_ BTU/hr

Horno a gas \_\_\_\_\_ BTU/hr

Calentador a gas venteado \_\_\_\_\_ BTU/hr Ejemplo:

Leños de calentador a gas \_\_\_\_\_ BTU/hr Calefactor de agua a gas 30,000 BTU/hr

Otros aparatos a gas\*+ \_\_\_\_\_ BTU/hr Calefactor de tiro natural + 26,000 BTU/hr

Total = \_\_\_\_\_ BTU/hr Total = 56,000 BTU/hr

\*No incluya aparatos a gas de ventilación directa. La ventilación directa extrae aire para la combustión del exterior y descarga al exterior.

4. Compare los BTU/hr máximos que el espacio puede soportar con la cantidad real de BTU/hr usadas.

\_\_\_\_\_ BTU/hr (máximos que el espacio puede soportar)

\_\_\_\_\_ BTU/hr (cantidad real de BTU/hr usados).

Ejemplo: 51,200 BTU/hr (máximos que el espacio puede soportar) 56,000 BTU/hr (cantidad real de BTU/hr usados)

El espacio en el ejemplo anterior es un espacio confinado porque los BTU/hr reales usados es más que los BTU/hr máximos que el espacio puede soportar.

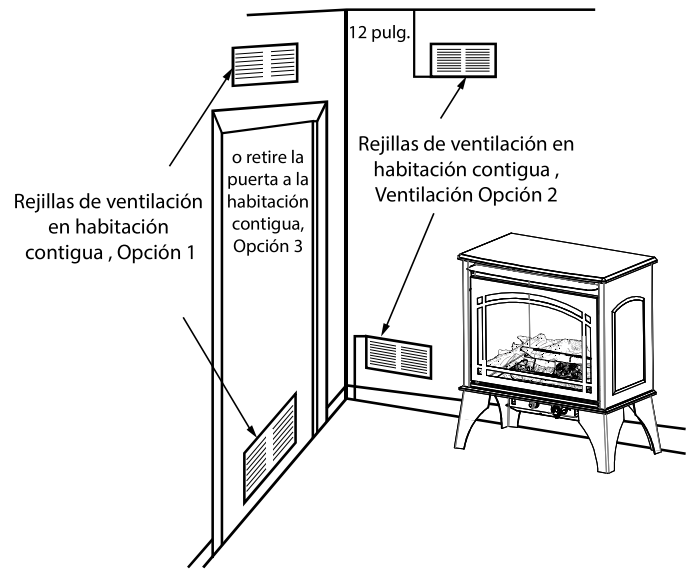
Usted debe proporcionar aire fresco adicional. Sus opciones son las siguientes:

- Revise la hoja de cálculo, agregando el espacio de una habitación contigua. Si el espacio extra proporciona un espacio no confinado, retire la puerta de la habitación contigua o agregue rejillas de ventilación entre las habitaciones. Consulte "Aire de ventilación desde el interior del edificio," página 9.
- Ventile la habitación directamente al exterior. Consulte "Aire de ventilación desde el exterior", página 9.
- Instale un calefactor de menos BTU/hr si el tamaño de menos BTU/hr hace que la habitación sea confinada. Si la cantidad de BTU/hr reales usados es menor que los BTU/hr máximos que el espacio puede soportar, el espacio es un espacio no confinado. No necesitará ventilación adicional de aire fresco.

## PREPARACIÓN PARA LA INSTALACIÓN

### Aire de ventilación desde el interior del edificio

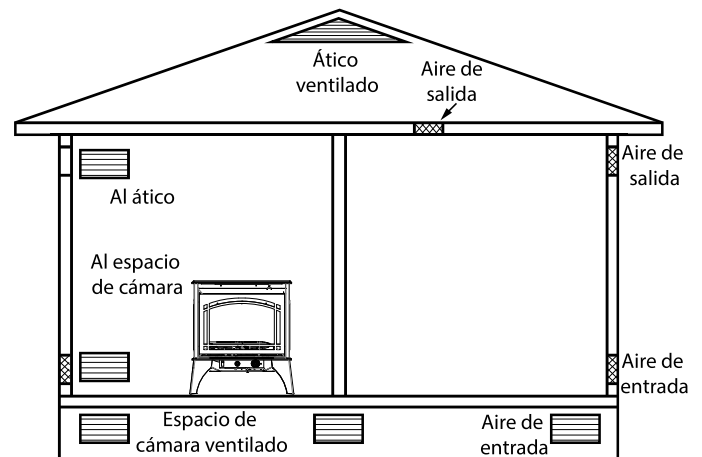
Este aire fresco vendría del espacio no confinado contiguo. Cuando se ventila a un espacio no confinado contiguo, debe proporcionar dos aberturas permanentes: una dentro de 12 pulg. de la pared que conecta los dos espacios (ver opciones 1 y 2, Fig. 4). También puede retirar la puerta de la habitación contigua (ver opción 3, Fig. 4). Siga el Código Nacional de Gas Combustible NFPA 54/ANS Z223.1. Aire para la combustión y ventilación para el tamaño requerido de las rejillas o ductos de ventilación.



**Fig. 4 - Aire de ventilación desde el interior del edificio**

Proporcione aire fresco extra usando rejillas o ductos de ventilación. Debe proporcionar dos aberturas permanentes: una dentro de 12 pulg. del techo y otra dentro de 12 pulg. del piso. Conecte estos artículos directamente al exterior o a espacios abiertos al exterior. Estos espacios incluyen áticos y cámaras. Siga el Código Nacional de Gas Combustible NFPA 54/ANS Z223.1. Aire para la combustión y ventilación para el tamaño requerido de las rejillas o ductos de ventilación.

**IMPORTANTE:** No proporcione aberturas para aire de entrada o salida en el ático si este tiene un respiradero de potencia controlado por termostato. El aire caliente que ingresa al ático activará el respiradero de potencia. Revise la hoja de cálculo, agregando el espacio del espacio contiguo no confinado. Los espacios combinados deben tener suficiente aire fresco para abastecer a todos los aparatos en ambos espacios.



**Fig. 5 - Aire de ventilación desde el exterior**

## INSTALACIÓN

---

**⚠ AVISO:** Este calefactor está diseñado para ser usado como calor complementario. Use este calefactor junto con su sistema de calefacción primario. No instale este calefactor como su fuente primaria de calor. Si tiene un sistema de calefacción central, puede poner a funcionar un soplador de circulación del sistema mientras usa el calefactor. Esto ayudará a hacer circular el calor en toda la casa.

**⚠ ADVERTENCIA:** Un técnico calificado debe instalar el calefactor. Siga todos los códigos locales.

**⚠ ADVERTENCIA:** Nunca instale el calefactor:

- en un dormitorio o baño
- en un vehículo recreativo
- donde cortinas, muebles, ropa, etc. u otros objetos inflamables estén a menos de 42 pulg. del frente, parte superior o lados del calefactor.
- en áreas de alto tráfico
- en áreas donde hace mucho viento o con corrientes de aire

**⚠ ADVERTENCIA:** Mantenga los espacios libres mínimos. De ser posible, proporcione espacios libres más grandes que los requeridos desde el piso, techo y pared contigua.

**⚠ PRECAUCIÓN:** Este calentador crea corrientes de aire caliente. Estas corrientes mueven calor a las superficies de las paredes contiguas al calefactor. La instalación del calefactor cerca de revestimientos de vinilo o de tela para pared o la operación del calefactor donde existan impurezas (como humo de tabaco, velas aromáticas, líquidos de limpieza, aceite o lámparas de queroseno, etc.) en el aire, puede hacer que las paredes se decoloren.

**IMPORTANTE:** Los calefactores de tiro natural agregan humedad al aire. Aunque esto es beneficioso, la instalación del calefactor en habitaciones sin suficiente aire de ventilación puede hacer que se forme moho debido a demasiada humedad. Consulte Aire para la combustión y ventilación, páginas 8 a 10.

### COMPRUEBE EL TIPO DE GAS

Asegúrese de que su suministro de gas sea el correcto para su calefactor.

### ESPACIOS LIBRES PARA COMBUSTIBLES

Siga las siguientes instrucciones con mucho cuidado. Este calefactor es una unidad de montaje en pared diseñada para que asiente directamente en la base del marco.

**IMPORTANTE:** Mantenga los espacios libres mínimos mostrados en la Figura 6 de la página 11. Si puede, proporcione espacios libres más grandes desde el piso, techo y pared contigua.

## INSTALACIÓN

### ESPACIOS LIBRES del calefactor

- ⚠ PRECAUCIÓN:** Si instala el calefactor en la cochera de su casa
- el piloto y el quemador del calefactor deben estar al menos a 18 pulg. sobre el piso.
  - coloque el calefactor donde vehículos en movimiento no lo golpeen.

Por conveniencia y eficiencia, instale el calefactor:

- donde haya fácil acceso para la operación, inspección y servicio
- en la parte más fría de la habitación
- Si este aparato se va a instalar directamente sobre alfombra, baldosa u otro material combustible, que no sea piso de madera, el aparato debe ser instalado sobre un panel metálico o de madera que se extienda en la anchura y profundidad completas del aparato.

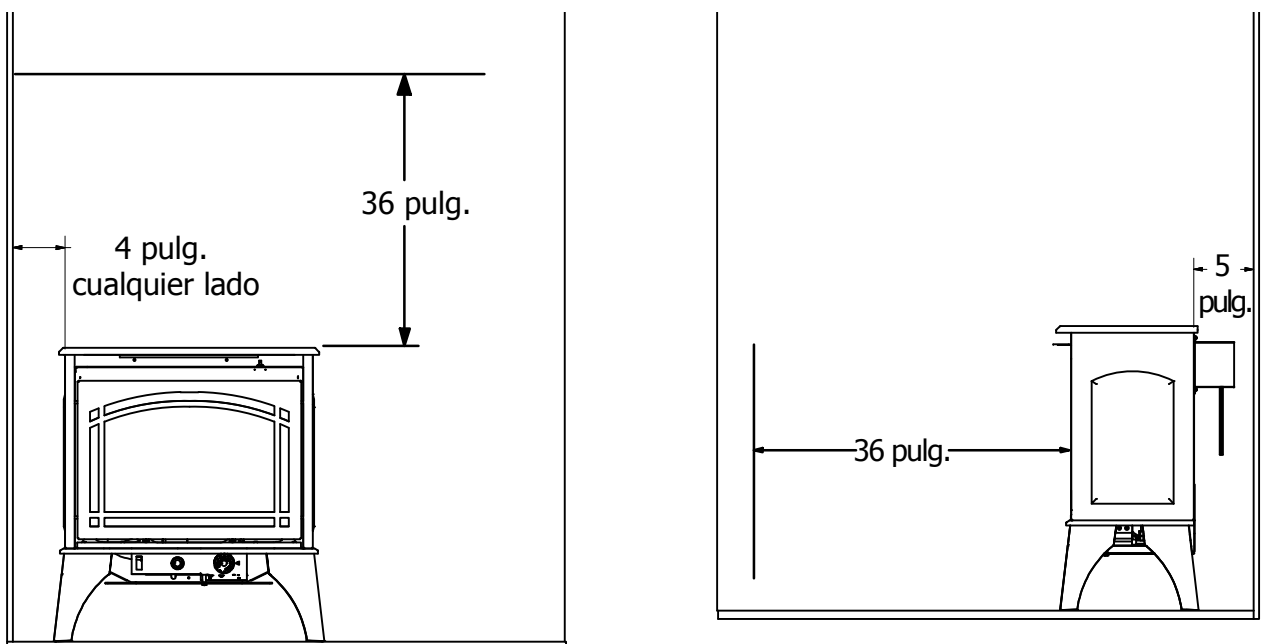
Un juego de soplador opcional está disponible en su tienda minorista. Consulte Accesorios, página 27. Si planea usar soplador, siga las instrucciones proporcionadas con el soplador para la fuente de energía.

#### Espacios libres mínimos para material combustible lateral, pared lateral y techo

A. Los espacios libres del lado del gabinete del calefactor a cualquier material combustible y la pared deben seguir el diagrama en la Figura 6.

B. Los espacios libres desde la parte superior del calefactor a cualquier superficie combustible no deben ser menores de 36 pulg.

C. Los espacios libres desde el frente del calefactor a cualquier superficie combustible no deben ser menores de 36 pulg.



**Fig. 6 - Espacio libre mínimo a material combustible**

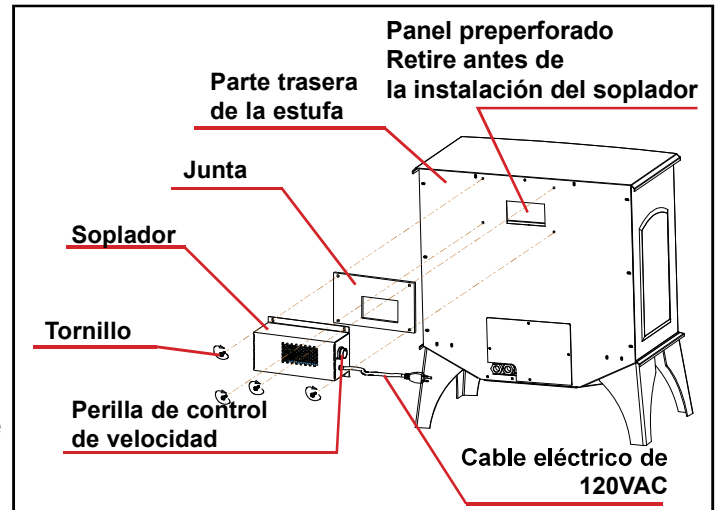
## INSTALACIÓN

### INSTALACIÓN DEL SOPLADOR (OPCIONAL)

El soplador se instalará en la parte trasera de la estufa, en el protector térmico trasero. Alinee el soplador y los agujeros de montaje de la junta con los del protector térmico trasero.

### INFORMACIÓN DEL SOPLADOR DE TIRO NATURAL

Este soplador es un soplador tipo tangenciales. Está diseñado para dirigir el aire caliente radiante de la parte trasera de la estufa al frente a una velocidad baja. NO espere sentir un gran volumen de aire cuando esté de pie enfrente de la estufa.



El soplador NO es controlado termostáticamente. La velocidad del soplador es controlada manualmente con velocidades variables, que se seleccionan girando hacia la derecha la perilla de control de la velocidad. Cuando oriente el cable eléctrico, asegúrese de que el cable no entre en contacto con ninguna superficie caliente. El voltaje de operación es de 110 a 120 VAC a 60 ciclos.

**IMPORTANTE:** Asegúrese de que el soplador y la junta estén orientados correctamente. La rueda del soplador y los cortes de la junta deben alinearse con el corte en el protector térmico trasero. Sujete el soplador y la junta en el protector térmico trasero usando los cuatro (4) tornillos proporcionados. NO apriete demasiado los tornillos. Asegúrese de conectar el soplador en un tomacorriente de 2 clavijas con conexión a tierra. NO haga alteraciones con la clavija de tierra en el cable.

**⚠ ADVERTENCIA:** NO sumerja el soplador en ningún líquido. Esto creará un peligro de choque eléctrico. Desconecte la energía antes de instalar o dar servicio a esta unidad.

**⚠ PRECAUCIÓN:** Es necesario que se tomen extremas precauciones cuando cualquier ventilador es usado por o cerca de niños o inválidos y siempre que el ventilador se deje funcionando y desatendido.

### LIMPIEZA

Se recomienda limpieza periódica del soplador. La acumulación de polvo o suciedad podría restringir significativamente el flujo de aire. La restricción en el flujo de aire reducirá la eficiencia del soplador y posiblemente dañara el motor.

# INSTALACIÓN

## Instrucciones Para La Instalación De Batería

Paso 1 - Localice el encendedor electrónica de botón de presión mediante la reducción de la cubierta en la parte inferior de la estufa. (Figura 1)

Paso 2 - Desenroscar el casquillo en el encendedor Electrónica de botón de presión con sus dedos girándola hacia la izquierda. (Figura 2)

Paso 3 - Inserte la batería con el lado positivo (+) hacia adelante.

Paso 4 - Reemplazar el casquillo girándolo en sentido horario hasta que el casquillo quede apretado.

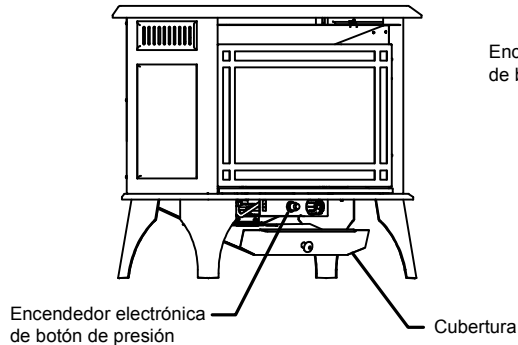


Figura 1

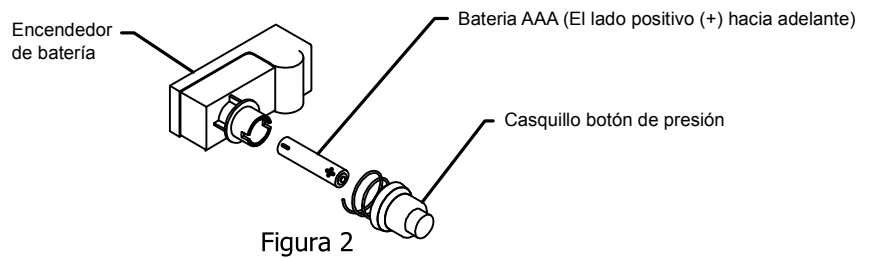
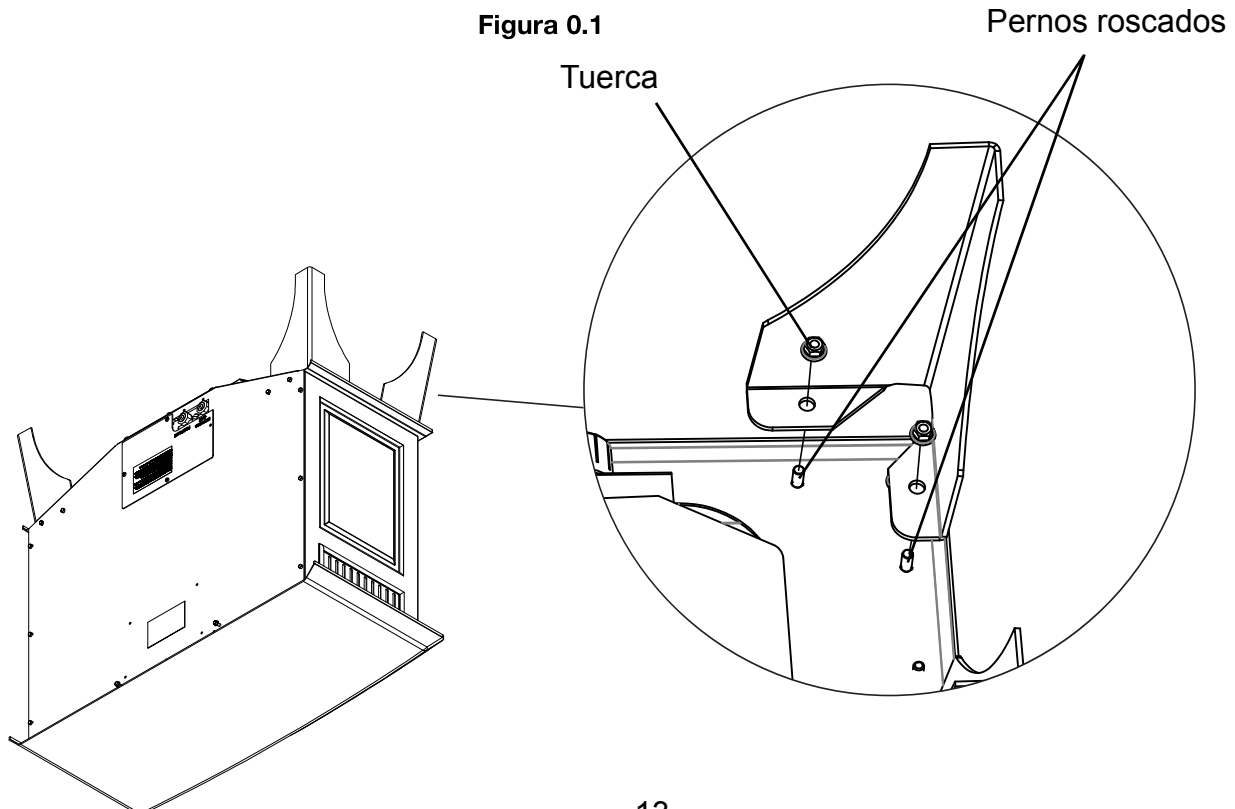


Figura 2

## INSTALACIÓN DE LOS LEÑOS (si se requiere)

Antes de instalar el calefactor, siga estos pasos de instalación de los leños.

1. Coloque una manta o cartón en el piso para crear una superficie acolchada.
2. Con ayuda, coloque con cuidado la estufa sobre su parte superior en la superficie acolchada.
3. Inserte los agujeros de una pata en los dos (2) pernos roscados mostrados en la Figura 0.1.
4. Apriete las tuercas con seguridad (NO apriete demasiado) en los pernos roscados.
5. Repita los pasos 3 y 4 para instalar las otras tres (3) patas.
6. Con ayuda, levante la estufa de la superficie acolchada y colóquela vertical sobre las patas recién instaladas.



# INSTALACIÓN

## INSTRUCCIONES DE SELECCIÓN DEL GAS

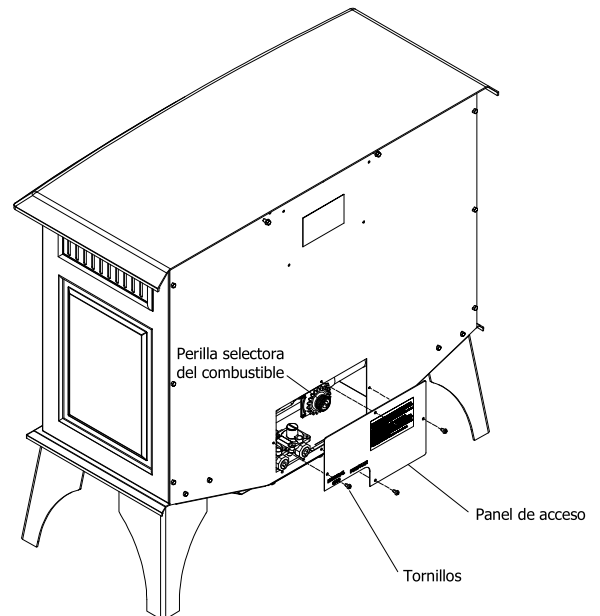
- ⚠ ADVERTENCIA:** Este aparato puede ser usado con propano o gas natural. Es enviado de la fábrica ajustado para ser usado con propano.
- ⚠ PRECAUCIÓN:** No se debe acceder a ni ajustar la perilla para los medios de selección del gas mientras el aparato esté en operación.
- ⚠ PRECAUCIÓN:** Están prohibidas dos instalaciones de la línea de gas al mismo tiempo. No debe abrirse la placa de acceso a los medios de conmutación simple mientras el calefactor está en operación.

La instalación y ajustes serán hechos solamente por un técnico calificado.

NOTA: Si está conectando este aparato a propano no haga ningún ajuste. Proceda a la instalación de la línea de gas como se indica en el Manual del propietario.

### Conversión a gas natural:

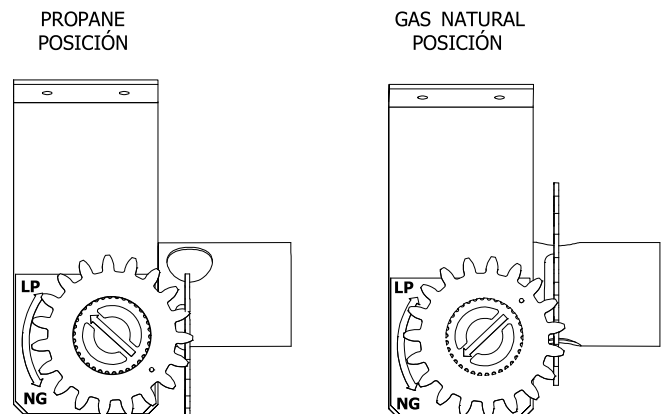
Paso 1 - Retire el panel de acceso



Paso 2 - Ajuste de la válvula selectora del gas  
Presione la perilla de la válvula selectora y gire la perilla hacia la izquierda hasta que se detenga. Suelte la perilla (Ver Fig. 8)

**No opere el aparato entre posiciones bloqueadas.**

Paso 3 - Reemplace el panel de acceso  
Invierta los paso 2 para convertir de nuevo a gas propano.



## INSTALACIÓN

### CONEXIÓN AL SUMINISTRO DE GAS

**⚠️ ADVERTENCIA:** Un técnico de servicio calificado debe conectar el calefactor al suministro de gas. Siga todos los códigos locales.

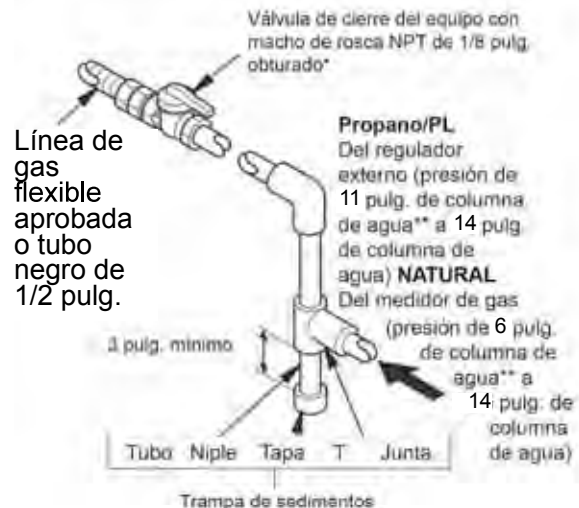
**⚠️ PRECAUCIÓN:** Nunca conecte el calefactor directamente al suministro de gas. Este calefactor requiere un regulador externo (no suministrado). El regulador externo entre el suministro de gas y el calefactor debe ser instalado. El proveedor de gas proporciona regulador externo para gas natural.

**⚠️ ADVERTENCIA:** Nunca conecte el calefactor a pozos de gas privados (no del servicio público). Este gas se conoce comúnmente como gas de boca de pozo.

El instalador debe proveer un regulador externo para propano líquido. El regulador externo es proporcionado por el proveedor de gas para gas natural. El regulador externo reducirá la presión entrante del gas. Usted debe reducir la presión entrante del gas hasta entre 11 y 14 pulg. de columna de agua y entre 6 y 14 pulg. de columna de agua para gas natural. Si no reduce la presión entrante del gas, podrían ocurrir daños al regulador del calefactor. Instale el regulador externo con el respiradero apuntando hacia abajo como se muestra en la Fig. 9. Al instalar el regulador apuntando hacia abajo lo protege de la lluvia y aguanieve.



**Fig. 9 - Conversión del regulador**



**Fig. 10 - Conexión del gas**

\* Compre la válvula de cierre de equipo opcional a su tienda local de Home Center.

**⚠️ PRECAUCIÓN:** Use solamente tubo nuevo de hierro negro o acero. Tubería de cobre internamente estañado puede ser usada en varias áreas. Revise sus códigos locales. Use tubo de 1/2 pulg. de diámetro o mayor para permitir que entre el volumen apropiado de gas al calefactor. Si el tubo es demasiado pequeño, ocurrirá pérdida de presión. La instalación debe incluir una válvula de cierre del equipo, conector de empalme y macho de rosca NPT de 1/8 pulg. obturado. Ubique el macho de rosca NPT de modo que sea de fácil acceso para conectar el calibrador de prueba. El macho de rosca NPT debe estar corriente arriba del calefactor (Ver Fig. 10).

**IMPORTANTE:** Instale la válvula de cierre del equipo en un lugar accesible. La válvula de cierre del equipo es usada para abrir y cerrar el gas al aparato. Aplique sellador de juntas de tubo en las roscas macho. Esto evitará que el exceso de sellador se vaya al tubo. El exceso de sellador en el tubo podría resultar en que las válvulas del calefactor se obstruyan.

## INSTALACIÓN

**⚠ PRECAUCIÓN:** Use sellador de juntas de tubo que sea resistente al gas (PROPANO O GN). Recomendamos una trampa de sedimentos en una línea de suministro como se muestra en la Fig. 10. Ubique la trampa de sedimentos donde esté al alcance para limpieza y que no existan probabilidades de que se congele. Instálela en el sistema de tuberías entre el suministro de combustible y el calefactor. Una trampa de sedimentos atrapa humedad y contaminantes. Esto evita que se vayan a los controles del calefactor. Si la trampa de sedimentos no está instalada o está instalada incorrectamente, el calefactor puede no funcionar apropiadamente.

**⚠ PRECAUCIÓN:** Evite dañar el regulador. Sostenga el regulador de gas con una llave cuando conecte a la tubería de gas y/o accesorios. Modelos de GN: 6 pulg. a 14 pulg. de columna de agua. El proveedor de gas proporciona regulador externo para gas natural.

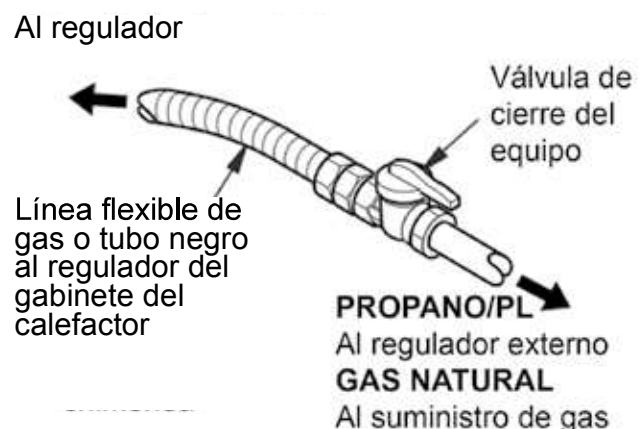
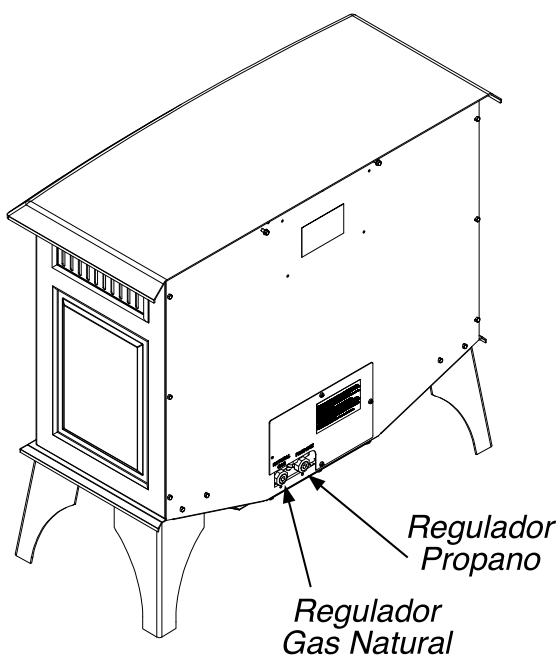
### Artículos de instalación requeridos (no suministrados)

- Llave ajustable de 8 pulg.
- Llave de tubería de 8 pulg.
- Línea flexible de gas (24 pulg. Mín.) o tubo negro de 1/2 pulg.
- 90 Grados Adaptador abocinado 3/8 NPT x 3/8 pulg. o codo macho hembra de 3/8 pulg.
- Sellador (Resistente a gas propano (PL))
- Válvula de cierre

- 1) Es posible una variedad de opciones para enrutar las líneas de conexión del gas dependiendo de dónde está localizada su línea de suministro de gas. Instale el accesorio de 3/8 pulg. en el regulador del gabinete del calefactor usando sellador y dirija la instalación a la izquierda o derecha hacia la línea de suministro del gas.

**AVISO:** La mayoría de códigos de construcción no permiten conexiones de gas ocultas. Revise su código de construcción local antes de usar línea flexible de gas para esta instalación.

- 2) Instale la línea de gas en el accesorio de 90 grados e instale en la válvula de cierre.
- 3) Revise todas las conexiones en busca de fugas de gas.



**Fig. 11 - Instalación de la línea flexible de gas a la válvula de cierre del equipo**

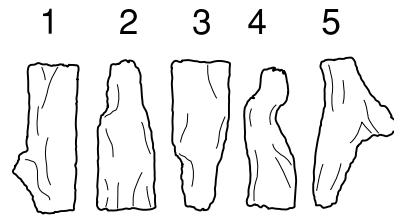
## ENSAMBLAJE DE LOS LEÑOS

**⚠ ADVERTENCIA:** No colocar las piezas de acuerdo con estos diagramas o no usar solamente piezas específicamente aprobadas con este calefactor puede resultar en daños a la propiedad o lesiones personales.

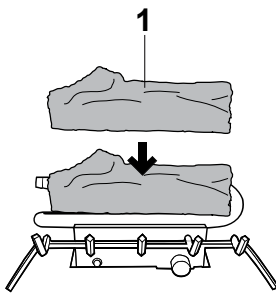
**⚠ PRECAUCIÓN:** Después de la instalación y a partir de allí periódicamente, revise para asegurarse de que ninguna llama amarilla entre en contacto con los leños. Cuando el calefactor se ajusta a Alto, revise para ver si las llamas amarillas entran en contacto con los leños. Si es así, reubique los leños de acuerdo a las instrucciones de instalación de los leños en este manual. Las llamas amarillas en contacto con los leños crearán hollín.

Es muy importante instalar los leños exactamente como se indica. No modifique los leños. Use solamente leños suministrados con el calefactor. Cada leño está marcado con un número. Este número le ayudará a identificar los leños durante la instalación.

Leños proporcionados: 5

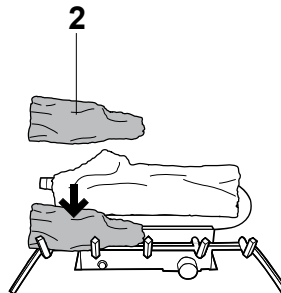


Instalación de leño #1



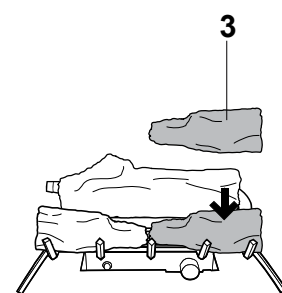
1. Inserte el leño #1 sobre la fila trasera de pasadores de la bandeja base.

Instalación de leño #2



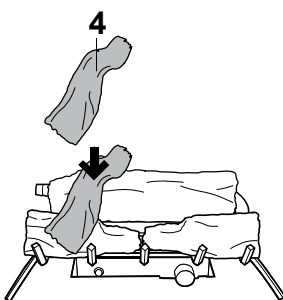
2. Inserte el leño #2 sobre el pasador izquierdo frontal de la bandeja base.

Instalación de leño #3



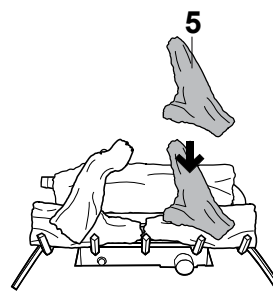
3. Inserte el leño #3 sobre el pasador derecho frontal de la bandeja base.

Instalación de leño #4



4. Inserte el leño #4 sobre el pasador izquierdo del leño #1 y el pasador del leño #2.

Instalación de leño #5



5. Inserte el leño #5 sobre el pasador derecho del leño #1 y el pasador del leño #3.

# INSTALACIÓN

## REVISIÓN DE LAS CONEXIONES DE GAS

**⚠ ADVERTENCIA:** Pruebe toda la tubería y conexiones de gas en contra de fugas después de la instalación y el servicio. Corrija todas las fugas de inmediato.

**⚠ ADVERTENCIA:** Nunca use una llama abierta para revisar en busca de fugas. Aplique una mezcla de jabón líquido y agua en todas las juntas. Si se forman burbujas, puede haber una fuga. Corrija todas las fugas de inmediato.

### Prueba de presión del sistema de tuberías del suministro de gas Presiones de prueba mayores de 1/2 PSIG ( 3.5kPa )

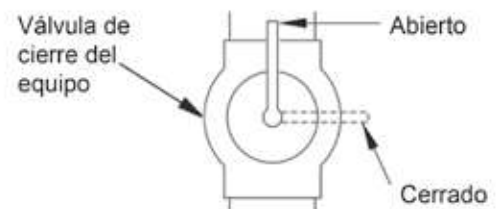
1. Desconecte el calefactor con su válvula de gas principal del aparato (válvula de control) y la válvula de cierre del equipo del sistema de tuberías del suministro de gas. Las presiones mayores de 1/2 PSIG dañarán el regulador del calefactor.
2. Quite la tapa del extremo abierto del tubo de gas donde se conectó la válvula de cierre del equipo.
3. Presurice el sistema de tubería de suministro usando aire comprimido o abriendo la válvula del tanque de suministro de gas.
4. Revise todas las juntas del sistema de tuberías del suministro de gas. Aplique una mezcla de jabón líquido y agua en las juntas de gas. Si se forman burbujas, puede haber una fuga.
5. Corrija todas las fugas de inmediato.
6. Conecte de nuevo el calefactor y la válvula de cierre del equipo al suministro de gas. Revise los accesorios reconectados en busca de fugas.

### Presiones de prueba iguales o menores de 1/2 PSIG (3.5 kPa)

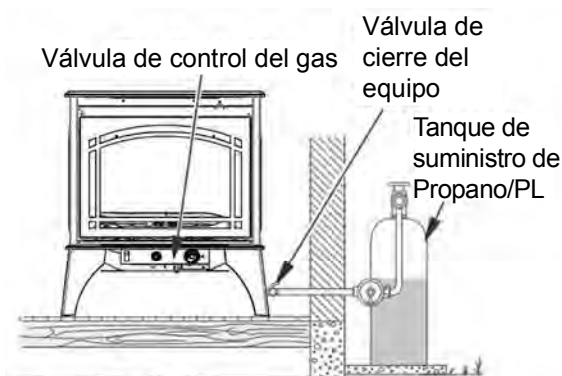
1. Cierre la válvula de cierre del equipo (Ver Fig. 12).
2. Presurice el sistema de tubería de suministro usando aire comprimido o abriendo la válvula del tanque de suministro de gas.
3. Revise todas las juntas del medidor de gas a la válvula de cierre del equipo (Ver Fig.13). Aplique una mezcla de jabón líquido y agua en las juntas de gas. Si se forman burbujas, puede haber una fuga.
4. Corrija todas las fugas de inmediato.

### Prueba de presión de las conexiones de gas del calefactor

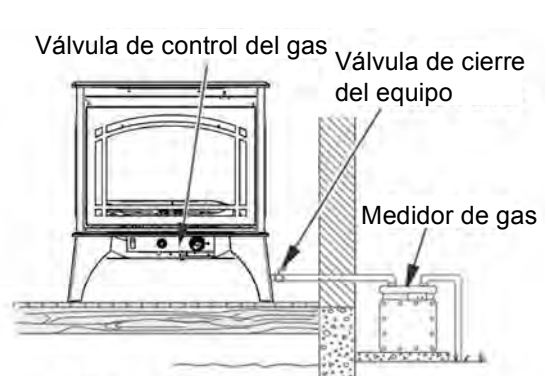
1. Abra la válvula de cierre del equipo (Ver Fig. 12).
2. Abra la válvula del tanque de suministro de gas.
3. Asegúrese de que la perilla de control del calefactor esté en la posición OFF.
4. Revise todas las juntas de la válvula de cierre del equipo a la válvula de control. (Ver Fig. 13). Aplique una mezcla de jabón líquido y agua en las juntas de gas. Si se forman burbujas, puede haber una fuga.
5. Encienda el calefactor (ver Operación, páginas 19 y 20). Revise todas las otras juntas internas en busca de fugas.
6. Apague el calefactor (ver "Apagar el gas al aparato," página 20).



**Fig. 12 - Válvula de cierre del equipo**



**Fig. 13 - Revisión de las juntas de gas (Propano/PL solamente)**



**Fig. 14 - Revisión de las juntas de gas (Gas natural solamente)**

## OPERACIÓN

### PARA SU SEGURIDAD LEA ANTES DEL ENCENDIDO



**ADVERTENCIA:** Si no sigue estas instrucciones exactamente, puede resultar un incendio o explosión ocasionando daños a la propiedad, lesiones personales o la muerte.

A. Este aparato tiene una piloto que debe ser encendido por el encendedor electrónico. Cuando encienda el piloto, siga estas instrucciones exactamente.

B. **ANTES DE ENCENDER** huela todo alrededor del área del aparato en busca de gas. Asegúrese de oler cerca del piso ya que algo de gas es más pesado que el aire y se asentará en el piso.

#### QUÉ HACER SI HUELE GAS



- No trate de encender ningún aparato.
- No toque ningún interruptor eléctrico; no use ningún teléfono en su edificio.
- Llame de inmediato a su proveedor de gas del teléfono de un vecino. Siga las instrucciones del proveedor de gas.
- Si no puede contactar a su proveedor de gas, llame al Cuerpo de Bomberos.


C. Use solamente su mano para presionar o girar la perilla de control del gas. Nunca use herramientas. Si la perilla no se puede presionar o girar a mano, no trate de repararla, llame a un técnico de servicio calificado. Una reparación forzada puede resultar en incendio o explosión.


D. No use este aparato si alguna pieza ha estado bajo el agua. Llame de inmediato a un técnico de servicio calificado para inspeccionar el aparato y reemplazar cualquier pieza del sistema de control y cualquier control del gas que haya estado bajo el agua.

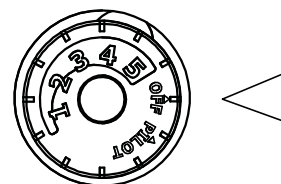
E. Cualquier pantalla o protección de seguridad retirada para dar servicio a un aparato debe volverse a colocar antes de la operación del calefactor.

### INSTRUCCIONES DE ENCENDIDO

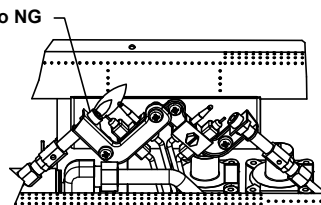
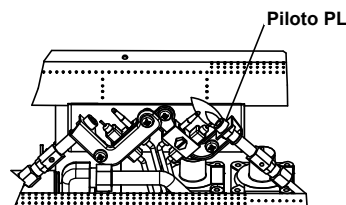
1. ¡ALTO! Lea la información de seguridad que se indicó anteriormente.
2. (Modelos seleccionados) Abra el panel de acceso inferior ubicado debajo de la pantalla del calefactor.
3. Gire la perilla de control hacia la derecha  a la posición "OFF" (Ver Fig. 15).
4. Espere cinco (5) minutos para que se vacíe todo el gas. Luego huela en busca de gas, incluyendo cerca del piso. Si huele gas, ¡ALTO! Siga "B" en la información de seguridad a la izquierda de esta etiqueta. Si no huele a gas, vaya al siguiente paso.
5. Gire la perilla de control hacia la izquierda  a la posición "PILOT" (Ver Fig. 16). Oprima la perilla de control.
6. Con la perilla de control oprimida, presione el botón del encendedor hasta que el piloto se encienda. El piloto está ubicado atrás de la pantalla del calefactor, centrado cerca de la parte trasera del quemador.
7. Mantenga oprimida la perilla de control durante (30) segundos después de que el piloto encienda. Suelte la perilla de control.

- Si la perilla de control no salta cuando se suelte, pare y llame de inmediato a un técnico de servicio calificado o al proveedor de gas.
- Si el piloto se apaga repita los pasos 3 al 7. Espere (1) minuto antes de intentar encender el piloto de nuevo. Si después de varios intentos el piloto todavía se apaga, gire la perilla de control hacia la derecha  a la posición "OFF" y llame a un técnico de servicio calificado.

8. Gire la perilla de control hacia la izquierda  a al ajuste deseado.
9. (Modelos seleccionados) Cierre el panel de acceso inferior.




**Fig. 15 - Perilla de control**



**Fig. 16 - Piloto**

## PARA APAGAR EL GAS AL APARATO

1. (Modelos seleccionados) Abra el panel de acceso inferior ubicado debajo de la pantalla del calefactor.
2. Gire la perilla de control hacia la derecha  a la posición "OFF".
3. (Modelos seleccionados) Cierre el panel de acceso inferior.

### INSPECCIÓN DE LOS QUEMADORES

Revise con frecuencia el patrón de la llama del piloto y los patrones de la llama del quemador.

#### PATRÓN DE LA LLAMA DEL PILOTO

La Figura 20 muestra un patrón correcto de la llama del piloto. La Figura 21 muestra un patrón incorrecto de la llama del piloto. La llama incorrecta del piloto no está tocando el termopar. Esto hará que el termopar se enfríe. Cuando el termopar se enfríe, el calefactor se apagará.

Si el patrón de la llama del piloto es incorrecto, como se muestra en la Figura 21.

- apague el calefactor (ver "Apagar el gas al aparato," página 20).
- consulte Resolución de fallas, páginas 23 a 25.

Nota: La llama piloto en unidades de gas natural tendrá una ligera curva, pero la llama debe ser azul y no tener collar amarillo o anaranjado.

Fig. 20 - Patrón correcto de llama piloto

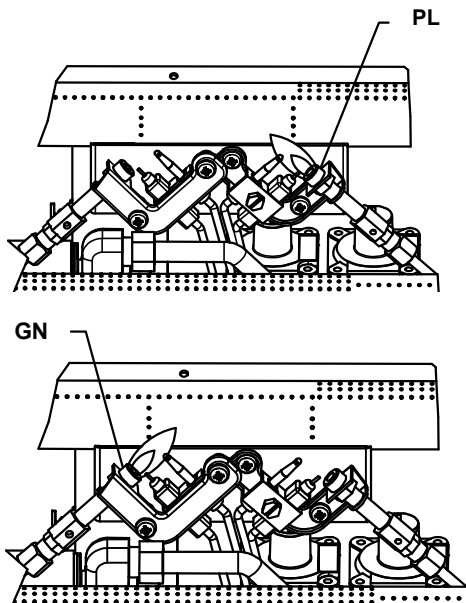
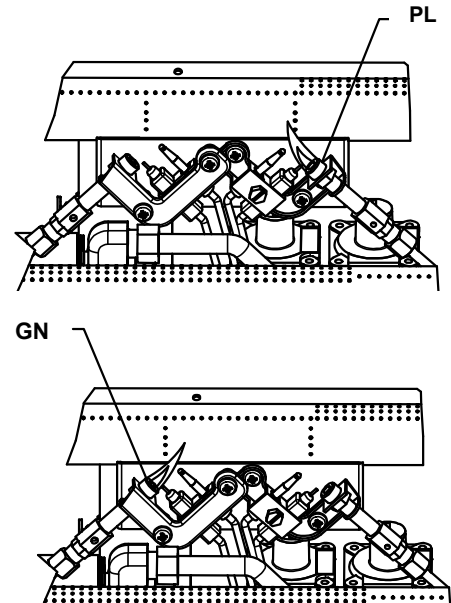


Fig. 21 - Patrón incorrecto de llama piloto



**⚠ ADVERTENCIA:** Si se da coloración amarilla, su calefactor podría producir niveles en aumento de monóxido de carbono. Si el patrón de la llama del quemador muestra coloración amarilla, siga las instrucciones al final de esta página.

**⚠ ADVERTENCIA:** No permita que los ventiladores soplen directamente al calefactor. Evite corrientes que alteren los patrones de la llama del quemador.

**⚠ ADVERTENCIA:** No use un inserto de soplador, inserto de intercambiador de calor ni otro accesorio no aprobado para uso con este calefactor.

**Aviso:** No confunda las llamas anaranjadas con la coloración amarilla. El polvo u otras partículas finas que entran al calefactor y quemador ocasionan parches breves de llama anaranjada.

## CUIDADO Y MANTENIMIENTO

### PATRÓN DE LA LLAMA DEL QUEMADOR

La Figura 22 muestra un patrón correcto de la llama del quemador. La Figura 23 muestra un patrón incorrecto de la llama del quemador. El patrón incorrecto de la llama del quemador muestra puntas de llama esporádicas e irregulares. La llama no debe ser oscura ni tener un matiz anaranjado/rojizo.

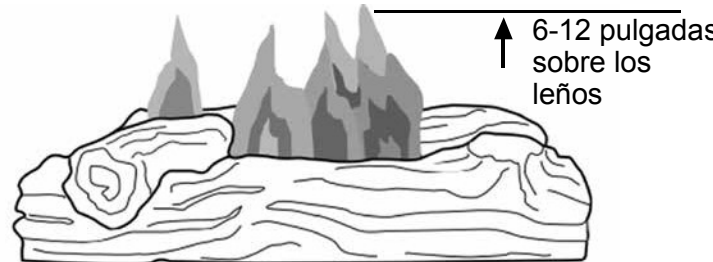
Nota: Cuando use por primera vez su calefactor, la llama será anaranjada durante aproximadamente una hora hasta que los leños curen.

Si el patrón de la llama del quemador es incorrecta, como se muestra en la Figura 23.

- apague el calefactor (ver "Apagar el gas al aparato," página 20).
- consulte Resolución de fallas, páginas 23 a 25.



**Fig. 22 - Patrón correcto de la llama del quemador**



**Fig. 23 - Patrón incorrecto de la llama del quemador**

**⚠ ADVERTENCIA:** Apague el calefactor y deje que se enfríe antes de darle servicio.

**⚠ PRECAUCIÓN:** Debe mantener limpias las áreas de control, el quemador y los pasillos de aire circulante del calefactor. Inspeccione estas áreas del calefactor antes de cada uso. Haga que una persona de servicio calificada inspeccione el calefactor anualmente. El calefactor puede necesitar limpieza frecuente debido a pelusa en exceso proveniente de alfombras, ropa de cama, pelo de mascotas, etc.

**⚠ ADVERTENCIA:** No mantener limpias las aberturas de aire primario del quemador puede resultar en generación de hollín y daños a la propiedad.

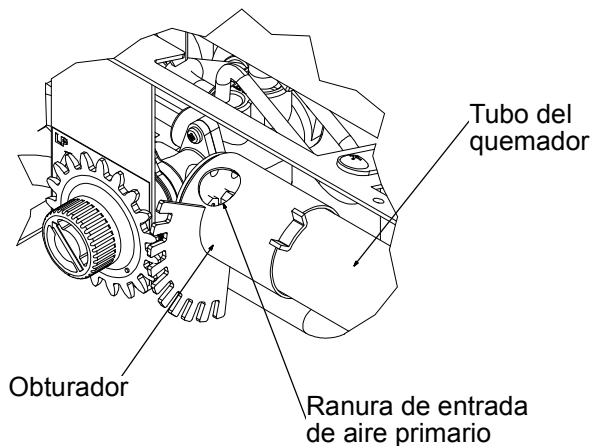
### PORTA ORIFICIO DEL QUEMADOR Y AGUJERO DE ENTRADA DE AIRE DEL PILOTO

Los agujeros de entrada de aire primario permiten que entre la cantidad apropiada de aire para que se mezcle con el gas. Esto produce una llama limpia. Mantenga estos agujeros libres de polvo, suciedad, pelusa y pelo de mascotas. Limpie estos agujeros de entrada de aire antes de cada estación de calefacción. Los agujeros de aire bloqueados crearán hollín. Recomendamos que limpie la unidad cada tres meses durante la operación y que haga que una persona de servicio calificada inspeccione el calefactor anualmente.

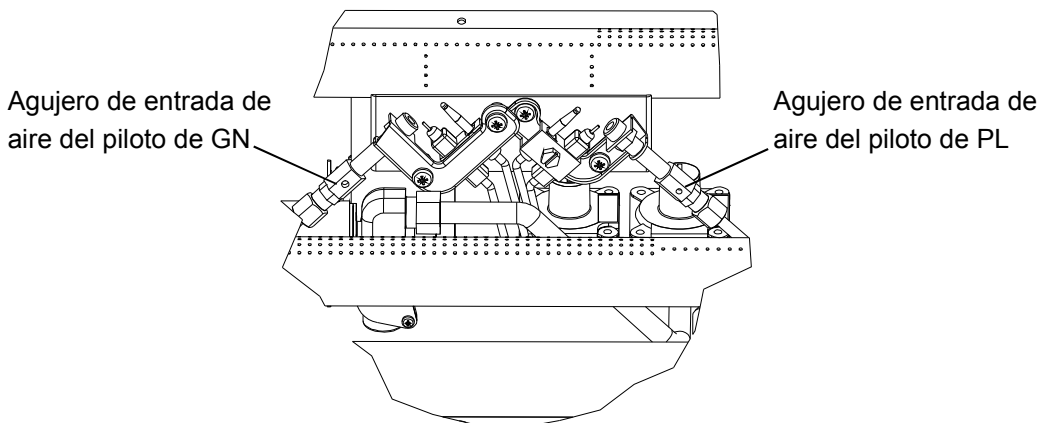
También recomendamos que mantenga el tubo del quemador y el ensamblaje del piloto limpios y libres de polvo y suciedad. Para limpiar estas piezas, recomendamos usar aire comprimido a no más de 30 PSI. Su tienda de computadoras local, tienda de herrajes o centro del hogar pueden tener aire comprimido en una lata. Si usa aire comprimido en una lata, siga las instrucciones en la lata. Si no sigue las instrucciones en la lata, podría dañar el ensamblaje del piloto.

## CUIDADO Y MANTENIMIENTO

1. Apague la unidad incluyendo el piloto. Deje que la unidad se enfríe durante 30 minutos.
2. Inspeccione el quemador, el piloto y los agujeros de entrada de aire primario en el porta orificio en busca de polvo y suciedad (Ver Fig. 24).
3. Sople aire a través de los puertos/ranuras y agujeros en el quemador.
4. Revise otra vez el porta orificio localizado en el extremo del tubo del quemador. Retire las partículas grandes de polvo, suciedad, pelusa o pelo de mascotas con un paño suave o con una aspiradora.
5. Sople aire en los agujeros de aire primario en el porta orificio.
6. En caso de que masas grandes de polvo hayan sido ahora empujadas dentro del quemador, repita los pasos 3 y 4. Limpie también el ensamblaje del piloto. Una punta amarilla en la llama del piloto indica polvo y suciedad en el ensamblaje del piloto. Hay un pequeño agujero de entrada de aire del piloto de cerca de 2 pulg. desde donde la llama del piloto sale del ensamblaje del piloto (ver Figura 25). Con la unidad apagada, sople aire ligeramente a través del agujero de entrada de aire. Puede soplar con una pajilla si no se encuentra disponible aire comprimido.



**Fig. 24 - Ranura de entrada de aire primario en el tubo del quemador**



**Fig. 25 - Agujero de entrada de aire del piloto**

### CONJUNTO DE LEÑOS

- Si retira el conjunto de leños para limpieza, consulte la página 17 para instrucciones de colocación.
- Reemplace el conjunto de leños si están rotos o astillados (del tamaño de una moneda de 10 centavos o más grandes).

### GABINETE

#### Pasillos de aire

Use una aspiradora o aire presurizado para limpieza.

#### Exterior

Use un paño suave humedecido con una mezcla de jabón suave y agua. Limpie el gabinete para eliminar el polvo.

## RESOLUCIÓN DE FALLAS

- ⚠️ ADVERTENCIA:** Si huele gas:
- Apague el suministro de gas
  - No trate de encender ningún aparato.
  - No toque ningún interruptor eléctrico; no use ningún teléfono en su edificio.
  - Llame de inmediato a su proveedor de gas del teléfono de un vecino. Siga las instrucciones del proveedor de gas.
  - Si no puede contactar a su proveedor de gas, llame al Cuerpo de Bomberos

**IMPORTANTE:** La operación del calentador donde existan impurezas en el aire puede crear malos olores. Los suministros de limpieza, pintura, removedor de pintura, humo de cigarrillo, cementos y pegamentos, alfombra nueva o textiles, etc. crean humos. Estos humos pueden mezclarse con el aire de la combustión y crear malos olores.

- ⚠️ ADVERTENCIA:** Asegúrese de que la energía esté apagada antes de proceder.

- ⚠️ ADVERTENCIA:** Apague el calefactor y deje que se enfríe antes de darle servicio. Solo una persona de servicio calificada debe dar servicio y reparar el calefactor.

- ⚠️ PRECAUCIÓN:** Nunca use un alambre, aguja u objeto similar para limpiar el ODS/piloto. Esto puede dañar la unidad del ODS/ piloto.

### CONSEJOS DE SERVICIO

#### Cuando la presión del gas es demasiado baja.

- el piloto no se mantiene encendido
- los quemadores tienen ignición retrasada
- el calefactor no producirá el calor especificado
- para unidades de propano/PL, el suministro de gas propano/PL puede estar bajo

Usted puede sentir que la presión del gas está demasiado baja. Si es así, póngase en contacto con su proveedor local de gas natural o propano/PL.

PROBLEMA	CAUSA POSIBLE	ACCIÓN CORRECTIVA
Cuando se oprime el encendedor, no hay chispa en el ODS/piloto.	<ol style="list-style-type: none"> <li>1. El electrodo del encendedor está colocado de forma incorrecta.</li> <li>2. El electrodo del encendedor está roto.</li> <li>3. El electrodo del encendedor no está conectado al cable del encendedor.</li> <li>4. El cable del encendedor está aplastado o húmedo.</li> <li>5. Cable del encendedor dañado.</li> <li>6. Encendedor electrónica de botón de presión malo.</li> <li>7. Batería mala.</li> </ol>	<ol style="list-style-type: none"> <li>1. Reemplace el electrodo.</li> <li>2. Reemplace el electrodo.</li> <li>3. Reemplace el cable del encendedor.</li> <li>4. Libere el cable del encendedor si está aplastado por algún metal o tubería. Mantenga seco el cable del encendedor.</li> <li>5. Reemplace el cable del encendedor.</li> <li>6. Reemplace el encendedor electrónica de botón de presión.</li> <li>7. Revise y reemplace las baterías si es necesario.</li> </ol>
Cuando el botón del encendedor se oprime, hay una chispa en el ODS/ piloto pero no ignición.	<ol style="list-style-type: none"> <li>1. El suministro de gas está apagado o la válvula de cierre del equipo está cerrada.</li> <li>2. La perilla de control no está completamente oprimida mientras se presiona el botón del encendedor.</li> <li>3. Aire en las líneas de gas cuando se instalaron.</li> <li>4. El ODS / piloto está obstruido.</li> <li>5. El ajuste del regulador de gas no es el correcto.</li> <li>6. La perilla de control no está en la posición PILOT.</li> <li>7. Suministro de gas agotado (propano).</li> </ol>	<ol style="list-style-type: none"> <li>1. Encienda el suministro de gas o abra la válvula de cierre del equipo.</li> <li>2. Oprima por completo la perilla de control mientras presiona el botón del encendedor.</li> <li>3. Continúe oprimiendo la perilla de control. Repita la operación de ignición hasta que el aire sea removido.</li> <li>4. Limpie el ODS/piloto (ver Cuidado y Mantenimiento, páginas 21 y 22 o reemplace el ensamblaje del ODS/ piloto).</li> <li>5. Reemplace el regulador de gas.</li> <li>6. Gire la perilla de control a la posición "PILOT" .</li> <li>7. Póngase en contacto con la compañía local de propano/Gas PL.</li> </ol>

## RESOLUCIÓN DE FALLAS

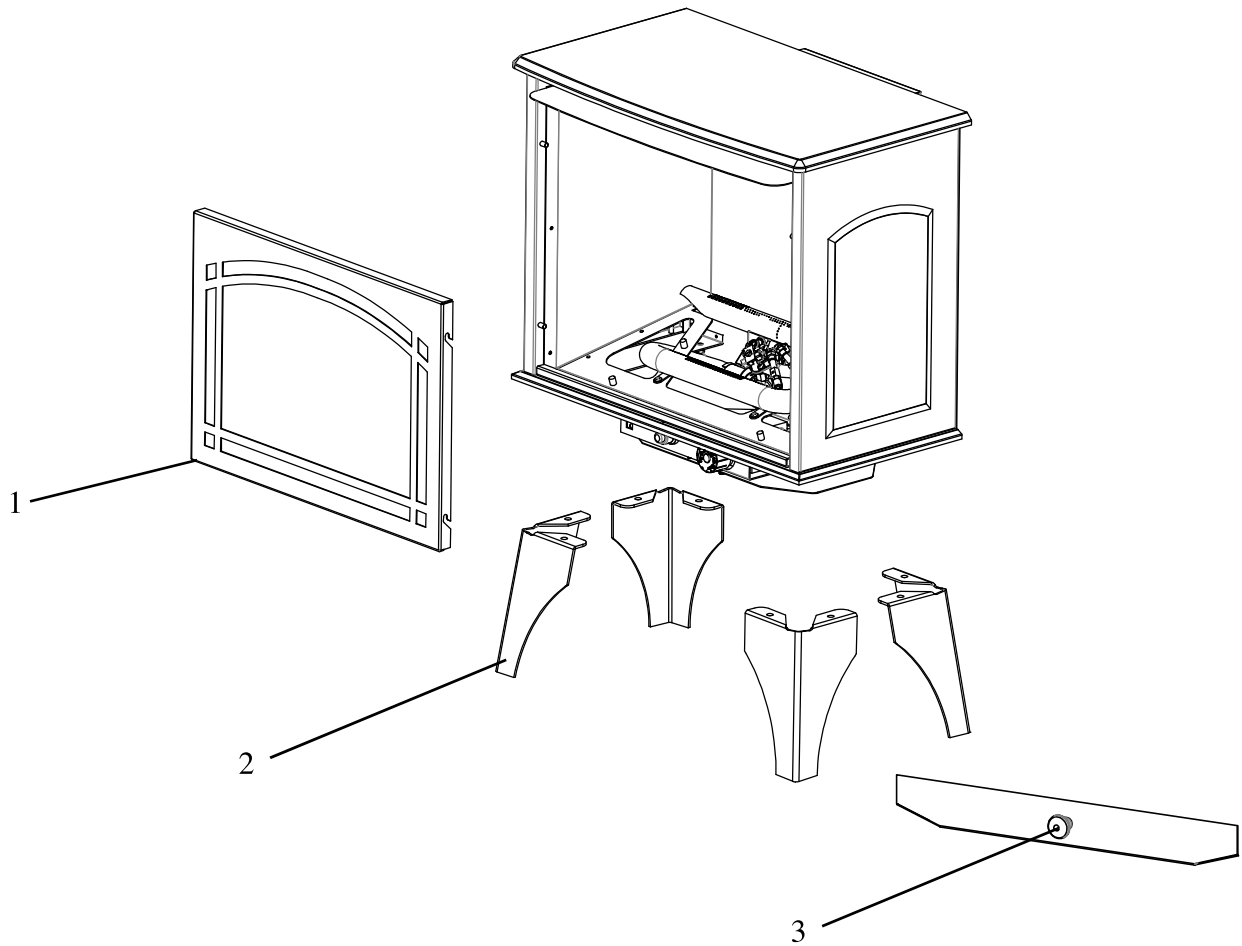
PROBLEMA	CAUSA POSIBLE	ACCIÓN CORRECTIVA
El ODS/piloto enciende pero la llama se apaga cuando la perilla de control se suelta.	<ol style="list-style-type: none"> <li>1. La perilla de control no está completamente presionada.</li> <li>2. La perilla de control no está presionada suficiente tiempo.</li> <li>3. La válvula de cierre del equipo no está completamente abierta.</li> <li>4. La conexión del termopar está floja.</li> <li>5. Termopar dañado.</li> <li>6. Válvula de control dañada.</li> </ol>	<ol style="list-style-type: none"> <li>1. Oprima por completo la perilla de control</li> <li>2. Después que enciendan el ODS/piloto, mantenga la perilla de oprimida durante 30 segundos.</li> <li>3. Abra por completo la válvula de cierre del equipo.</li> <li>4. Apriete a mano hasta que se ajuste y luego apriete <math>\frac{1}{4}</math> de vuelta más.</li> <li>5. Reemplace el termopar.</li> <li>6. Llame a Servicio al Cliente.</li> </ol>
El(los) quemador(es) no enciende(n) después de que el ODS/piloto enciende.	<ol style="list-style-type: none"> <li>1. El orificio del quemador está obstruido.</li> <li>2. El diámetro del orificio del quemador es demasiado pequeño.</li> <li>3. La presión del gas de entrada es demasiado baja.</li> </ol>	<ol style="list-style-type: none"> <li>1. Limpie el ofiricio del quemador (ver Cuidado y Mantenimiento, páginas 21 y 22) o póngase en contacto con Servicio al Cliente.</li> <li>2. Llame a Servicio al Cliente.</li> <li>3. Llame a su proveedor de gas.</li> </ol>
Ignición retrasada del(los) quemador(es).	<ol style="list-style-type: none"> <li>1. La presión del distribuidor es demasiado baja.</li> <li>2. El orificio del quemador está obstruido.</li> </ol>	<ol style="list-style-type: none"> <li>1. Llame a su proveedor de gas.</li> <li>2. Limpie el quemador (ver Cuidado y Mantenimiento, páginas 21 y 22) o llame a servicio al cliente.</li> </ol>
Retorno de llama del quemador durante la combustión.	<ol style="list-style-type: none"> <li>1. El orificio del quemador está obstruido o dañado.</li> <li>2. El quemador está dañado.</li> <li>3. El regulador de gas está dañado.</li> </ol>	<ol style="list-style-type: none"> <li>1. Limpie el ofiricio del quemador (ver Cuidado y Mantenimiento, páginas 21 y 22 o póngase en contacto con Servicio al Cliente.</li> <li>2. Llame al concesionario o servicio al cliente.</li> <li>3. Reemplace el regulador de gas.</li> </ol>
Llama amarilla alta durante la combustión del quemador.	<ol style="list-style-type: none"> <li>1. Aire insuficiente.</li> <li>2. El regulador de gas está defectuoso.</li> <li>3. La presión del gas de entrada es demasiado baja.</li> </ol>	<ol style="list-style-type: none"> <li>1. Revise el quemador en busca de suciedad y desechos. Si se encuentran, limpie el quemador (ver Cuidado y Mantenimiento, páginas 21 y 22).</li> <li>2. Reemplace el regulador de gas.</li> <li>3. Llame a su proveedor de gas.</li> </ol>
Olor a gas durante la combustión.	<ol style="list-style-type: none"> <li>1. Material extraño entre la válvula de control y el quemador.</li> <li>2. Fuga de gas. (Ver Declaración de advertencia en la parte superior de la página 23).</li> </ol>	<ol style="list-style-type: none"> <li>1. Desarme la tubería de gas y retire el material extraño.</li> <li>2. Localice y corrija todas las fugas (ver "Revisión de las conexiones de gas", página 18).</li> </ol>
El calefactor produce un chasquido/tictac justo después de que el quemador se enciende o apaga.	<ol style="list-style-type: none"> <li>1. El metal se expande mientras se calienta o se contrae mientras se enfría.</li> </ol>	<ol style="list-style-type: none"> <li>1. Esto es común en la mayoría de calentadores. Si el ruido es excesivo, póngase en contacto con un técnico de servicio calificado.</li> </ol>

## RESOLUCIÓN DE FALLAS

PROBLEMA	CAUSA POSIBLE	ACCIÓN CORRECTIVA
Residuo de polvo blanco que se forma dentro de la caja del quemador o en paredes adyacentes o muebles.	1. Cuando se calientan, los vapores del pulidor de muebles, cera, limpiadores de alfombra, ect. se convierten en residuo de polvo blanco.	1. Apague el calefactor cuando use pulidor de mueble, cera, limpiador de alfombra o productos similares.
El calefactor produce olores indeseados.	1. El calefactor está quemando vapores de pintura, spray para el cabello, pegamentos, etc. Ver declaración IMPORTANTE, página 23. 2. Fuga de gas. Ver Declaración de advertencia, página 23. 3. Bajo suministro de combustible.	1. Ventile la habitación. Deje de usar productos que producen olor mientras el calefactor está funcionando. 2. Localice y corrija todas las fugas (ver "Revisión de las conexiones de gas", página 18). 3. Llene el tanque de suministro (Modelos de Propano /PL).
El calefactor se apaga en uso (opera el ODS).	1. No está disponible suficiente aire fresco. 2. Presión de línea baja. 3. El ODS / piloto está parcialmente obstruido.	1. Abra la ventana y/o puerta para ventilación. 2. Llame a su proveedor local de gas. 3. Limpie el ODS/piloto (ver Cuidado y Mantenimiento, páginas 21 y 22).
Hay olor a gas incluso cuando la perilla de control está en la posición OFF.	1. Fuga de gas. Ver Declaración de advertencia en la parte superior de la página 23. 2. La válvula de control está defectuosa.	1. Localice y corrija todas las fugas (ver "Revisión de las conexiones de gas", página 18). 2. Llame a Servicio al Cliente.
Se advierte humedad/ condensación en las ventanas.	1. El aire de combustión/ventilación es insuficiente.	1. Consulte requisitos de "Aire para combustión y ventilación", páginas 8 a10.
Humo u olor escasos durante la operación inicial	1. Residuos del proceso de fabricación.	1. El problema terminará después de unas pocas horas de operación.
El calefactor produce un silbido cuando el calefactor está encendido.	1. Girar la perilla de control a la posición (5) alta cuando el quemador está frío. 2. Aire en la línea de gas.  3. Los pasillos de aire en el calefactor están obstruidos. 4. Orificio del quemador sucio o parcialmente obstruido.	1. Girar la perilla de control a la posición (1) baja y deje que caliente durante un minuto. 2. Opere el quemador hasta que el aire sea removido de la línea. Haga que la línea de gas la revise la compañía local de propano/gas PL. 3. Respete los espacios libres mínimos de instalación (Fig. 6, página 11) 4. Limpie el quemador (ver Cuidado y mantenimiento, páginas 21 y 22) o llame a servicio al cliente.

## PIEZAS DE REPUESTO

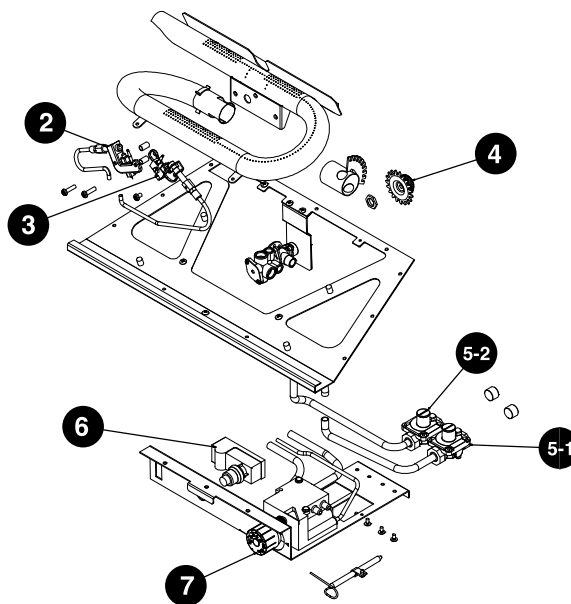
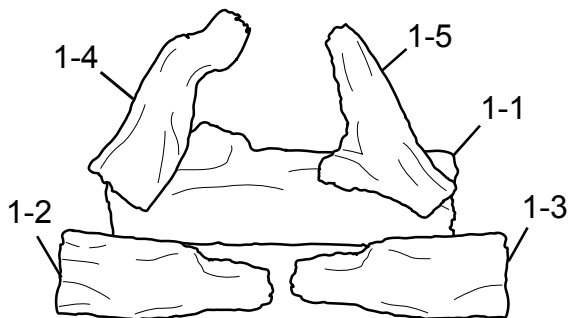
Para piezas de repuesto, llame a nuestro departamento de servicio al cliente al 1-877-447-4768, de lunes a viernes, de 8:30 a.m. a 4:30 p.m., hora estándar del Centro.



No. DE ARTÍCULO	DESCRIPCIÓN	CANT.	NÚMERO DE PIEZA	
			VFS2-L20DT VFS2-PH20DT	VFS2-L30DT VFS2-PH30DT
1	Ensamblaje de pantalla	1	EXP-A3007	EXP-A3005A
2	Patas	4	EXP-3039	EXP-3004ipt
3	Perilla de cubierta del control	1	N/A	EXP-3044

## LISTA DE PIEZAS DE REPUESTO

Para piezas de repuesto, llame a nuestro departamento de servicio al cliente al 1-877-447-4768, de lunes a viernes, de 8:30 a.m. a 4:30 p.m., hora estándar del Centro.

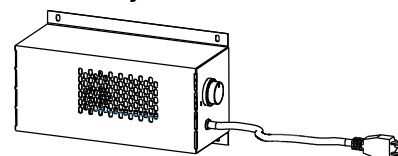


NÚM. DE ARTÍCULO	DESCRIPCIÓN	CANTIDAD	NÚM. DE PIEZA	
			VFS2-L20DT VFS2-PH20DT	VFS2-L30DT VFS2-PH30DT
1	Conjunto de leños (completo)	1	700-S1018	700-M1018
1 - 1	Leño 1	1	700-S1018-01	700-M1018-01
1 - 2	Leño 2	1	700-S1018-02	700-M1018-02
1 - 3	Leño 3	1	700-S1018-03	700-M1018-03
1 - 4	Leño 4	1	700-S1018-04	700-M1018-04
1 - 5	Leño 5	1	700-S1018-05	700-M1018-05
2	Piloto ODS-GN	1	GZ20-30B	GZ20-30B
3	Piloto ODS-PL	1	GZ20-29B	GZ20-29B
4	Perilla del selector	1	GZ20-17	GZ20-17
5-1	Regulador, GN 5 pulg. WC	1	GR-130(20k)	GR-130(30k)
5-2	Regulador, PL 10 pulg. WC	1	GR-130A(20k)	GR-130A(30k)
6	Módulo del encendedor	1	GZ20-32a	GZ20-32a
7	Válvula de control EuroSIT 630	1	0630560	0630560

## ACCESORIOS

**AVISO:** Pueden no estar disponibles todos los accesorios para todos los modelos de calefactor.

**KIT DE SOPLADOR - PBAR-2427** Para todos los modelos. Proporciona mejor distribución del calor. Hace más eficiente al calefactor.





## Garantía

El fabricante garantiza que su nuevo producto está libre de defectos de fabricación y materiales por un periodo de un año a partir de la fecha de compra, sujeto a las siguientes condiciones y limitaciones.

1. Este producto debe ser instalado y operado en todo momento de acuerdo con las instrucciones proporcionadas con el producto. Cualquier alteración, abuso intencionado, accidente o mal uso del producto anulará esta garantía.
2. Esta garantía es intransferible y es hecha al propietario original, siempre que la compra fue hecha mediante un proveedor autorizado del fabricante.
3. Esta garantía está limitada a la reparación o reemplazo de pieza(s) que se encuentren defectuosas en materiales o mano de obra, siempre que tal(es) pieza(s) hayan estado sujetas a condiciones normales de uso y servicio, luego de que dicho defecto sea confirmado por la inspección de fabricante.
4. El fabricante puede, a su discreción, liberar de todas las obligaciones, con respecto a esta garantía mediante el reembolso del precio al por mayor de la(s) pieza(s) defectuosa(s).
5. Cualquier costo/gasto de instalación, trabajo, construcción, transporte u otros costos/gastos relacionados que surjan de pieza(s) defectuosa(s), reparación, reemplazo o de otra manera relativa a los mismos, no serán cubiertos por

esta garantía, y tampoco el fabricante asumirá responsabilidad por lo mismo. Además, el fabricante no será responsable de ningún daño incidental, indirecto o consecuente, excepto como lo establezca la ley.

6. Todas las otras garantías, expresas o implícitas, con respecto al producto, sus componentes y accesorios, o cualquier obligación/responsabilidad civil sobre la pieza del fabricante, por la presente se excluyen expresamente.
7. El fabricante tampoco asume, ni autoriza a ninguna tercera parte a asumir, en su nombre, cualquier otra responsabilidad civil con respecto a la venta de este producto.
8. Las garantías como están descritas dentro de este documento, no aplican a accesorios que no son del fabricante usadas junto con la instalación de este producto.

### Esta garantía no tiene validez si:

- a) El producto ha sido operado en atmósferas contaminadas por cloro, flúor u otros productos químicos perjudiciales.
- a. El producto está sujeto a periodos prolongados de humedad o condensación.
- c) Cualquier alteración no autorizada, abuso intencionado, accidente o mal uso del producto.

### SI SE NECESITA SERVICIO DE GARANTÍA. . .

- 1) Comuníquese con servicio al cliente al 1-877-447-4768, de lunes a viernes, de 8:30 a.m. a 4:30 p.m., hora estándar del Centro. Asegúrese de tener su garantía, su recibo de venta y el número de modelo/serie de su producto.
- 2) NO INTENTE HACER TRABAJO DE SERVICIO USTED MISMO.

PARA REGISTRAR LA GARANTÍA DE SU CALEFACTOR, LLENE COMPLETAMENTE ESTA TARJETA Y ENVÍELA POR CORREO DENTRO DE 14 DÍAS A PARTIR DE LA FECHA DE COMPRA O REGÍSTRESE EN LÍNEA EN [ghpgroupinc.com](http://ghpgroupinc.com)

NOMBRE : \_\_\_\_\_ TELÉFONO: (    ) \_\_\_\_\_ CORREO ELECTRÓNICO: \_\_\_\_\_  
DIRECCIÓN: \_\_\_\_\_ CIUDAD: \_\_\_\_\_ ESTADO: \_\_\_\_\_ CÓDIGO POSTAL: \_\_\_\_\_  
MODELO: \_\_\_\_\_ NÚMERO DE SERIE \_\_\_\_\_ FECHA DE COMPRA: \_\_\_\_\_  
TIENDA MINORISTA DE LA COMPRA: \_\_\_\_\_ TIPO DE TIENDA: \_\_\_\_\_  
CIUDAD Y ESTADO DONDE SE HIZO LA COMPRA: \_\_\_\_\_ PRECIO PAGADO: \_\_\_\_\_

**Por favor, tómese un minuto para darnos sus respuestas a las siguientes preguntas.**

**Todas las respuestas serán usadas únicamente para investigación de mercado y serán mantenidas en estricta confidencialidad.**

¿Quién decidió principalmente esta compra?  Hombre  Mujer  18-24  25-39  40-59  60 y mayor

¿Propósito de la compra? \_\_\_\_\_

¿Posee otro calefactor portátil?  Sí  No Si la respuesta es Sí, tipo \_\_\_\_\_ marca \_\_\_\_\_

¿Cómo pretende usar su nuevo calefactor?  Sitio de construcción  Granja  Bodega/Comercial  Garaje/Construcción anexa  Otro

¿Cómo se dio cuenta de este calefactor?  Exhibidor de la tienda  Anuncio de periódico  Anuncio de revista  Amigo/Pariente

Comercial de TV  Vendedor de la tienda  Otro \_\_\_\_\_

¿Qué lo hizo elegir este calefactor?  Estilo  Tamaño/Portabilidad  Precio  Empaque  Marca  Otro \_\_\_\_\_

Usted:  Posee  Alquila ¿Le recomendaría este calefactor a un amigo?  Sí  No

Por favor, denos sus comentarios: \_\_\_\_\_

¡GRACIAS POR LLENAR ESTE FORMULARIO!

La información se mantendrá confidencial.

## **REGISTRO DE LA GARANTÍA**

**IMPORTANTE:** Le urgimos que llene su tarjeta de registro de la garantía en el plazo de catorce (14) días después de la fecha de compra. También puede registrar su garantía en internet en [www.ghpgroupinc.com](http://www.ghpgroupinc.com). Complete el número de serie. Conserve esta porción de la tarjeta para sus registros.



**GHP Group, Inc.**  
6440 W Howard St  
Niles, IL 60714-3302  
Tel: (877) 447-4768  
[www.ghpgroupinc.com](http://www.ghpgroupinc.com)

**¡GUARDE ESTA TARJETA!**

**GHP Group, Inc.**  
6440 W Howard St  
Niles, IL 60714-3302