

This Owner's Manual is provided and hosted by [Appliance Factory Parts](#).



Pleasant Hearth VL-AA18D-1 Owner's Manual

[Shop genuine replacement parts for Pleasant Hearth
VL-AA18D-1](#)



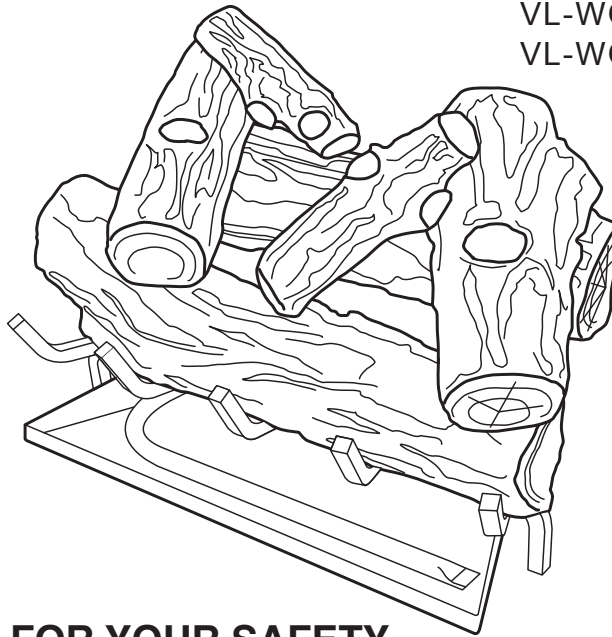
[Find Your Pleasant Hearth Other Parts - Select From 25 Models](#)

----- Manual continues below -----

VENTED NATURAL GAS LOGS

MODELS

VL-WO18D VL-AA18D VL-NO18D
 VL-WO24D VL-AA24D VL-NO24D
 VL-WO30D VL-AA30D VL-NO30D




0418GL012S

Complies with ANSI Z21.84-2012, Standard for Manually lighted, Natural Gas Decorative Gas Appliances for Installation in Solid-Fuel Burning Fireplaces.

Complies with ANSI Z21.60-2012, Standard for Decorative Gas Appliances for Installation in Solid-Fuel Burning Fireplaces when the LP Conversion Kit (SPK100) is installed by a qualified technician.

CAUTION - FOR YOUR SAFETY

 **WARNING: IF THE INFORMATION IN THIS MANUAL IS NOT FOLLOWED EXACTLY, A FIRE OR EXPLOSION MAY RESULT CAUSING PROPERTY DAMAGE, PERSONAL INJURY OR LOSS OF LIFE.**

- Do not store or use gasoline or other flammable vapors and liquids in the vicinity of this or any other appliance.
- WHAT TO DO IF YOU SMELL GAS
 - Do not try to light any appliance.
 - Do not touch any electrical switch; do not use any phone in your building.
 - Immediately call your gas supplier from a neighbor's phone. Follow the gas supplier's instructions.
 - If you cannot reach your gas supplier, call the fire department.
- Installation and service must be performed by a qualified installer, service agency or the gas supplier.

This is a gas-fire appliance. It uses air (oxygen) from the room in which it is installed. Provisions for adequate combustion and ventilation air must be provided. Refer to Air For Combustion and Ventilation of page 7 of this manual.

INSTALLER: Leave this manual with the appliance.
CONSUMER: Retain this manual for future reference.

This appliance is convertible for use with propane/LP gas by using the MANUAL ON/OFF VALVE/SAFETY PILOT KIT (see ACCESSORIES on page 18).



Questions, problems, missing parts? Before returning to your retailer, call our customer service department at 1-877-447-4768, 8:30 a.m. – 4:30 p.m., CST, Monday – Friday or email us at customerservice@ghpgroupinc.com.

80-10-232 - 2015-11-16

TABLE OF CONTENTS

Specifications	2
Important Safety Information	3
Product Identification	5
Product Features	6
Unpacking.....	6
Preparing for Installation.....	7
Installation	8
Assembling Logs	12
Operation.....	15
Care and Maintenance	17
Accessories	18
Troubleshooting.....	19
Replacement Parts	21
Warranty	23

SPECIFICATIONS

Note: *This vented appliance must be installed only in a solid-fuel burning fireplace with a working flue and constructed of noncombustible material.*

The charts indicate technical information regarding the installation of your gas log set.

Please make sure that all of the specifications shown are applicable before installation is attempted.

The fireplace must include a working flue and venting system with the minimum openings shown as below.

ITEM	VL-WO18D VL-AA18D VL-NO18D	VL-WO24D VL-AA24D VL-NO24D	VL-WO30D VL-AA30D VL-NO30D
Input Rating (BTU/Hr)	45,000	55,000	65,000
Gas Type	NG	NG	NG
Ignition Type	Match	Match	Match
Max. Inlet Pressure	7" WC	7" WC	7" WC
Min. Inlet Pressure	5.5" WC	5.5" WC	5.5" WC
Normal Pressure	7" WC	7" WC	7" WC
(For Purpose of Input Adjustment)			
Minimum Vent Opening	8" Diameter	8" Diameter	8" Diameter

Log Size	Minimum Firebox Size			
	Height	Depth	Front Width	Rear Width
18 in. Vented	19"	15"	24"*	20"
24 in. Vented	19"	15"	30"*	26"
30 in. Vented	20"	15"	36"*	32"

*Important: If adding a Liquid Propane Conversion Safety Pilot Kit to the burner, 8" needs to be added to the front width dimension.

SAFETY INFORMATION

IMPORTANT: Read this owner's manual carefully and completely before trying to assemble, operate, or service this log set. Improper use of this log set can cause serious injury or death from burns, fire, explosion, electrical shock, and carbon monoxide poisoning.

Only a qualified installer, service agent, or local gas supplier may install and service this product.

WARNING: Do not store or use gasoline or other flammable vapors or liquids in the vicinity of this or any other appliance.

WARNING: The log set is shipped from the factory adjusted for natural gas use only. Liquid Propane can only be used after installation of Liquid Propane Conversion Safety Pilot Kit.

CARBON MONOXIDE POISONING: Early signs of carbon monoxide poisoning resemble the flu with headaches, dizziness, or nausea. If you have these signs, the log set may not be working properly. Get fresh air immediately! Have log set serviced. Some people are more affected by carbon monoxide than others. These include pregnant women, people with heart or lung disease, people who are anemic, those under the influence of alcohol, and those living in high altitudes.

NATURAL AND PROPANE/LP GAS: Natural and Propane/LP gases are odorless. An odor-making agent is added to the gas. The odor helps you detect a gas leak. However, the odor added to the gas can fade. Gas may be present even though no odor exists. Make certain you read and understand all warnings. Keep this manual for reference. It is your guide to operating this log set safely.

WARNING:

- Due to high temperatures, locate this appliance out of traffic and away from furniture and draperies.
- Log set becomes very hot when operating. Keep children and adults away from hot surfaces to avoid burns or clothing ignition. Log set will remain hot for a time after shut-off. Allow surfaces to cool before touching.
- Carefully supervise young children when they are in the room with the log set.
- Do not place clothing or other flammable material on or near the appliance. Never place any objects in the log set.
- Installation and repair should be done by a qualified service person. The appliance should be inspected before use and at least annually by a professional service person. More frequent cleaning may be required due to excessive lint from carpeting, bedding material, etc. It is imperative that control compartments, burners and circulating air passageways of the appliance be kept clean.
- Any change to this log set or its controls can be dangerous.
- **DO NOT OPERATE THIS GAS LOG SET WITH GLASS DOORS CLOSED.**
- Do not use any accessories not approved for use with this log set.
- Keep the appliance area clear and free from combustible materials, gasoline, and other flammable vapors and liquids.

CALIFORNIA PROPOSITION 65

Fuels used in gas or oil fired appliances and the products of combustion of such fuels contain chemicals known to the state of California to cause cancer, birth defects or other reproductive harm. This product contains chemicals, including lead and lead compounds, known to the state of California to cause cancer, birth defects or other reproductive harm. ***Wash hands after handling.***



SAFETY INFORMATION

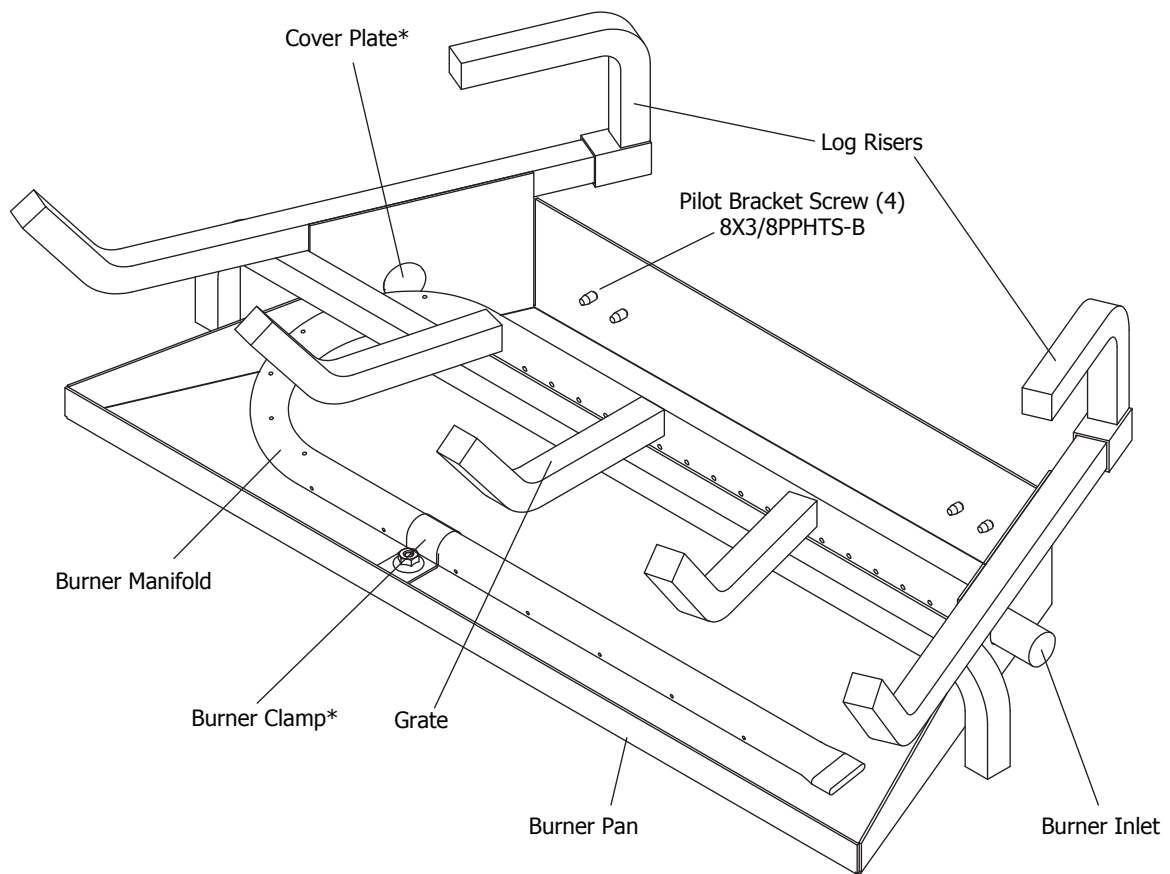
1. This appliance is only for use with the type of gas indicated on the rating plate.
2. Do not place propane/LP supply tank(s) inside any structure. Locate propane/LP supply tank(s) outdoors.
3. If you smell gas
 - shut off gas supply
 - do not try to light any appliance
 - do not touch any electrical switch; do not use any phone in your building
 - immediately call your gas supplier from a neighbor's phone. Follow the gas supplier's instructions
 - if you cannot reach your gas supplier, call the fire department
4. This log set shall not be installed in a bedroom or bathroom.
5. Do not use this log set as a wood-burning log set. Use only the logs provided with the log set.
6. Do not add extra logs or ornaments such as pine cones, vermiculite or rock wool. Using these added items can cause sooting.
7. This log set is designed to be smokeless. If logs ever appear to smoke, turn off log set and call a qualified service person. Note: During initial operation, slight smoking could occur due to log curing and log set burning manufacturing residues.
8. To prevent the creation of soot, follow the instructions in Cleaning and Maintenance, page 17-18.
9. Before using furniture polish, wax, carpet cleaner or similar products, turn log set off. If heated, the vapors from these products may create a white powder residue within burner box or on adjacent walls or furniture.
10. This log set needs fresh air ventilation to run properly.
11. Do not run log set
 - where flammable liquids or vapors are used or stored.
 - under dusty conditions.
12. Do not use this log set to cook food or burn paper or other objects.
13. Never place any objects in the fireplace or the logs.
14. Do not use log set if any part has been under water. Immediately call a qualified service technician to inspect the log set and to replace any part of the control system and any gas control which has been under water.
15. Turn off and unplug log set and let cool before servicing. Only a qualified service person should service and repair log set.

QUALIFIED INSTALLING AGENCY

Only a qualified agency should install and replace gas piping, gas utilization equipment or accessories, and repair and equipment servicing. The term "qualified agency" means any individual, firm, corporation, or company that either in person or through a representative is engaged in and is responsible for:

- a) Installing, testing, or replacing gas piping or
- b) Connecting, installing, testing, repairing, or servicing equipment; that is experienced in such work; that is familiar with all precautions required; and that has complied with all the requirements of the authority having jurisdiction.

PRODUCT IDENTIFICATION



*Uses (4) 8X3/8PPHTS-B Screws

PRODUCT FEATURES

The State of Massachusetts requires that the chimney flue damper, when used with decorative gas log sets, be welded open or completely removed. In the State of Massachusetts, this appliance must be installed by a licensed plumber or gasfitter.

In the State of Massachusetts the gas cock must be a T-handle type. The State of Massachusetts requires that a flexible appliance connector cannot exceed three feet in length.

LOCAL CODES

Install and use log set with care. Follow all codes. In the absence of local codes, use the latest edition of The National Fuel Gas Code, ANSI Z223.1, also known as NFPA 54*.

*Available from:

American National Standard Institute, Inc.
1430 Broadway
New York, NY 10018

National Fire Protection Association, Inc.
1 Batterymarch Park
Quincy, MA 02269-9101

UNPACKING

CAUTION: Do not remove the metal data plates from the burner pan. The data plates contain important product information.

1. Remove logs, pan materials, and hardware from carton.
2. Remove all protective packaging applied to logs and base for shipment.
3. Check all items for any shipping damage. If damaged, promptly inform GHP Group, Inc. at 1-877-447-4768.

Fig. 1

For Masonry Built
Fireplaces Free Opening
Area Of Chimney Damper

	Log Set Size		
	18"	24"	30"
Chimney Height* (ft)	Minimum Opening** (sq. in.)		
6	41.7	49.2	56.6
8	38.7	45.5	52.4
10	35.2	41.7	48.2
15	32.0	37.7	43.2
20	28.8	34.3	39.8
30	26.5	31.2	35.9

* Height is from hearth to top of chimney and the minimum height is 6 feet.

** Chart shows minimum opening (sq. in.) for a given height and input rate.

For Factory Built
Fireplaces Free Opening
Area Of Chimney Damper

	Log Set Size		
	18"	24"	30"
Chimney Height* (ft)	Minimum Opening** (sq. in.)		
10	28.3	35.3	44.2
15	21.2	26.4	32.2
20	18.1	22.1	26.4
25	15.9	18.1	22.1
30	14.5	17.3	20.4
35	13.2	15.9	18.9
40	12.6	15.2	18.1

* Height is from hearth to top of chimney and the minimum height is 10 feet.

** Chart shows minimum opening (sq. in.) for a given height and input rate.

PREPARING FOR INSTALLATION

AIR FOR COMBUSTION AND VENTILATION

⚠ WARNING: If the area in which the log set may be operated does not meet the required volume for indoor combustion air, combustion and ventilation air shall be provided by one of the methods described in the National Fuel Gas Code, ANSI Z223.1/NFPA 54, the International Fuel Gas Code, or applicable local codes.

Today's homes are built more energy efficient than ever. New materials, increased insulation, and new construction methods help reduce heat loss in homes. Home owners weather strip and caulk around windows and doors to keep the cold air out and the warm air in. During heating months, home owners want their homes as airtight as possible.

While it is good to make your home energy efficient, your home needs to breathe. Fresh air must enter your home. All fuel-burning appliances need fresh air for proper combustion and ventilation.

Exhaust fans, fireplaces, clothes dryers, and fuel burning appliances draw air from the house to operate. You must provide adequate fresh air for these appliances. This will ensure proper venting of vented fuel-burning appliances.

⚠ WARNING: Before installing in a solid fuel burning fireplace, the chimney flue and firebox must be cleaned of soot, creosote, ashes, and loose paint by a qualified chimney cleaner. Creosote will ignite if highly heated. A dirty chimney flue may create and distribute soot within the house. Inspect chimney flue for damage.

NOTICE: Installation, service, and repair of this appliance must be performed by a qualified installer, service agency, company or gas supplier experienced with this type of gas appliance. Only factory authorized components listed in these instructions may be used in accordance with the manufacturer's instructions and all codes and requirements of the authority having jurisdiction. Any modifications to this kit, or use of unauthorized components, or accessory items, will void the manufacturer's warranty, and may result in a hazardous condition.

⚠ CAUTION: Do not remove the metal data plates attached to the burner pan. The data plates contain important warranty information.

INSTALLATION

CHECK GAS TYPE

Use only natural gas. If your gas supply is not natural gas, you must install On/Off Safety Pilot Valve Kit (see Accessories, page 18).

If the fireplace does not have a gas supply shutoff valve, one must be installed.

VENTING SPECIFICATIONS FOR INSTALLATION

The fireplace chimney flue and vent must be drafting properly. To check the vent for proper drafting, light a tightly rolled newspaper on one end and place it at the inside front edge of the fireplace. Observe the smoke and be sure the vent is properly drawing it up the chimney. If the smoke spills out into the room, extinguish the flame and remove any obstruction until proper venting is achieved. The chimney flue must remain open a minimum of 3" at all times during the operation of this log set. Any chimney damper must be fixed in a manner which will maintain the minimum permanent vent opening at all times. It is highly recommended to install a damper clamp (See next page) to prevent the damper from accidentally closing.

The minimum permanent free opening (in square inches) that must be provided by either the fireplace chimney or chimney damper to vent the flue gases. The minimum vent area shall be determined by the manufacturer in accordance with the venting specifications page 6, Fig. 1 for each of the chimney heights indicated. (Per 1.15.7.; ANSI 1.14.1B)

INSTALLATION

INSTALLATION

PREPARE DAMPER

The chimney damper must be fixed open in a manner which will maintain the minimum permanent vent opening at all times. This may be accomplished by installing a screw or bolt in the edge of the damper to prevent the damper from closing, by drilling a hole or holes in the damper blade or by installing the supplied damper clamp on the edge of the damper blade (see Figure 2).

NOTE: The State of Massachusetts requires the chimney damper to be removed or to be welded in the fully open position.

HEARTH KIT ASSEMBLY

Note: The following instructions apply to dual flame "U" style burners. Be sure all pipe threaded connections are tight, and have thread compound to prevent leaks.

1. Determine which side the gas line will be coming into the fireplace.

Gas line is on the right side. This unit is manufactured with the gas inlet on the right side of the burner pan. See Installation and Gas Connection, page 9.

Gas line is on the left side. If your gas line will be coming into the fireplace from the left side, continue with step 2.

2. Using a screwdriver, remove cover plate on left side of burner pan (see Figure 3).

3. Unscrew burner inlet fitting from burner manifold (see Figure 3).

4. Place burner manifold in pan with threaded opening facing opening on left side.

5. Using thread sealant (resistant to the action of natural gas) on larger end of fitting, screw the burner inlet fitting through hole and into burner manifold. Tighten using a wrench (see Figure 4).

6. Using burner clamp, screw, and nut provided, assemble clamp to pan. This will hold the burner manifold in place (see Figure 4).

7. Using screws removed in step 2, install cover plate over opening on right side of burner pan (see Figure 4).

Fig. 2

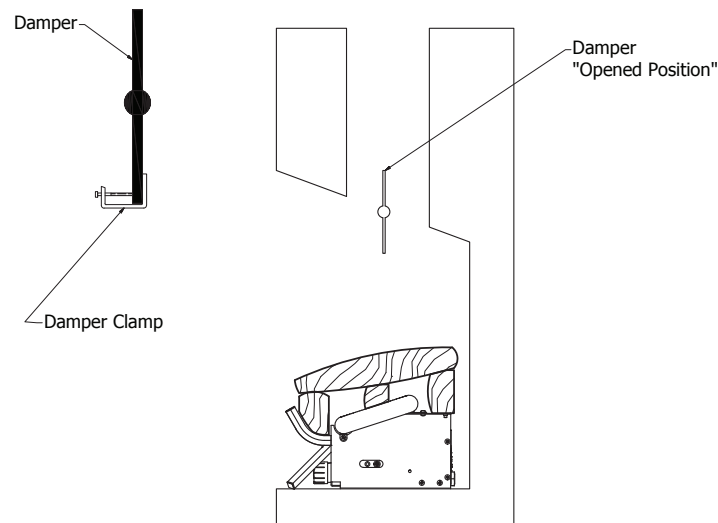


Fig. 3

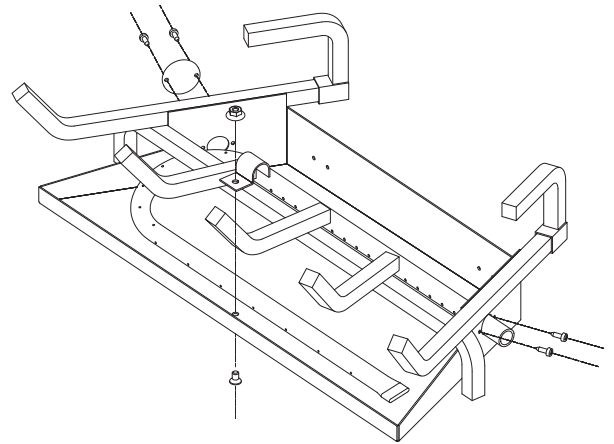
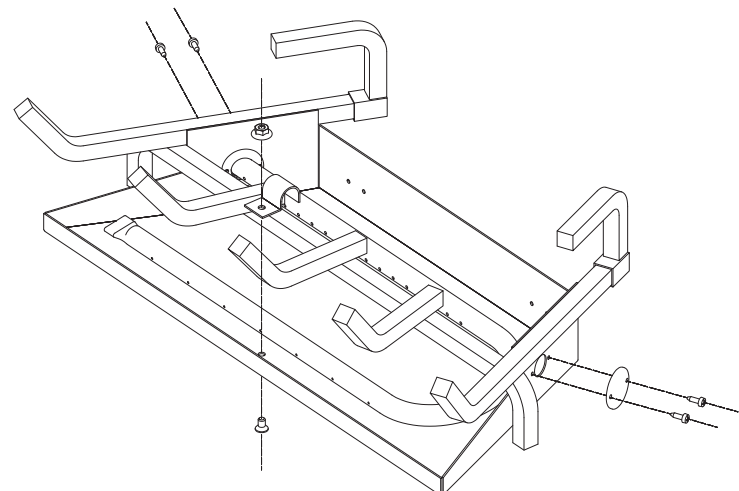


Fig. 4



INSTALLATION

In compliance with ANSI Z21.60•CGA2.26 and National Fuel Gas Code, Section 6.

BEFORE INSTALLING THE APPLIANCE

- Turn off gas supply to fireplace or firebox.
- Clean fireplace floor and chimney before installing log set. Seal any ash. Clean out doors to protect the unit from down drafts.

⚠ WARNING: Before installing this appliance, have the fireplace and chimney professionally cleaned to remove any ashes, soot, creosote, or other obstructions. Perform this cleaning annually after installation.

Installation and Gas Connection (See Fig. 5)

1. Place the burner pan assembly in the center of the fireplace floor. Make sure the front of pan faces forward.
- 2a. Thread the keyed shut-off valve to the fireplace gas supply pipe. Use thread sealant.
- 2b. If a keyed shut-off valve is already installed, thread 1/2" female connector to the fireplace gas supply pipe. Use thread sealant.
3. Thread adapter fitting into keyed shut-off valve (or 1/2" Female Connector).
4. Install 3/8" orifice fitting onto the burner inlet fitting using thread sealant on male threads of burner inlet fitting.
5. Install the gas flex tube to the adapter fitting. Carefully shape tube to attach to orifice fitting.

CONNECTION TO GAS SUPPLY

⚠ WARNING: A qualified service person must connect log set to gas supply. Follow all local codes.

Installation Items Needed

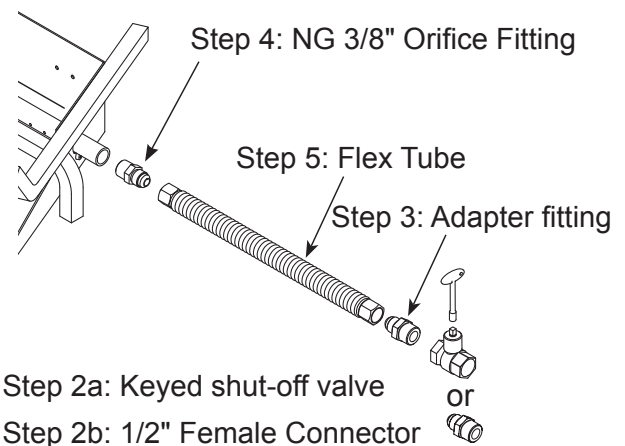
Before installing log set, make sure you have the items listed below.

- piping (check local codes)
- sealant (resistant to natural gas)
- equipment shutoff valve
- test gauge connection
- adjustable (crescent) wrench or pliers
- sediment trap
- tee joint
- pipe wrench

⚠ CAUTION: Only use a new, black iron or steel pipe. Internally-tinned copper tubing may be used in certain areas. Check your local codes. Use pipe of 1/2" diameter or greater to allow proper gas volume to log set. If pipe is too small, loss of pressure will occur.

Installation must include an equipment shutoff valve, union, and plugged 1/8" NPT tap. Locate NPT tap within reach for test gauge hook up. NPT tap must be upstream from log set (see Figure 6).

Fig. 5

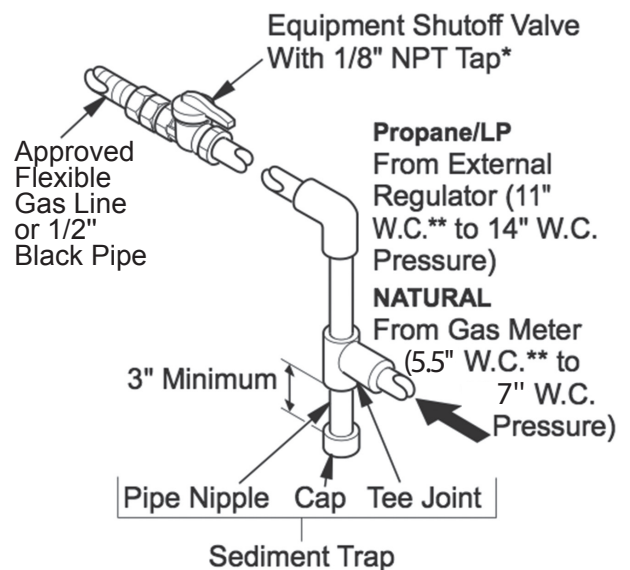


IMPORTANT: Install equipment shutoff valve in an accessible location. The equipment shutoff valve is for turning on or shutting off the gas to the appliance.

Apply pipe joint sealant lightly to male threads. This will prevent excess sealant from going into pipe. Excess sealant in pipe could result in a clogged burner injector.

Install sediment trap in supply line as shown in Figure 6. Locate sediment trap where it is within reach for cleaning. Locate sediment trap where trapped matter is not likely to freeze. A sediment trap traps moisture and contaminants. This keeps them from going into log set controls. If sediment trap is not installed or is installed incorrectly, log set may not run properly.

Fig. 6



INSTALLATION

CHECKING GAS CONNECTIONS

⚠ WARNING: Test all gas piping and connections for leaks after installing or servicing. Correct all leaks immediately.

⚠ WARNING: Never use an open flame to check for a leak. Apply a mixture of liquid soap and water to all joints. If bubbles form, there may be a leak. Correct all leaks immediately.

Pressure Testing Gas Supply Piping System Test Pressures In Excess Of 1/2 PSIG (3.5kPa)

1. Disconnect log set with its appliance main gas valve (control valve) and equipment shutoff valve from gas supply piping system. Pressures in excess of 1/2 PSIG will damage log set regulator.
2. Cap off open end of gas pipe where equipment shutoff valve was connected.
3. Pressurize supply piping system by either using compressed air or opening gas supply tank valve.
4. Check all joints of gas supply piping system. Apply mixture of liquid soap and water to gas joints. If bubbles form, there may be a leak.
5. Correct all leaks immediately.
6. Reconnect log set and equipment shutoff valve to gas supply. Check reconnected fittings for leaks.

Test Pressures Equal To or Less Than 1/2 PSIG (3.5 kPa)

1. Close equipment shutoff valve (See Fig. 7).
2. Pressure supply piping system by either using compressed air or opening gas supply tank valve.
3. Check all joints from gas meter to equipment shutoff valve (See Fig. 8.1 & 8.2). Apply mixture of liquid soap and water to gas joints. If bubbles form, there may be a leak.
4. Correct all leaks immediately.

Pressure Testing Log set Gas Connections

1. Open equipment shutoff valve (See Fig. 7).
2. Open gas supply tank valve.
3. Make sure control knob of log set is in the OFF position.
4. Check all joints from equipment shutoff valve to control valve (See Fig. 8.1 & 8.2). Apply mixture of liquid soap and water to gas joints. If bubbles form, there may be a leak.
5. Light log set (see Operation, page 16).
6. Turn off log set (see "To Turn Off Gas to Appliance," page 16).

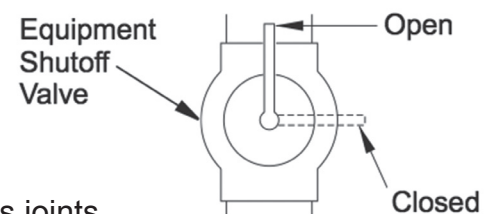
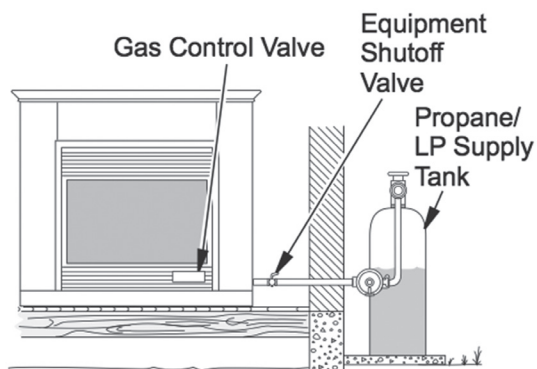
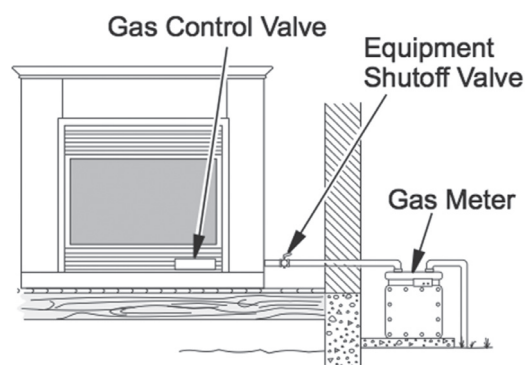


Fig. 7 - Equipment Shutoff Valve



**Fig. 8.1 - Checking Gas Joints
(Propane/LP Only)**



**Fig. 8.2 - Checking Gas Joints
(Natural Gas Only)**

INSTALLATION

ADDING PAN MATERIAL

⚠ WARNING: Apply loose material (embers and lava rock [cinders]) per instruction manual. DO NOT apply extra material not supplied with this appliance. All previously applied loose material (embers) must be removed prior to reapplication.

1. Open bags of ash bed material (vermiculite), and spread evenly across burner pan to the top. It is ok to cover the connecting hardware and the burner pan, but DO NOT cover the gas valve.
2. Open Glowing Embers and lightly and evenly cover the Vermiculite that was put into the pan on step 1 with 1/2" size ember fiber pieces.
3. Place the Lava Rock around the burner assembly. DO NOT place inside of heater or on logs. Place desired amount of lava rock on the fireplace floor only.

ASSEMBLING LOGS

VL-WO18D/VL-WO24D/VL-WO30D

⚠ WARNING: Failure to position the parts in accordance with these diagrams or failure to use only parts specifically approved with this log set may result in property damage or personal injury.

⚠ CAUTION: After installation and periodically thereafter, check to ensure that no yellow flame comes in contact with any log. With the log set set to High, check to see if yellow flames contact any log. If so, reposition logs according to the log installation instructions in this manual. Yellow flames contacting logs will create soot.

It is very important to install the logs exactly as instructed. Do not modify logs; use only logs supplied with log set. Each log is marked with a number, and this number will help you identify each log during installation.

NOTE: These log installation instructions are recommended to decrease the amount of sooting the most.

Provided Logs: 6

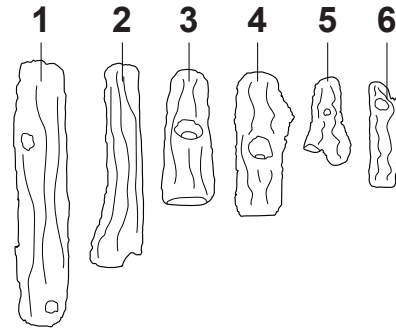
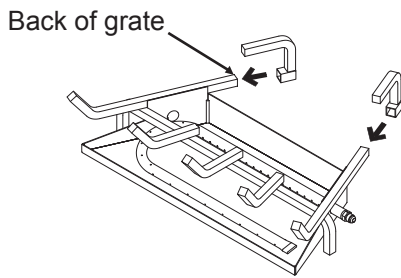
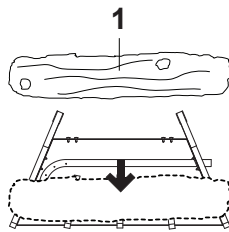


Fig. 9 - Installing Risers



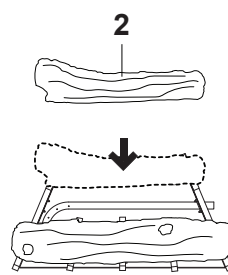
1. After optional accessories are installed (see previous page), slide both risers onto the back of the grate. Make sure the back of the grate is flush with the back of the riser.

Fig. 10 - Installing Log #1



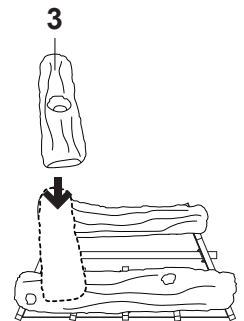
2. Place log #1 on the top of the front grate and make sure the log is centered in the grate.

Fig. 11 - Installing Log #2



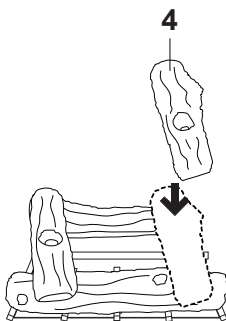
3. Carefully place log #2 on the top of the risers. Make sure the log is centered on top of the risers.

Fig. 12 - Installing Log #3



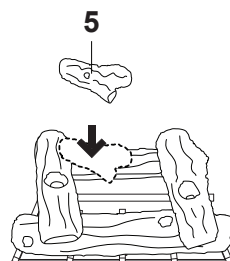
3. Place log #3 so it is resting on the top left of logs #1 and #2.

Fig. 13 - Installing Log #4



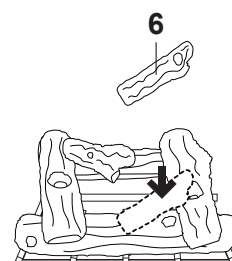
4. Place log #4 so it is resting on the top right of logs #1 and #2.

Fig. 14 - Installing Log #5



5. Place log #5 so it is resting on logs #3 and #2 only.

Fig. 15 - Installing Log #6



6. Place log #6 so that it is resting on logs #1 and #4.

ASSEMBLING LOGS

VL-AA18D/VL-NO18D

⚠ WARNING: Failure to position the parts in accordance with these diagrams or failure to use only parts specifically approved with this log set may result in property damage or personal injury.

⚠ CAUTION: After installation and periodically thereafter, check to ensure that no yellow flame comes in contact with any log. With the log set set to High, check to see if yellow flames contact any log. If so, reposition logs according to the log installation instructions in this manual. Yellow flames contacting logs will create soot.

Provided Logs: 7

It is very important to install the logs exactly as instructed. Do not modify logs; use only logs supplied with log set. Each log is marked with a number, and this number will help you identify each log during installation.

NOTE: These log installation instructions are recommended to decrease the amount of sooting the most.

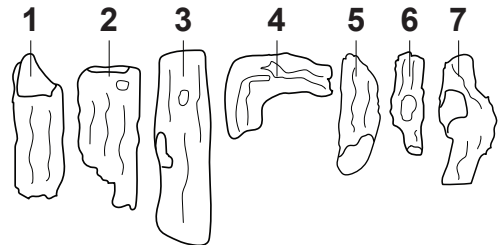
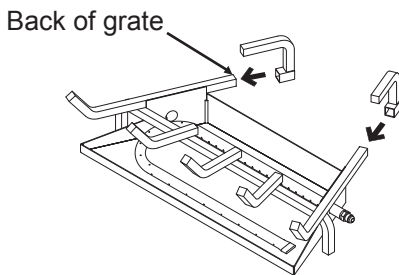
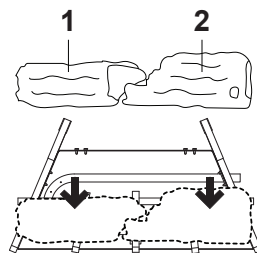


Fig. 16 - Installing Risers



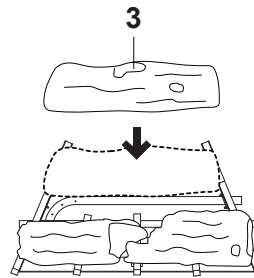
1. After optional accessories are installed (see page 11), slide both risers onto the back of the grate. Make sure the back of the grate is flush with the back of the riser.

Fig. 17 - Installing Logs #1-2



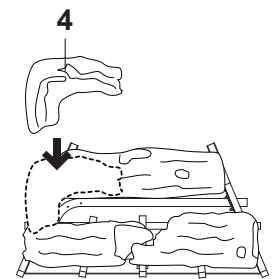
2. Place logs #1 and #2 on the top of the front grate and make sure the break in between the two logs is centered on the grate and the logs are touching.

Fig. 18 - Installing Log #3



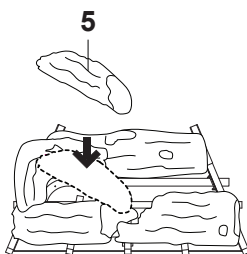
3. Carefully place log #3 on the top of the risers. Make sure the log is centered on top of the risers.

Fig. 19 - Installing Log #4



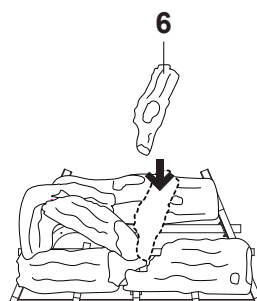
3. Place log #4 so it is resting on the top left of logs #1 and #3. The long side should be resting on log #3.

Fig. 20 - Installing Log #5



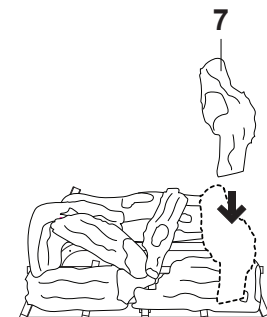
4. Place log #5 so it is resting on the back of log #4 and somewhere on the break of logs #1 and #2.

Fig. 21 - Installing Log #6



5. Place log #6 so it is resting on logs #3 and #5 only.

Fig. 22 - Installing Log #7



6. Place log #7 so that it is resting on logs #2 and #3.

ASSEMBLING LOGS

VL-AA24D/VL-AA30D/VL-NO24D/VL-NO30D

WARNING: Failure to position the parts in accordance with these diagrams or failure to use only parts specifically approved with this log set may result in property damage or personal injury.

CAUTION: After installation and periodically thereafter, check to ensure that no yellow flame comes in contact with any log. With the log set set to High, check to see if yellow flames contact any log. If so, reposition logs according to the log installation instructions in this manual. Yellow flames contacting logs will create soot.

Provided Logs: 7

It is very important to install the logs exactly as instructed. Do not modify logs; use only logs supplied with log set. Each log is marked with a number, and this number will help you identify each log during installation.

NOTE: These log installation instructions are recommended to decrease the amount of sooting the most.

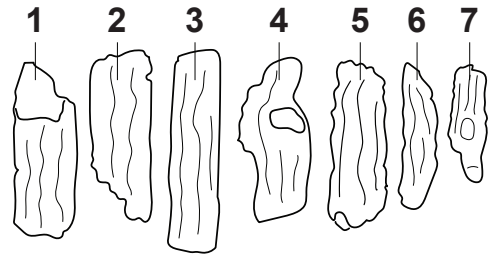
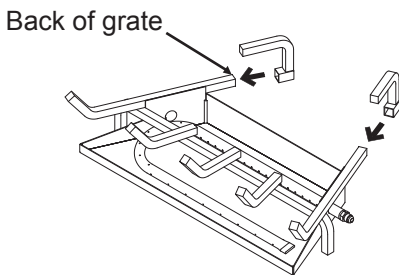
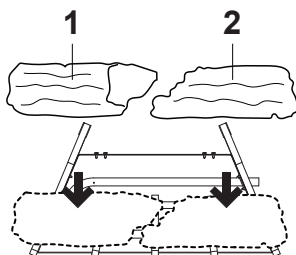


Fig. 23 - Installing Risers



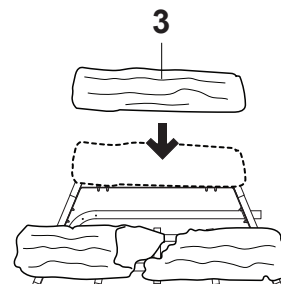
1. After optional accessories are installed (see page 11), slide both risers onto the back of the grate. Make sure the back of the grate is flush with the back of the riser.

Fig. 24 - Installing Logs #1-#2



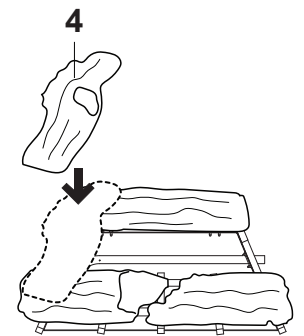
2. Place log #1 and #2 on the top of the front grate and make sure the break between the two logs is centered on the grate and the logs are touching.

Fig. 25 - Installing Log #3



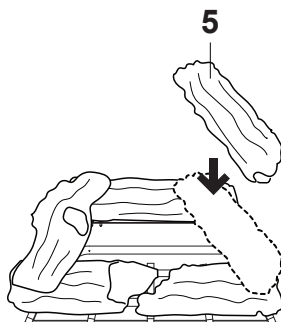
3. Carefully place log #3 on the top of the risers. Make sure the log is centered on top of the risers.

Fig. 26 - Installing Log #4



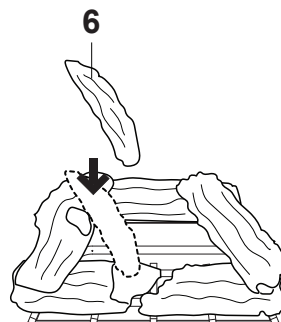
3. Place log #4 so it is resting on the top left of logs #1 and #3.

Fig. 27 - Installing Log #5



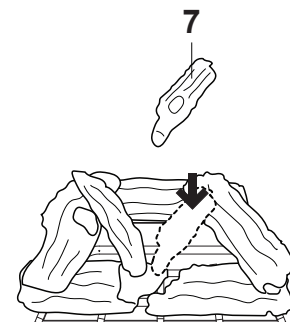
4. Place log #5 so it is resting on the top right of logs #2 and #3.

Fig. 28 - Installing Log #6



5. Place log #6 so it is resting on log #4 and somewhere on the break of logs #1 and #2.

Fig. 29 - Installing Log #7



6. Place log #7 so that it is resting on logs #1 and #5.

OPERATION

FOR YOUR SAFETY READ BEFORE LIGHTING



WARNING: If you do not follow these instructions exactly, a fire or explosion may result causing property damage, personal injury or loss of life.

A. This appliance requires ignition by match lighting. When lighting the appliance, follow these instructions exactly.

B. **BEFORE LIGHTING** smell all around the appliance area for gas. Be sure to smell next to the floor because some gas is heavier than air and will settle on the floor.

WHAT TO DO IF YOU SMELL GAS

- Do not try to light any appliance.
- Do not touch any electrical switch; do not use any phone in your building.
- Immediately call your gas supplier from a neighbor's phone. Follow the gas supplier's instructions.
- If you cannot reach your gas supplier, call the fire department

C. Use only your hand to push in or turn the gas control knob. Never use tools. If the knob will not push in or turn by hand, don't try to repair it, call a qualified service technician. Forced or attempted repair may result in fire or explosion.

D. Do not use this appliance if any part has been under water. Immediately call a qualified service technician to inspect the appliance and to replace any part of the control system and any gas control which has been under water.

E. Solid fuels shall not be burned in a fireplace where a decorative appliance is installed.

F. A fireplace screen must be in place when the appliance is operating and, unless other provisions for combustion air are provided, the screen shall have an opening(s) for introduction of combustion air.



IMPORTANT: This gas log set requires curing the first time that they are put into operation. You must complete the following instructions for curing to avoid cracking the logs with continued use.

During the 3 hour "curing period" of the appliance, you may detect an odor from the appliance. Do not be alarmed, this is a temporary and normal situation, which indicates the various compounds and paints being used in the log set are curing. Optionally, additional ventilation to the room during this "curing period" may be something to consider.

Proper curing of the logs should go as follows:

- 1) Ignite a 2" flame. Maintain for 1 hour
- 2) Let the logs cool down for 30 minutes
- 3) Ignite the appliance again, but with the flame 2" higher than the last time. Maintain for 1 hour
- 4) Repeat steps 2-3 until flame reaches maximum height, and for a total of 3 hours.

OPERATION

LIGHTING INSTRUCTIONS - MATCH LIGHT UNITS

1. STOP! Read the safety information as noted above.

⚠ WARNING: BE SURE THAT THE CHIMNEY DAMPER IS FULLY OPEN.

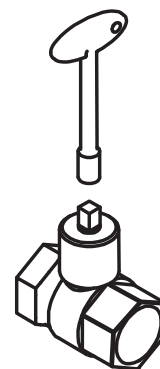
2. Read all warnings and safety information in this manual.

3. Turn keyed shutoff valve to the "OFF" position (see Figure 30).

4. Wait five (5) minutes to clear out any gas. If you smell gas, STOP! Follow the safety instructions on the previous page named "WHAT TO DO IF YOU SMELL GAS". If you do not smell gas, continue onto the next step.

5. Place a burning match on the surface of the burner embers. Do not hold match in hand.

6. Slowly turn keyed shutoff valve ON. The gas should ignite in five (5) seconds. If there is no ignition within ten seconds of laying the match down, set keyed shutoff valve to OFF and repeat steps 1-5 again.



**Fig. 30 - Keyed
Shut-Off Valve -
"OFF" Position**

⚠ WARNING: The fireplace screen must be in place when the appliance is operating and, unless other provisions for combustion are provided, the screen shall have an opening(s) for introduction of combustion air.

⚠ WARNING: Any glass doors shall be completely opened while appliance is in operation.

TO TURN OFF GAS TO APPLIANCE

1. Gently turn the keyed shutoff valve to the "OFF" position. (See Figure 30).

CARE AND MAINTENANCE

BURNER FLAME PATTERN

Figure 31 shows a correct burner flame pattern. Figure 32 shows an incorrect burner flame pattern. The incorrect burner flame pattern shows sporadic, irregular flame tipping. The flame should not be dark or have an orange/reddish tinge.

Note: When using the log set the first time, the flame will be orange for approximately one hour until the log cures.

If burner flame pattern is incorrect, as shown in Figure 32.

- turn log set off (see To Turn Off Gas to Appliance, page 16).
- see Troubleshooting, page 19.

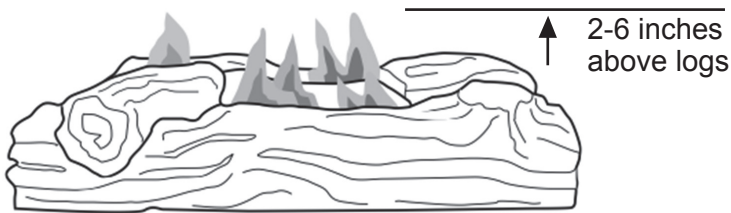


Fig. 31 - Correct/Normal Flame Pattern with short flames

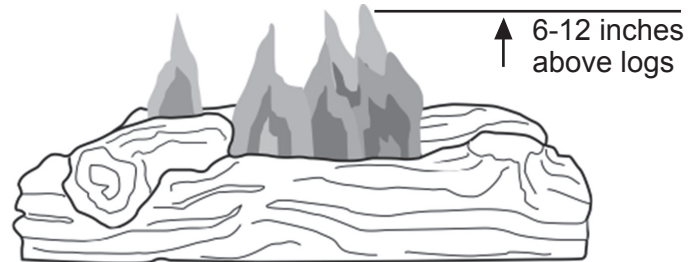


Fig. 32 -Incorrect/Abnormal Flame Pattern with tall flames

⚠ WARNING: Turn off log set and let cool before servicing.

⚠ CAUTION: You must keep control areas, burner, and circulating air passageways of log set clean. Inspect these areas of log set before each use. Have log set inspected yearly by a qualified service person. Log set may need more frequent cleaning due to excessive lint from carpeting, bedding material, pet hair, etc.

⚠ WARNING: Failure to keep the primary air opening(s) of the burner(s) clean may result in sooting and property damage.

BURNER ORIFICE HOLDER AND PILOT AIR INLET HOLE

The primary air inlet holes allow the proper amount of air to mix with the gas. This provides a clean burning flame. Keep these holes clear of dust, dirt, lint and pet hair. Clean these air inlet holes prior to each heating season. Blocked air holes will create soot. We recommend that you clean the unit every three months during operation and have log set inspected yearly by a qualified service person.

We also recommend that you keep the burner tube and pilot assembly clean and free of dust and dirt. To clean these parts we recommend using compressed air no greater than 30 PSI. Your local computer store, hardware store or home center may carry compressed air in a can. If using compressed air in a can, please follow the directions on the can. If you don't follow directions on the can, you could damage the pilot assembly.

Periodic examination and cleaning of the venting system and the solid fuel-burning fireplace, including frequency of such examination and cleaning, must be done by a qualified agency.

CARE AND MAINTENANCE

- Keep the area around the log set clean and clear of debris.
- Once every year a qualified agency or certified chimney sweep should examine and clean the venting system of the fireplace.

At the beginning of each season, the system should be checked as follows:

1. Check the chimney flue/vent pipe to ensure that the flue is drawing properly. This will also check if any vent pipe connections are tight.
2. Check to see that the chimney/vent termination have no blockages.
3. Check the chimney and/or vents for creosote and soot build-up and clean if necessary.
4. Inspect the burners and pilot (if applicable).

The burner system has been previously adjusted for proper operation at the factory. No adjustment is necessary, other than pilot flame or altitude de-rate.

SOOTING & CLEANING LOGS

Occasional sooting of your log set is common, adding to the appearance of real burned wood. If excessive sooting is occurring and accumulates, the logs can be cleaned using either of the following options:

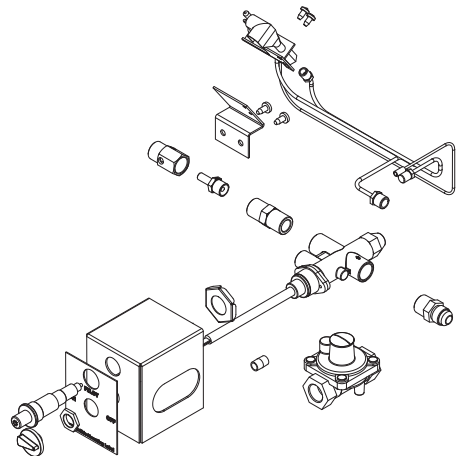
- A. Spray the logs with clean water while they are burning and hot. The soot will burn and lift off.
- B. Brush the soot off with a stiff brush while the logs are cool. While using a brush, do not use water or soot cleaners.

ACCESSORIES

Purchase these fireplace accessories from your local dealer. If they can not supply these accessories, contact customer service department for information.

Note: Moisture may cause the granules and Glowing Embers in your burner pan to settle. To return the flame to the original condition and improve the burn, follow these tips.

- a. Settling of sand (or vermiculite) - Using a screwdriver or flat-blade knife, carefully stir the granules, loosening the material. Clear up any spills.
- b. Embers - Break up any clumps (where used) - Inspect control and pilot to be sure it is free of dirt or debris.



VMC100 - VERMICULITE

Helps spread gas evenly throughout the burner pan for a more full flame pattern. Also, doubles as an ash bed.

LVR100 - LAVA ROCK

Enhances depth and realism by creating a realistic rock bed for vented or vent-free gas logs. Use as a replacement or first-time use.

SPK100 - Safety Pilot/LP Conversion Kit

Required for propane/LP installation.

GEF100 - GLOWING EMBER FIBERS

Adds realism to gas logs by providing the same effect as a glowing bed of ashes found in a wood-burning fire.

TROUBLESHOOTING

⚠ WARNING: If you smell gas:

- Shut off gas supply.
- Do not try to light any appliance.
- Do not touch any electrical switch; do not use any phone in your building.
- Immediately call your gas supplier from a neighbor's phone. Follow the gas supplier's instructions.
- If you cannot reach your gas supplier, call the fire department.

IMPORTANT: Operating log set where impurities in air exist may create odors. Cleaning supplies, paint, paint remover, cigarette smoke, cements and glues, new carpet or textiles, etc., create fumes. These fumes may mix with combustion air and create odors.

⚠ WARNING: Turn off and let cool before servicing. Only a qualified service person should service and repair log set.

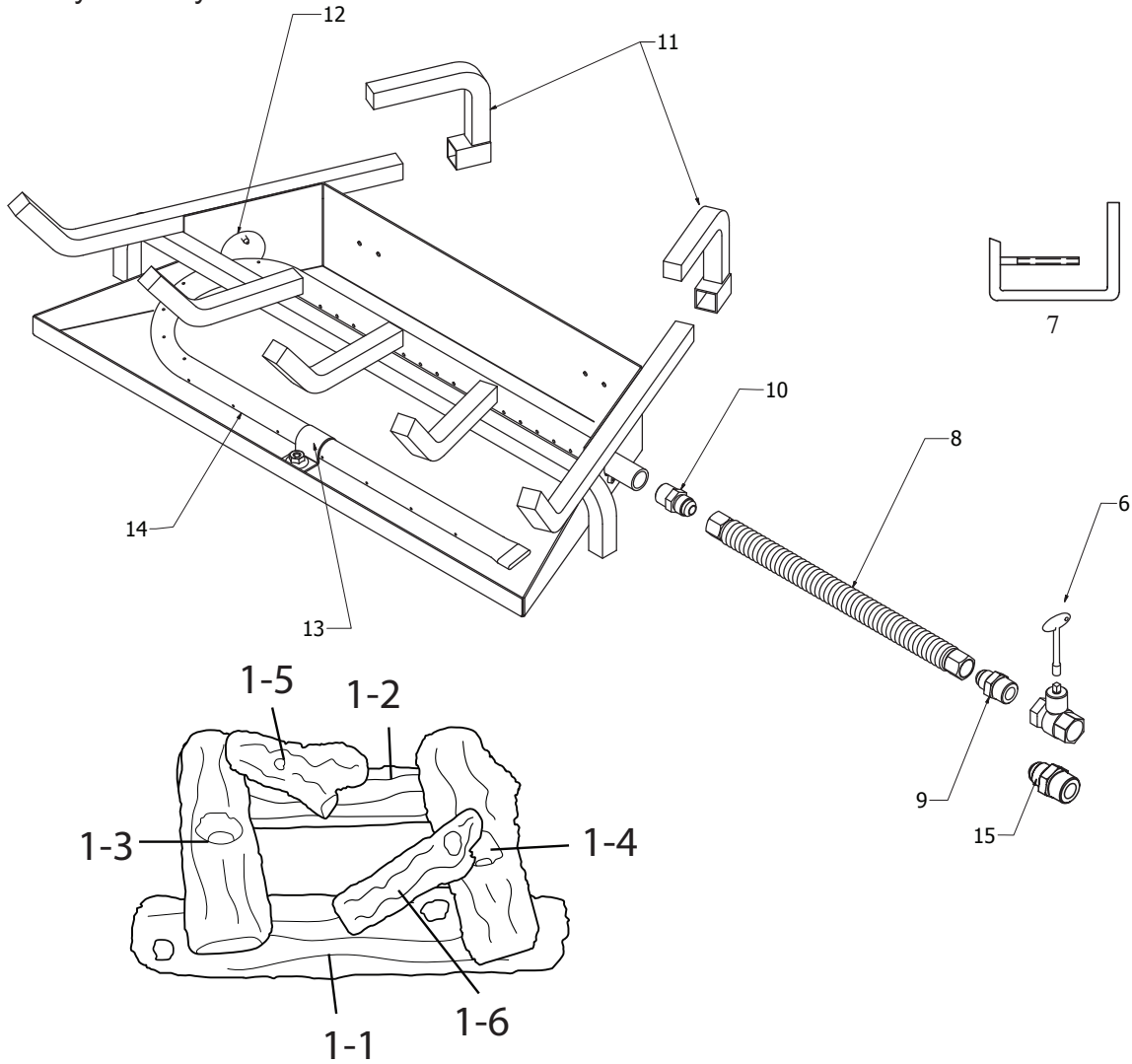
PROBLEM	POSSIBLE CAUSE	CORRECTIVE ACTION
<p>Log set is smoking/sooting excessively</p> <p>Note: It is natural and unavoidable for vented gas log sets to produce moderate levels of carbon(soot) where flames contact the logs.</p>	<ol style="list-style-type: none"> 1. Poor fuel quality. 2. Fireplace venting system not drafting properly. 3. Excessive flame impingement or blockage. 4. Improper fuel/air mixture. 5. Excessive gas supply/ pressure. 6. Damper closed or not open sufficiently. 	<ol style="list-style-type: none"> 1. Contact local natural gas company. 2. Adjust damper wide open and/or have fireplace and venting professional cleaned and checked. 3. Separate the logs to allow more flame passage. 4. Remove any foreign items from the flame pattern. 5. Preheat flue in very cold weather 6. Open the damper fully when operating the gas log set.
<p>Burner is excessively noisy. Note: The movement and combustion of gas will create low, unavoidable levels of noise.</p>	<ol style="list-style-type: none"> 1. Passage of air/gas across irregular surfaces. 	<ol style="list-style-type: none"> 1. Relieve any tight bends or kinks in gas supply line.
<p>Burner flame is too low or too high.</p>	<ol style="list-style-type: none"> 1. Incorrect gas supply or pressure. 2 Blocked burner orifice or burner manifold ports. 3. Improper burner orifice size. 4. Valve not operating properly. 5. High Altitude. 	<ol style="list-style-type: none"> 1. Check for proper gas supply pressure. 2. Free burner orifice and manifold ports of any burrs, paint, or other blockage. 3. Verify proper burner orifice sizing. 4. Replace Valve. 5. Adjust orifice size for altitude.

TROUBLESHOOTING

PROBLEM	POSSIBLE CAUSE	CORRECTIVE ACTION
Log set produces a clicking/ticking noise just after burner is lit or shut off.	1. Metal expanding while heating or contracting while cooling.	1. This is common with most log sets. If noise is excessive, contact qualified service person.
Log set produces unwanted odors.	1. Log Set burning vapors from paint, hair spray, glues, cleaners, chemicals, new carpet, etc. (See IMPORTANT statement page 19). 2. Gas leak. See Warning statement page 19.	1. Open flue to maximum. Stop using odor causing products while log set is running. 2. Locate and correct all leaks (see Checking Gas Connections, page 10).
Gas odor even when control knob is in OFF position.	1. Gas leak. See Warning statement page 19. 2. Control valve defective.	1. Locate and correct all leaks (see Checking Gas Connections, page 10). 2. Replace control valve.
Gas odor during combustion.	1. Gas leak. See Warning statement at top of page 19.	1. Locate and correct all leaks (see Checking Gas Connections, page 10).
Whistle noise when burner is on.	1. Air in gas line. 2. Control knob not in fully open position. 3. Spiral gas flex line.	1. Bleed gas lines. 2. Turn control to full Open position. 3. Replace gas supply line.

REPLACEMENT PARTS

For replacement parts, call our Technical Service Department at 1-877-447-4768, 8:30 a.m. –4:30 p.m., CST, Monday – Friday.

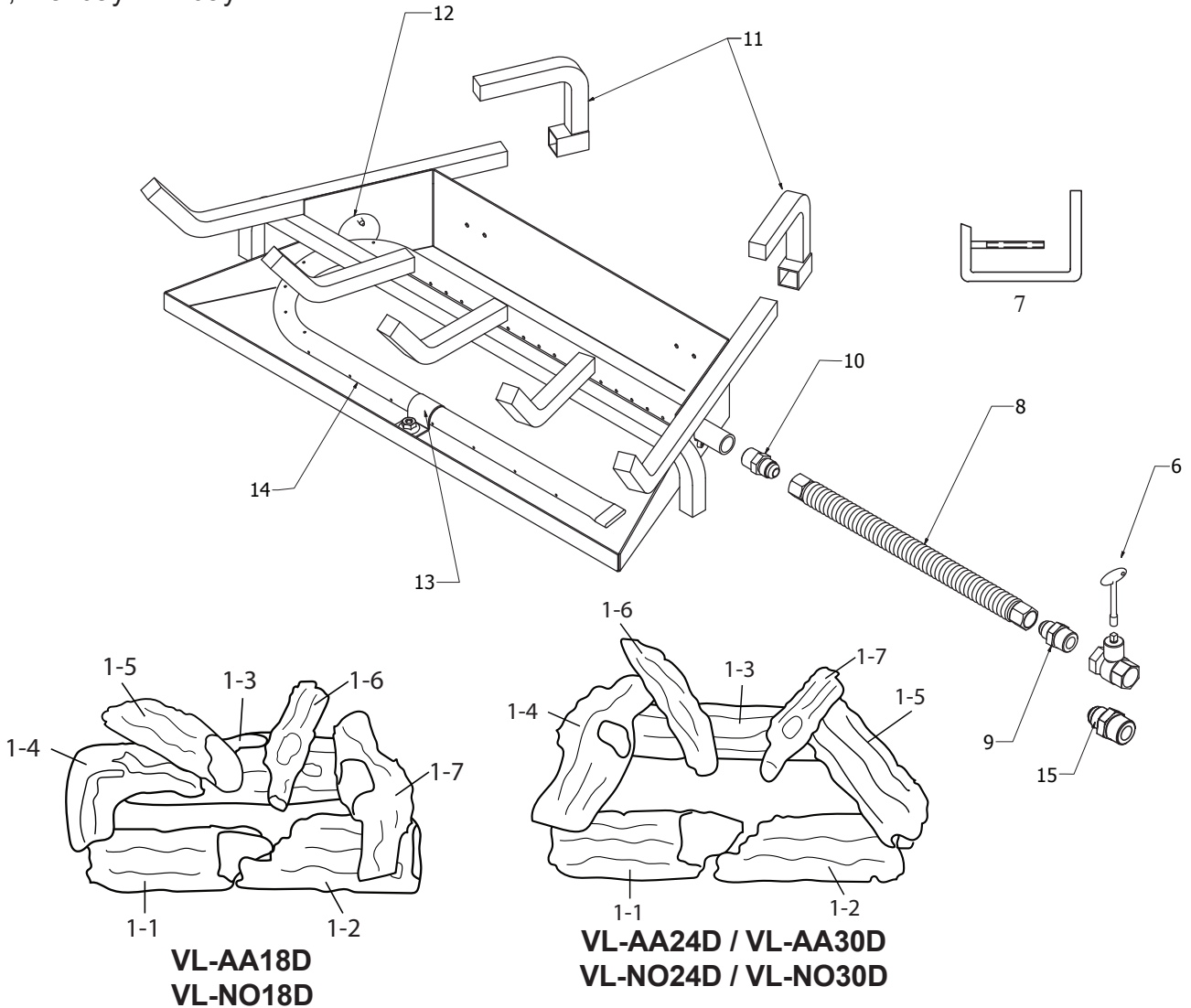


VL-WO18D / VL-WO24D / VL-WO30D

ITEM No.	DESCRIPTION	QTY	VL-WO18D	PART NO. VL-WO24D	VL-WO30D
1	Log Set (Complete)	1	80-06-27	80-06-28	80-06-29
1-1	Log 1	1	H-0063	H-0068	H-0071
1-2	Log 2	1	H-0064	H-0069	H-0070
1-3	Log 3	1	H-0061	H-0066	H-0066
1-4	Log 4	1	H-0062	H-0067	H-0067
1-5	Log 5	1	H-0060	H-0065	H-0065
1-6	Log 6	1	H-0059	H-0059	H-0059
1-7	Log 7	1	NA	NA	NA
6	Shut-Off Valve	1	80-06-30	80-06-30	80-06-30
7	Damper Clamp	1	80-06-031	80-06-031	80-06-031
8	12" Flex Line	1	80-06-032	80-06-032	80-06-032
9	3/8" Flare x 1/2" MIP Connector	1	80-05-104	80-05-104	80-05-104
10	3/8" orifice fittingr (NG)	1	80-06-034	80-06-034	80-06-034
11	Log Riser	2	80-06-035	80-06-035	80-06-035
12	Cover Plate	1	80-06-036	80-06-036	80-06-036
13	Burner tube Clamp	1	80-06-037	80-06-037	80-06-037
14	Burner tube	1	80-06-038	80-06-039	80-06-040
15	1/2" Female connector	1	80-06-033	80-06-033	80-06-033

REPLACEMENT PARTS

For replacement parts, call our Technical Service Department at 1-877-447-4768, 8:30 a.m. –4:30 p.m., CST, Monday – Friday.



ITEM No.	DESCRIPTION	QTY	VL-AA18D VL-NO18D	PART NO. VL-AA24D VL-NO24D	VL-AA30D VL-NO30D
1	Log Set (Complete)	1	80-06-047	80-06-048	80-06-049
1-1	Log 1	1	H-0519	H-0523	H-0531
1-2	Log 2	1	H-0532	H-0524	H-0524
1-3	Log 3	1	H-0520	H-0525	H-0502
1-4	Log 4	1	H-0522	H-0537	H-0537
1-5	Log 5	1	H-0456	H-0527	H-0527
1-6	Log 6	1	H-0362	H-0528	H-0528
1-7	Log 7	1	H-0537	H-0362	H-0362
6	Shut-Off Valve	1	80-06-30	80-06-30	80-06-30
7	Damper Clamp	1	80-06-031	80-06-031	80-06-031
8	12" Flex Line	1	80-06-032	80-06-032	80-06-032
9	3/8" Flare x 1/2" MIP Connector	1	80-05-104	80-05-104	80-05-104
10	3/8" orifice fitting (NG)	1	80-06-034	80-06-034	80-06-034
11	Log Riser	2	80-06-035	80-06-035	80-06-035
12	Cover Plate	1	80-06-036	80-06-036	80-06-036
13	Burner tube Clamp	1	80-06-037	80-06-037	80-06-037
14	Burner tube	1	80-06-038	80-06-039	80-06-040
15	1/2" Female connector	1	80-06-033	80-06-033	80-06-033

Warranty

LIMITED WARRANTY:

This limited warranty is extended to the original retail purchaser of this heater and warrants against any defect in materials and workmanship for a period of two (2) years from the date of retail sale. GHP Group, Inc., at its option, will either provide replacement parts or replace or repair the unit, when properly returned to the retailer where purchased or one of our service centers as directed by GHP Group, Inc., within two (2) years of retail purchase. (Shipping costs, labor costs, etc. are the responsibility of the purchaser.)

DUTIES OF THE OWNER:

This heating appliance must be operated in accordance with the written instructions furnished with this heater. This warranty shall not excuse the owner from properly maintaining this heater in accordance with the written instructions furnished with this heater. A bill of sale, canceled check or payment record must be kept to verify purchase date and establish warranty period. Original carton should be kept in case of warranty return of unit.

WHAT IS NOT COVERED:

1. Damage resulting from use of improper fuel.
2. Damage caused by misuse or use contrary to the owners manual and safety guidelines.
3. Damage caused by a lack of normal maintenance.
4. Use of non-standard parts or accessories.
5. Damage caused in transit. Freight charges on warranty parts or heaters to and from the factory shall be the responsibility of the owner.

This warranty does not imply or assume any responsibility for consequential damages that may result from the use, misuse, or the lack of routine maintenance of this heating appliance. A cleaning fee and the cost of parts may be charged for appliance failures resulting from lack of maintenance. This warranty does not cover claims which do not involve defective workmanship or materials. **FAILURE TO PERFORM GENERAL MAINTENANCE (INCLUDING CLEANING) WILL VOID THIS WARRANTY.**

THIS LIMITED WARRANTY IS GIVEN TO THE PURCHASER IN LIEU OF ALL OTHER WARRANTIES, EXPRESSED OR IMPLIED, INCLUDING BUT NOT LIMITED TO THE WARRANTIES OF MERCHANTABILITY OF FITNESS FOR A PARTICULAR PURPOSE. THE REMEDY PROVIDED IN THIS WARRANTY IS EXCLUSIVE AND IS GRANTED IN LIEU OF ALL OTHER REMEDIES. IN NO EVENT WILL GHP GROUP, INC. BE LIABLE FOR INCIDENTAL OR CONSEQUENTIAL DAMAGES.

Some states do not allow limitations on how long an implied warranty lasts, so the above limitation may not apply to you. Some states do not allow the exclusion or limitation of incidental or consequential damages so the above limitation or exclusion may not apply to you.

CLAIMS HANDLED AS FOLLOWS:

1. Contact your retailer and explain the problem.
2. If the retailer is unable to resolve the problem, contact our Customer Service Dept, detailing the heater model, the problem, and proof of date of purchase.
3. A representative will contact you. DO NOT RETURN THE HEATER TO GHP GROUP, INC. unless instructed by our Representative. This warranty gives you specific legal rights and you may also have other rights which vary from state to state.

TO REGISTER THE WARRANTY ON YOUR HEATER, PLEASE FILL OUT THIS CARD COMPLETELY
AND MAIL WITHIN 14 DAYS FROM DATE OF PURCHASE OR REGISTER ON-LINE AT www.ghpgroupinc.com

NAME: _____ PHONE: () _____ EMAIL: _____
ADDRESS: _____ CITY: _____ STATE: _____ ZIP: _____
MODEL: _____ SERIAL #: _____ DATE PURCHASED: _____
DEALER PURCHASED FROM: _____ TYPE OF STORE: _____
CITY & STATE WHERE PURCHASED: _____ PRICE PAID: _____

Please Take a Minute To Give Us Your Answers To The Following Questions.

All Responses Are Used Solely For Market Research And Are Held In Strict Confidence.

Who primarily decided this purchase? Male Female 18-24 25-39 40-59 60 and over
Purpose of Purchase? _____
Do you own any other portable heaters? Yes No If yes, type _____ brand _____
How do you intend to use your new heater? Construction Site Farm Warehouse/Commercial Garage/Outbuilding Other
How did you become aware of this heater? In-Store Display Newspaper Ad Magazine Ad Friend/Relative
 TV Commercial Store Salesperson Other _____
What made you select this heater? Style Size/Portability Price Package Brand Other _____
Do you: own rent Would you recommend this heater to a friend? Yes No
Please give us your comments: _____

THANK YOU FOR COMPLETING THIS FORM!

Information will be held confidential.

WARRANTY REGISTRATION

IMPORTANT: We urge you to fill out your warranty registration card within fourteen (14) days of date of purchase. You can also register your warranty on the internet at www.ghpgroupinc.com. Complete the entire serial number. Retain this portion of the card for your records.



GHP Group, Inc.
6440 W Howard St
Niles, IL 60714-3302

Tel: (877) 447-4768
www.ghpgroupinc.com

SAVE THIS CARD!

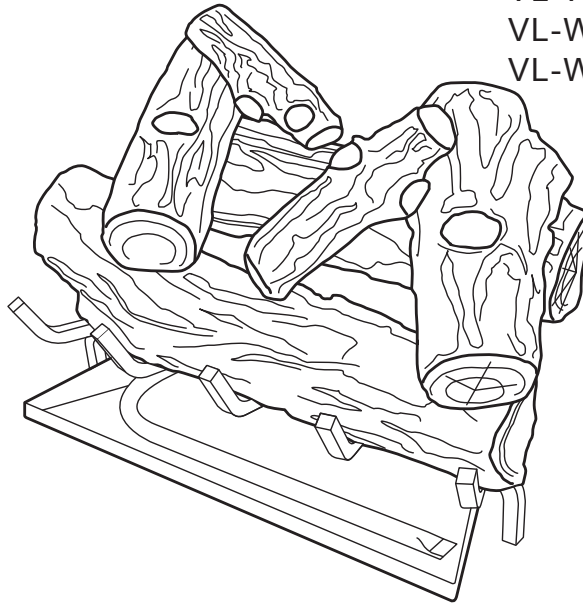
Place
Postage
Stamp
Here

GHP Group, Inc.
6440 W Howard St
Niles, IL 60714-3302

VENTILACIÓN NATURAL LEÑOS A GAS

NÚM. DE MODELO

VL-WO18D VL-AA18D VL-NO18D
 VL-WO24D VL-AA24D VL-NO24D
 VL-WO30D VL-AA30D VL-NO30D




0418GF006S

Cumple con la norma ANSI Z21.84-2012, Standard de forma manual con luz, Gas Natural decorativo Aparatos de gas para la instalación en De combustible sólido La quema chimeneas.

Cumple con la norma ANSI Z21.60-2012, Standard para aparatos de gas decorativos para la instalación en de combustible sólido chimeneas cuando está instalado el kit de conversión LP (SPK100) por un técnico cualificado.

PRECAUCIÓN- PARA SU SEGURIDAD

 **ADVERTENCIA: SI NO SE SIGUE CON EXACTITUD LA INFORMACIÓN EN ESTE MANUAL, PUEDE RESULTAR UN INCENDIO O EXPLOSIÓN OCASIONANDO DAÑOS A LA PROPIEDAD, LESIONES PERSONALES O LA MUERTE.**

- No almacene ni use gasolina ni otros vapores y líquidos inflamables en la vecindad de este o cualquier otro aparato.
- QUÉ HACER SI HUELE GAS
 - No trate de encender ningún aparato.
 - No toque ningún interruptor eléctrico; no use ningún teléfono en su edificio.
 - Llame de inmediato a su proveedor de gas del teléfono de un vecino. Siga las instrucciones del proveedor de gas.
 - Si no puede contactar a su proveedor de gas, llame al Cuerpo de Bomberos
- La instalación y el servicio deben ser hechos por un instalador calificado, agencia de servicio o el proveedor de gas.

Este es un aparato accionado por gas. Utiliza aire (oxígeno) de la habitación en la cual está instalado. Deben tomarse medidas para una combustión y aire de ventilación adecuados. Consulte la sección Aire para la combustión y ventilación de la página 7 de este manual.

**INSTALADOR: Deje este manual con el aparato.
 CONSUMIDOR: Conserve este manual para uso futuro.**

Este aparato es convertible para uso con gas propano/PL mediante el uso de la VÁLVULA MANUAL ON/OFF/ JUEGO DE PILOTO DE SEGURIDAD (vea ACCESORIOS en la página 18).



¿Tiene preguntas, problemas o faltan piezas? Antes de regresar a su tienda minorista, llame a nuestro departamento de servicio al cliente al 1-877-447-4768, de lunes a viernes de 8:30 a.m. a 4:30 p.m. hora estándar del Centro, o escríbanos a customerservice@ghpgroupinc.com.

80-10-232 - 2015-11-16

TABLA DE CONTENIDO

Especificaciones.....	2
Información de seguridad importante.....	3
Identificación del producto.....	5
Características del producto.....	6
Desempaque.....	6
Preparación para la instalación.....	7
Instalación.....	8
Instalación.....	8
Montaje de leños.....	12
Funcionamiento.....	15
Cuidado y mantenimiento.....	17
Accesorios.....	18
Resolución de fallas.....	19
Piezas de repuesto.....	21
Garantía.....	23

ESPECIFICACIONES

Nota: Este aparato ventilado se debe instalar únicamente en una chimenea para quemar combustible sólido con un conducto en funcionamiento construido de material no combustible.

Las tablas indican información técnica relacionada con la instalación de su conjunto de leños a gas.

Asegúrese de que todas las especificaciones mostradas sean aplicables antes de que intente la instalación.

La chimenea debe incluir un conducto en funcionamiento y un sistema de ventilación con las aberturas mínimas mostradas a continuación.

ARTÍCULO	VL-WO18D VL-AA18D VL-NO18D	VL-WO24D VL-AA24D VL-NO24D	VL-WO30D VL-AA30D VLNO30D
Capacidad nominal de entrada	45,000 BTU/Hr	55,000 BTU/Hr	65,000 BTU/Hr
Tipo de gas	GN	GN	GN
Tipo de ignición	Encendedor piezoeléctrico	Encendedor piezoeléctrico	Encendedor piezoeléctrico
Máx. Presión de entrada	7 pulg. de columna de agua	7 pulg. de columna de agua	7 pulg. de columna de agua
Mín. Presión de entrada	5.5 pulg. de columna de agua	5.5 pulg. de columna de agua	5.5 pulg. de columna de agua
Presión normal	10 pulg. de columna de agua	10 pulg. de columna de agua	10 pulg. de columna de agua
(Para fines de ajuste de entrada)			
Abertura mínima de respiradero	8 pulg. de diámetro	8 pulg. de diámetro	8 pulg. de diámetro

Tamaño del leño	Tamaño mínimo de la caja de fuego			
	Altura	Profundidad	Anchura frontal	Anchura trasera
18 pulg. Ventilado	19 pulg.	15 pulg.	24 pulg.*	20 pulg.
24 pulg. Ventilado	19 pulg.	15 pulg.	30 pulg.*	26 pulg.
30 pulg. Ventilado	20 pulg.	15 pulg.	36 pulg.*	32 pulg.

*Importante: Si se agrega un juego de piloto de seguridad de conversión a propano líquido, se necesita agregar 8 pulg. a la dimensión de la anchura del frente.



INFORMACIÓN DE SEGURIDAD

IMPORTANTE: Por favor, lea cuidadosa y completamente este manual del propietario antes de intentar ensamblar, operar o darle servicio a este conjunto de leños. El uso inapropiado de este conjunto de leños puede causar lesiones graves o la muerte por quemaduras, incendio, explosión, choque eléctrico y envenenamiento por monóxido de carbono.

Solamente un instalador calificado, un agente de servicio o el proveedor local de gas puede instalar y darle servicio a este producto.



ADVERTENCIA: No almacene ni use gasolina ni otros vapores o líquidos inflamables en la vecindad de este o cualquier otro aparato.



ADVERTENCIA: El conjunto de leños es enviado de la fábrica ajustado para uso con gas natural únicamente. El propano líquido solo se puede usar después de la instalación del Juego de piloto de seguridad de conversión a propano líquido.

PELIGRO DE ENVENENAMIENTO CON MONÓXIDO DE CARBONO: Las señales tempranas de envenenamiento con monóxido de carbono se parecen a la gripe con dolores de cabeza, mareos o náusea. Si tiene estas señales, el conjunto de leños puede no estar funcionando adecuadamente. ¡Respire aire fresco de inmediato! Haga que se le dé servicio al conjunto de leños. Algunas personas resultan más afectadas que otras por el monóxido de carbono. Estas incluyen mujeres embarazadas, personas con enfermedades del corazón o pulmones, personas anémicas, personas bajo la influencia del alcohol y las que viven a grandes altitudes.

GAS NATURAL Y PROPANO/PL: El gas natural y el propano/PL son inodoros. Un agente generador de olor se agrega al gas. El agente ayuda a detectar una fuga de gas. Sin embargo, el olor agregado al gas puede desaparecer. El gas puede estar presente a pesar de que no se sienta olor. Asegúrese de leer y comprender todas las advertencias. Conserve este manual para referencia. Es su guía para operar este conjunto de leños de forma segura.



ADVERTENCIA:

- Debido a las altas temperaturas, ubique este aparato fuera del tráfico y lejos de muebles y cortinajes.
- El conjunto de leños se calienta mucho cuando está en funcionamiento. Mantenga a los niños y adultos lejos de las superficies calientes para evitar quemaduras o ignición de la ropa. El conjunto de leños permanecerá caliente durante un tiempo después de apagarse. Deje que las superficies enfrien antes de tocarlas.
- Supervise cuidadosamente a niños pequeños cuando estén en la habitación con el conjunto de leños.
- No coloque ropa ni otro material inflamable en o cerca del aparato. Nunca coloque ningún objeto en el conjunto de leños.
- La instalación y reparación serán hechos solamente por una persona de servicio calificada. El dispositivo debe ser inspeccionado antes de su uso al menos una vez al año por una persona de servicio profesional. Es posible que se necesite limpieza más frecuente debido a pelusa excesiva de alfombras, ropa de cama, etc. Es imperativo que los compartimientos de control, los quemadores y los pasillos de aire circulante del aparato se mantengan limpios.
- Cualquier cambio a este conjunto de leños o a sus controles puede ser peligroso.
- **NO OPERE ESTE CONJUNTO DE LEÑOS A GAS CON LAS PUERTAS DE VIDRIO CERRADAS.**
- No use ningún accesorio no aprobado para uso con este conjunto de leños.
- Mantenga el área del aparato despejada y libre de materiales combustibles, gasolina y otros vapores y líquidos inflamables.

PROPUESTA 65 DE CALIFORNIA

Los combustibles usados en aparatos accionados por gas u aceite y los productos de combustión de tales combustibles contienen sustancias químicas que el Estado de California sabe producen cáncer o defectos de nacimiento u otros daños reproductivos. Este producto contiene sustancias químicas, incluyendo plomo y compuestos de plomo, que el Estado de California sabe producen cáncer o defectos de nacimiento u otros daños reproductivos. **Lávese las manos después de manipularlo.**



INFORMACIÓN DE SEGURIDAD

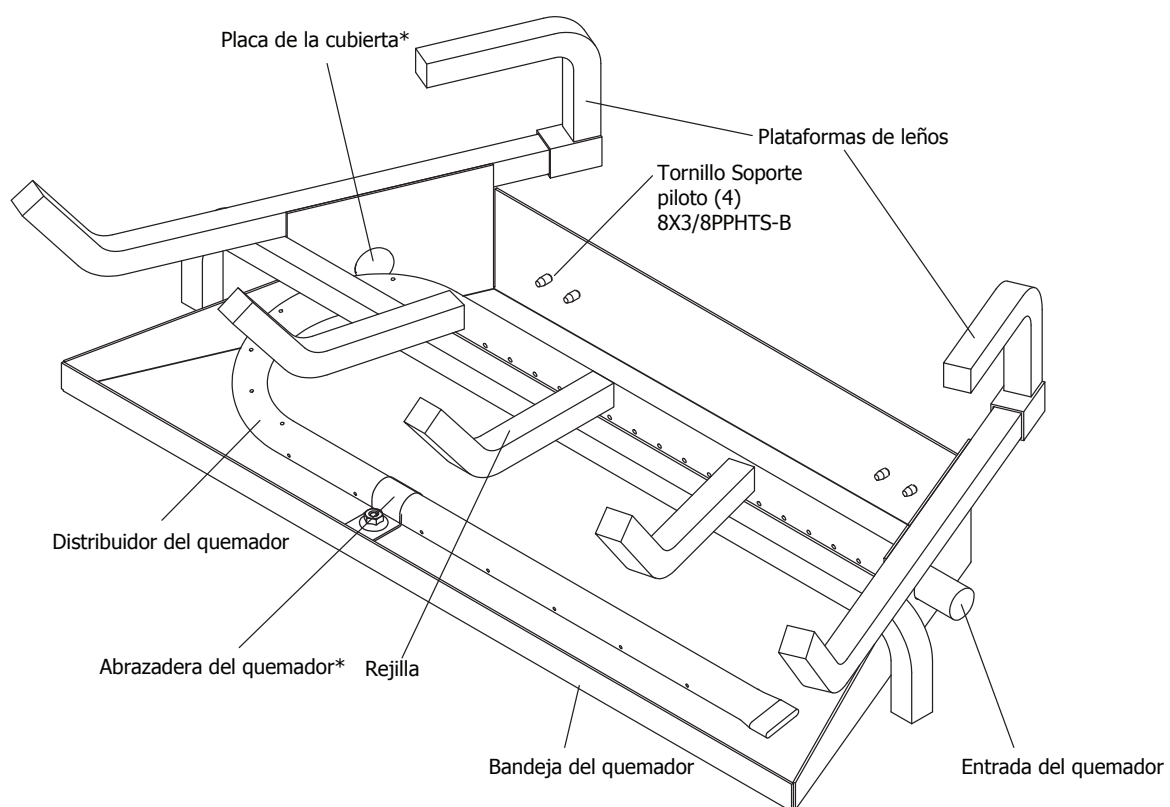
1. Este aparato es solo para ser usado con el tipo de gas indicado en la placa de características.
2. No coloque el(los) tanque(s) de suministro de propano/PL dentro de ninguna estructura. Coloque el(los) tanque(s) de suministro de propano/PL en exteriores.
3. Si huele a gas
 - apague el suministro de gas
 - no trate de encender ningún aparato
 - no toque ningún interruptor eléctrico; no use ningún teléfono en su edificio
 - llame de inmediato a su proveedor de gas del teléfono de un vecino. Siga las instrucciones del proveedor de gas.
 - si no puede contactar a su proveedor de gas, llame al Cuerpo de Bomberos
4. Este conjunto de leños no debe instalarse en una habitación o baño.
5. No use este conjunto de leños como un conjunto de leños para quemar madera. Use solamente los leños proporcionados con el conjunto de leños.
6. No agregue leños extra ni ornamentos como conos de pino, vermiculita o lana de roca. El uso de estos artículos agregados puede producir hollín.
7. Este conjunto de leños está diseñado para no producir humo. Si parece ser que los leños producen humo, apague el conjunto de leños y llame a una persona de servicio calificada. Nota: Durante la operación inicial, podría producirse poco humo debido al curado de los leños y al quemado de residuos de fabricación del conjunto de leños.
8. Para evitar la creación de hollín, siga las instrucciones de Limpieza y mantenimiento, páginas 17-18.
9. Antes de usar pulidor de mueble, cera, limpiador de alfombra o productos similares, apague el conjunto de leños. Si se calienta, los vapores de estos productos pueden crear un residuo de polvo blanco dentro de la caja del quemador o en paredes adyacentes o muebles.
10. Este conjunto de leños necesita ventilación de aire fresco para que funcione apropiadamente.
11. No ponga a funcionar el conjunto de leños
 - donde se almacenen o usen líquidos o vapores inflamables.
 - bajo condiciones de mucho polvo.
12. No use este conjunto de leños para cocinar alimentos ni quemar papel u otros objetos.
13. Nunca coloque ningún objeto en la chimenea o en los leños.
14. No use este conjunto de leños si alguna pieza ha estado bajo el agua. Llame de inmediato a un técnico de servicio calificado para inspeccionar el conjunto de leños y reemplazar cualquier pieza del sistema de control y cualquier control del gas que haya estado bajo el agua.
15. Apague y desconecte el conjunto de leños y deje que se enfríe antes de darle servicio. Solo una persona de servicio calificado debe darle servicio y reparar el conjunto de leños.

AGENCIA DE INSTALACIÓN CALIFICADA

Solamente una agencia calificada debe instalar y reemplazar la tubería de gas, el equipo de utilización de gas o accesorios, y reparar y darle mantenimiento al equipo. El término "agencia calificada" significa una firma, corporación o empresa individual que, ya sea en persona o a través de un representante, participa en y es responsable de:

- a) Instalar, probar o reemplazar tubería de gas, o
- b) Conectar, instalar, probar, reparar o darle mantenimiento a equipo; que tenga experiencia en tal trabajo; que esté familiarizado con todas las precauciones requeridas; y que haya cumplido con todos los requisitos de la autoridad que tiene jurisdicción.

IDENTIFICACIÓN DEL PRODUCTO



*Usos (4) 8X3/8PPHTS-B Tornillos

CARACTERÍSTICAS DEL PRODUCTO

El Estado de Massachusetts exige que el regulador de tiro del conducto de la chimenea, cuando se usa con conjuntos de leños a gas decorativos, esté soldado abierto o se retire por completo. En el Estado de Massachusetts, este aparato debe ser instalado por un fontanero o instalador de gas certificado.

En el Estado de Massachusetts la válvula de cierre del gas debe ser del tipo mango en T. El Estado de Massachusetts exige que un conector flexible de dispositivo no exceda de tres pies de longitud.

CÓDIGOS LOCALES

Instale y use el conjunto de leños con cuidado. Siga todos los códigos. En ausencia de códigos locales, use la versión más reciente del Código Nacional de Gas Combustible, ANSI Z223.1, también conocido como NFPA 54*.

*Disponible en:

American National Standard Institute, Inc.
1430 Broadway
New York, NY 10018

National Fire Protection Association, Inc.
1 Batterymarch Park
Quincy, MA 02269-9101

DESEMPAQUE

⚠ PRECAUCIÓN: No retire las placas metálicas de datos instaladas en la bandeja del quemador. Las placas de datos contienen información importante del producto.

1. Retire los leños, los materiales de la bandeja y el herraje de la caja.
2. Retire todo el empaque protector aplicado a los leños y la base para envío.
3. Revise todos los artículos en busca de daños de envío. Si encuentra daños, informe de inmediato a GHP Group, Inc. llamando al 1-877-447-4768.

Fig. 1

Para construcción de mampostería
Abertura libre de hogueras
Área del regulador de tiro
de la chimenea

	Tamaño del conjunto de leños		
	18 pulg.	24 pulg.	30 pulg.
Altura de la chimenea* (ft)	Abertura mínima** (pulgadas cuadradas)		
6	41,7	49,2	56,6
8	38,7	45,5	52,4
10	35,2	41,7	48,2
15	32,0	37,7	43,2
20	28,8	34,3	39,8
30	26,5	31,2	35,9

* La altura es desde el hogar hasta la parte superior de la chimenea y la altura mínima es de 6 pies.

** La gráfica muestra la abertura mínima (pulgadas cuadradas) para una altura y tasa de entrada dadas.

Para construcción de fábrica
Abertura libre de hogueras
Área del regulador de tiro
de la chimenea

	Tamaño del conjunto de leños		
	18 pulg.	24 pulg.	30 pulg.
Altura de la chimenea* (ft)	Abertura mínima** (pulgadas cuadradas)		
10	28,3	35,3	44,2
15	21,2	26,4	32,2
20	18,1	22,1	26,4
25	15,9	18,1	22,1
30	14,5	17,3	20,4
35	13,2	15,9	18,9
40	12,6	15,2	18,1

* La altura es desde el hogar hasta la parte superior de la chimenea y la altura mínima es de 10 pies.

** La gráfica muestra la abertura mínima (pulgadas cuadradas) para una altura y tasa de entrada dadas.

PREPARACIÓN PARA LA INSTALACIÓN

AIRE PARA LA COMBUSTIÓN Y VENTILACIÓN

⚠ ADVERTENCIA: Si el área en la cual el conjunto de leños puede ser operado no cumple con el volumen requerido para aire de combustión de interiores, el aire de combustión y ventilación será proporcionado por uno de los métodos descritos en el National Fuel Gas Code, ANSI Z223.1/NFPA 54, el International Fuel Gas Code, o los códigos locales aplicables.

Las casas de hoy están construidas para que ahorren energía como nunca antes. Los nuevos materiales, el mejor aislamiento, y los nuevos métodos de construcción ayudan a reducir las pérdidas de calor en las casas. Los propietarios de casas colocan cinta o masilla alrededor de las ventanas y puertas para evitar que entre aire frío y que salga el aire caliente. Durante los meses de calefacción, los propietarios de casas quieren que sus casas sean lo más herméticas posible.

A pesar de que es bueno hacer que su casa ahorre energía, su casa necesita respirar. El aire fresco debe ingresar a su casa. Todos los aparatos que queman combustible necesitan aire fresco para una combustión y ventilación apropiadas.

Los ventiladores de escape, chimeneas, secadoras de ropa y aparatos que queman combustible extraen aire de la casa para funcionar. Usted debe proveer aire fresco adecuado para estos aparatos. Esto garantizará una ventilación adecuada de los aparatos ventilados que queman combustible.

⚠ ADVERTENCIA: Antes de instalar en una chimenea para quemar combustible sólido, un limpiador de chimenea calificado debe limpiar el conducto de la chimenea y la caja de fuego de hollín, creosota, cenizas y pintura floja. La creosota encenderá si se calienta demasiado. Un conducto de chimenea sucio puede crear y distribuir hollín dentro de la casa. Inspeccione el conducto de la chimenea en busca de daños.

AVISO: La instalación, servicio y reparación de este aparato deben ser hechos por un instalador calificado, una agencia de servicio, una empresa o proveedor de gas con experiencia en este tipo de aparato a gas. Solo componentes autorizados por la fábrica enumerados en estas instrucciones se pueden usar de acuerdo a las instrucciones del fabricante y todos los códigos y requerimientos de la autoridad con jurisdicción. Cualquier modificación a este juego, o uso de componentes no autorizados, o accesorios, anulará la garantía del fabricante y podría resultar en una condición peligrosa.

⚠ PRECAUCIÓN: No retire las placas metálicas de datos instaladas en la bandeja del quemador. Las placas de datos contienen información importante de la garantía.

INSTALACIÓN

COMPRUEBE EL TIPO DE GAS

Use solo gas natural. Si su suministro de gas no es de gas natural, debe instalar el piloto de seguridad On/Off. Juego de válvulas (consulte Accesorios, página 18).
Si la chimenea no tiene una válvula de cierre de gas, se debe instalar una.

ESPECIFICACIONES DE VENTILACIÓN PARA LA INSTALACIÓN

El conducto de la chimenea y el respiradero deben estar ventilando adecuadamente. Para comprobar la ventilación adecuada del respiradero, encienda papel periódico enrollado en un extremo y colóquelo en el borde frontal interior de la chimenea. Observe el humo y asegúrese de que el respiradero lo esté extrayendo adecuadamente por la chimenea. Si el humo se esparce a la habitación, extinga la llama y retire cualquier obstrucción hasta lograr una ventilación adecuada. El conducto de la chimenea debe permanecer abierto un mínimo de 3 plg. en todo momento durante la operación de este conjunto de leños. Cualquier regulador de tiro de la chimenea debe fijarse de tan manera que mantendrá la abertura mínima del respiradero permanente en todo momento. Se recomienda fuertemente instalar una abrazadera del regulador de tiro (vea la página siguiente) para evitar que el regulador de tiro se cierre accidentalmente.

La abertura libre permanente mínima (en pulgadas cuadradas) que debe proporcionar la chimenea o el regulador de tiro de la chimenea para ventilar los gases de salida. El área mínima del respiradero será determinada por el fabricante de acuerdo con las especificaciones de ventilación página 6, Fig. 1 para cada una de las alturas indicadas de la chimenea. (De acuerdo a 1.15.7.; ANSI 1.14.1B)

INSTALACIÓN

PREPARACIÓN DEL REGULADOR DE TIRO

El regulador de tiro de la chimenea debe fijarse abierto de tal manera que mantendrá la abertura mínima del respiradero permanente en todo momento. Esto se puede lograr instalando un tornillo o perno en el borde del regulador de tiro para evitar que éste se cierre, perforando un agujero o agujeros en el aspa del regulador de tiro o instalando la abrazadera del regulador de tiro proporcionada en el borde del aspa del regulador de tiro (vea la Figura 2).

NOTA: El Estado de Massachusetts exige que el regulador de tiro de la chimenea sea retirado o soldado en la posición completamente abierto.

ENSAMBLAJE DEL JUEGO DE LA CHIMENEA

Nota: Las siguientes instrucciones aplican a quemadores estilo «U» de llama doble. Asegúrese de que todas las conexiones de tubería roscada estén herméticas, y tengan compuesto de rosca para evitar fugas.

1. Determine el lado de la línea de gas que estará viniendo a la chimenea.

La línea de gas está en el lado derecho. Esta unidad está fabricada con la entrada de gas en el lado derecho de la bandeja del quemador. Vea Instalación y conexión del gas, página 9.

La línea de gas está en el lado izquierdo. Si su línea de gas vendrá a la chimenea del lado izquierdo, continúe con el paso 2.

2. Usando un destornillador, retire la placa de cubierta cel del lado izquierdo de la bandeja del quemador (vea la Figura 3).

3. Desatornille el acoplamiento de entrada del quemador del distribuidor del quemador (vea la Figura 3).

4. Coloque el distribuidor del quemador en la bandeja con la abertura roscada orientada hacia la abertura en el lado izquierdo.

5. Usando sellador de rosca (resistente a la acción del gas natural) en el extremo más grande del acoplamiento, atornille el acoplamiento de entrada del quemador a través del agujero

y en el distribuidor del quemador. Apriete usando una llave (vea la Figura 4).

6. Usando la abrazadera del quemador, el tornillo y la tuerca proporcionados, ensamble la abrazadera a la bandeja. Esto sostendrá en su lugar el distribuidor del quemador (vea la Figura 4).

7. Usando los tornillos retirados en el paso 2, instale la placa de cubierta sobre la abertura en el lado derecho de la bandeja del quemador (vea la Figura 4).

Fig. 2

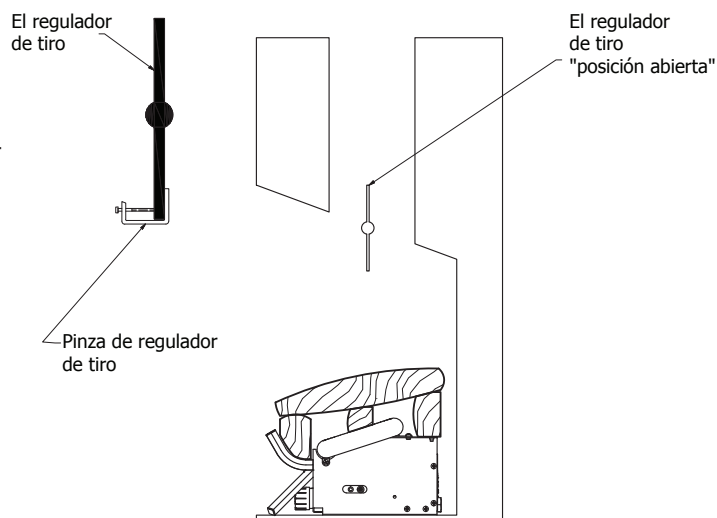


Fig. 3

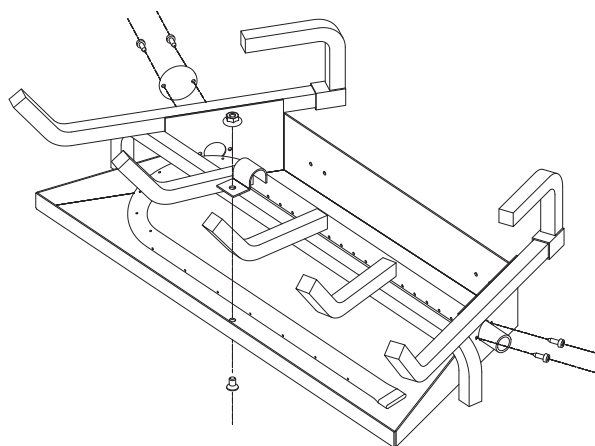
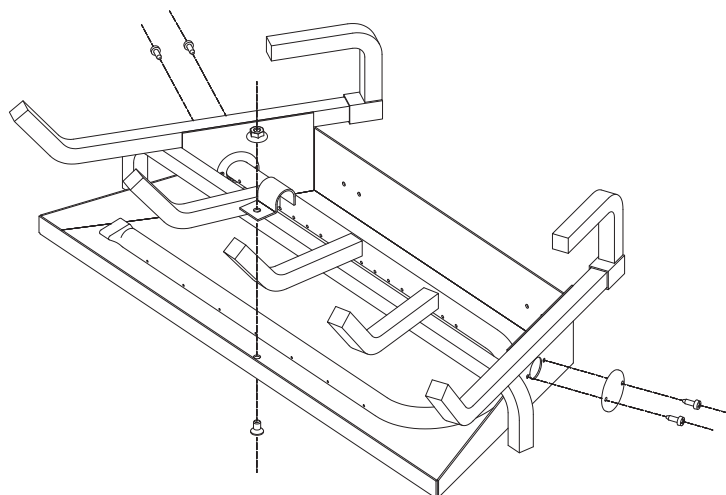


Fig. 4



INSTALACIÓN

En cumplimiento de ANSI Z21.60•CGA2.26 y National Fuel Gas Code, Sección 6.

ANTES DE INSTALAR EL APARATO

- Cierre el suministro de gas a la chimenea o a la caja de fuego.
- Limpie el piso de la chimenea y la chimenea antes de instalar el conjunto de leños. Selle cualquier ceniza. Limpie las puertas para proteger la unidad de corrientes descendentes.

⚠ ADVERTENCIA: Antes de instalar este aparato, haga que un profesional limpie la hoguera y la chimenea para eliminar las cenizas, el hollín, la creosota u otras obstrucciones. Haga esta limpieza anualmente después de la instalación.

Instalación y conexión del gas (vea la Figura 5).

1. Coloque el ensamblaje de la bandeja del quemador en el centro de la hoguera. Asegúrese de que el frente de la bandeja esté orientada hacia adelante.
- 2a. Enrosque la válvula de cierre con llave en el tubo del suministro de gas del hogar. Utilice sellador de roscas.
- 2b. Si ya está instalada una válvula de cierre con llave, enrosque 1/2" conector hembra en el tubo del suministro de gas del hogar. Utilice sellador de roscas.
3. Enrosque el accesorio adaptador en la válvula de cierre con llave (o 1/2" conector hembra)
4. Instale 3/8" montaje de orificio sobre el acoplamiento de entrada del quemador usando sellador de rosca en las roscas macho del acoplamiento de entrada del quemador.
5. Instale el flexible conector del gas en el acoplamiento de suministro de gas. Con cuidado, dele forma al tubo para instalarlo en el montaje de orificio.

CONEXIÓN AL SUMINISTRO DE GAS

⚠ ADVERTENCIA: Un técnico de servicio calificado debe conectar el conjunto de leños al suministro de gas. Siga todos los códigos locales.

Artículos de instalación requeridos

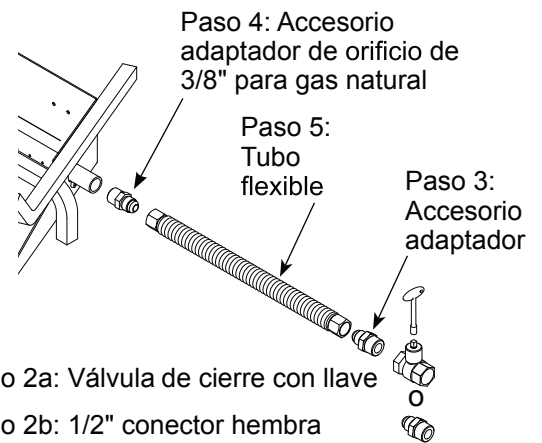
Antes de instalar el conjunto de leños, asegúrese de tener los artículos enumerados a continuación.

- tubería (revise todos los códigos locales)
- sellador (resistente al gas natural)
- válvula de cierre del equipo
- conexión de calibrador de prueba
- llave ajustable (de media luna) o tenazas
- trampa de sedimentos
- junta T
- llave de tubería

⚠ PRECAUCIÓN: Use solamente tubo nuevo de hierro negro o acero. Se puede usar tubería de cobre internamente estañado en ciertas áreas. Revise sus códigos locales. Use tubo de 1/2 pulg. de diámetro o mayor para permitir que llegue un volumen de gas adecuado al conjunto de leños. Si el tubo es demasiado pequeño, ocurrirá pérdida de presión.

La instalación debe incluir una válvula de cierre del equipo, unión, y toma NPT de 1/8 pulg. obturada. Ubique la toma NPT de modo que sea de fácil acceso para conectar el calibrador de prueba. La toma NPT debe estar corriente arriba del conjunto de leños (vea la Figura 6).

Fig. 5

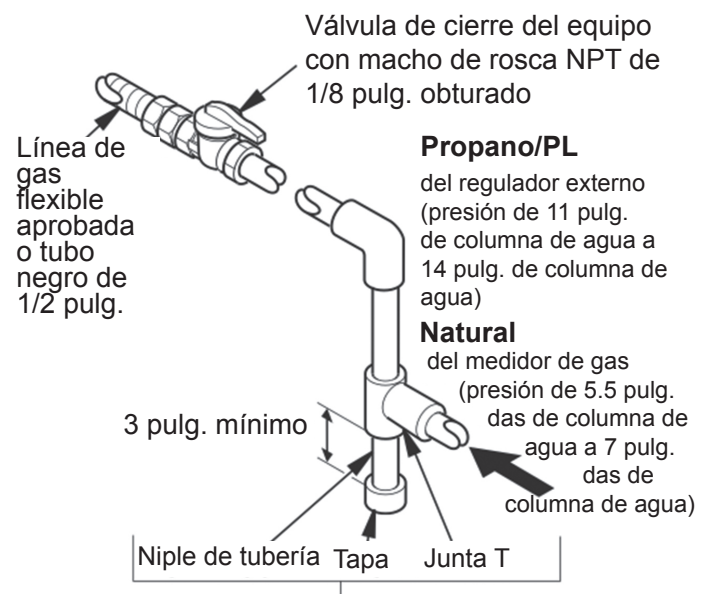


IMPORTANTE: Instale la válvula de cierre del equipo en un lugar accesible. La válvula de cierre del equipo es usada para abrir y cerrar el gas al aparato.

Aplique ligeramente sellador de juntas de tubo en las roscas macho. Esto evitará que el exceso de sellador se vaya al tubo. El sellador en exceso en el tubo resultará en un inyector del quemador obstruido.

Instale una trampa de sedimentos en la línea de suministro como se muestra en la Figura 6. Ubique la trampa de sedimentos donde esté al alcance para limpieza. Ubique la trampa de sedimentos donde no exista la probabilidad de que el material atrapado se congele. Una trampa de sedimentos atrapa la humedad y contaminantes. Esto evita que se vayan a los controles del conjunto de leños. Si la trampa de sedimentos no se instala o se instala incorrectamente, el conjunto de leños podría no funcionar adecuadamente.

Fig. 6



INSTALACIÓN

REVISIÓN DE LAS CONEXIONES DE GAS

⚠ ADVERTENCIA: Pruebe toda la tubería y conexiones de gas en busca de fugas después de la instalación y el servicio. Corrija todas las fugas de inmediato.

⚠ ADVERTENCIA: Nunca use una llama abierta para revisar en busca de fugas. Aplique una mezcla de jabón líquido y agua en todas las juntas. Si se forman burbujas, puede haber una fuga. Corrija todas las fugas de inmediato.

Prueba de presión del sistema de tuberías del suministro de gas Presiones de prueba mayores de 1/2 PSIG (3,5kPa)

1. Desconecte el conjunto de leños con su válvula de gas principal del aparato (válvula de control) y la válvula de cierre del equipo del sistema de tuberías del suministro de gas. Las presiones mayores de 1/2 PSIG dañarán el regulador del conjunto de leños.
2. Quite la tapa del extremo abierto del tubo de gas donde se conectó la válvula de cierre del equipo.
3. Presurice el sistema de tubería de suministro usando aire comprimido o abriendo la válvula del tanque de suministro de gas.
4. Revise todas las juntas del sistema de tuberías del suministro de gas. Aplique una mezcla de jabón líquido y agua en las juntas de gas. Si se forman burbujas, puede haber una fuga.
5. Corrija todas las fugas de inmediato.
6. Conecte de nuevo el conjunto de leños y la válvula de cierre del equipo al suministro de gas. Revise los accesorios reconectados en busca de fugas.

Presiones de prueba iguales o menores de 1/2 PSIG (3,5 kPa)

1. Cierre la válvula de cierre del equipo (vea la Fig. 7).
2. Presurice el sistema de tubería de suministro usando aire comprimido o abriendo la válvula del tanque de suministro de gas.
3. Revise todas las juntas del medidor de gas a la válvula de cierre del equipo (vea las Figuras 8.1 y 8.2). Aplique una mezcla de jabón líquido y agua en las juntas de gas. Si se forman burbujas, puede haber una fuga.
4. Corrija todas las fugas de inmediato.

Prueba de presión de las conexiones de gas del conjunto de leños

1. Abra la válvula de cierre del equipo (vea Fig. 7).
2. Abra la válvula del tanque de suministro de gas.
3. Asegúrese de que la perilla de control del conjunto de leños esté en la posición OFF.
4. Revise todas las juntas de la válvula de cierre del equipo a la válvula de control.
(Vea Fig. 8.1 y 8.2). Aplique una mezcla de jabón líquido y agua en las juntas de gas. Si se forman burbujas, puede haber una fuga.
5. Encienda el conjunto de leños (vea Operación, página 16).
Revise todas las otras juntas internas en busca de fugas.
6. Apague el conjunto de leños (vea "Apagar el gas al aparato," página 16).

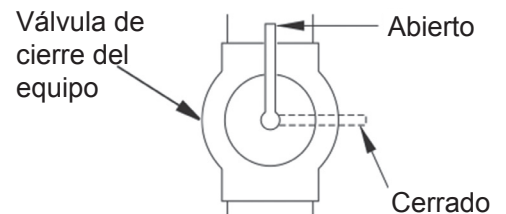


Fig. 7 - Válvula de cierre del equipo

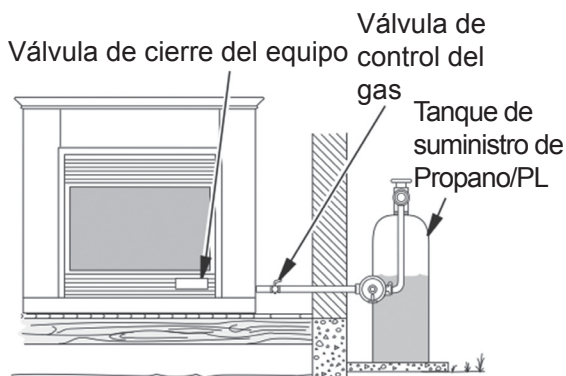


Fig. 8.1 - Revisión de las juntas de gas (Propano/PL solamente)

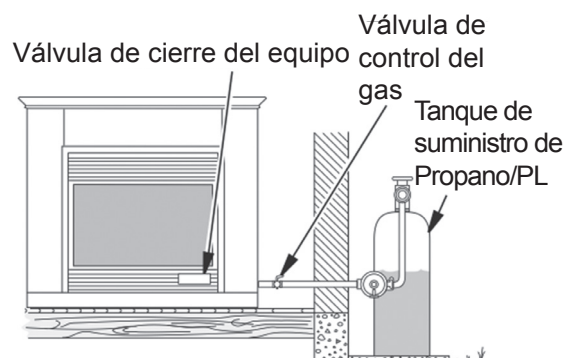


Fig. 8.2 - Revisión de las juntas de gas (Gas natural solamente)

CÓMO AGREGAR MATERIAL DE LA BANDEJA

⚠ ADVERTENCIA: Aplique el material flojo (brazas y roca de lava [cenizas]) conforme al manual de instrucciones. NO aplique material extra no suministrado con este aparato. Todo el material flojo aplicado previamente (brazas) debe retirarse antes de la reaplicación.

1. Abra las bolsas de material de la cama de ceniza (vermiculita) y dispérselo uniformemente a través de la bandeja del quemador hasta la parte superior. Está bien cubrir el herraje de conexión y la bandeja del quemador, pero NO cubra la válvula de gas.
2. Abra la bolsa de brazas incandescentes y ligeramente & uniformemente cubra la ollala vermiculita con 1/2" en trozos del tamaño fibra brasa. NO CUBRA EL PILOTO.
3. Coloque la roca de lava alrededor del ensamblaje del quemador. No coloque dentro del calentador o sobre troncos. Coloque la cantidad deseada de roca de la lava en el piso de la chimenea solamente.

MONTAJE DE LEÑOS

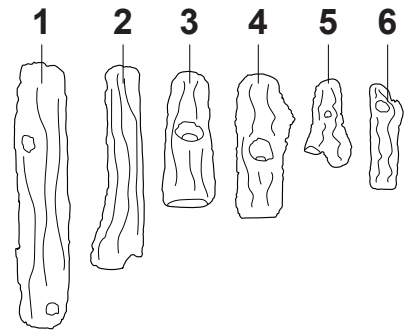
VL-WO18D/VL-WO24D/VL-WO30D

⚠️ ADVERTENCIA: No colocar las piezas de acuerdo con estos diagramas o no usar solamente piezas específicamente aprobadas con este conjunto de leños puede resultar en daños a la propiedad o lesiones personales. w

⚠️ PRECAUCIÓN: Después de la instalación y a partir de allí periódicamente, revise para asegurarse de que ninguna llama amarilla entre en contacto con los leños. Cuando el conjunto de leños se ajusta a Alto, revise para ver si las llamas amarillas entran en contacto con los leños. Si es así, reubique los leños de acuerdo a las instrucciones de instalación de los leños en este manual. Las llamas amarillas en contacto con los leños crearán hollín.

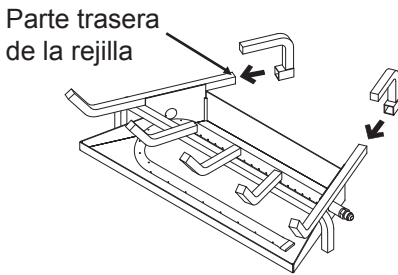
Es muy importante instalar los leños con exactitud según las instrucciones. No modifique los leños; use solo los leños proporcionados con el conjunto de leños. Cada leño está marcado con un número el cual le ayudará a identificar cada leño durante la instalación.

Leños proporcionados: 6



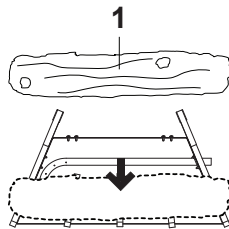
NOTA: Estas instrucciones de instalación de los leños son recomendadas para disminuir la cantidad de hollín al máximo.

Fig. 9 - Instalación de las plataformas



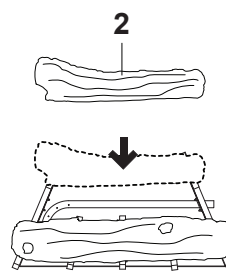
1. Después de que los accesorios opcionales estén instalados (vea página anterior), deslice ambas plataformas sobre la parte trasera de la rejilla. Asegúrese de que la parte trasera de la rejilla esté alineada con la parte trasera de la plataforma.

Fig. 10 - Instalación del leño Núm.1



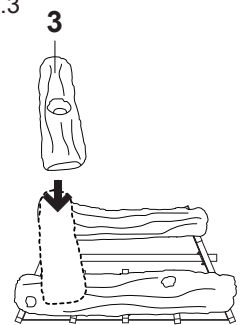
2. Coloque el leño Núm. 1 en la parte superior de la rejilla frontal y asegúrese de que esté centrado en la rejilla.

Fig. 11 - Instalación del leño Núm.2



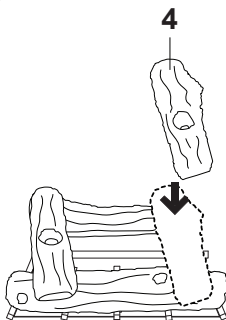
3. Con cuidado, coloque el leño Núm. 2 en la parte superior de las plataformas. Asegúrese de que el leño esté centrado en la parte superior de las plataformas.

Fig. 12 - Instalación del leño Núm.3



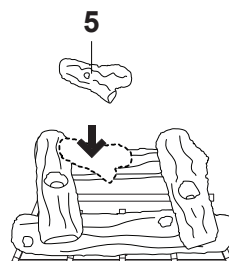
4. Coloque el leño Núm. 3 de modo que esté descansando en la parte superior izquierda de los leños Núm. 1 y Núm.2.

Fig. 13 - Instalación del leño Núm.4



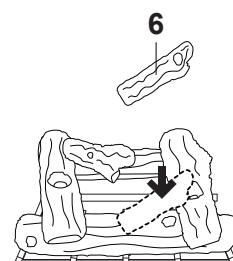
5. Coloque el leño Núm. 4 de modo que esté descansando en la parte superior derecha de los leños Núm. 1 y Núm. 2.

Fig. 14 - Instalación del leño Núm.5



6. Coloque el leño Núm. 5 de modo que esté descansando en los leños Núm. 3 y Núm. 2 únicamente.

Fig. 15 - Instalación del leño Núm.6



7. Coloque el leño Núm. 6 de modo que esté descansando en los leños Núm. 1 y Núm. 4.

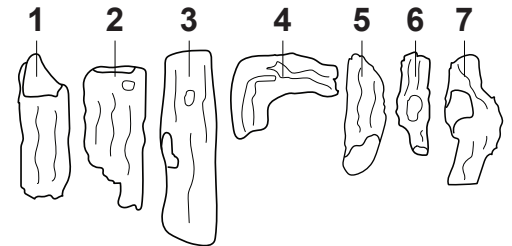
VL-AA18D/VL-NO18D

⚠ ADVERTENCIA: No colocar las piezas de acuerdo con estos diagramas o no usar solamente piezas específicamente aprobadas con este conjunto de leños puede resultar en daños a la propiedad o lesiones personales. w

⚠ PRECAUCIÓN: Después de la instalación y a partir de allí periódicamente, revise para asegurarse de que ninguna llama amarilla entre en contacto con los leños. Cuando el conjunto de leños se ajusta a Alto, revise para ver si las llamas amarillas entran en contacto con los leños. Si es así, reubique los leños de acuerdo a las instrucciones de instalación de los leños en este manual. Las llamas amarillas en contacto con los leños crearán hollín.

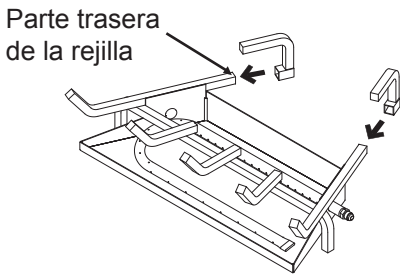
Leños proporcionados: 7

Es muy importante instalar los leños con exactitud según las instrucciones. No modifique los leños; use solo los leños proporcionados con el conjunto de leños. Cada leño está marcado con un número el cual le ayudará a identificar cada leño durante la instalación.



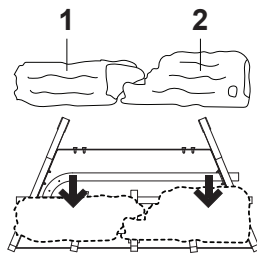
NOTA: Estas instrucciones de instalación de los leños son recomendadas para disminuir la cantidad de hollín al máximo.

Fig. 16 - Instalación de las plataformas



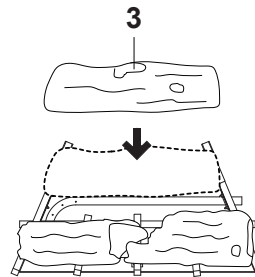
1. Después de que los accesorios opcionales estén instalados (vea página 11), deslice ambas plataformas sobre la parte trasera de la rejilla. Asegúrese de que la parte trasera de la rejilla esté alineada con la parte trasera de la plataforma.

Fig. 17 - Instalación del leño Núm.1 y Num.2.



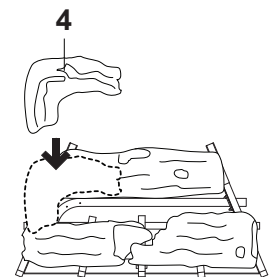
2. Coloque el leño Núm. 1 y Núm. 2 en la parte superior de la rejilla frontal y asegúrese de que la división entre los dos leños esté centrado en la rejilla y los dos leños están en contacto

Fig. 18 - Instalación del leño Núm.3



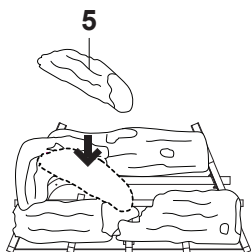
3. Con cuidado, coloque el leño Núm. 3 en la parte superior de las plataformas. Asegúrese de que el leño esté centrado en la parte superior de las plataformas.

Fig. 19 - Instalación del leño Núm.4



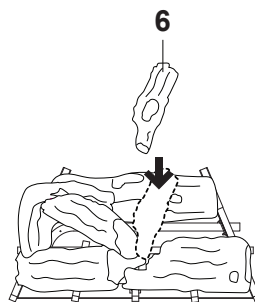
4. Coloque el leño Núm. 4 de modo que esté descansando en la parte superior izquierda de los leños Núm. 1 y Núm. 3. El lado largo debe estar descansando en leño Núm. 3.

Fig. 20 - Instalación del leño Núm.5



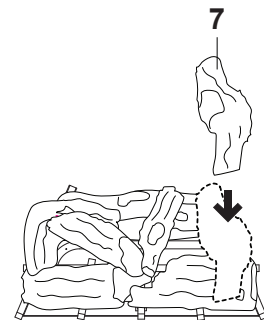
5. Coloque el leño Núm. 5 de modo que esté descansando en la parte posterior de el leño Núm. 4 y en algún lugar en la división de leños Núm. 2 y Núm. 1.

Fig. 21 - Instalación del leño Núm.6



6. Coloque el leño Núm. 6 de modo que esté descansando en los leños Núm. 3 y Núm. 5 únicamente.

Fig. 22 - Instalación del leño Núm.7



7. Coloque el leño Núm. 7 de modo que esté descansando en los leños Núm. 2 y Núm. 3.

MONTAJE DE LEÑOS

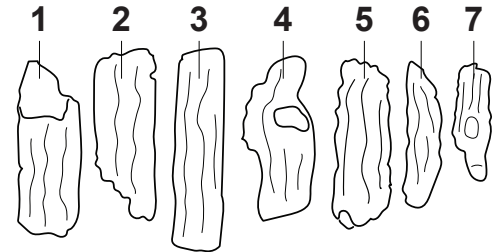
VL-AA24D/VL-AA30D/VL-NO24D/VL-NO30D

⚠ ADVERTENCIA: No colocar las piezas de acuerdo con estos diagramas o no usar solamente piezas específicamente aprobadas con este conjunto de leños puede resultar en daños a la propiedad o lesiones personales. w

⚠ PRECAUCIÓN: Después de la instalación y a partir de allí periódicamente, revise para asegurarse de que ninguna llama amarilla entre en contacto con los leños. Cuando el conjunto de leños se ajusta a Alto, revise para ver si las llamas amarillas entran en contacto con los leños. Si es así, reubique los leños de acuerdo a las instrucciones de instalación de los leños en este manual. Las llamas amarillas en contacto con los leños crearán hollín.

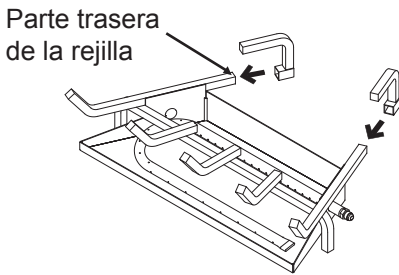
Leños proporcionados: 7

Es muy importante instalar los leños con exactitud según las instrucciones. No modifique los leños; use solo los leños proporcionados con el conjunto de leños. Cada leño está marcado con un número el cual le ayudará a identificar cada leño durante la instalación.



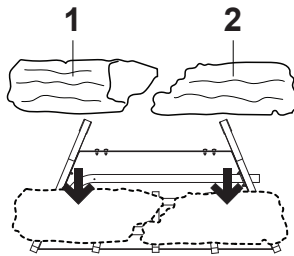
NOTA: Estas instrucciones de instalación de los leños son recomendadas para disminuir la cantidad de hollín al máximo.

Fig. 23 - Instalación de las plataformas



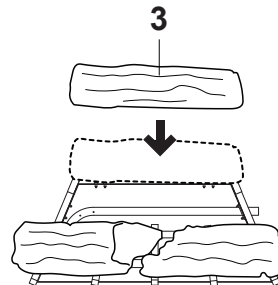
1. Después de que los accesorios opcionales estén instalados (vea página 11), deslice ambas plataformas sobre la parte trasera de la rejilla. Asegúrese de que la parte trasera de la rejilla esté alineada con la parte trasera de la plataforma.

Fig. 24 - Instalación del leño Núm.1 y Num.2



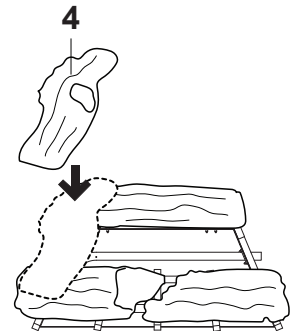
2. Coloque el leño Núm. 1 y Núm. 2 en la parte superior de la rejilla frontal y asegúrese de que la división entre los dos leños esté centrado en la rejilla y los dos leños están en contacto

Fig. 25 - Instalación del leño Núm.3



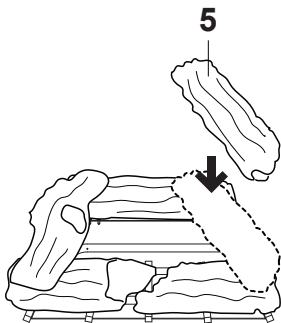
3. Con cuidado, coloque el leño Núm. 3 en la parte superior de las plataformas. Asegúrese de que el leño esté centrado en la parte superior de las plataformas.

Fig. 26 - Instalación del leño Núm.4



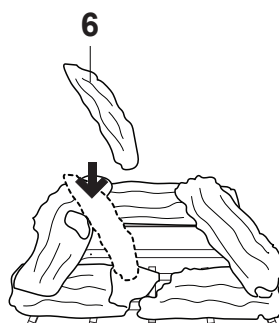
4. Coloque el leño Núm. 4 de modo que esté descansando en la parte superior izquierda de los leños Núm. 1 y Núm. 3.

Fig. 27 - Instalación del leño Núm.5



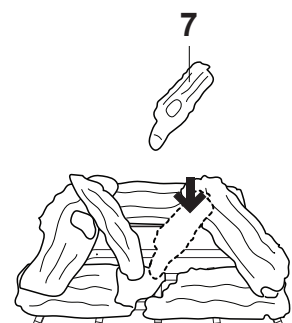
5. Coloque el leño Núm. 5 de modo que esté descansando en la parte superior derecha de los leños Núm. 2 y Núm. 3.

Fig. 28 - Instalación del leño Núm.6



6. Coloque el leño Núm. 6 de modo que esté descansando en la parte posterior de el leño Núm. 4 y en algún lugar en la división de leños Núm. 2 y Núm. 1.

Fig. 29 - Instalación del leño Núm.6



7. Coloque el leño Núm. 7 de modo que esté descansando en los leños Núm. 1 y Núm. 5.

PARA SU SEGURIDAD LEA ANTES DEL ENCENDIDO



ADVERTENCIA: Si no sigue estas instrucciones exactamente, puede resultar un incendio o explosión ocasionando daños a la propiedad, lesiones personales o la muerte.

A. Este aparato requiere ignición por un cerillo. Al encender el aparato, siga estas instrucciones exactamente.

B. **ANTES DE ENCENDER** huela todo alrededor del área del aparato en busca de gas. Asegúrese de oler cerca del piso ya que algo de gas es más pesado que el aire y se asentará en el piso.

QUÉ HACER SI HUELE GAS

- No trate de encender ningún aparato.
- No toque ningún interruptor eléctrico; no use ningún teléfono en su edificio.
- Llame de inmediato a su proveedor de gas del teléfono de un vecino. Siga las instrucciones del proveedor de gas.
- Si no puede contactar a su proveedor de gas, llame al Cuerpo de Bomberos

C. Use solamente su mano para presionar o girar la perilla de control del gas. Nunca use herramientas. Si la perilla no se puede presionar o girar a mano, no trate de repararla, llame a un técnico de servicio calificado. Una reparación forzada puede resultar en incendio o explosión.

D. No use este aparato si alguna pieza ha estado bajo el agua. Llame de inmediato a un técnico de servicio calificado para inspeccionar el aparato y reemplazar cualquier pieza del sistema de control y cualquier control del gas que haya estado bajo el agua.

E. Los combustibles sólidos no se deben quemar en una hoguera donde esté instalado un aparato decorativo.

F. Una rejilla de hoguera debe estar en su sitio cuando el aparato esté funcionando y, a menos que se proporcionen otras disposiciones para el aire de combustión, la rejilla tendrá una abertura para la introducción del aire de combustión.



IMPORTANTE: Este conjunto de leños requiere fraguado la primera vez que se ponen en funcionamiento. Debe completar las siguientes instrucciones para el fraguado para evitar que los leños se agrieten con el uso continuo.

Durante las 3 horas del «periodo de fraguado» del aparato, es posible que detecte un olor del aparato. No se alarme, esto es una situación temporal y normal, que indica que están fraguando los diversos compuestos y pinturas usadas en el conjunto de leños. De manera opcional, se puede considerar ventilación adicional a la habitación durante este «periodo de fraguado».

El fraguado adecuado de los leños debe ser como sigue:

- 1) Encender una llama de 2 pulg. Mantener durante 1 hora
- 2) Deje que los leños enfríen durante 30 minutos
- 3) Encienda el aparato otra vez, pero con la llama 2 pulg. más alta que la última vez. Mantener durante 1 hora
- 4) Repita los pasos 2 y 3 hasta que la llama alcance la altura máxima, y durante un total de 3 horas.

INSTRUCCIONES DE ENCENDIDO - UNIDADES DE ENCENDIDO CON FÓSFORO

1. ¡ALTO! Lea la información de seguridad que se indicó anteriormente.

⚠ ADVERTENCIA: ASEGÚRESE DE QUE EL CONDUCTO DE LA CHIMENEA ESTÉ COMPLETAMENTE ABIERTO.

2. Lea todas las advertencias e información de seguridad en este manual.

3. Gire la válvula con llave de cierre del gas a la posición «OFF» (vea la Figura 30).

4. Espere cinco (5) minutos para que se vacíe todo el gas. Si huele gas, ¡ALTO! Siga las instrucciones de seguridad en la página anterior nombradas «QUÉ HACER SI HUELE GAS». Si no huele gas, continúe con el paso siguiente.

5. Coloque un fósforo encendido sobre la superficie de las brazas del quemador. No sostenga el fósforo en la mano.

6. Lentamente, gire la válvula con llave de cierre del gas a la posición ON. El gas debe encender en cinco (5) segundos. Si no hay ignición en diez segundos después de colocar el fósforo encendido, coloque la válvula de cierre con llave en la posición OFF y repita los pasos 1 a 5.

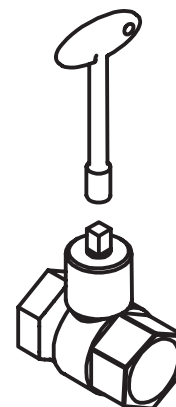


Fig. 30 - Válvula de llave del gas a la posición "OFF"

⚠ ADVERTENCIA: La rejilla de la hoguera debe estar en su lugar cuando el aparato esté en funcionamiento y, a menos que se proporcionen otras disposiciones para la combustión, la rejilla tendrá una abertura para la introducción de aire de combustión.

⚠ ADVERTENCIA: Toda puerta de vidrio deberá estar completamente abierta mientras el calefactor esté en operación.

PARA APAGAR EL GAS AL APARATO

1. Gire suavemente la válvula de cierre con llave a la posición " OFF" (vea la Figura 30).

PATRÓN DE LA LLAMA DEL QUEMADOR

La Figura 31 muestra un patrón correcto de la llama del quemador. La Figura 32 muestra un patrón incorrecto de la llama del quemador. El patrón incorrecto de la llama del quemador muestra puntas de llama esporádicas e irregulares. La llama no debe ser oscura ni tener un matiz anaranjado/rojizo.

Nota: Cuando use por primera vez el conjunto de leños, la llama será anaranjada durante aproximadamente una hora hasta que los leños fragüen.

Si el patrón de la llama del quemador es incorrecta, como se muestra en la Figura 32.

- Apague el conjunto de leños (vea "Apagar el gas al aparato," página 16).
- consulte Resolución de fallas, páginas 19.

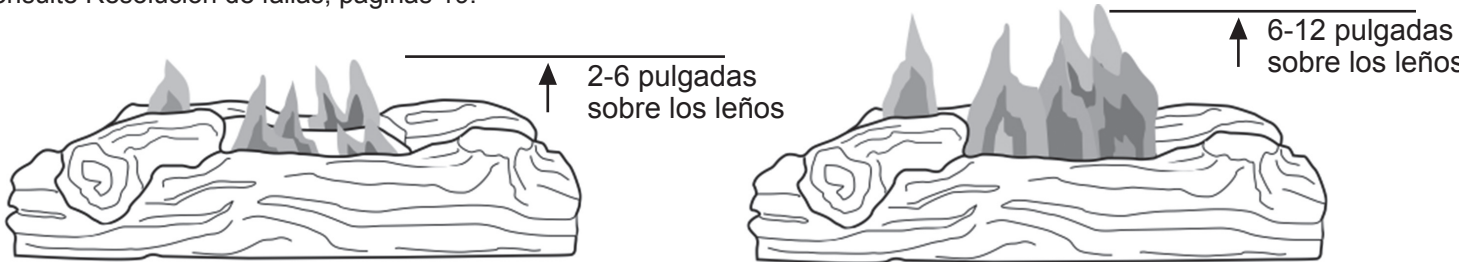


Fig. 31 - Patrón correcto/normal de la llama con llamas cortas

Fig. 32 - Patrón incorrecto/anormal de la llama con llamas altas

⚠ ADVERTENCIA: Apague el conjunto de leños y deje que se enfríe antes de darle servicio.

⚠ PRECAUCIÓN: Debe mantener limpias las áreas de control, el quemador y los pasillos de aire circulante del conjunto de leños. Inspeccione estas áreas del conjunto de leños antes de cada uso. Haga que una persona de servicio calificada inspeccione el conjunto de leños anualmente. El conjunto de leños puede necesitar limpieza frecuente debido a pelusa en exceso proveniente de alfombras, ropa de cama, pelo de mascotas, etc.

⚠ ADVERTENCIA: No mantener limpias las aberturas de aire primario del quemador puede resultar en generación de hollín. Riesgo de daños a la propiedad.

PORTA ORIFICIO DEL QUEMADOR Y AGUJERO DE ENTRADA DE AIRE DEL PILOTO

Los agujeros de entrada de aire primario permiten que entre la cantidad apropiada de aire para que se mezcle con el gas. Esto produce una llama limpia. Mantenga estos agujeros libres de polvo, suciedad, pelusa y pelo de mascotas. Limpie estos agujeros de entrada de aire antes de cada estación de calefacción. Los agujeros de aire bloqueados crearán hollín. Recomendamos que limpie la unidad cada tres meses durante la operación y que haga que una persona de servicio calificada inspeccione el conjunto de leños anualmente.

También recomendamos que mantenga el tubo del quemador y el ensamblaje del piloto limpios y libres de polvo y suciedad. Para limpiar estas piezas, recomendamos usar aire comprimido a no más de 30 PSI. Su tienda de computadoras local, tienda de herrajes o centro del hogar pueden tener aire comprimido en una lata. Si usa aire comprimido en una lata, siga las instrucciones en la lata. Si no sigue las instrucciones en la lata, podría dañar el ensamblaje del piloto.

Una agencia calificada debe hacer una revisión y limpieza periódicas del sistema de ventilación y de la chimenea para quemar combustible sólido, incluyendo la frecuencia de tal revisión y la limpieza.

CUIDADO Y MANTENIMIENTO

- Mantenga el área alrededor del conjunto de leños limpia y libre de desechos.
- Una vez cada año, una agencia calificada o deshollinador certificado debe examinar y limpiar el sistema de ventilación de la hoguera.

Al comienzo de cada estación, el sistema debe revisarse como sigue:

1. Revise el conducto/tubería de ventilación de la chimenea para asegurarse de que el conducto esté extrayendo adecuadamente. Revise también si alguna tubería de ventilación está hermética.
2. Revise para ver que la chimenea/terminación de ventilación no tiene bloqueos.
3. Revise la chimenea y/o respiraderos en busca de acumulación de creosota y hollín y limpie si es necesario.
4. Inspeccione los quemadores y el piloto (si aplica).

El sistema del quemador ha sido ajustado previamente en la fábrica para un funcionamiento adecuado. No es necesario ningún otro ajuste que no sea la llama piloto o corrección por altitud.

GENERACIÓN DE HOLLÍN Y LIMPIEZA DE LOS LEÑOS

Es común la generación de hollín de sus leños, lo que agrega apariencia de madera quemada real. Si está ocurriendo generación de hollín excesivo y se acumula, los leños se pueden limpiar usando cualquiera de las siguientes opciones:

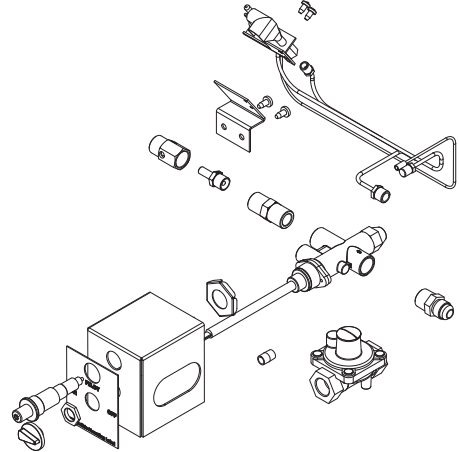
- A. Rocíe los leños con agua limpia mientras están ardiendo y calientes. El hollín arderá y se desprenderá.
- B. Cepille el hollín con un cepillo duro mientras los leños están fríos. Mientras usa un cepillo, no use agua ni limpiadores de hollín.

ACCESORIOS

Compre estos accesorios de hoguera a su distribuidor local. Si no pueden suplir estos accesorios, comuníquese con el departamento de servicio al cliente para obtener información.

Nota: La humedad puede hacer que los gránulos y las brasas incandescentes en la bandeja de su quemador se asienten. Para retornar la llama a la condición original y mejorar el quemado, siga estos consejos.

- a. Asentamiento de arena (o vermiculita) - Usando un destornillador o cuchillo de hoja plana, agite con cuidado los gránulos, aflojando el material. Limpie cualquier derrame.
- b. Brasas -Rompa cualquier grumo (donde se use) - Inspeccione el control y el piloto para asegurarse de que estén libres de suciedad o desechos.



VMC100 - VERMICULITA

Ayuda a dispersar el gas uniformemente a lo largo de la bandeja del quemador para un patrón de llama más completa. También, se duplica como una cama de cenizas.

LVR100 - ROCA DE LAVA

Mejora la profundidad y realismo creando una cama de roca realista para leños a gas ventilados o no ventilados. Úsela como un reemplazo o uso de primera vez.

SPK100 - Juego de piloto de seguridad/conversión a PL

Requerido para instalación de propano/PL.

GEF100 - FIBRAS DE BRAZAS INCANDESCENTES

Agrega realismo a los leños a gas proporcionando el mismo efecto que una cama incandescente de cenizas que se encuentran en fuego de madera ardiendo.

RESOLUCIÓN DE FALLAS

⚠️ **ADVERTENCIA:** Si huele a gas:

- Apague el suministro de gas
- No trate de encender ningún aparato.
- No toque ningún interruptor eléctrico; no use ningún teléfono en su edificio.
- Llame de inmediato a su proveedor de gas del teléfono de un vecino. Siga las instrucciones del proveedor de gas.
- Si no puede contactar a su proveedor de gas, llame al Cuerpo de Bomberos.

IMPORTANTE: La operación del conjunto de leños donde existan impurezas en el aire puede crear malos olores. Los suministros de limpieza, pintura, removedor de pintura, humo de cigarrillo, cementos y pegamentos, alfombra nueva o textiles, etc. crean humos. Estos humos pueden mezclarse con el aire de la combustión y crear malos olores.

⚠️ **ADVERTENCIA:** Apague el conjunto de leños y deje que se enfríen antes de darles servicio. Solo una persona de servicio calificada debe dar servicio y reparar el conjunto de leños.

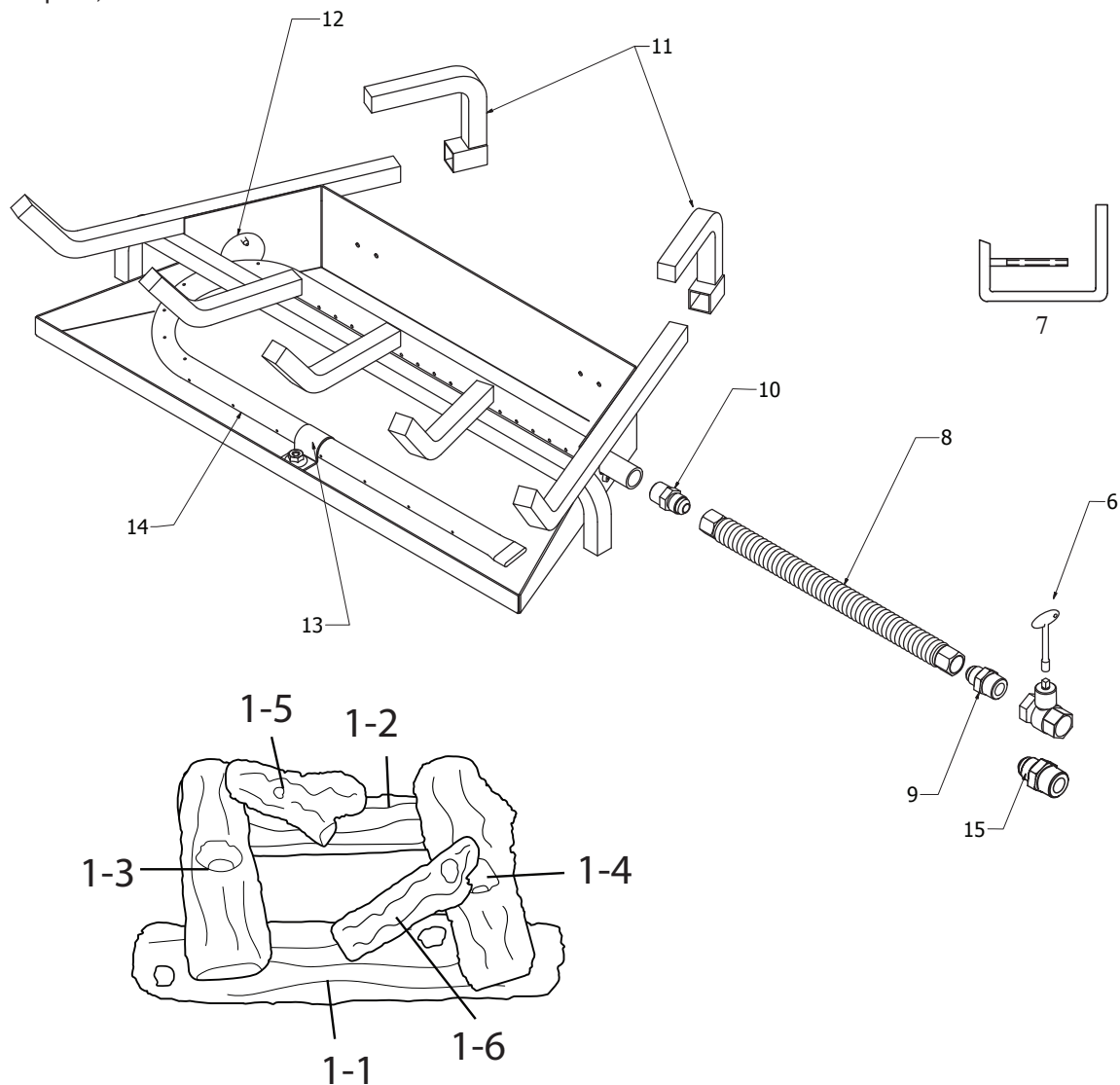
PROBLEMA	CAUSA POSIBLE	ACCIÓN CORRECTIVA
<p>El conjunto de leños está produciendo mucho humo/hollín.</p> <p>Nota: Es natural e inevitable que el conjunto de leños a gas ventilados produzcan niveles moderados de carbón (hollín) donde las llamas entran en contacto con los leños.</p>	<ol style="list-style-type: none"> 1. Mala calidad del combustible. 2. El sistema de ventilación de la hoguera no está ventilando adecuadamente. 3. Efecto o bloqueo excesivos de la llama. 4. Mezcla combustible/aire inadecuada. 5. Suministro de gas/presión excesivos. 6. Regulador de tiro cerrado o no abierto lo suficiente. 	<ol style="list-style-type: none"> 1. Comuníquese con la empresa de gas natural local. 2. Ajuste el regulador de tiro a abertura amplia y/o haga que un profesional limpie y revise la hoguera y la ventilación. 3. Separe los leños para permitir más paso de la llama. 4. Retire cualquier artículo extraño del patrón de la llama. 5. Precaliente el conducto en clima muy frío. 6. Abra el regulador de tiro completamente cuando opere el conjunto de leños a gas.
<p>El quemador hace ruido excesivo. Nota: El movimiento y combustión del gas creará niveles de ruido bajos e inevitables.</p>	<ol style="list-style-type: none"> 1. Pasillo de aire/gas a través de superficies irregulares. 	<ol style="list-style-type: none"> 1. Mitigue cualquier doblez o retorcimiento en la línea de suministro de gas.
<p>La llama del quemador es demasiado baja o demasiado alta.</p>	<ol style="list-style-type: none"> 1. Suministro de gas o presión incorrectos. 2. Orificio del quemador o puertos del distribuidor del quemador bloqueados. 3. Tamaño inadecuado del orificio del quemador. 4. La válvula no está funcionando adecuadamente. 5. Alta altitud. 	<ol style="list-style-type: none"> 1. Revise en busca de una presión adecuada del suministro de gas. 2. Libere el orificio del quemador y los puertos del distribuidor de rebabas, pintura, u otro bloqueo. 3. Compruebe que el tamaño del orificio del quemador es el adecuado. 4. Reemplace la válvula. 5. Ajuste el tamaño del orificio para la altitud.

RESOLUCIÓN DE FALLAS

PROBLEMA	CAUSA POSIBLE	ACCIÓN CORRECTIVA
El conjunto de leños produce un chasquido/tictac justo después de que el quemador se enciende o apaga.	1. El metal se expande cuando se calienta o se contrae cuando se enfría.	1. Esto es común en la mayoría de conjuntos de leños. Si el ruido es excesivo, póngase en contacto con una persona de servicio calificada.
El conjunto de leños produce olores indeseados.	1. El conjunto de leños está quemando vapores de pintura, aerosol para el cabello, pegamentos, limpiadores, productos químicos, alfombra nueva, etc. (Vea la declaración IMPORTANTE en la página 19). 2. Fuga de gas. Vea la declaración de Advertencia en la página 19).	1. Abra el conducto al máximo. Deje de usar productos causantes de olor mientras el conjunto de leños está funcionando. 2. Localice y corrija todas las fugas (vea "Revisión de las conexiones de gas", página 10).
Hay olor a gas incluso cuando la perilla de control está en la posición OFF.	1. Fuga de gas. Vea la declaración de Advertencia en la página 19. 2. Válvula de control defectuosa.	1. Localice y corrija todas las fugas (vea "Revisión de las conexiones de gas", página 10). 2. Reemplace la válvula de control.
Hay olor a gas durante la combustión.	1. Fuga de gas. Vea la declaración de advertencia en la parte superior de la página 19).	1. Localice y corrija todas las fugas (vea "Revisión de las conexiones de gas", página 10).
Ruido de pitido cuando el quemador está encendido.	1. Aire en la línea de gas. 2. La perilla de control no está en la posición completamente abierta. 3. Línea flexible de gas en espiral.	1. Líneas de gas purgadas. 2. Gire el control a la posición completamente abierta. 3. Reemplace la línea de suministro de gas.

PIEZAS DE REPUESTO

Para piezas de repuesto, llame a nuestro departamento de servicio técnico al 1-877-447-4768, de lunes a viernes, de 8:30 a.m. a 4:30 p.m., hora estándar del Centro.

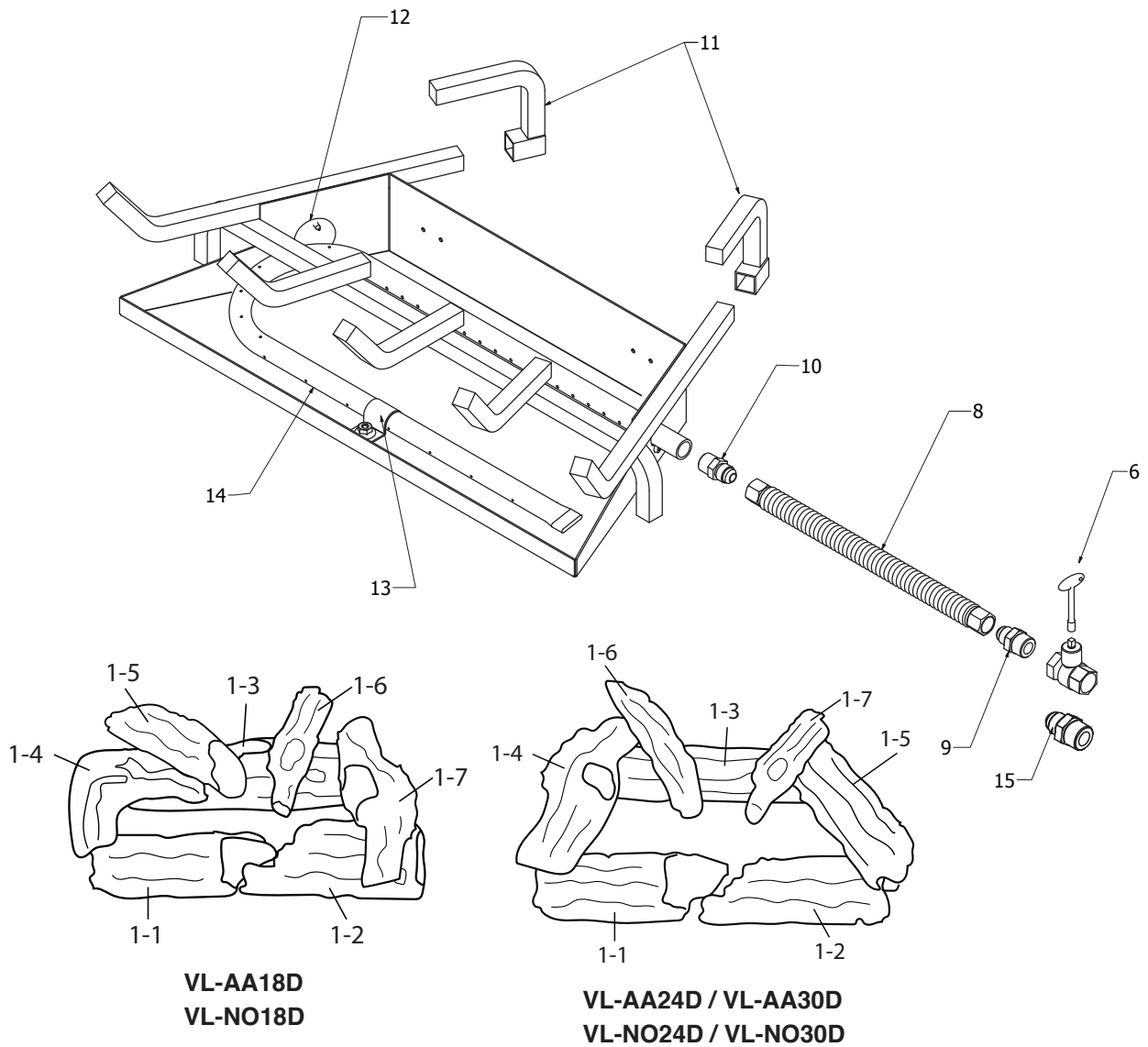


VL-WO18D / VL-WO24D / VL-WO30D

Núm. de artículo	Descripción	Cantidad	Núm de pieza		
			VL-WO18D	VL-WO24D	VL-WO30D
1	Conjunto de leños (completo)	1	80-06-27	80-06-28	80-06-29
1-1	Leño 1	1	H-0063	H-0068	H-0071
1-2	Leño 2	1	H-0064	H-0069	H-0070
1-3	Leño 3	1	H-0061	H-0066	H-0066
1-4	Leño 4	1	H-0062	H-0067	H-0067
1-5	Leño 5	1	H-0060	H-0065	H-0065
1-6	Leño 6	1	H-0059	H-0059	H-0059
1-7	Leño 7	1	NA	NA	NA
6	Válvula de cierre	1	80-06-30	80-06-30	80-06-30
7	Pinza de regulador de tiro	1	80-06-031	80-06-031	80-06-031
8	12" Línea flexible	1	80-06-032	80-06-032	80-06-032
9	3/8" Llamarada x 1/2" MIP Conector	1	80-06-033	80-06-033	80-06-033
10	3/8" montaje de orificio	1	80-06-034	80-06-034	80-06-034
11	Plataformas de leños	2	80-06-035	80-06-035	80-06-035
12	Placa de la cubierta	1	80-06-036	80-06-036	80-06-036
13	Abrazadera del distribuidor del quemador	1	80-06-037	80-06-037	80-06-037
14	Distribuidor del quemador	1	80-06-038	80-06-039	80-06-040
15	1/2" conector hembra	1	80-06-033	80-06-033	80-06-033

PIEZAS DE REPUESTO

Para piezas de repuesto, llame a nuestro departamento de servicio técnico al 1-877-447-4768, de lunes a viernes, de 8:30 a.m. a 4:30 p.m., hora estándar del Centro.



Núm. de artículo	Descripción	Cantidad	Núm de pieza		
			VL-AA18D VL-NO18D	VL-AA24D VL-NO24D	VL-AA30D VL-NO30D
1	Conjunto de leños (completo)	1	80-06-047	80-06-048	80-06-049
1-1	Leño 1	1	H-0519	H-0523	H-0531
1-2	Leño 2	1	H-0532	H-0524	H-0524
1-3	Leño 3	1	H-0520	H-0525	H-0502
1-4	Leño 4	1	H-0522	H-0537	H-0537
1-5	Leño 5	1	H-0456	H-0527	H-0527
1-6	Leño 6	1	H-0362	H-0528	H-0528
1-7	Leño 7	1	H-0537	H-0362	H-0362
6	Válvula de cierre	1	80-06-30	80-06-30	80-06-30
7	Pinza de regulador de tiro	1	80-06-031	80-06-031	80-06-031
8	12" Línea flexible	1	80-06-032	80-06-032	80-06-032
9	3/8" Llamarada x 1/2" MIP Conector	1	80-06-033	80-06-033	80-06-033
10	3/8" montaje de orificio	1	80-06-034	80-06-034	80-06-034
11	Plataformas de leños	2	80-06-035	80-06-035	80-06-035
12	Placa de la cubierta	1	80-06-036	80-06-036	80-06-036
13	Abrazadera del distribuidor del quemador	1	80-06-037	80-06-037	80-06-037
14	Distribuidor del quemador	1	80-06-038	80-06-039	80-06-040
15	1/2" conector hembra	1	80-06-033	80-06-033	80-06-033

Garantía

GARANTÍA LIMITADA:

Esta garantía limitada se extiende al comprador original al por menor de este conjunto de calentador y garantiza contra cualquier defecto en materiales y mano de obra durante un periodo de (2) años a partir de la fecha de venta al por menor. GHP Group, Inc., a su opción, proporcionará piezas de reemplazo o reparará la unidad cuando sea devuelta apropiadamente a la tienda minorista donde se compró o a uno de nuestros centros de servicio como lo indica GHP Group, Inc., dentro de (2) años a partir de la compra al por menor. (Los costos de envío, costos de mano de obra, etc. son responsabilidad del comprador.)

DEBERES DEL PROPIETARIO:

Este aparato de calefacción debe ser operado de acuerdo con las instrucciones escritas proporcionadas con este calefactor. Esta garantía no excusa al propietario de darle mantenimiento apropiado a este calefactor de acuerdo con las instrucciones escritas proporcionadas con este calefactor. Debe conservarse un recibo, cheque cancelado o registro de pago para comprobar la fecha de compra y establecer el periodo de la garantía. Debe conservarse la caja original en caso de retorno de garantía de la unidad.

LO QUE NO ESTÁ CUBIERTO:

1. Daños que resulten del uso de combustible inapropiado.
2. Daños causados por mal uso o uso contrario al manual de propietario y pautas de seguridad.
3. Daños causados por falta de mantenimiento normal.
4. Uso de piezas o accesorios no estándar.
5. Daños causados durante el tránsito. Los cargos por flete sobre las piezas de la garantía o calefactores hacia y desde la fábrica serán responsabilidad del propietario.

Esta garantía no implica ni asume ninguna responsabilidad por daños consecuentes que puedan resultar del uso, mal uso o falta de mantenimiento rutinario de este aparato de calefacción. Se puede cargar un cargo por limpieza y el costo de las piezas para fallas del aparato que resulten de la falta de mantenimiento. Esta garantía no cubre reclamos que no involucren mano de obra o materiales defectuosos. **NO REALIZAR EL MANTENIMIENTO GENERAL (INCLUYENDO LA LIMPIEZA) ANULARÁ ESTA GARANTÍA.**

ESTA GARANTÍA LIMITADA SE LE DA AL COMPRADOR EN LUGAR DE TODAS LAS OTRAS GARANTÍAS, EXPRESAS O IMPLÍCITAS, INCLUYENDO PERO NO LIMITADAS A LAS GARANTÍAS DE COMERCIALIZACIÓN O IDONEIDAD PARA UN PROPÓSITO PARTICULAR. LA REPARACIÓN PROPORCIONADA EN ESTA GARANTÍA ES EXCLUSIVA Y SE OTORGA EN LUGAR DE TODAS LAS OTRAS REPARACIONES. EN NINGÚN CASO GHP GROUP, INC. SERÁ RESPONSABLE DE NINGÚN DAÑO INCIDENTAL O CONSECUENTE.

Algunos estados no permiten limitaciones sobre cuánto debe durar una garantía, por lo tanto las limitaciones anteriores podrían no aplicar a usted. Algunos estados no permiten la exclusión o la limitación de los daños incidentales o consecuentes, por lo tanto, es posible que la exclusión o las limitaciones antes indicadas no correspondan a usted.

LOS RECLAMOS SE MANEJAN COMO SIGUE:

1. Póngase en contacto con su tienda minorista y explique el problema.
2. Si la tienda minorista no puede resolver el problema, póngase en contacto con el Departamento de Servicio al Cliente detallando el modelo del calefactor, el problema y la prueba de la fecha de compra.
3. Un representante se pondrá en contacto con usted. NO DEVUELVA EL CALEFACTOR A GHP GROUP, INC. a menos que se lo indique nuestro representante. Esta garantía le otorga derechos legales específicos y también puede tener otros derechos que varían de un estado a otro.

PARA REGISTRAR ESTA GARANTÍA SOBRE SU CALEFACTOR, LLENE ESTA TARJETA POR COMPLETO
Y ENVÍELA POR CORREO 14 DÍAS DESPUÉS DE LA FECHA DE COMPRA O REGÍSTRESE EN LÍNEA EN www.ghpgroupinc.com

NOMBRE _____ TELÉFONO: () _____ CORREO ELECTRÓNICO: _____
DIRECCIÓN: _____ CIUDAD: _____ ESTADO: _____ CÓDIGO POSTAL: _____
MODELO: _____ No. DE SERIE: _____ FECHA DE COMPRA: _____
TIENDA MINORISTA DE LA COMPRA: _____ TIPO DE TIENDA: _____
CIUDAD Y ESTADO DONDE SE HIZO LA COMPRA: _____ PRECIO PAGADO: _____

Por favor, tómese un minuto para darnos sus respuestas a las siguientes preguntas.

Todas las respuestas serán usadas únicamente para investigación de mercado y serán mantenidas en estricta confidencialidad.

¿Quién decidió principalmente esta compra? Masculino Femenino 18-24 25-39 40-59 60 y más
¿Propósito de la compra? _____
¿Posee otro calefactor portátil? Sí No Si la respuesta es Sí, tipo _____ marca _____
¿Cómo pretende usar su nuevo calefactor? Sitio de construcción Granja Bodega/Comercial Garaje/Construcción anexa otro
¿Cómo se dio cuenta de este calefactor? Exhibidor de la tienda Anuncio de periódico Anuncio de revista Amigo/Pariente
Comercial de TV Vendedor de la tienda otro _____
¿Qué lo hizo elegir este calefactor? Estilo Tamaño/Portabilidad Precio Empaque Marca Otro _____
Usted: posee alquila ¿Le recomendaría este calefactor a un amigo? Sí No
Por favor, denos sus comentarios: _____

¡GRACIAS POR LLENAR ESTE FORMULARIO!
La información se mantendrá confidencial.

REGISTRO DE LA GARANTÍA

IMPORTANTE: Le urgimos que llene su tarjeta de registro de la garantía en el plazo de catorce (14) después de la fecha de compra También puede registrar su garantía en internet en www.ghpgroupinc.com. Complete el número de serie. Conserve esta porción de la tarjeta para sus registros.



GHP Group, Inc.
6440 W Howard St
Niles, IL 60714-3302

Tel: (877) 447-4768
www.ghpgroupinc.com

¡GUARDE ESTA TARJETA!

Coloque
la
estampilla
postal

GHP Group, Inc.
6440 W Howard St
Niles, IL 60714-3302