

This Owner's Manual is provided and hosted by [Appliance Factory Parts](#).



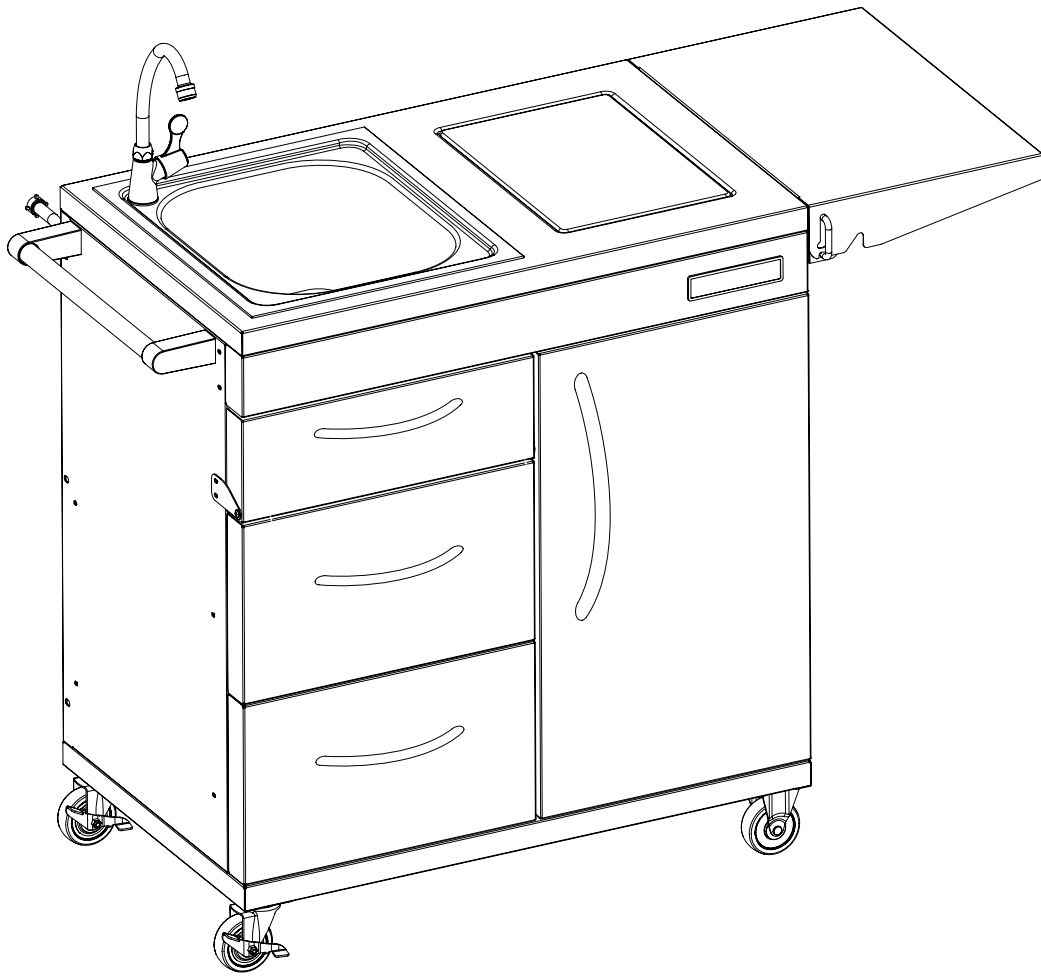
Permasteel PS-OK002-1 Owner's Manual

[Shop genuine replacement parts for Permasteel
PS-OK002-1](#)



[Find Your Permasteel Other Parts - Select From 22 Models](#)

----- Manual continues below -----



**STAINLESS STEEL KITCHEN CART
USER'S MANUAL**

MODEL NUMBER: PS-OK002

CUSTOMER SERVICE:(888)-287-0735

FOR OUTDOOR USE ONLY

MESSAGE TO OUR USERS

Thank you for your purchase of our Stainless Steel Kitchen Cart. We sincerely wish you will enjoy using our fine products.

- Please read this User's Manual in its entirety before using the product.
- Please contact our customer service if you have any questions.
- Please read this User's Manual carefully.
- Some parts of this unit may have sharp edges. Please wear suitable protective gloves.

NOTE TO INSTALLER: Leave this User's Manual with the customer after delivery and/or installation.

NOTE TO CONSUMER: Leave this User's Manual in a convenient place for future reference.

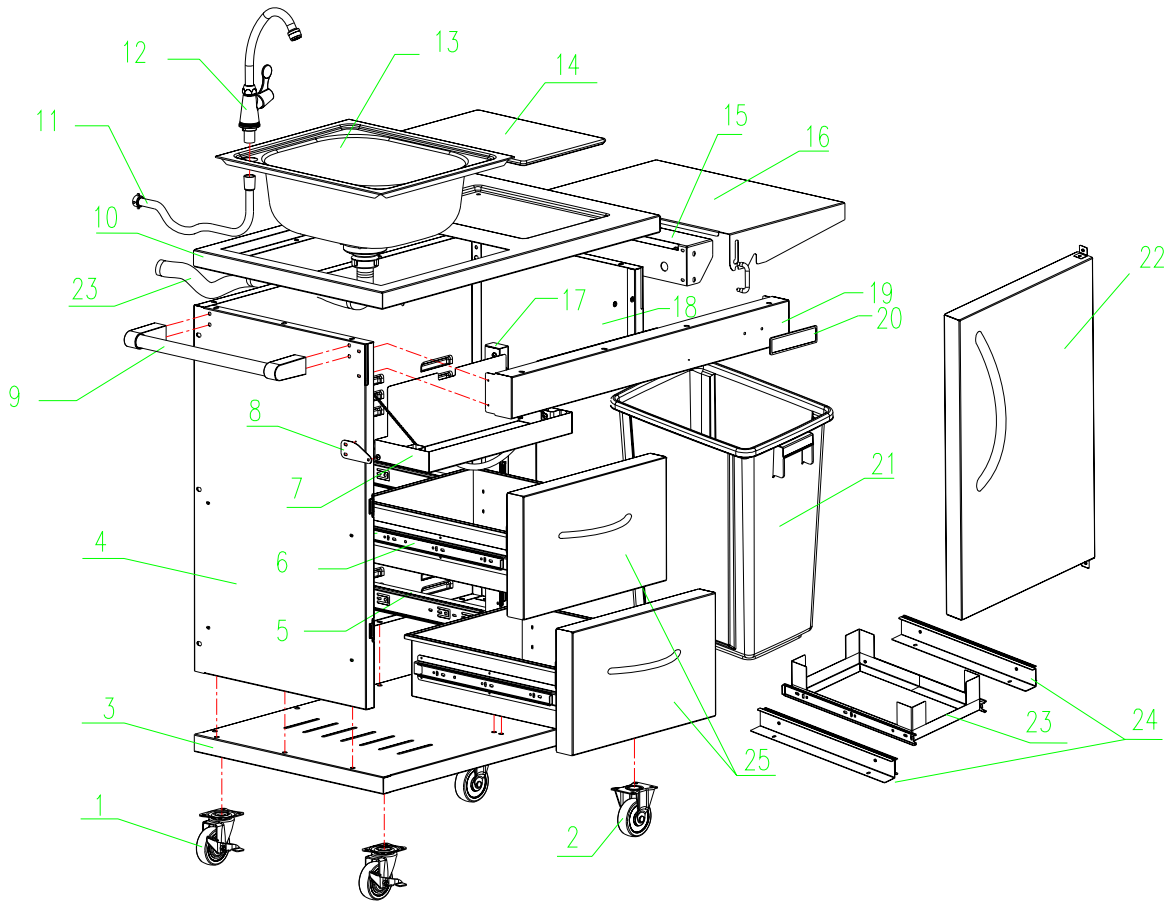
OPERATE & MAINTENANCE

For your safety:

- Keep the cart area clear and free from any flammable material.
- NEVER let children play near the cart, especially if the folding shelf is folded-up, they may bump their head on it and cause bodily injury.
- Do not place this cart on or under wood balconies.
- Make sure there is a bucket available to hold the waste water.
- **STAINLESS STEEL CLEANING**

The outdoor kitchen is made of stainless steel. There are many different stainless steel cleaners available. Always use the mildest cleaners first, scrubbing in the direction of the grain. To touch up noticeable scratches, sand very lightly with dry 100 grit emery papers in the direction of the grain. Specks of grease water can gather on the surfaces of the stainless steel and bake by the hot sun onto the surface and give the appearance of rust. Use an abrasive pad in conjunction with a stainless steel cleaner to remove, scrubbing in the direction of the grain.

PARTS LIST



REF#	DESCRIPTION	REF#	DESCRIPTION
1	Casters with Brakes	14	Cutting Board
2	Casters without Brakes	15	Side Shelf Bracket
3	Bottom Panel	16	Side Shelf
4	Left Side Panel	17	Standpipe, Cart
5	Clapboard	18	Right Side Shelf
6	Drawer Slide	19	Door Bracket
7	Condiment Tray	20	Name Plate
8	Condiment Tray Bracket	21	Trash Can
9	Push Bar	22	Door
10	Table Top	23	Trash Can Seat
11	Inlet Water Hose	24	Sliders, Trash Can Seat
12	Faucet	25	Drawers
13	Sink		


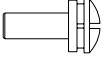
ASSEMBLY INSTRUCTIONS

PLEASE READ AND FOLLOW THE INSTRUCTIONS CAREFULLY

STEP BY STEP

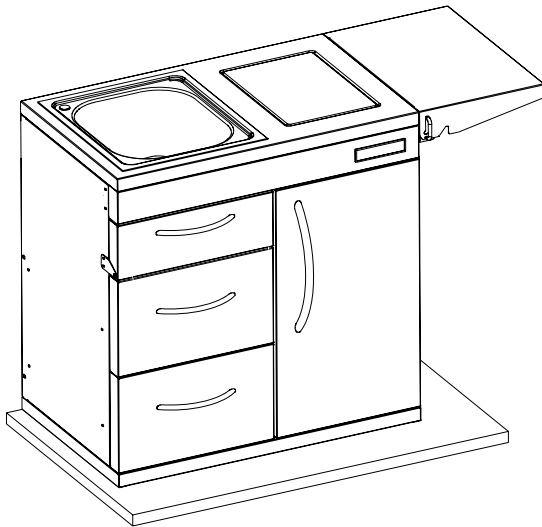
Tools required:

- #2 Philips head screw driver not provided;
- The following hardware kits are provided, and packed separately in Casters carton and Push bar carton.

Item	Description	Specification	Quantity
1	Truss head screw (With Split lock And Gasket) 	1/4-20X1/2"	16 pcs
2	Truss head screw (With Split lock And Gasket) 	3/16-24X3/8"	4 pcs

STEP I:

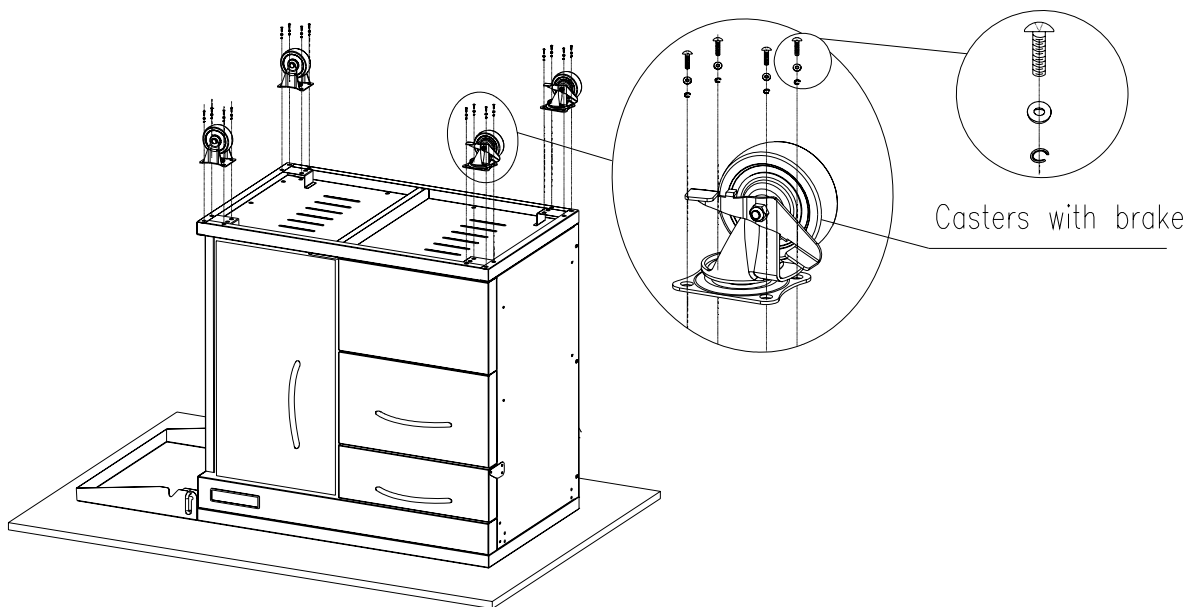
- Take out main body of kitchen cart from the carton.
- Remove all the packing materials.
- Fold up right side shelf.



ASSEMBLY INSTRUCTIONS

STEP II:

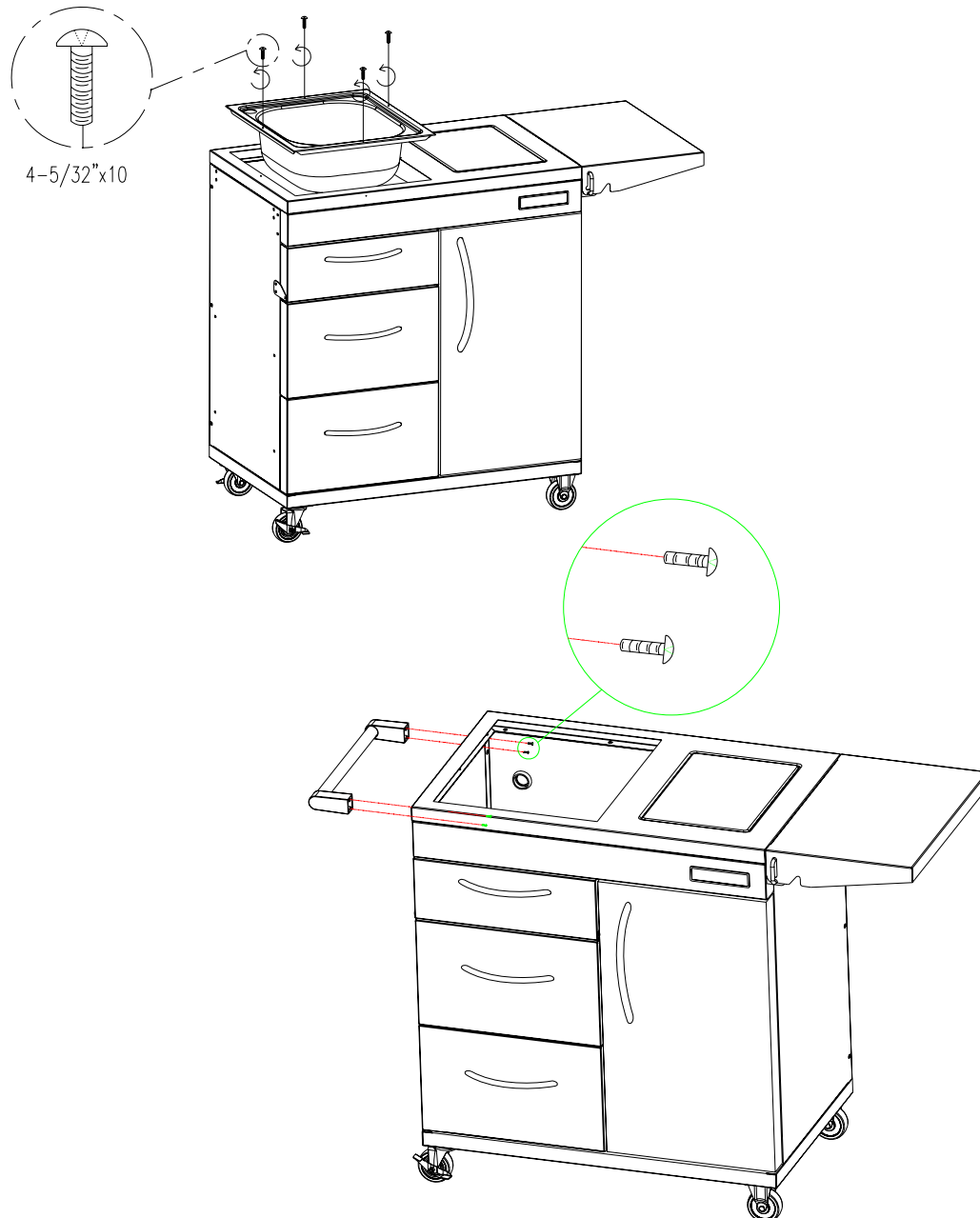
- Slowly turn the kitchen cart over on to the packing foam board with bottom panel facing up.
- Remove all the packing materials.
- Take out four casters (two with brakes) from packing carton, attach one caster to each corner of bottom panel, with four 1/4-20X1/2" screws.
Note: The casters with brakes should be assembled on the left side, the same side with push bar. (Opposite side of folding shelf)



ASSEMBLY INSTRUCTIONS

STEP III:

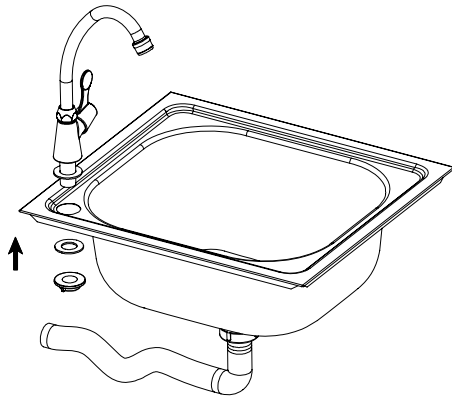
- Unscrew the four setscrews of sink, and remove the sink.
- Use 4 pieces of Truss head 3/16–24X3/8” screws to attach the push bar on left side panel from the inside of outdoor kitchen cart.



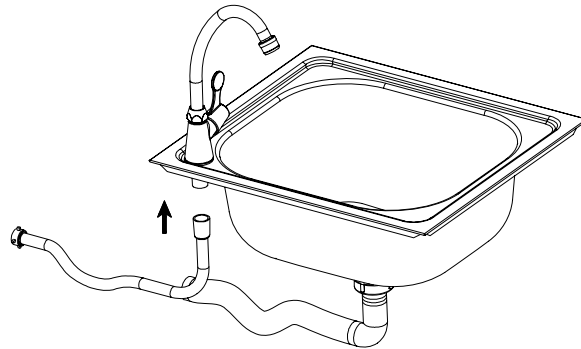
ASSEMBLY INSTRUCTIONS

STEP IV :

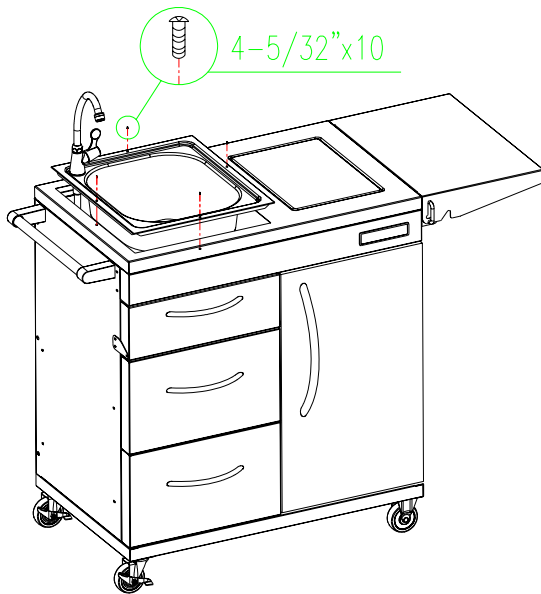
- Unpack the faucet and inlet water hose from carton.
- Insert the faucet through faucet sink hole and attach with plastic nut see figure (a).
- Attach the inlet water hose to treaded end of faucet under sink by screwing it in counterclockwise see figure (b).
- Place sink onto counter top and attach with 4 screws see figure (c).
- Place the inlet and outlet hoses through the holes on back panel, see figure (d).



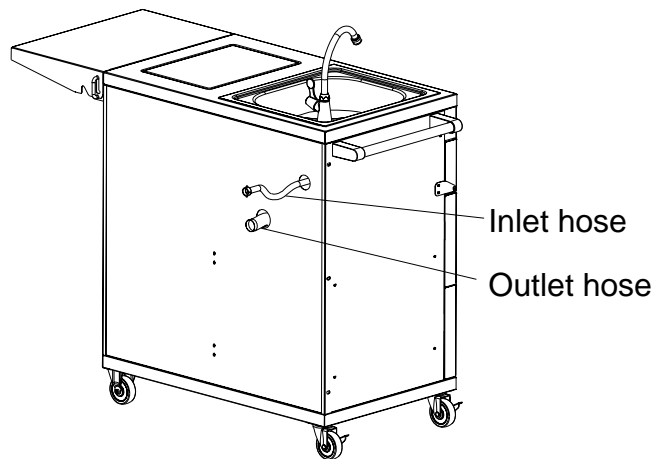
(a)



(b)



(c)

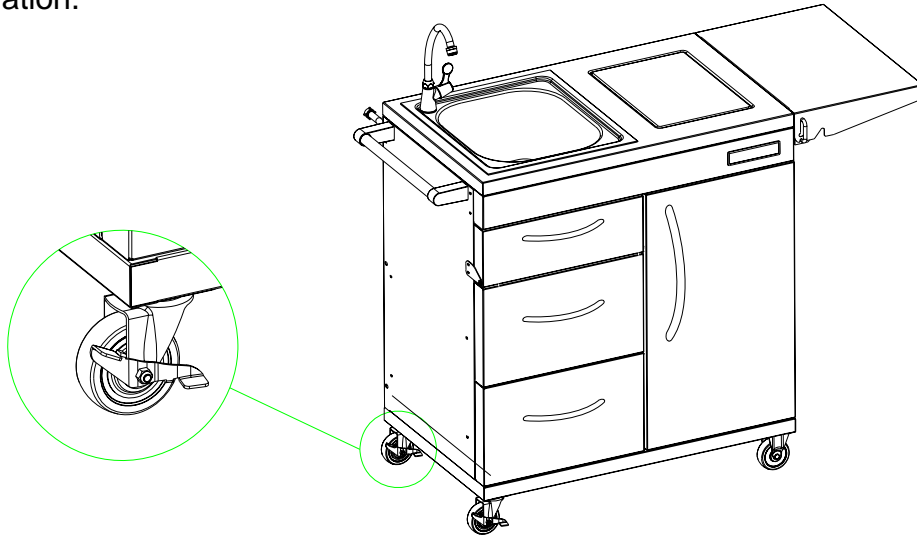


(d)

ASSEMBLY INSTRUCTIONS

STEP V :

- When the outdoor kitchen is in the desired location, lock the caster brakes, this will keep it in place for safe operation. When the outdoor kitchen is in the desired location, lock the caster brakes, this will keep it in place for safe operation.



Then your cart is ready for use.

