

This Owner's Manual is provided and hosted by [Appliance Factory Parts](#).



# Permasteel PS-203-1 Owner's Manual

[Shop genuine replacement parts for Permasteel  
PS-203-1](#)



[Find Your Permasteel HVAC Parts - Select From 5 Models](#)

----- Manual continues below -----

# Owner's Manual

## CONTACT US

Questions? Need parts?  
We are here to help!

Permasteel Customer Service  
Tel: 888-287-0735  
Fax: 909-287-0733  
Email: [service@permasteel.net](mailto:service@permasteel.net)

Monday-Friday  
8:00am-5:00pm (Pacific Standard Time)

# Owner's Manual



STEEL 80QT COOLER

MODEL#PS-203

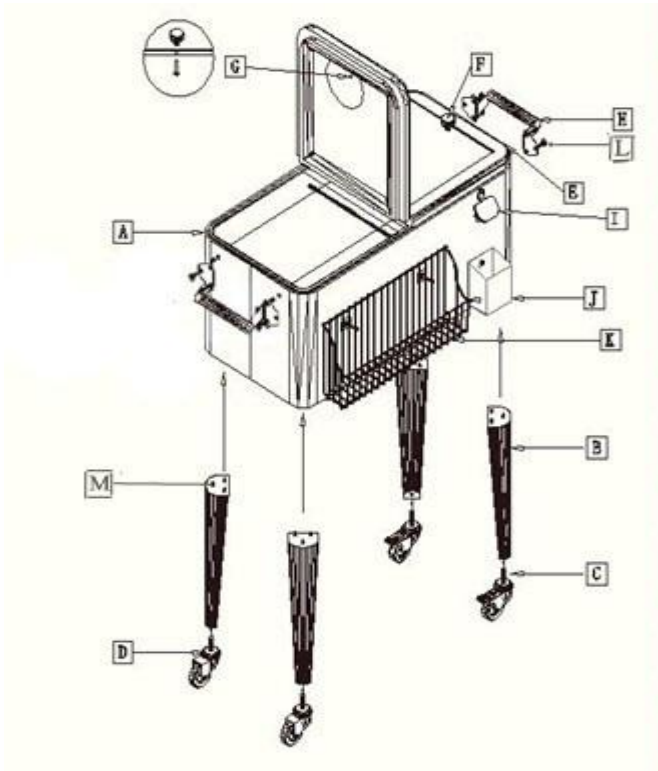
## **ASSEMBLY INSTRUCTIONS:**

### TOOLS REQUIRED:

#2 Phillips screwdriver

Allen wrench

Please read the cooler manual carefully and assemble according to following steps.



Item	Description	Qty
A	Main Basin	1
B	Legs	4
C	Caster with brake	2
D	Caster	2
E	Lid	2
F	Lid Handle	2
G	M5*40Screw	2
H	Hand	2
I	Bottle Opener	1
J	Bottle-cap Catcher	1
K	Basket	1
L	M6*16 bolt	12
M	Hexangdlar Bolt	12

1. Please make sure all parts are accounted for before beginning assembly
2. Place main basin (part A) up-side down on clean soft surface. Attach each leg & wheel assembly (parts B,C &D) onto main basin using 3pcs truss screws for each leg.
3. Turn over entire assembly and press caster brake level to lock casters. Attach left & right handles (part H) to main basin using 12 pcs truss screws. Tighten with wrench.
4. Attach bottle-cap catcher (J) to main basin by sliding it down over 2 pre-installed bolts.
5. Attach Basket (part K) to main basin by sliding it down over 2 pre-installed bolts.
6. Attach bottle opener (part I) to main basing using 2pcs 5/32" X 1/2" screws. Tighten with a Phillips screwdriver.
7. Attach 2pcs lid handles (part F) to cooler lid by using 2pcs 5/32 X1/2" screws (part G) Tighten with a Phillips screwdriver.
8. Clean inside of cooler completely with soft dry towel. Place cooler lid ( part E) on top of main basin (A). Your cooler is now ready for use.