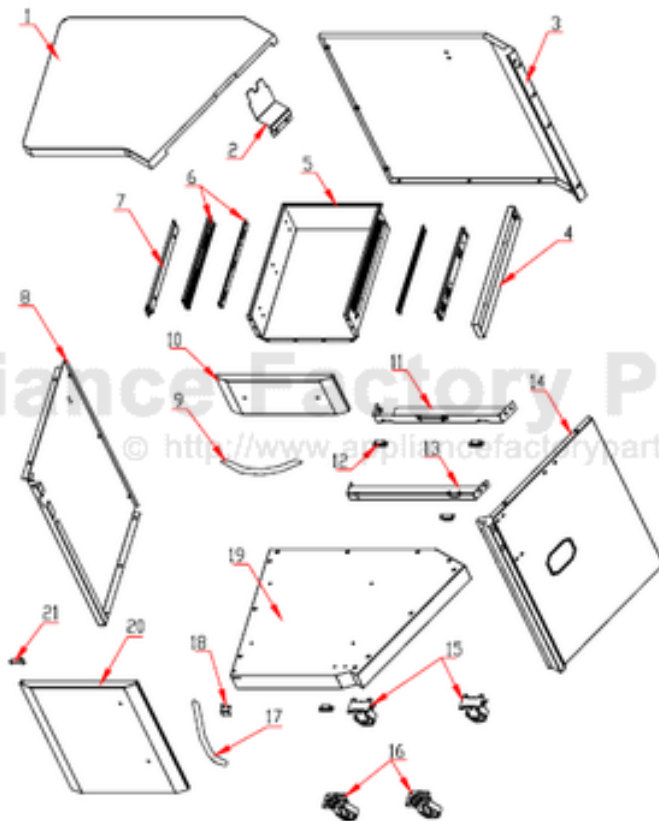


This Owner's Manual is provided and hosted by [Appliance Factory Parts](http://www.appliancefactoryparts.com).



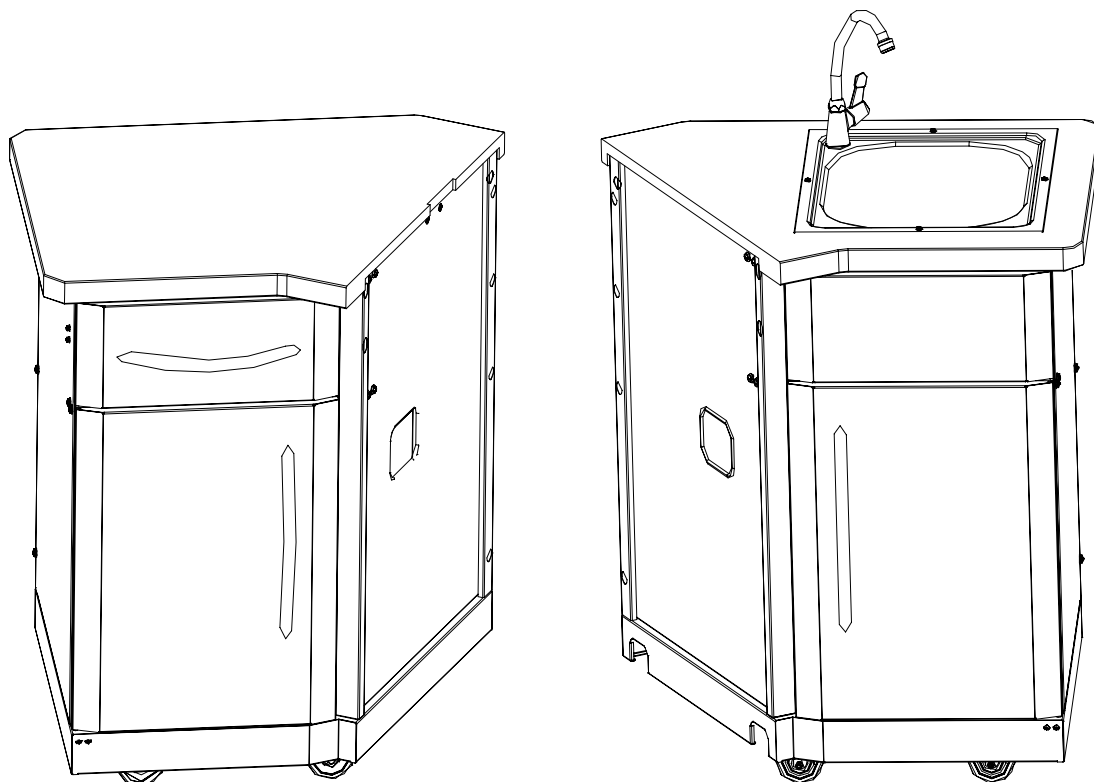
# Permasteel PG-SC01-1 Owner's Manual

[Shop genuine replacement parts for Permasteel  
PG-SC01-1](#)



[Find Your Permasteel Other Parts - Select From 22 Models](#)

----- Manual continues below -----



**STAINLESS STEEL SIDE CABINETS WITH SINK  
USER'S MANUAL**

**MODEL NUMBER: PS-SC01**

**CUSTOMER SERVICE: (888)-287-0735**

**Model Number: PG-SC01**  
**PermaSteel Stainless Steel Side Cabinets With Sink**

Thank you for your purchase of our Stainless Steel Side Cabinets. We sincerely wish you will enjoy using our fine products.

Please read this User's Manual in its entirety before using the grill. Some parts of this grill may have sharp edges. Please wear suitable protective gloves.

We warrant to the original consumer purchaser ("Purchaser") of the PermaSteel Stainless Steel Side Cabinets ("Product") that each Product shall be free from defects in workmanship and materials for a period of the years listed below from the date of original purchase. Our obligation under this warranty shall be limited to repair or replacement of, or adequate compensation for, the Product, at the option of us, during the warranty period. Our liability shall not extend beyond repair or replacement, or the cost equivalent thereto.

This warranty does not cover Product that have been altered or damaged due to: normal wear, rust, abuse, improper maintenance, improper use, disassembly of parts and/or attempted repair by anyone other than an authorized employee of Permasteel, Inc. This warranty does not cover surface scratches, rust or heat damage to the finish, which is considered normal wear.

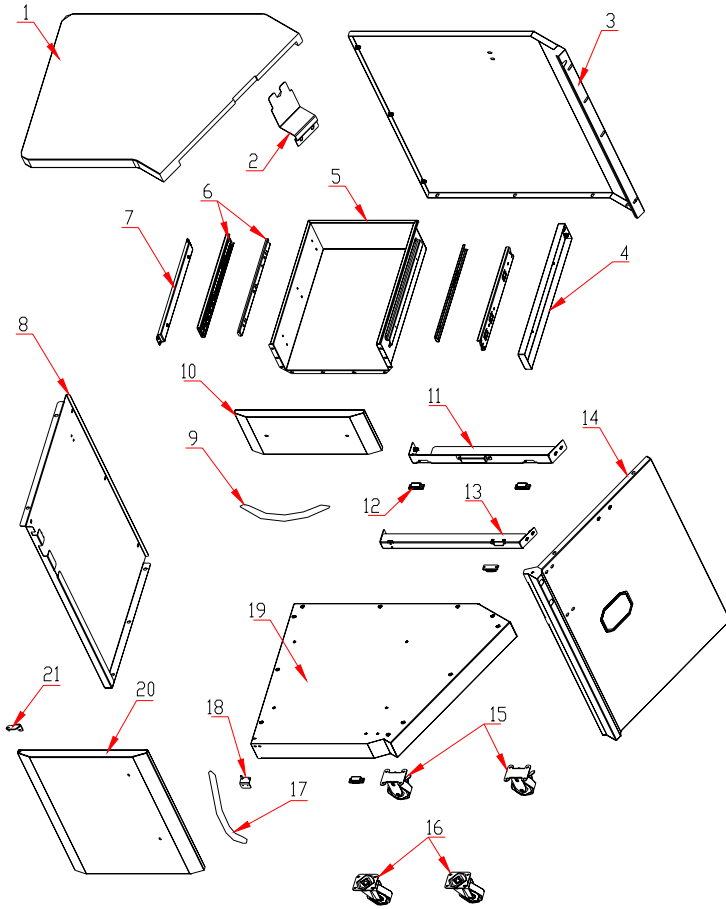
The warranty period of the years listed below shall not be extended or renewed by the repair or replacement of, or compensation for, the Product. If your Product is defective or otherwise requires service or parts, please first call PermaSteel Customer Service toll-free at (888)-287-0735, between 8:00 a.m. and 5:00 p.m., PST. Please tell us which model you purchased, the date of purchase, and the problem with your Product. We will use our very best efforts to honor this warranty, and repair, replace or compensate you for your Product through your original place of purchase. A copy of your original purchase receipt must accompany your service request.

<u>Component</u>	<u>Warranty Period:</u>
All Stainless steel Parts:	1 Year
Granite countertop:	1 Year

**LIMITATION OF REMEDIES AND LIABILITY**

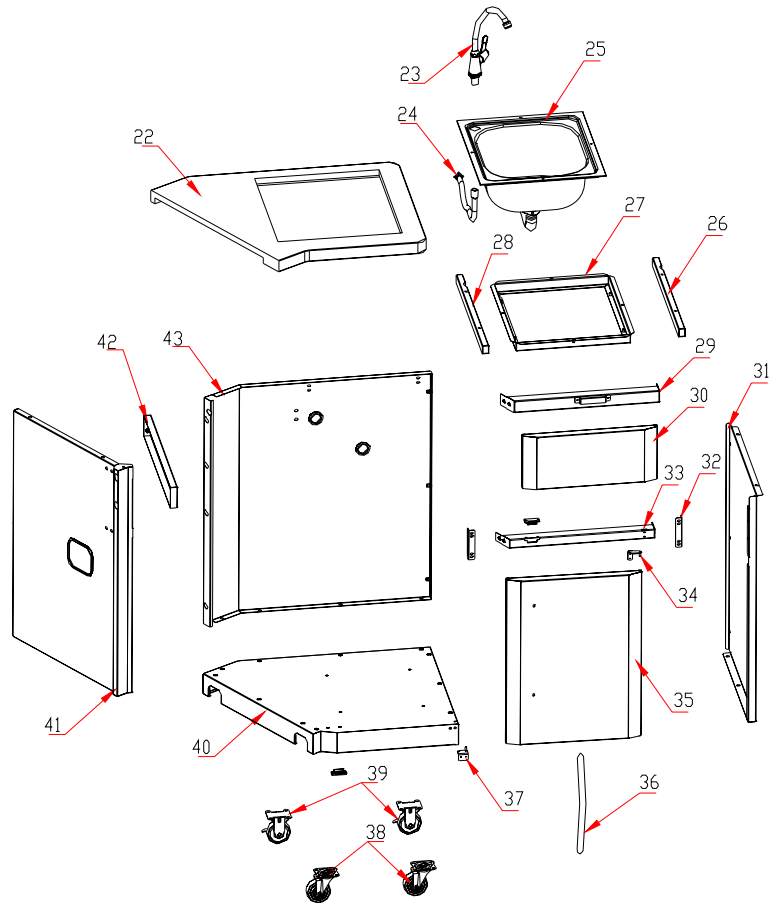
We shall not be liable for any incidental or consequential damages for breach of any express or implied warranty on its Product. Except to the extent prohibited by applicable law, any implied warranty or merchantability or fitness for a particular purpose on this Product shall be limited to the duration of the above warranty. Neither us nor anyone else who has been involved in the creation, production, or delivery of the Product shall be liable for damages of any type, including but not limited to any lost profits, lost savings, loss of anticipated benefits, or other incidental or consequential damages which may arise out of the purchase, use, or inability to use the Product, whether arising out of contract, negligence, strict tort, or under any warranty, or otherwise, even if you have been advised of the possibility of such damage or any other claim by any other party. Our liability for any breach of warranty shall be limited to repair or replacement of the defective part or parts as described above. Some states do not allow the exclusion or limitation of incidental or consequential damages, so the above limitation or exclusion may not apply to you. The above warranty gives you specific legal rights, and you may have other rights which vary from state to state.

# 1. PARTS LIST



REF#	Parts of Left Cabinet
1	Left CounterTop
2	Motor Bracket
3	Left Back Panel
4	Drawer Transom
5	Drawer Seat
6	Sliding Bars
7	Sliding Bar Bracket
8	Left Side Panel
9	Drawer Handle
10	Drawer Front Panel
11	Left Cross Bar
12	Door Magnets
13	Left Door Bracket
14	Right Side Panel
15	Casters with Brake
16	Casters without Brake
17	Door Handle
18	Left Lower Door Hinge
19	Left Bottom Panel
20	Left Door
21	Left Upper Door Hinge

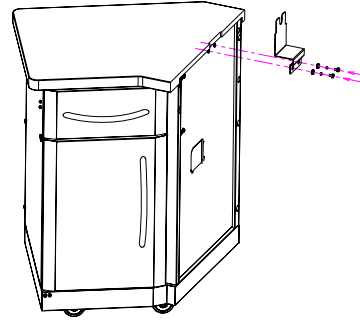
REF#	Parts of Right Cabinet
22	Right CounterTop
23	Water Faucet
24	Inlet Hose
25	Sink
26	Right Sink Bracket
27	Sink Seat
28	Left Sink Bracket
29	Right Corss Bar
30	Right Front Panel
31	Right Side Panel
32	Drawer Front Panel
33	Right Door Bracket
34	Right Upper Door Hinge
35	Right Door
36	Right Door Handle
37	Right Lower Door Hinge
38	Casters without Brake
39	Casters with Brake
40	Right Bottom Panel
41	Left Side Panel
42	Right Drawer Transom
43	Right Back Panel



## 2. ASSEMBLE STEPS

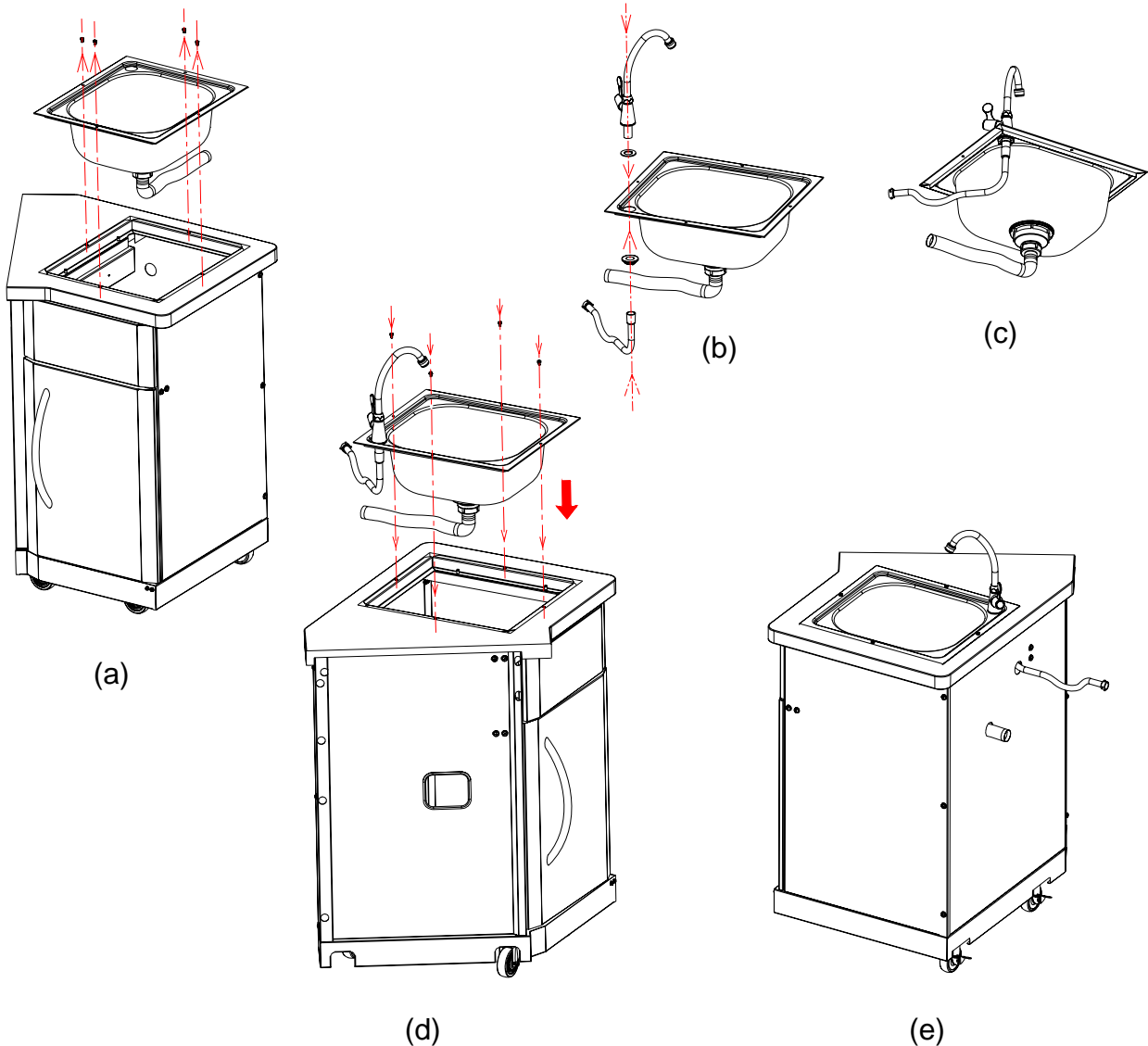
### Step 1: ATTACH MOTOR BRACKET TO LEFT CABINET

Take out the motor bracket box from the drawer of left side cabinet, use two 1/4-20x1/2" screws (provide with motor bracket) to attach motor bracket on the left side cabinet.



### Step 2: ATTACH SINK TO RIGHT CABINET

- 1) Unscrew the four setscrews of sink, and remove the sink from right cabinet see figure (a).
- 2) Unpack the faucet and inlet water hose from carton.
- 3) Insert the faucet through faucet sink hole and attach with plastic nut see figure (b).
- 4) Attach the inlet water hose to treaded end of faucet under sink by screwing it in counterclockwise see figure (c).
- 5) Place sink onto counter top and attach with four setscrews see figure (d).
- 6) Place the inlet and outlet hoses through the holes on back panel, see figure (e).



### 3. OPERATION GUIDE

#### For your safety:

- Do not place the cabinets on a hill.
- Place the cabinets on a flat and clear area. When they are in the desired location, lock the two caster brakes in the back for safe operation.
- NEVER let children play near the cabinets, they may bump their head on the corner and cause bodily injury.
- Do not expose the cabinets to rain or splash with water.
- Do not store any gas tank inside the cabinets, including spare tank or empty tank.

### 4. CARE & MAINTENANCE

#### ▪ **STAINLESS STEEL CLEANING**

The side cabinets are made of stainless steel. There are many different stainless steel cleaners available. Always use the mildest cleaners first, scrubbing in the direction of the grain. To touch up noticeable scratches, sand very lightly with dry 100 grit emery papers in the direction of the grain. Specks of grease water can gather on the surfaces of the stainless steel and bake by the hot sun onto the surface and give the appearance of rust. Use an abrasive pad in conjunction with a stainless steel cleaner to remove, scrubbing in the direction of the grain.

#### ▪ **GRANITE MAINTENANCE**

The cabinets are equipped with a granite countertop, to protect granite countertops against stains and discoloration, use a high quality penetrating sealant made specifically for granite. The sealant should be applied periodically throughout the year.

For standard maintenance on granite countertops, wipe with warm water or mild soapy water. Cleaners made specifically for cleaning granite may be used as necessary. Do not use vinegar, cleaners that contain acid, abrasive cleaners, or furniture polish. We suggest the following routine care:

- Clean up spills immediately;
- Dust with an untreated cloth;
- Use coasters;
- Keep planters off the surface;
- Always keep covered when not in use.

#### ▪ **STORAGE**

- 1) Clean the cabinets, and make sure the attached rubbish bucket is clean and dry.
- 2) Store them indoors when not in use, in a clean and dry area.
- 3) Put on a vinyl cover. (available separately)

*Distributed by : Permasteel, Inc.*

*14231 Fern Avenue, Building 10, Chino, CA 91710*

*Customer Service: (888)-287-0735*

*Email: Service@permasteel.net*