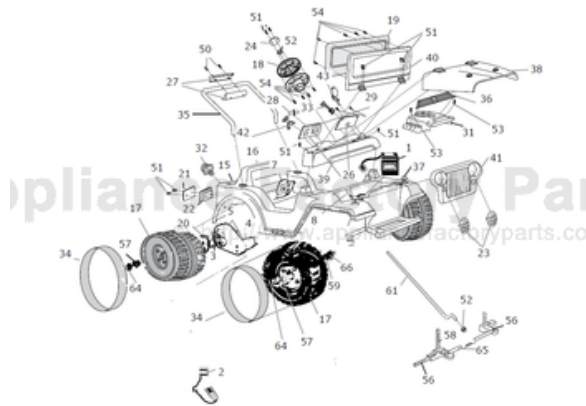


This Owner's Manual is provided and hosted by Appliance Factory Parts.



FISHER PRICE X2248 Owner's Manual

[Shop genuine replacement parts for FISHER PRICE
X2248](#)



[Find Your FISHER PRICE Ride On Parts - Select From 999 Models](#)

----- Manual continues below -----

