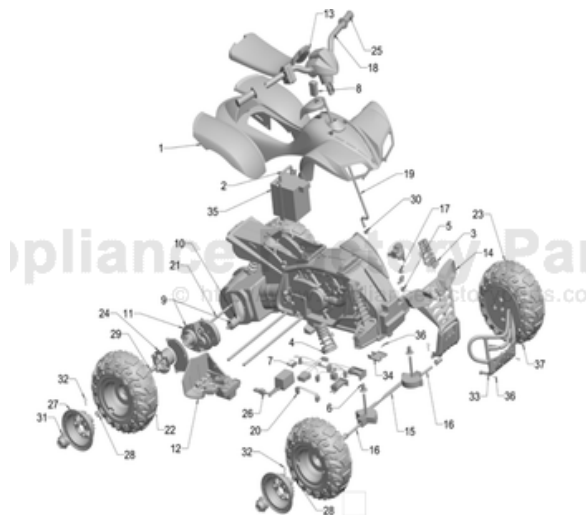


This Owner's Manual is provided and hosted by [Appliance Factory Parts](#).



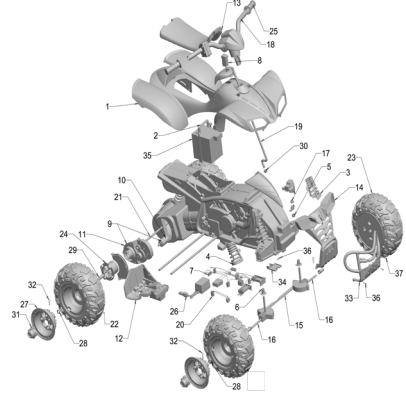
FISHER PRICE W6211 Owner's Manual

[Shop genuine replacement parts for FISHER PRICE
W6211](#)



[Find Your FISHER PRICE Ride On Parts - Select From 999 Models](#)

----- Manual continues below -----



W6211 Hot Wheels KFX PW Advanced	
Age Range:	3 and up
Weight Limit:	65 lbs
Surfaces:	Ultimate Terrain
Speed:	2.5 Mph Forward/Reverse 5.0 Mph Forward
Colors:	Black Body/Black Wheels
Intr:	2012
Suggested Retail:	\$349.99
Box Dimensions:	19.6"x25.2"x40.7" - 55lbs
Warranty:	One Year Vehicle Six Months Battery



ITEM	PART #	DESCRIPTION	QTY	ITEM	PART #	DESCRIPTION	QTY
1	N/A	BODY	1 EA	27	W4715-6459	HUBCAP	4 EA
2	B9272-2419	BATTERY RETAINER	1 EA	28	0801-0196	7/16 FLAT WASHER	7 EA
3	N/A	LEFT SPRING COVER	1 EA	29	73610-2689	BUSHING .437 LONG BLACK	2 EA
4	N/A	RIGHT SPRING COVER	1 EA	30	00801-1621	STEERING COLUMN CAP.437	1 EA
5	J8472-2639	BUSHING-UPPER	2 EA	31	W4715-6969	CENTER HUBCAP	4 EA
6	J8472-2649	BUSHING-LOWER	2 EA	32	00805-0116	3/8" *16 LOCK NUT	4 EA
7	P5066-9799	HARNES ASSY.*	1 EA	33	W4715-6259	BRUSH GUARD	1 EA
8	00801-1773	CONTROL SWITCH F/R	1 EA	34	W4716-2859	STEERING COLUMN PLATE	1 EA
9	00968-2912	# 7R MOTOR GEARBOX ASSY*	2 EA	35	00801-1869	12V BATTERY	1 EA
10	00968-2717	# 7R MOTOR PINION*	2 EA	36	0912-8001	8 X 3/4" SCREW	4 EA
11	00968-2820	# 7R GEARBOX*	2 EA				
12	3600-1030	FOOTBOARD ASSY.	1 EA				
13	W5540-9169	SEAT	1 EA				
14	W5540-9349	FRONT CLIP	1 EA	00801-1567	Wrench 9/16" (Assembly Tool)	1 EA	
15	N/A	STEERING LINKAGE*	1 EA	00801-2039	FOOTSWITCH-PLUNGER TYPE	1 EA	
16	P5066-4519	FRONT AXLE	2 EA	W4716-0920	OWNERS MANUAL	1 EA	
17	0801-0226	.437 RETAINER	2 EA	W4716-9379	PARTS BAG	1 EA	
18	W5540-9729	HANDLEBAR ASSY /HARNES	1 EA	P5066-9289	HARDWARE BAG	1 EA	
19	SEE #18	STEERING COLUMN*	1 EA	Z4287-9723E	PC BOARD*	1 EA	
20	P5066-9659	Turbo Switch W/Wiring Harness	1 EA	W4716-0321	LABEL SHEET	1 EA	
21	P5066-4508	REAR AXLE	1 EA	00801-0697	SWITCH SIGNAL LUX - 2 PRONG	2 EA	
22	B9272-2269	REAR WHEEL	2 EA	W5540-2149	SWITCH COVER	1EA	
23	B9272-2339	FRONT WHEEL	2 EA	W4716-6359	FAIRING	1EA	
24	74460-2249	DRIVER	2 EA	W4715-6259	BRUSH BAR	1EA	
25	W5540-2439	HAND GRIP	2 EA				
26	00801-1778	12V CHARGER W/PROBE	1 EA				

Parts Not Shown	
Wrench 9/16" (Assembly Tool)	1 EA
FOOTSWITCH-PLUNGER TYPE	1 EA
OWNERS MANUAL	1 EA
PARTS BAG	1 EA
HARDWARE BAG	1 EA
PC BOARD*	1 EA
LABEL SHEET	1 EA
SWITCH SIGNAL LUX - 2 PRONG	2 EA
SWITCH COVER	1EA
FAIRING	1EA
BRUSH BAR	1EA

*When repairing parts for warranty, please refer to Additional Labor Rates under Reference Material on the B2B
Bold and underlined parts are to be purchased and installed by Service Centers only. These items may not be sold directly to consumers by Service Centers or Fisher-Price.