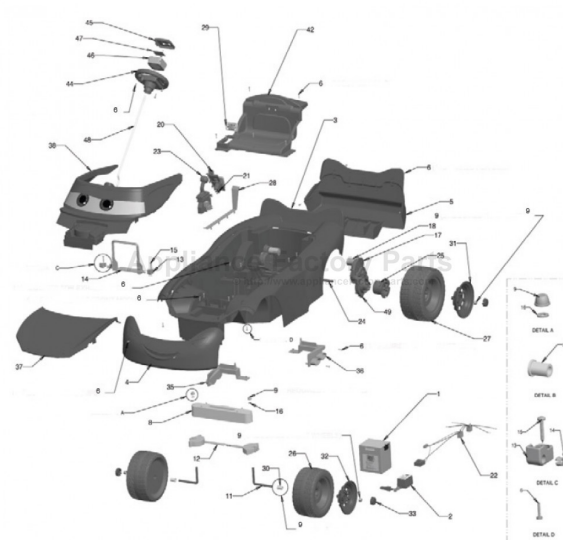


This Owner's Manual is provided and hosted by [Appliance Factory Parts](#).



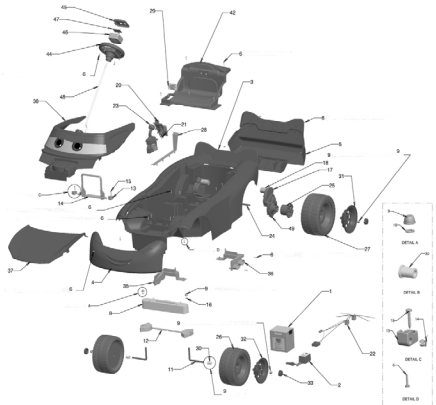
FISHER PRICE H8256-9991 Owner's Manual

[Shop genuine replacement parts for FISHER PRICE
H8256-9991](#)



[Find Your FISHER PRICE Ride On Parts - Select From 999 Models](#)

----- Manual continues below -----



H8256-9991
LIGHTING MCQUEEN
12 VOLT ADVANCED SERIES

Age Range: 3-7 Years
 Weight Limit: 65 lbs.
 Surfaces: Hard and Grass
 Speed: 2.5 MPH Forward/Reverse
 5.0 MPH Forward
 Colors: Red Body, Black Wheels
 Intro: 2006
 Suggested Retail: \$209.99
 Box Dimensions: 22x34x60
 Warranty: One Year Vehicle
 Six Months Battery



| Item | Part Number | Description | QTY | Item | Part Number | Description | QTY | |
|------|--------------------------|-------------------------------------|-----------------|------|------------------|--------------------------|--------------------------------|-----------------|
| 1 | 00801-0638 | 12V BATTERY | 1 | 42 | H8256-9309 | SEAT | 1 | |
| 2 | 00801-0972 | 12V CHARGER W/PROBE | 1 | 44 | 3800-7802 | STEERING WHEEL ASSEMBLY | 1 | |
| 3 | N/A | BODY | 1 | 45 | H8256-2379 | STEERING WHEEL COVER | 1 | |
| 4 | 3800-8089 | FRONT BUMP W/LABEL | 1 | 46 | H8256-9559 | SOUNDBOX ASSEMBLY | 1 | |
| 5 | N/A | REAR BUMPER | 1 | 47 | N/A | ASSY. BATTERY DOOR | 1 | |
| 6 | 0912-8001 | #8 X 3/4 PH PLAS SCREW | 28 | 48 | H8256-4239 | STEERING COLUMN | 1 | |
| 8 | H8256-2019 | MODULE, FRONT | 1 | | <u>49</u> | <u>00968-2802</u> | <u>GEARBOX ASSEMBLY</u> | <u>1</u> |
| 9 | 0801-0226 | .437 RETAINER - PALNUT | 6 | | | | | |
| 11 | H8256-4509 | FRONT AXLE | 2 | | | | | |
| 12 | H8256-9419 | ASSY STEERING LINKAGE | 1 | | | | | |
| 13 | N/A | RETAINER PIVOT | 2 | | | | | |
| 14 | 3800-7809 | BATTERY RETAINER | 1 | | | | | |
| 15 | N/A | #12 X 1.25 SCREW | 2 | | | | | |
| 16 | 00801-1337 | 1/4" FLAT WASHER | 2 | | | | | |
| 17 | <u>00968-2912</u> | <u>MOTOR/GEARBOX ASSY</u> | <u>1</u> | | | | | |
| 18 | <u>00968-2702</u> | <u>MOTOR/PIGION ASSY</u> | <u>1</u> | | | | | |
| 20 | H8256-9389 | ASSEMBLY FOOTBOARD | 1 | | | | | |
| 21 | <u>00801-0933</u> | <u>FTSWITCH-PLUNGER TYPE</u> | <u>1</u> | | | | | |
| 22 | <u>H8256-9799</u> | <u>MAIN WIRING HARNESS</u> | <u>1</u> | | | | | |
| 23 | H8256-9239 | SHIFTER | 1 | | | | | |
| 24 | H8256-4519 | REAR AXLE | 1 | | | | | |
| 25 | 74460-2249 | DRIVER | 2 | | | | | |
| 26 | H8256-2459 | FRONT WHEEL | 2 | | | | | |
| 27 | H8256-2469 | REAR WHEEL | 2 | | | | | |
| 28 | H8256-2279 | WIRE COVER | 1 | | | | | |
| 29 | 00801-1518 | PW EMBLEM | 1 | | | | | |
| 30 | 73610-2689 | BUSHING, .437 LONG | 1 | | | | | |
| 31 | H8256-2289 | REAR WHEEL COVER | 2 | | | | | |
| 32 | H8256-2579 | FRONT WHEEL COVER | 2 | | | | | |
| 33 | H8256-2589 | HUBCAP CENTER | 4 | | | | | |
| 35 | H8256-2169 | EXHAUST PIPE, RIGHT | 1 | | | | | |
| 36 | H8256-2069 | EXHAUST PIPE, LEFT | 1 | | | | | |
| 37 | 3800-8102 | HOOD W/LABEL | 1 | | | | | |
| 38 | H8256-9409 | ASSY CAB W/EYES & W/SHLD | 1 | | | | | |

PARTS NOT SHOWN

| Part Number | Description | QTY |
|--------------------------|--------------------------------------|-----------------|
| H8256-0300 | MAIN DECAL (#1-12) | 1 |
| H8256-0920 | OWNERS MANUAL | 1 |
| H8256-9249 | LARGE PARTS BAG | 1 |
| H8256-9289 | HARDWARE BAG | 1 |
| 00801-1567 | ASSEMBLY TOOL | 1 |
| 0801-0196 | 7/16 WASHER | 2 |
| 00905-0116 | 3/8" #16 Lock nut | 2 |
| H8256-4439 | CROSS BAR LOWER | 1 |
| N/A | GEARBOX COVER | 1 |
| N/A | WINDSHIELD (SEE PART 38) | 1 |
| N/A | WINDSHIELD VISOR | 1 |
| 0801-0604 | .354 RETAINER-PALNUT | 3 |
| 3800-7424 | CABLE TIE | 1 |
| <u>00801-0923</u> | <u>SWITCH CONTROL-SHIFTER</u> | <u>1</u> |

Bold and Underlined parts are to be purchased and installed by Service Centers only. These may not be sold directly to consumers by Service Centers or Fisher-Price.

Revised 10/5/2009 15:33