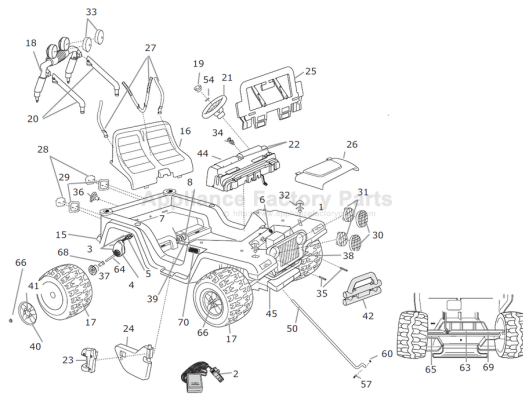


This Owner's Manual is provided and hosted by [Appliance Factory Parts](#).



FISHER PRICE H4805 Owner's Manual

[Shop genuine replacement parts for FISHER PRICE
H4805](#)



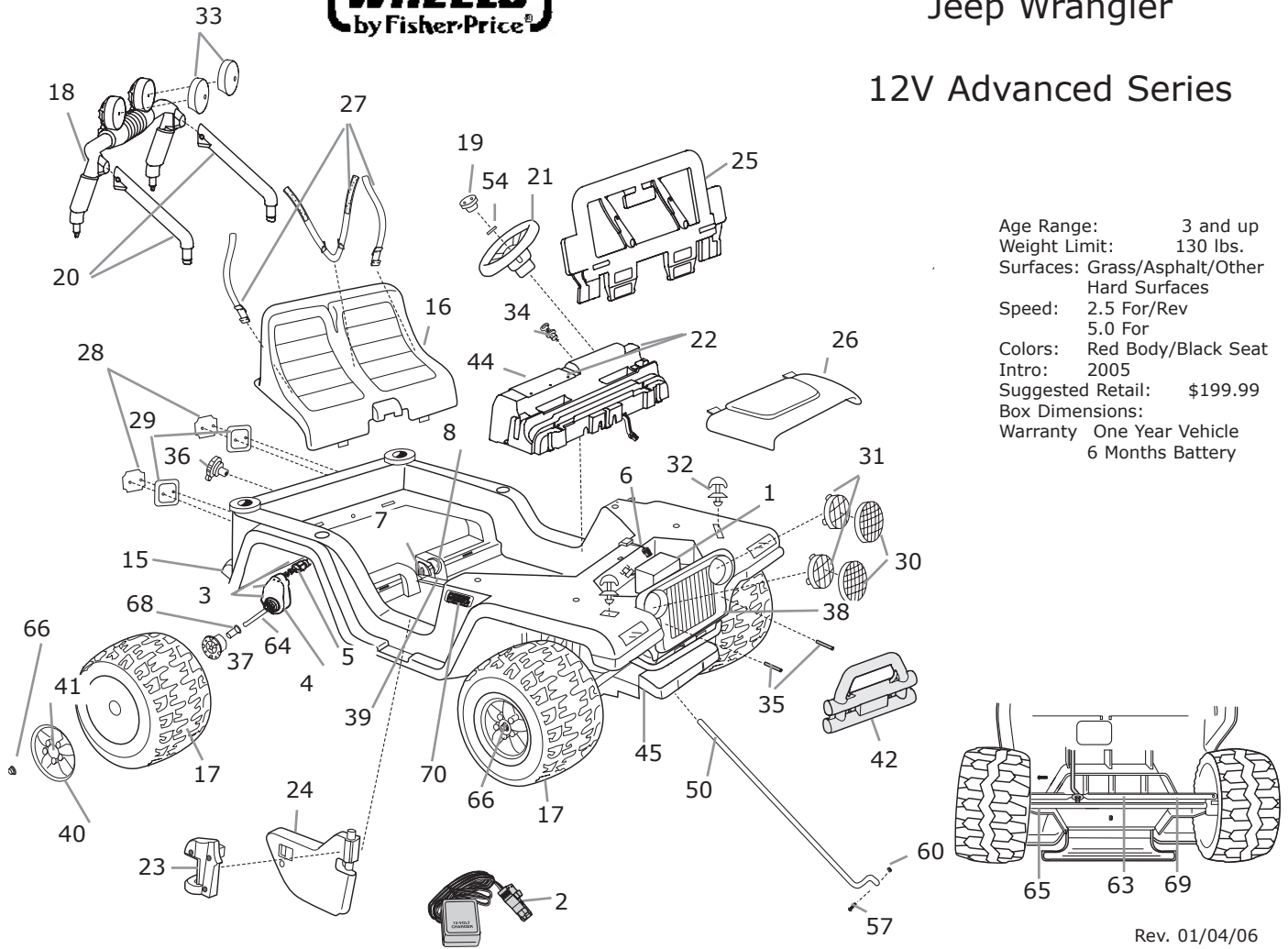
[Find Your FISHER PRICE Ride On Parts - Select From 999 Models](#)

----- Manual continues below -----



H4805 Jeep Wrangler

12V Advanced Series



Age Range: 3 and up
 Weight Limit: 130 lbs.
 Surfaces: Grass/Asphalt/Other Hard Surfaces
 Speed: 2.5 For/Rev
 5.0 For
 Colors: Red Body/Black Seat
 Intro: 2005
 Suggested Retail: \$199.99
 Box Dimensions:
 Warranty One Year Vehicle
 6 Months Battery

Rev. 01/04/06

Item No.	Description	Part No.	Qty.	No. Item No.	Description	No. Part No.	Qty.
Working / Electrical Parts							
1.	Single 12V Battery	00801-0638	1	32.	Hood Latch	B1501-9559	2
2.	Single 12V Charger	00801-0972	1	33.	Light Cover	C2390-2169	2
3.	Motor Grbx Assy.	00968-2912	2	34.	Key Assembly	74765-9369	1
4.	Gearbx W/out Mot	00968-2802	2	35.	Spacer	74460-2069	2
5.	Motor Pin Assy	00968-2702	2	36.	Gas Cap	75597-2089	1
6.	Main Harness Assy.	C2390-9799D	1	37.	Driver	74460-2249	2
7.	Shifter Harn Assy.	G3740-9100D	1	38.	Grill	75598-2849	1
8.	Shifter Assembly	74310-9239	1	39.	Channel Cover	B0155-2989	1
Plastic / Other Parts							
15.	Body	N/A	1	40.	Hubcap	B7659-2469	4
16.	Seat	H4803-2819	1	41.	Hubcap Cover	B7659-2679	4
17.	Wheel	B7659-2459	4	44.	**Radio	H4803-9309	1
18.	Sport Bar	B7659-2219	1	(Consumer Replaceable By Ordering Part 22 Dash w/ Radio)			
19.	Steering Wheel Cap	74550-2729	1	45.	Front Module	C2390-2019	1
20.	Sport Bar Support	B7659-2379	2	Hardware / Metal Parts			
21.	Steering Wheel	74440-2379	1	50.	Steering Column	H4803-4409	1
22.	Dash w/Radio	H4805-9259	1	51.	10 x 1/2 Screw	N/A	8
23.	Door Hinge (Right)	H4805-2129	1	(Order Hardware Bag)			
24.	Door (Left/Right)	3800-7690	2	52.	8 x 1 Screw	N/A	7
25.	Windshield	B7659-2619	1	(Order Hardware Bag)			
26.	Hood	C2390-2119	1	53.	10 x 1 Screw	N/A	11
27.	Seat Belt Set	74440-5349	1	(Order Hardware Bag)			
28.	Taillight Lens Set	73233-2279	1	54.	5/32 x 1 1/2 Pin N/A	00801-1565	1
29.	Taillight Housing Set	73233-2759	1	(Order Hardware Bag)			
30.	Lens Guard	74526-2339	2	55.	8 x 4 Screw	N/A	2
31.	Headlight Lens	74440-2879	2	(Order Hardware Bag)			
N/A = Not Available							
56. 8-32 x 1.625 Screw							
(Order Hardware Bag)							
57. 8 x 5/8 Screw							
N/A							
(Order Hardware Bag)							
58. 8 Acorn Lock Nut							
N/A							
(Order Hardware Bag)							
60. 8 Lock Nut							
N/A							
(Order Hardware Bag)							
62. 3/8 Washer							
1							
63. Steering Linkage Assy.							
B7659-9419D							
1							
64. Rear Axle							
B7659-4529							
1							
65. Front Axle							
B7659-4519							
2							
66. .437 Cap Nut							
0801-0226							
1							
68. 7/16 Round/Axle Bush							
74550-2689							
1							
69. Cross Bar							
75840-4409							
1							
70. PW Emblem							
0801-1503							
2							
Parts Not Shown							
Large Parts Bag							
H4805-9269							
1							
Hardware Bag							
H4803-9299							
1							
Owner's Manual							
H4807-0920							
1							
Decal Sheet							
H4805-0320							
1							
Switch Control (Shifter-Rock)							
00801-0923							
1							
Footswitch (Plunger Type)							
00801-0933							
1							
Door Hinge (Left)							
H4807-2139							
1							
Footboard Assembly							
74020-9839D							
1							
Radio Bezel							
H4803-2369							
1							
Battery Retainer							
H3427-7809							
1							
10 x 3/4 Screw							
N/A							
4							

Bold and Underlined parts are to be purchased and installed by Service Centers only. These items may not be sold directly to consumers by Service Centers or Fisher-Price. ** Service Centers: Please see Service Bulletin # 176 for replacement of FM Radio.