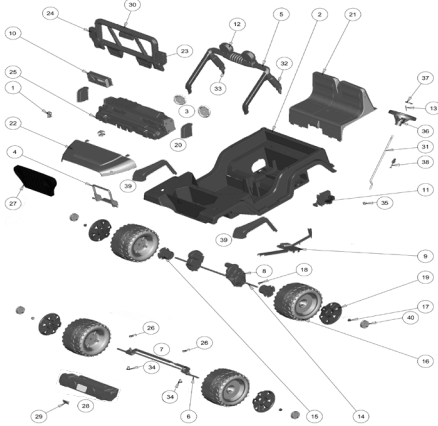


DRH62 TMNT Jeep Advanced Series	
Age Range:	3 years and up
Weight Limit:	130 lbs.
Surfaces:	Grass/Hard Surfaces
Speed:	2.5 mph For/ Low/Rev 5.0 mph Forward
Colors:	Black/Green Body w/Black Wheels
Intror:	2016
Suggested Retail:	\$304.99
Box Dimensions:	33.374"x18.374x18.374"
Warranty:	One Year Vehicle Six Months Battery



Item	Part #	Description	QTY	Item	Part #	Description	QTY
1	3900-4222	Hoodlatch for Jeep (DRH62)	2	29	00801-2045	Large Power Wheel Emblem	1
2	N/A	Body	1	30	BCK85-2359	Windshield for Jeep (black)	1
3	3900-4215	Light Bar Cap for Jeep (DRH62)	2	31	3900-2680	Steering Column for Jeep	1
4	3800-7809	Battery Retainer	1	32	3900-2492	Left Rollbar Support (2 pieces)(black)	1
5	3900-2703	Rollbar for Jeep (black)	1	33	3900-2491	Right Rollbar Support (2 pieces)(black)	1
6	3900-4208	Front Axle for Jeep (DRH62)	2	34	L2170-2699	Bushing - Lower	2
7	CBG65-9199	Steering Linkage for Jeep	1	35	00801-1620	Steering Column Cap (Fastener .354) Blk.	1
8	3900-3187	# 7R Motor Gearbox Assembly	2	36	3900-4216	Steering Wheel for Jeep (DRH62)	1
9	DRH62-9309	Footboard Assembly for Jeep (DRH62)	1	37	3900-4218	Steering Wheel Button for Jeep (DRH62)	1
10	CHM44-9909	Soundbox for Jeep	1	38	W9418-9369	Key for Jeep	1
11	3900-4221	Shifter for Jeep (DRH62)	1	39	3900-2888	Front Fender Set for Jeep (black)	1
12	3900-2513	Light Bar Front and Back (black)	1	40	3900-4212	Hubcap Cover for Jeep (DRH62)	4
13	00801-1565	5/32" x 1 1/2" Pin	1				
14	3900-2679	Rear Axle for Jeep	1				
15	L2170-2249	Wheel Driver	2				
16	BCK85-2659	Wheel for Jeep (black)	4				
17	00905-0116	Lock Nut	4				
18	74550-2689	7/16 Round/Axle Bushing (black)	2				
19	3900-4211	Hubcap for Jeep (DRH62)	4				
20	3900-4335	Dash Cap Bag (left & right)	2				
21	3900-4217	Seat for Jeep (DRH62)	1				
22	3900-4041	Hood for Jeep (DRH62)	1				
23	3900-2683	Mirror Set (left & right) (Black)	1				
24	See #23	See # 23	1				
25	3900-4195	Dash w/Soundbox for Jeep (DRH62)	1				
26	L2170-2689	Bushing - Upper	1				
27	3900-4219	Grille for Jeep (DRH62)	1				
28	3900-2685	Front Bumper w/PW Emblem	1				

Part #	Description	QTY
<u>00968-2821</u>	# 7R Gearbox	2
<u>3900-3719</u>	# 7R Motor Pinion	2
00801-4210	Hardware Bag for Jeep (DRH62)	1
3900-4220	Parts Bag for Jeep (DRH62)	1
3900-4213	Label Sheet for Jeep (DRH62)	1
3900-4214	Manual for Jeep (DRH62)	1
<u>BCK85-9799</u>	<u>Wiring Harness for Jeep (DRH62)</u>	<u>1</u>
00801-1869	12 Volt Battery	1
00801-1778	12 Volt Charger w/Probe	1
<u>00801-2039</u>	Footswitch (plunger type)	1
<u>00801-1775</u>	Switch Control (shifter/rocker type)	2

Bold and underlined parts are to be purchased and installed by Service Centers only. These items may not be sold directly to consumers by Service Centers or Fisher-Price.