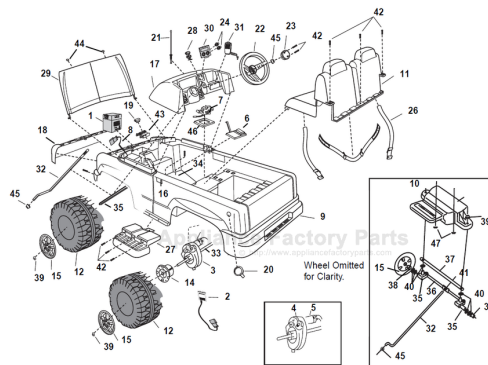


This Owner's Manual is provided and hosted by [Appliance Factory Parts](http://Appliance Factory Parts).



# FISHER PRICE B1476-9997 Owner's Manual

[Shop genuine replacement parts for FISHER PRICE  
B1476-9997](#)



[Find Your FISHER PRICE Ride On Parts - Select From 999 Models](#)

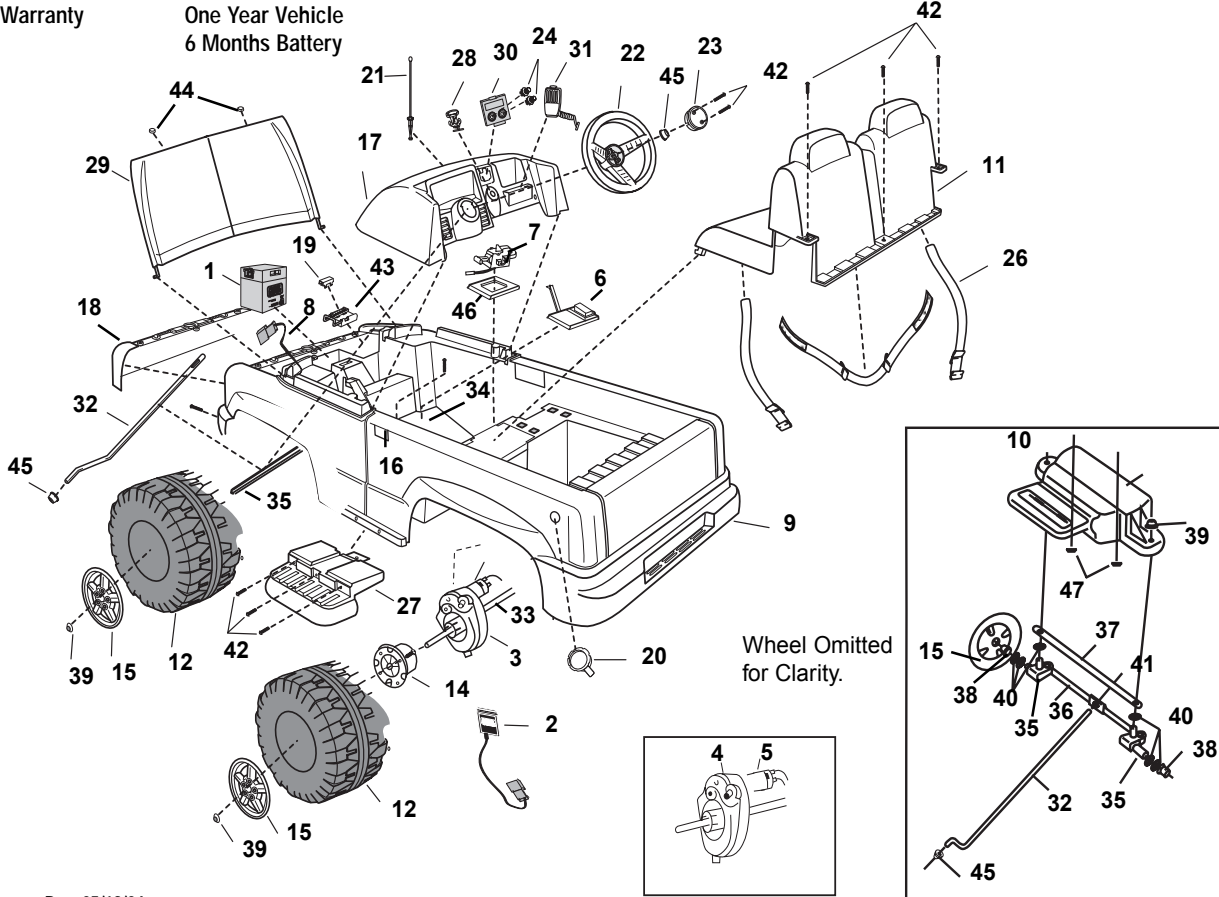
----- Manual continues below -----

For B1476 made after 3/24/2003. This vehicle body is **black**.

Age Range: 3-7 Yrs.  
 Weight Limit: 130 Lbs.  
 Surfaces: Hard and Grass  
 Speed: 2.5 MPH Forward/Reverse  
 5.0 MPH Forward  
 Colors: Black  
 Intro:  
 Suggested Retail:  
 Box Dimensions: 22x34x60  
 Warranty: One Year Vehicle  
 6 Months Battery

# B1476-9997 Chevy Silverado Truck

Advanced Series  
12 Volt



Item No.	Description	Part No.	Qty.	Item No.	Description	Part No.	Qty.	Item No.	Description	Part No.	Qty.
<b>Working / Electrical Parts</b>											
1	12V Battery	00801-0638	1	22	Steering Wheel	74440-2379	1	45	.354 cap nut	0801-0604	2
2	12 Volt Charger	00801-0972	1	23	Steering Wheel Cap	74550-2729	1	46	Shifter cover plate	74310-2239	1
3	<b>#7 Motor GearBox Assy.</b>	<b>00968-2910</b>	<b>2</b>	24	Dash Knob	74460-2199	2	47	Front Module Screws N/A	0801-0258	2
4	<b>#7 Gearbox</b>	<b>74310-9529</b>	<b>2</b>	26	Seat Belt Set	74310-5339	1				
5	<b>Motor w/Pinion</b>	<b>00968-2701</b>	<b>2</b>	27	Side Step (Set)	B1476-2159	1				
6	Footboard Assembly	B1476-9289	1	28	Key Housing	74765-9369	1				
7	Shifter Assembly	74310-9239	1	29	Hood Assembly, Black	3800-7196	1				
8	<b>Wiring Harness</b>	<b>74310-9799</b>	<b>1</b>	30	Knob Plate Bezel	75597-2529	1				
<b>Plastic / Other Parts</b>											
9	Vehicle Body (NA)	74310-2109	1	31	Microphone	75597-9489	1				
10	Front Module	74460-2019	1								
11	Seat, Silver	B1476-2209	1								
12	Wheel	74460-2459	1								
14	Driver (10 Rib)	74460-2249	2								
15	Hubcap	B1501-2579	4								
16	PW Emblem	74460-9069	1								
17	Cab, Black	3800-7195	1								
18	Bumper, Black	B1476-2679	1								
19	Battery Retainer Cap	74310-2519	1								
20	Gas Cap	75597-2089	1								
21	Antenna	B1476-2149	1								
<b>Hardware / Metal Parts</b>											
32	Steering Column	74310-4239	1								
33	Rear Axle	74310-4519	1								
34	Channel cover, Black	B1476-2379	1								
35	Front Axle	74440-4509	2								
36	Steering Linkage	74440-9419A	1								
37	Cross Bar	74460-4419	1								
38	Bushing 7/16" (Axle)	74550-2689	2								
39	.437 Cap Nut	0801-0226	6								
40	7/16" Washer	0801-0196	4								
41	Nylock Nut	0801-0601	2								
42	Screw 8 x 3/4"	0912-8001	12								
43	Battery Retainer Box Assy.	74020-9819	1								
44	T Lock Fastener	74310-2199	2								
<b>Parts Not Shown</b>											
Owner's Manual										B1476-0922	1
Large Parts Bag 2003										B1476-9249	1
Hardware Bag										74310-9279A	1
Decal Sheet										B1476-0350	1
Decal - Window										B1476-0320	1
<b>Footswitch</b>										<b>00801-0933</b>	<b>1</b>
Wire Clip										0801-0313	1
Grill										B1476-2139	1
Front Bumper Screws N/A (Order Hardware Bag)										0912-8007	2
<b>Control switch</b>										<b>00801-0923</b>	<b>1</b>

Updated 3/17/08

N/A = Not Available

Items in **bold & underlined** print are only to be ordered by a service center.