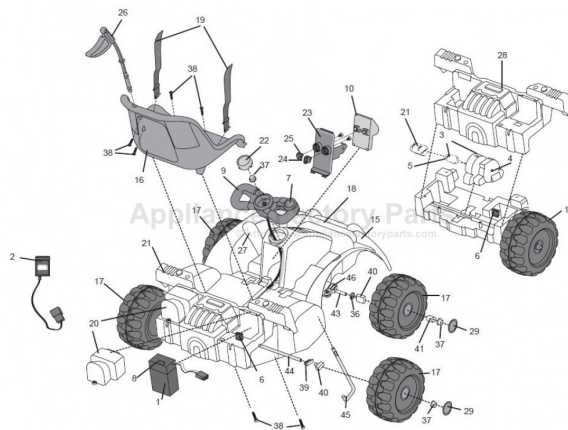


This Owner's Manual is provided and hosted by [Appliance Factory Parts](#).



FISHER PRICE B0263-9993 Owner's Manual

[Shop genuine replacement parts for FISHER PRICE
B0263-9993](#)



[Find Your FISHER PRICE Ride On Parts - Select From 999 Models](#)

----- Manual continues below -----

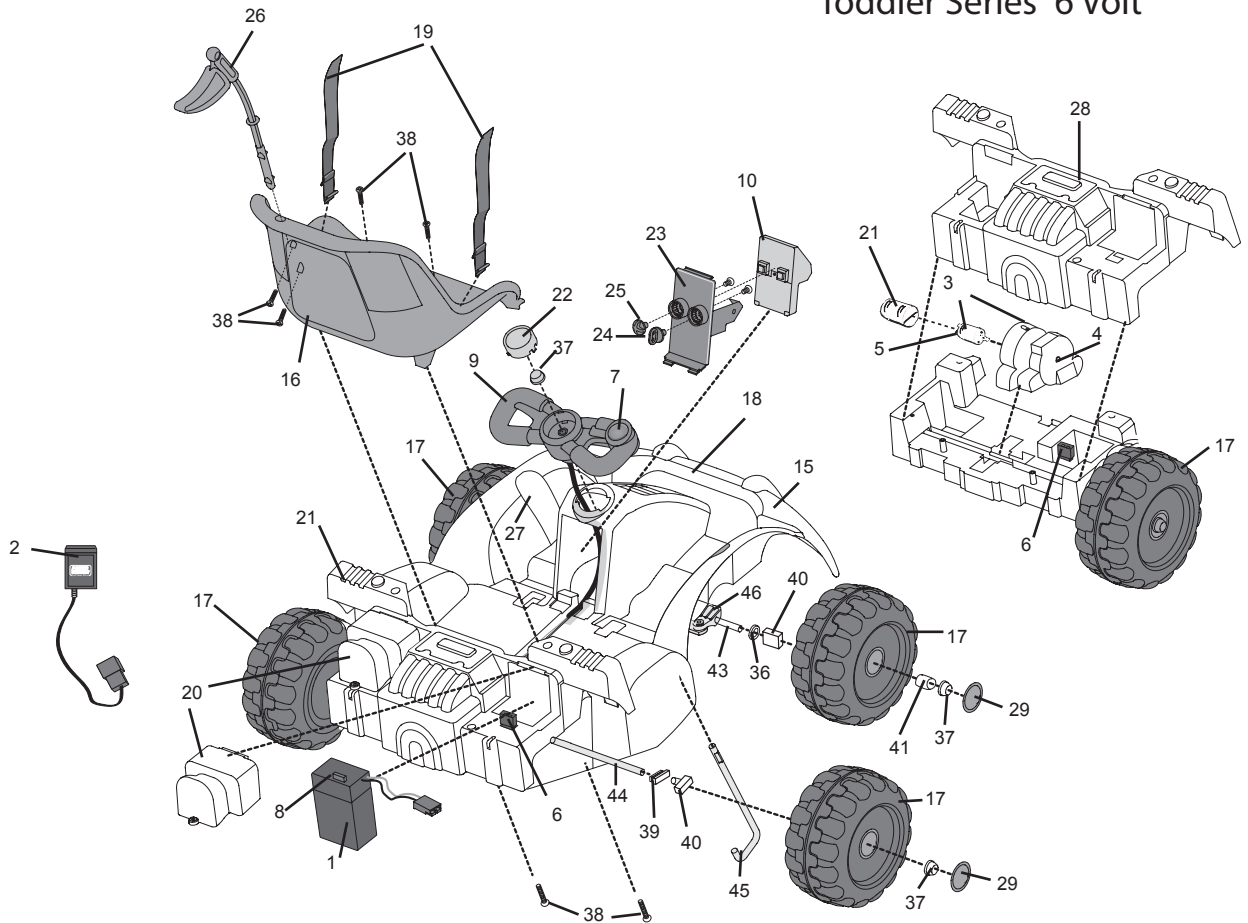
Age Range: 1 to 3 years
 Weight Limit: 40 Lbs
 Surfaces: Hard/Grass
 Speed: 2 mph forward
 Colors: Blue and Red
 Intro: 2002
 Suggested Retail: \$99.99
 Box Dimensions: 11.37 x 24.37 x 30.75
 Warranty



B0263-9993 Get Set Go! Kart TRU

Toddler Series 6 Volt

One Year Vehicle
 6 Months Battery



Item No.	Description	Part No.	Qty.	Item No.	Description	Part No.	Qty.	Item No.	Description	Part No.	Qty.
Working / Electrical Parts				28	V-Lever	78560-2419	1	Parts Not Shown			
1	Battery	0801-0336	1	29	Wheel Cover	B0263-2349	4	Parts Bag			
2	Charger	00801-0976	1	Hardware / Metal Parts				Hardware Parts Bag			
3	Motor Gearbox Assembly	00968-39001	1	36	Washer 5/16	0801-0253	2	Owners Manual			
4	Gearbox W/out Motor	00968-3800	1	37	.354 White Palnut	0801-0548	6	Main Decal Sheet			
5	Motor Pinion Assembly	00968-3700	1	38	8 x 3/4 screw	0912-8001	6	Small Decal Sheet			
6	Motor Harness	76790-9699	1	39	Rectangular Bushing w/o ext	74504-25492	1	6 x 3/8 screw			
7	Switch	00801-1222	1	40	Rectangular Bushing w ext	78560-2659	4				
8	Fuse	0801-0151	1	41	Bushing Retainer Keeper	78780-2129	4				
9	Steering Wheel W/Harness	B0263-9199	1	43	Front Axle	76790-4519	2				
10	Sound Box	76790-9539	1	44	Rear Axle	76790-4529	1				
Plastic / Other Parts				45	Steering Column	76790-4539	1				
15	Body N/A	3800-6892	1	46	Steering Linkage Assm.	3800-7042	1				
16	Seat Labled	3800-7041	1								
17	Wheel	76790-2119	4								
18	PW Emblem	74460-9069	1								
19	Seat Belt Set	75547-5519	1								
20	Rear Bumper Cover	76790-2139	2								
21	Motor Cover	76790-2159	1								
22	Steering Wheel Cap	B0263-2229	1								
23	Sound Box Cover	B0263-2239	1								
24	Key Knob	B0263-2249	1								
25	Sound Knob	B0263-2259	1								
26	Flag	B0263-2269	1								
27	Chassis Cap	B0263-2359	2								

Rev. 11/23/05

N/A = Not Available

Bold and Underlined parts are to be purchased and installed by Service Centers only. These items may not be sold directly to consumers by Service Centers or Fisher-Price.

B0263-9993

Get Set Go! Kart

TRU

Toddler Series 6 Volt

Age Range: 1 to 3 years
 Weight Limit: 40 Lbs
 Surfaces: Hard
 Speed: 1 mph forward
 Colors: Blue and Red
 Intro: 2002
 Suggested Retail: \$99.99
 Box Dimensions: 11.37 x 24.37 x 30.75
 Warranty:
 One Year Vehicle
 6 Months Battery



Item No.	Description	Part No.	Qty.	Item No.	Description	Part No.	Qty.	Item No.	Description	Part No.	Qty.
Large Parts Bag		B0263-9249	1								
	steering wheel cap	B0263-2229	1								
	soundbox cover	B0263-2239	1								
	key knob	B0263-2249	1								
	sound knob	b0263-2259	1								
	flag	B0263-2269	1								
	seatbelt set	75547-5519	2								
	hardware bag	76790-9269	1								
	soundbox	76790-9539	1								
Hardware Bag		76790-9269	1								
	Cap Nuts .354	0801-0548	2								
	Screws #8 x 3/4"	0912-8001	6								
	Fuses	0801-0151	2								
	Screw #6 x 3/8"	0801-0202	2								

Service Buttetin One

As of 5/21/03 the B0263 product requires no service bulletins. Please check www.B2B.com for future updates.

Refund Refernce Information

Retail Price \$99.99

80% \$79.99
 60% \$59.99
 40% \$40.00
 20% \$20.00

