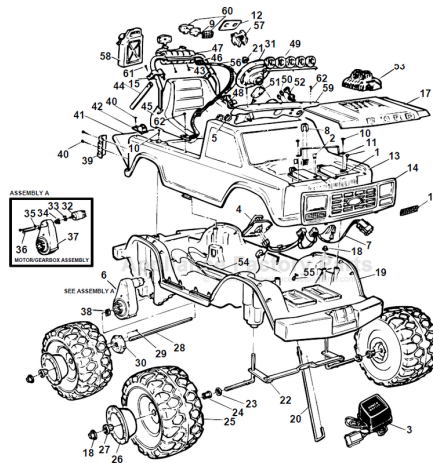


This Owner's Manual is provided and hosted by [Appliance Factory Parts](#).



FISHER PRICE 78640-86470 Owner's Manual

[Shop genuine replacement parts for FISHER PRICE
78640-86470](#)



[Find Your FISHER PRICE Ride On Parts - Select From 999 Models](#)

----- Manual continues below -----

Age Range: 3-7 Yrs.
 Weight Limit: 65 Lbs.
 Surfaces: Hard, Grass & Hills
 Speed: 2.5 / 5.0 MPH Forward
 2.5 MPH Reverse
 Colors: Black Body
 Yellow Trim
 Black Tires
 Flame Decals
 Intro: 1994
 Suggested Retail: \$189.99
 Warranty: 90 Days Vehicle
 6 Months Battery

78640-9993 / 86470 Monster Sound Bigfoot®

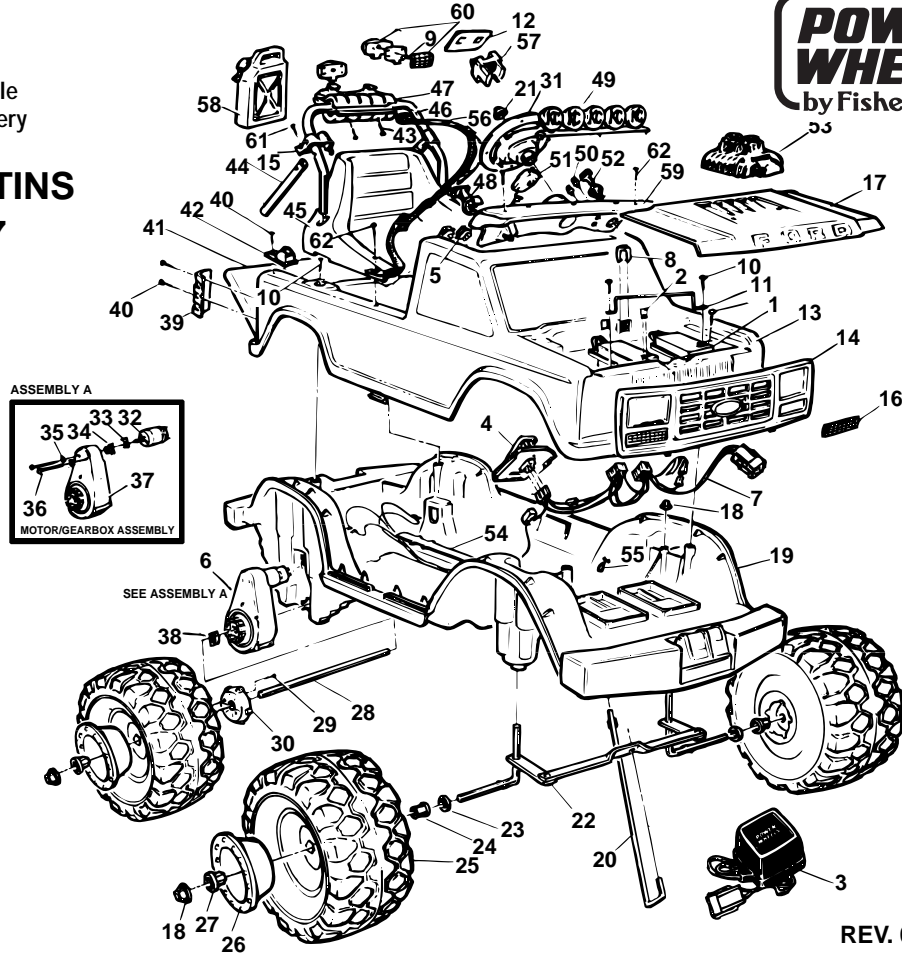
Youth Series

12 Volt



SERVICE BULLETINS 142, 144 & 147

This product is affected by the PW recall announced Oct 1998. Please confirm that the product is modified or remediated in accordance with policy.



REV. 07/16/03

| Item No. | Description | Part No. | Qty. | Item No. | Description | Part No. | Qty. | Item No. | Description | Part No. | Qty. |
|----------|-----------------------------------|-------------------|------|----------|---------------------------|-------------------|------|--|------------------------|------------|------|
| 1 | Battery | 00801-0712 | 2 | 26 | Hubcap | 74590-2579 | 4 | 51 | Microphone N/A | 78640-9479 | 1 |
| 2 | 30 amp Fuse N/A | 0801-0229 | 2 | 27 | Hex Bushing | 73233-2559 | 4 | 52 | Key/Housing Assembly | 74550-2439 | 1 |
| 3 | 12-Volt Charger | 00801-0973 | 1 | 28 | Rear Axle N/A | 78640-4519 | 1 | 53 | Supercharger N/A | 78670-2219 | 1 |
| 4 | * Footboard Assembly N/A | 73233-9159 | 1 | 29 | #10 x 1/2" Phillips Screw | 0801-0255 | 2 | 54 | Main Harness Cover N/A | 78471-2459 | 1 |
| 5 | (*) (**) Switch (Hi-Low/Fwd.-Rev) | 00801-0885 | 2 | 30 | Wheel Driver | 73233-2239 | 2 | 55 | Twist Lock Clip n/A | 78670-0100 | 1 |
| 6 | 3B Motor/Gearbox Assy. | 78640-0640 | 2 | 31 | ***Steering Wheel N/A | 76804-2739 | 1 | 56 | ***Seat Belt N/A | 78640-5339 | 1 |
| 7 | <u>*Wiring Harness N/A</u> | <u>78640-9719</u> | 1 | 32 | <u>Motor w/Pinion</u> | <u>74590-9539</u> | 2 | 57 | ***Sound Box N/A | 78640-9449 | 1 |
| 8 | Battery U-Clip N/A | 74570-2669 | 1 | 33 | D Lock Washer | 0801-0329 | 2 | 58 | Water Canister w/Cap | 78608-2239 | 1 |
| 9 | #6 x 1/2" Screw | 0801-0222 | 2 | 34 | Motor Driver Gear | 74550-2269 | 2 | 59 | ***Dash/Visor N/A | 78640-9359 | 1 |
| 10 | #8 x 7/8" Trusshead Screw | 0801-0228 | 6 | 35 | <u>Star Washer N/A</u> | <u>0801-0330</u> | 4 | 60 | KC Light/Guard Set | 73233-9219 | 1 |
| 11 | Battery Retainer N/A | 76181-4419 | 1 | 36 | <u>Motor Bolts</u> | <u>0801-0269</u> | 4 | 61 | #8 x 1" Screw | 0801-0224 | 2 |
| 12 | ***Steering Wheel Cov N/A | 73233-2729 | 1 | 37 | <u>3B Gearbox</u> | <u>74550-9279</u> | 2 | 62 | #10 x 1" Black Screw | 0801-0220 | 5 |
| 13 | ** Body (Upper) (N/A) | 78640-2109 | 1 | 38 | Spacer, Gearbox | 73233-2369 | 2 | PARTS NOT SHOWN | | | |
| 14 | Grill N/A | 78640-2129 | 1 | 39 | Taillight Set N/A | 78640-2279 | 1 | Decal Sheet (Windshield) N/A | 78640-6059 | 1 | |
| 15 | Roll-Bar Bracket Set | 73233-2179 | 1 | 40 | #8 x 1/2" Plascrow | 0801-0202 | 6 | Decals (KC Lights N/A) | 78640-6049 | 1 | |
| 16 | Parking Lens Set (N/A) | 78640-2759 | 1 | 41 | Tailgate (N/A) | 78640-2139 | 1 | Decal Sheet (Main) | 78640-0310 | 1 | |
| 17 | Hood N/A (no sub part avail.) | 78640-9119 | 1 | 42 | Roll-Bar Foot Set | 78640-2179 | 1 | Motor Shield N/A | 78670-2239 | 1 | |
| 18 | .437 Cap Nut (Black) | 0801-0214 | 6 | 43 | #6 x 1-1/2" Screw | 0801-0221 | 2 | Literature Bag N/A | 78640-9049 | 1 | |
| 19 | Body (Lower) (N/A) | 78640-2119 | 1 | 44 | Roll-Bar Support N/A | 78649-4219 | 2 | Bold and Underlined parts are to be purchased and installed by Service Centers only. These items may not be sold directly to consumers by Service Centers or Fisher-Price.. | | | |
| 20 | ***Steering Column N/A | 78640-4239 | 1 | 45 | Seat (Yellow) N/A | 78640-2309 | 1 | | | | |
| 21 | .354 Cap Nut (Black) | 0801-0215 | 1 | 46 | Roll-Bar N/A | 78640-4219 | 1 | | | | |
| 22 | Steering linkage N/A | 78640-4279 | 1 | 47 | KC Light Rack N/A | 74440-2059 | 1 | | | | |
| 23 | 7/16" Washer | 0801-0196 | 4 | 48 | Shift Lever | 74550-2229 | 1 | | | | |
| 24 | Round Bushing | 74550-2689 | 2 | 49 | KC Light Group N/A | 78640-9239 | 1 | | | | |
| 25 | Wheel | 78570-2469 | 4 | 50 | Radio Knobs | 74550-2719 | 2 | | | | |

*See Bulletin 142

**See Bulletin 144

***See Bulletin 147