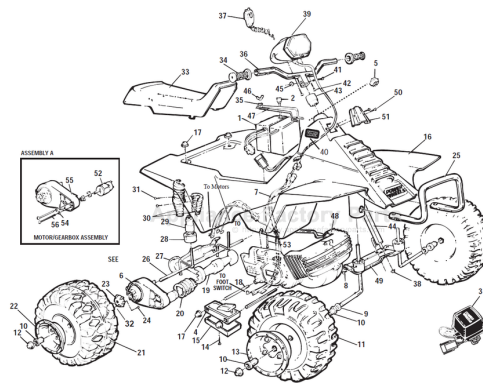


This Owner's Manual is provided and hosted by [Appliance Factory Parts](#).



# FISHER PRICE 78630-85440 Owner's Manual

[Shop genuine replacement parts for FISHER PRICE  
78630-85440](#)



[Find Your FISHER PRICE Ride On Parts - Select From 999 Models](#)

----- Manual continues below -----

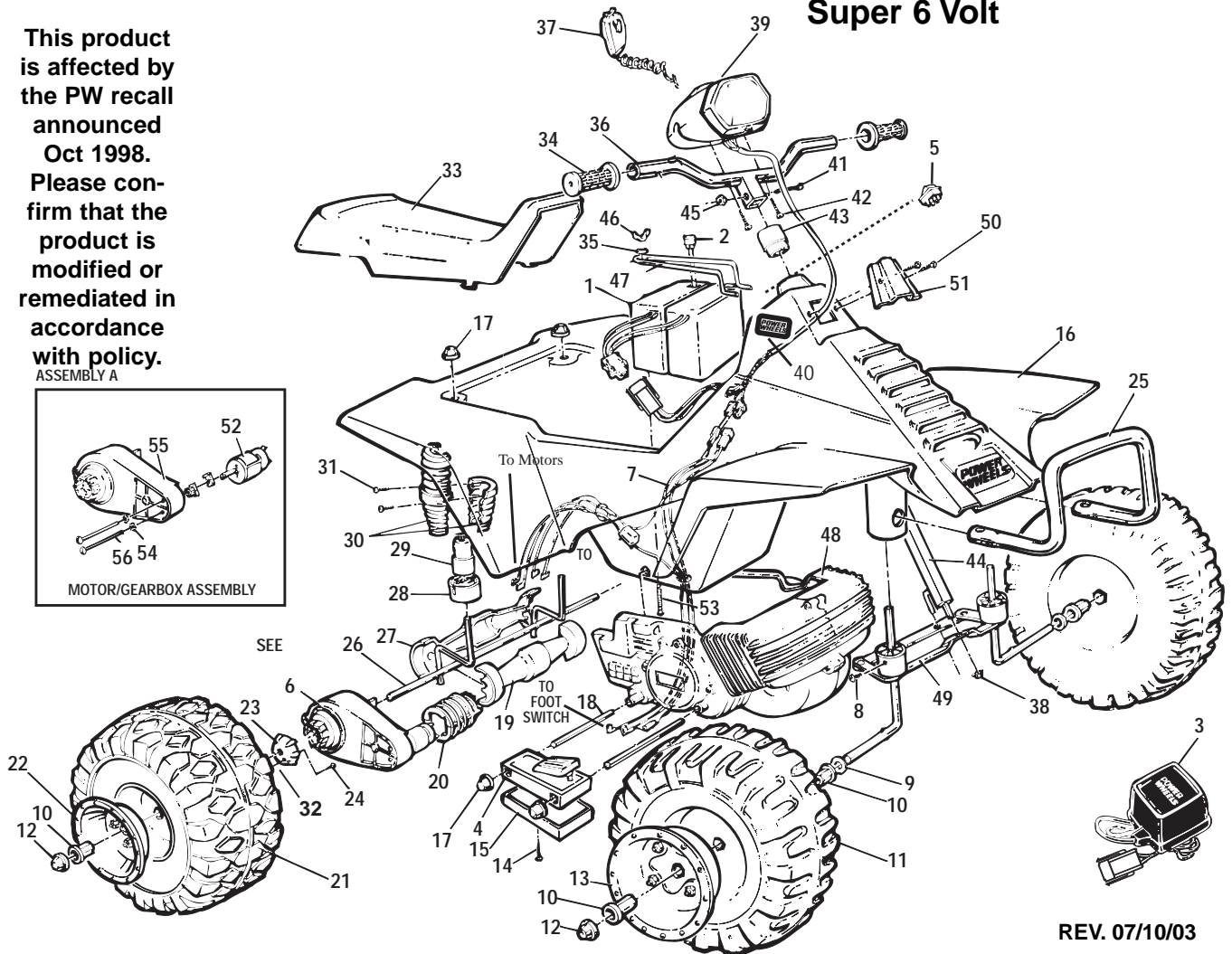
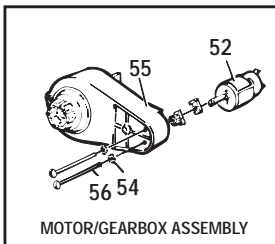
Age Range: 3-7 Yrs.  
 Weight Limit: 65 Lbs.  
 Surfaces: Hard, Grass & Carpet  
 Speed: 3.5 MPH  
 Intro: 1994  
 Warranty: 90 Days Vehicle  
 6 Months Battery

# 78630-9993 / 85440 SUZUKI® QUAD SPORT®

Super 6 Volt

This product is affected by the PW recall announced Oct 1998. Please confirm that the product is modified or remediated in accordance with policy.

ASSEMBLY A



REV. 07/10/03

Item No.	Description	Part No.	Qty.	Item No.	Description	Part No.	Qty.	Item No.	Description	Part No.	Qty.
1	Battery (Type H)	00801-0712	1	23	Driver	73233-2239	2	45	Lock Nut N/A	0801-0318	1
2	Therm fuse-no longer used	0801-0153	1	24	#10 x 1" Screw	0801-0220	4	46	Wing Nut N/A	0801-0317	1
3	Charger Super 6 Volt	0801-0973	1	25	Roll-Bar N/A	78630-9419	1	47	Battery Retainer	76262-4489	1
4	Footboard Assembly	76108-9159	1	26	Rear Axle Assembly N/A	76816-4539	1	48	False Moto sub Quad 95N/A	75560-2099	1
5	Control Switch	0801-0148	1	27	Axle Cover (Outside) N/A	76115-2169	2	49	Steering Linkage (N/A)	80055-0087	1
6	3B Motor/Gearbox Assy	74180-9519	2	28	Rear Post Bushing N/A	73233-2549	2	50	#8 x 1/2" Phillips Screw	0801-0202	2
7	<b>Wiring Harness N/A</b>	<b>78630-9799</b>	<b>1</b>	29	Rear Bushing w/Extension N/A	76262-2549	2	51	Cover Plate (N/A)	80001-0401	1
8	#10 x 1/2" Phillips Screw	0801-0255	2	30	Shock Set (Sub Ninja) N/A	74590-9789	2	52	<b>Motor W/Pinion</b>	<b>74580-9539</b>	<b>2</b>
9	7/16" Washer N/A	0801-0196	2	31	#6 x 1/2" Screw	0801-0222	4	53	Carriage Bolt (order hardware bag)	78475-9529A	1
10	Hex Bushing	73233-2559	6	32	Spacer (N/A)	76188-2419	2	54	<b>Star Washer N/A</b>	<b>0801-0330</b>	<b>4</b>
11	Front Wheel N/A	76266-2459	2	33	Seat sub Blue Quad 95N/A	75560-2819	1	55	<b>3B Gearbox</b>	<b>74550-9279</b>	<b>2</b>
12	.437 Cap Nut	0801-0214	4	34	Handgrip N/A	76115-2179	2	56	<b>Motor Bolts</b>	<b>0801-0269</b>	<b>4</b>
13	Front Hubcap	73233-2579	2	35	#10 Washer N/A	76822-4409	1	<b>PARTS NOT SHOWN</b>			
14	#8 x 2" Screw N/A	0801-0268	1	36	Handlebar N/A	80029-0034	1		Left Footrest N/A	76108-2179	1
15	Bottom Cover (Footbd N/A)	76108-2169	1	37	Microphone	73233-9479	1		Literature Bag (N/A)	80034-0521	1
16	Body (N/A)	78630-2109	1	38	Hat Cap	76262-4429	1		Switch Hole Cover N/A	76188-2449	1
17	.354 Cap Nut	0801-0215	6	39	Headlight Assy.	78630-9089	1		Decal Sheet N/A	80017-0295	1
18	Footboard Support Rod	76262-4439	2	40	Emblem Set	74540-9069	1				
19	Axle Cover (Inside) N/A	76115-2159	1	41	1" Bolt	76262-4459	1				
20	Motor Cover	76803-2489	2	42	#6 x 1-1/2" Screw	0801-0221	2				
21	Rear Wheel N/A	76188-2459	2	43	Steering Column Bushing	75560-2259	1				
22	Rear Hubcap	74590-2579	2	44	Steering Column	80054-0020	1				

N/A = Not Available **Bold and Underlined parts are to be purchased and installed by Service Centers only. These items may not be sold directly to consumers by Service Centers or Fisher-Price.**

