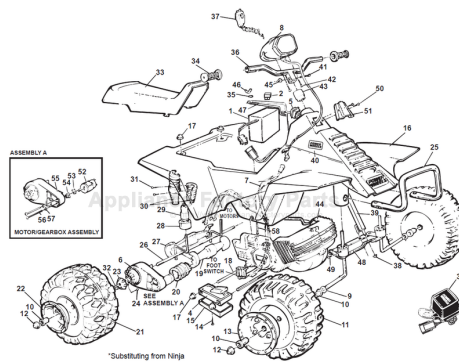


This Owner's Manual is provided and hosted by [Appliance Factory Parts](#).



FISHER PRICE 78605-85430 Owner's Manual

[Shop genuine replacement parts for FISHER PRICE
78605-85430](#)



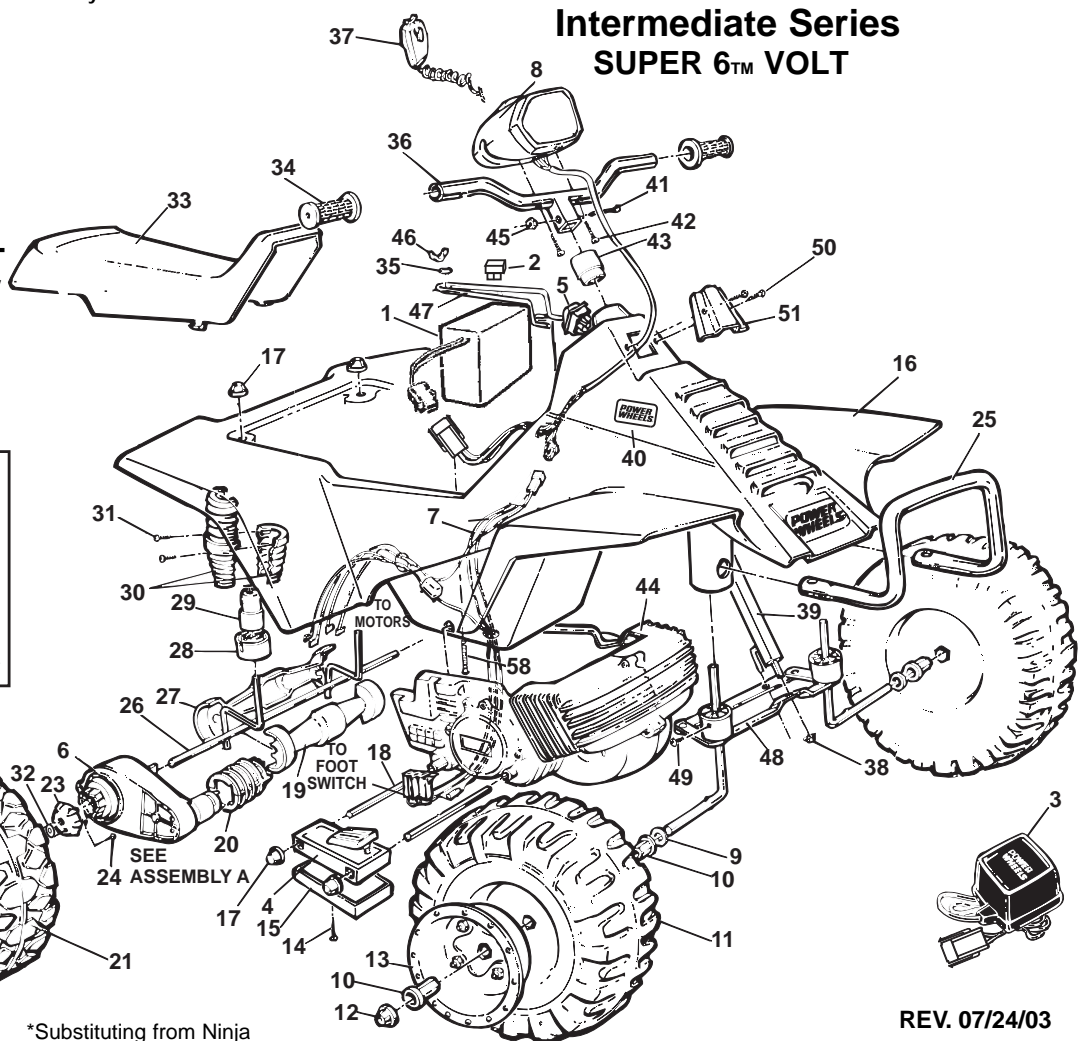
[Find Your FISHER PRICE Ride On Parts - Select From 999 Models](#)

----- Manual continues below -----

Age Range: 3-7 Yrs.
 Weight Limit: 65 Lbs.
 Surfaces: Hard, Grass & Carpet
 Speed: 3.5 MPH
 Intro: 1993
 Warranty: 90 Days Vehicle
 6 Months Battery

78605-9993 / 85430 SUZUKI® QUAD SPORT®

This product is affected by the PW recall announced Oct 1998. Please confirm that the product is modified or remediated in accordance with policy.



REV. 07/24/03

Item No.	Description	Part No.	Qty.	Item No.	Description	Part No.	Qty.	Item No.	Description	Part No.	Qty.
1	Battery (Type H)	00801-0712	1	24	#10 x 1" Screw	0801-0220	4	47	Battery Retainer	76262-4489	1
2	Thermal Fuse	0801-0153	1	25	*Roll-Bar N/A	74590-9419	1	48	Steering Linkage (N/A)	80055-0089	1
3	Charger Super 6 Volt	00801-0974	1	26	Rear Axle Assembly N/A	76816-4539	1	49	#10 x 1/2" Phillips Screw	0801-0255	2
4	Footboard Assembly	76108-9159	1	27	Axle Cover (Outside) N/A	80046-0093	1	50	#8 x 1/2" Phillips Screw	0801-0202	2
5	Control Switch	0801-0148	1	28	*Rear Post Bushing N/A	74590-2539	2	51	Cover Plate (N/A)	80001-0359	1
6	3B Motor/Gearbox Assembly	74180-9519	2	29	Rear Bushing w/Extension N/A	76262-2549	2	52	<u>Motor w/Pinion</u>	<u>74580-9539</u>	2
7	<u>Main Wiring Harness (N/A)</u>	<u>80064-0116</u>	1	30	*Shock Set N/A	74590-9789	2	53	D Lock Washer	0801-0329	2
8	<u>Headlight/Harness Assy. (N/A)</u>	<u>80030-0085</u>	1	31	#6 x 1/2" Screw	0801-0222	4	54	Motor Drive Gear	74550-2269	2
9	7/16" Washer	0801-0196	2	32	Spacer (N/A) N/A	76188-2419	2	55	<u>3B Gearbox</u>	<u>74550-9279</u>	2
10	Hex Bushing	73233-2559	6	33	Seat (Blue) N/A	75560-2819	1	56	<u>Motor Bolts</u>	<u>0801-0269</u>	4
11	*Front Wheel	76266-2459	2	34	Handgrip N/A	76262-2219	2	57	<u>Star Washer N/A</u>	<u>0801-0330</u>	4
12	.437 Cap Nut	0801-0226	4	35	#10 Washer N/A	76822-4409	1	58	Carriage Bolt N/A	0801-0305	1
13	Front Hubcap (N/A)	80033-0027	2	36	Handlebar N/A	80029-0034	1		(Order Hardware Bag)	78475-9259A	1
14	#8 x 2" Screw N/A	0801-0268	1	37	Microphone	73233-9479	1	PARTS NOT SHOWN			
15	Bottom Cover (Ftbd) N/A	76108-2169	1	38	Hat Cap N/A	76262-4429	1	Left Footrest N/A	76108-2179	1	
16	Body (N/A)	80005-0243	1	39	Steering Column N/A	80054-0020	1	Use & Care Manual N/A	78605-CCCC	1	
17	.354 Cap Nut	0801-0604	6	40	Power Wheels Emblem Set	74460-9069	2	Switch Hole Cover (N/A)	80001-0092	1	
18	Footboard Support Rod	76262-4439	2	41	1" Bolt N/A	76262-4459	1	Decal Sheet (N/A)	80017-0233	1	
19	*Axle Cover (Inside) N/A	74750-2739	1	42	#6 x 1-1/2" Screw	0801-0221	2				
20	*Motor Cover	74750-2359	2	43	Steering Column Bushing	75560-2259	1				
21	Rear Wheel N/A	76188-2459	2	44	False Motor N/A	75560-2099	1				
22	Rear Hubcap N/A	80033-0028	2	45	Lock Nut N/A	0801-0318	1				
23	Driver	73233-2239	2	46	Wing Nut N/A	0801-0317	1				

Bold and Underlined parts are to be purchased and installed by Service Centers only. These items may not be sold directly to consumers by Service Centers or Fisher-Price.