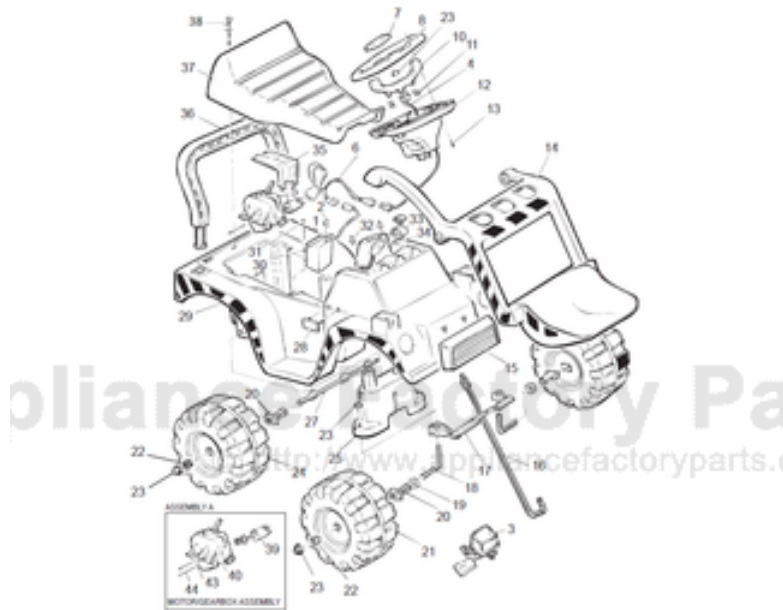


This Owner's Manual is provided and hosted by [Appliance Factory Parts](http://www.appliancefactoryparts.com).



FISHER PRICE 78560-83580 Owner's Manual

[Shop genuine replacement parts for FISHER PRICE
78560-83580](#)



[Find Your FISHER PRICE Ride On Parts - Select From 999 Models](#)

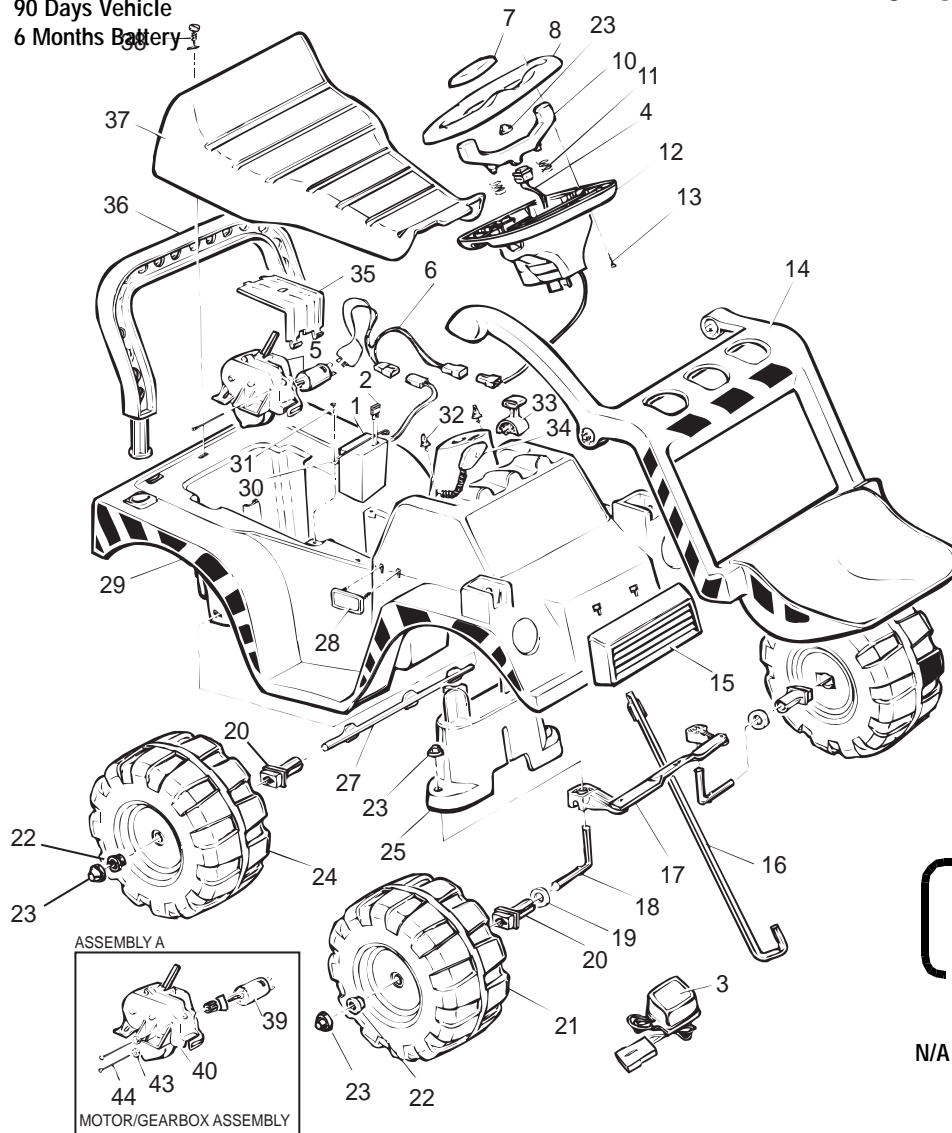
----- Manual continues below -----

Age Range: 1-3 Years
 Weight Limit: 40 Lbs.
 Surfaces: Hard / Grass
 Speed: 1 MPH
 Colors: Yellow Body
 Black Wheels
 Intro: 5/30/95
 Suggested Retail: \$69.99
 Warranty: 90 Days Vehicle
 6 Months Battery

78560-9993 / 83580

Lil Jake

Toddler Series Mini 6 Volt



N/A Not Available

Rev. 08/07/03

| Item No. | Description | Part No. | Qty. | Item No. | Description | Part No. | Qty. | Item No. | Description | Part No. | Qty. |
|----------|------------------------------|-------------------|------|----------|--------------------------|------------|------|------------------------|-----------------------------|-------------------|------|
| 1 | Battery 6 Volt (4 Amp) | 0801-0336 | 1 | 19 | 5/16" Washer | 0801-0253 | 2 | 37 | Seat N/A | 78560-2309 | 1 |
| 2 | 25 Amp Fuse | 0801-0151 | 1 | 20 | Bushing w/Long Extension | 78560-2659 | 4 | 38 | Lock Fastener | 78570-2439 | 1 |
| 3 | Charger (4 AH) | 00801-0976 | 1 | 21 | Front Wheel N/A | 78560-2469 | 2 | 39 | <u>Motor w/Pinion</u> | <u>74590-9539</u> | 1 |
| 4 | Switch Assembly | 78560-9799 | 1 | 22 | Wheel Bushing | 78560-2679 | 4 | 42 | <u>Gear Box w/out Motor</u> | <u>72629-9259</u> | 1 |
| 5 | <u>#5 Motor/gearbox Assy</u> | <u>74504-9519</u> | 1 | 23 | .354 Retainer | 0801-0604 | 7 | PARTS NOT SHOWN | | | |
| 6 | <u>Wiring Harness N/A</u> | <u>78560-9719</u> | 1 | 24 | Rear Wheel N/A | 78560-2459 | 2 | | Decal Sheet N/A | 78560-0310 | 1 |
| 7 | Steering Wheel Cap N/A | 78560-2349 | 1 | 25 | Module | 78560-2189 | 1 | | Literature Bag N/A | 78560-9029 | 1 |
| 8 | Steering Wheel Cover N/A | 78560-2339 | 1 | 26 | Star Washer | 0801-0330 | 2 | | Bolt (for Scoop) N/A | 78560-4459 | 1 |
| 9 | Motor Bolt | 0801-0269 | 2 | 27 | Rear Axle | 74504-4539 | 1 | | Large Parts Bag N/A | 78560-9249 | 1 |
| 10 | Yoke N/A | 78560-2359 | 1 | 28 | PW Emblem Set | 74460-9069 | 1 | | Small Parts Bag N/A | 78560-9269 | 1 |
| 11 | Yoke Spring N/A | 78560-4549 | 2 | 29 | Body N/A | 78560-2409 | 1 | | | | |
| 12 | Steering Wheel Base | 78560-2329 | 1 | 30 | Battery Retainer | 74504-4429 | 1 | | | | |
| 13 | 1/2" Screw N/A | 0801-0274 | 4 | 31 | #8 x 7/8 Trusshead Screw | 0801-0228 | 2 | | | | |
| 14 | Scoop N/A | 78560-2429 | 1 | 32 | Radio Knobs | 74550-2719 | 2 | | | | |
| 15 | Grill N/A | 78560-2129 | 1 | 33 | Shifter | 74550-2229 | 1 | | | | |
| 16 | Steering Column | 74550-4239 | 1 | 34 | Microphone | 74770-9489 | 1 | | | | |
| 17 | Steering Linkage N/A | 78560-4269 | 1 | 35 | Motor/Gearbox Cover N/A | 78560-2119 | 1 | | | | |
| 18 | Front Axle N/A | 78560-4509 | 2 | 36 | Roll Bar N/A | 78560-4229 | 1 | | | | |

Bold and Underlined parts are to be purchased and installed by Service Centers only. These items may not be sold directly to consumers by Service Centers or Fisher-Price.