

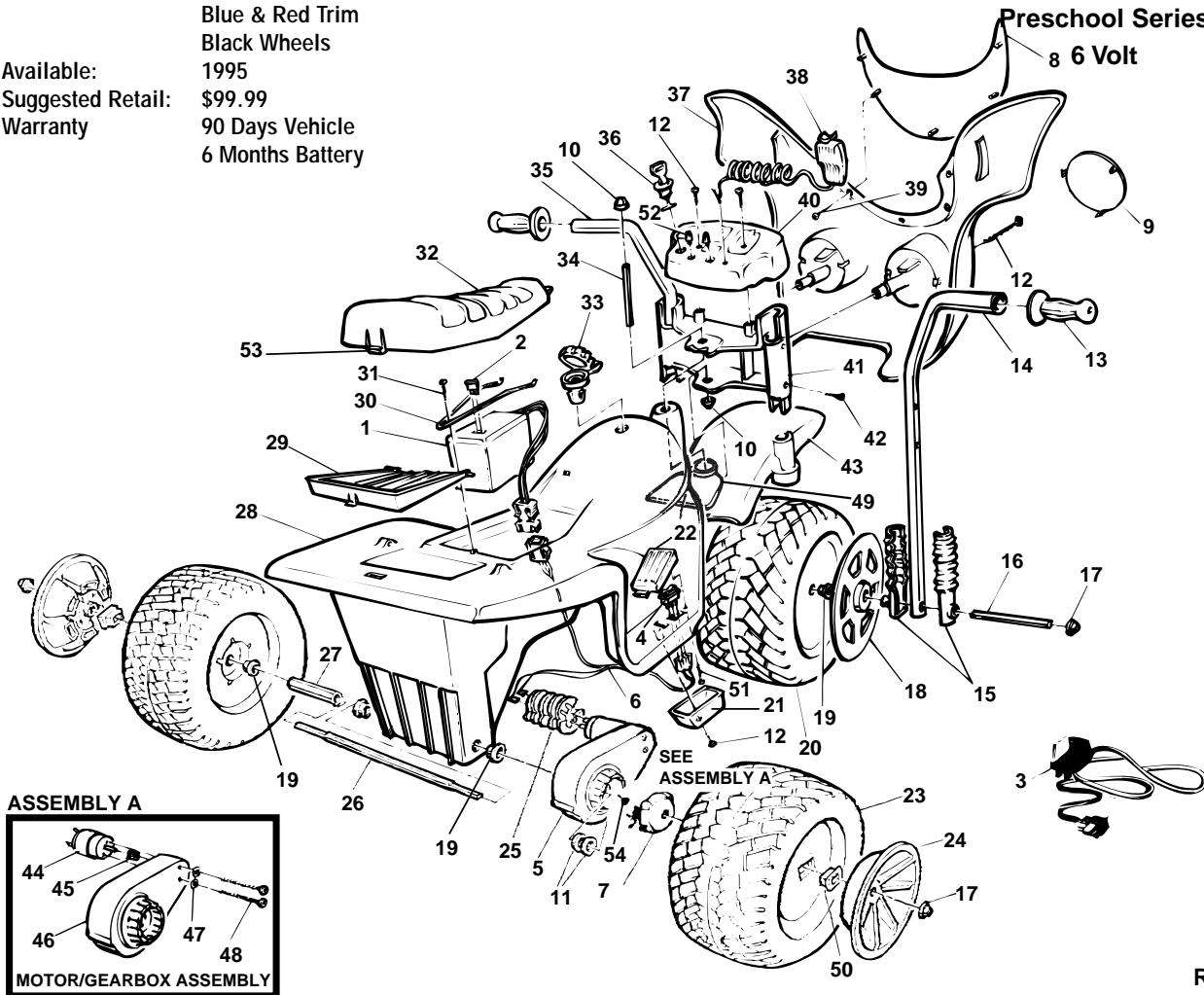
Age Range: 1-1/2 to 4 Yrs.
 Weight Limit: 50 Lbs.
 Surfaces: Hard
 Speed: 2.5 MPH Forward
 Colors: White Body
 Blue & Red Trim
 Black Wheels

Available: 1995
 Suggested Retail: \$99.99
 Warranty: 90 Days Vehicle
 6 Months Battery

service bulletin 157

77410-9993 Mickey Patrol

Preschool Series



REV. 08/28/03

Item No.	Description	Part No.	Qty.	Item No.	Description	Part No.	Qty.	Item No.	Description	Part No.	Qty.
1	Battery	00801-1234	1	24	Rear Hubcap N/A	77410-2589	2	47	<u>Star Washer N/A</u>	0801-0330	2
2	25 Amp Fuse	0801-0151	1	25	Motor Cover N/A	73233-2489	1	48	<u>Motor Bolt</u>	0801-0269	2
3	Charger	00801-0975	1	26	Rear Axle	74510-4549	1	49	Flex Plate N/A	74510-2159	1
4	<u>*Foot Switch</u>	<u>75527-2709</u>	1	27	Axle Spacer Tube N/A	74510-4449	1	50	Rectangular Wheel Bushing	77410-2679	2
5	3A Motor/Gearbox Assy.	74780-9509	1	28	Body N/A	N/A	1	51	1" Screw N/A	0801-0273	1
6	<u>Wiring Harness N/A</u>	<u>76112-9799</u>	1	29	Trunk Lid N/A	77410-2339	1	52	Radio Knobs	74510-2149	2
7	Driver N/A	77410-2239	1	30	Battery Retainer	74510-4439	1	53	Lock Fastener	78570-2439	1
8	Windshield N/A	74510-2179	1	31	8 x 7/8" Screw	0801-0228	1	54	Wheel Driver Screw	0801-0255	1
9	Lens Cover Set	74510-9159	1	32	Seat (N/A)	77410-2309	1	PARTS NOT SHOWN			
10	.354 Cap Nut	0801-0215	2	33	Gas Cap N/A	74510-2649	1	#6-20 x 1" Screw/Swivel Bracket	0801-0254	1s	
11	7/16" Washer	0801-0196	2	34	Pivot Pin N/A	74510-4429	1	1-1/4" Screw for Flex Plate N/A	0801-0216	2	
12	1-1/2" Screw	0801-0308	5	35	Left Handlebar N/A	74510-4239	1	Handlebar Plugs N/A	74510-2169	4	
13	Handgrip	74504-2219	2	36	Key Housing N/A	74550-2439	1	Literature Bag N/A	77410-9029	1	
14	Right Handlebar N/A	74510-4219	1	37	Fairing	N/A	1	Adhesive Harness Clip	0801-0313	1	
15	Shock Set N/A	77410-2089	1	38	Microphone	74550-9479	1	Main Decal Sheet N/A	77410-0310	1	
16	Front Axle	74510-4519	1	39	3/8" Screw N/A	0801-0219	2	Paper Decal Sheet N/A	77410-0330	1	
17	.437 Cap Nut	0801-0214	4	40	Dash N/A	77410-2719	1				
18	Front Hubcap	77410-2579	2	41	Swivel Bracket N/A	74510-2129	1				
19	Wheel Spacer	74550-2689	5	42	3/4" Screw	0801-0223	4				
20	Front Wheel	74510-2459	1	43	Fender N/A	77410-2249	1				
21	Footboard Cover N/A	77410-2159	1	44	<u>Motor N/A</u>	N/A	1				
22	Foot Pedal w/Spring Clip N/A	77410-9169	1	45	<u>Drive Gear</u>	<u>74550-2269</u>	1				
23	Rear Wheel N/A	74510-2469	2	46	<u>Gearbox</u>	N/A	1				

N/A = Not Available

Bold and Underlined parts are to be purchased and installed by Service Centers only. These items may not be sold directly to consumers by Service Centers or Fisher-Price.



* see service bulletin 157