

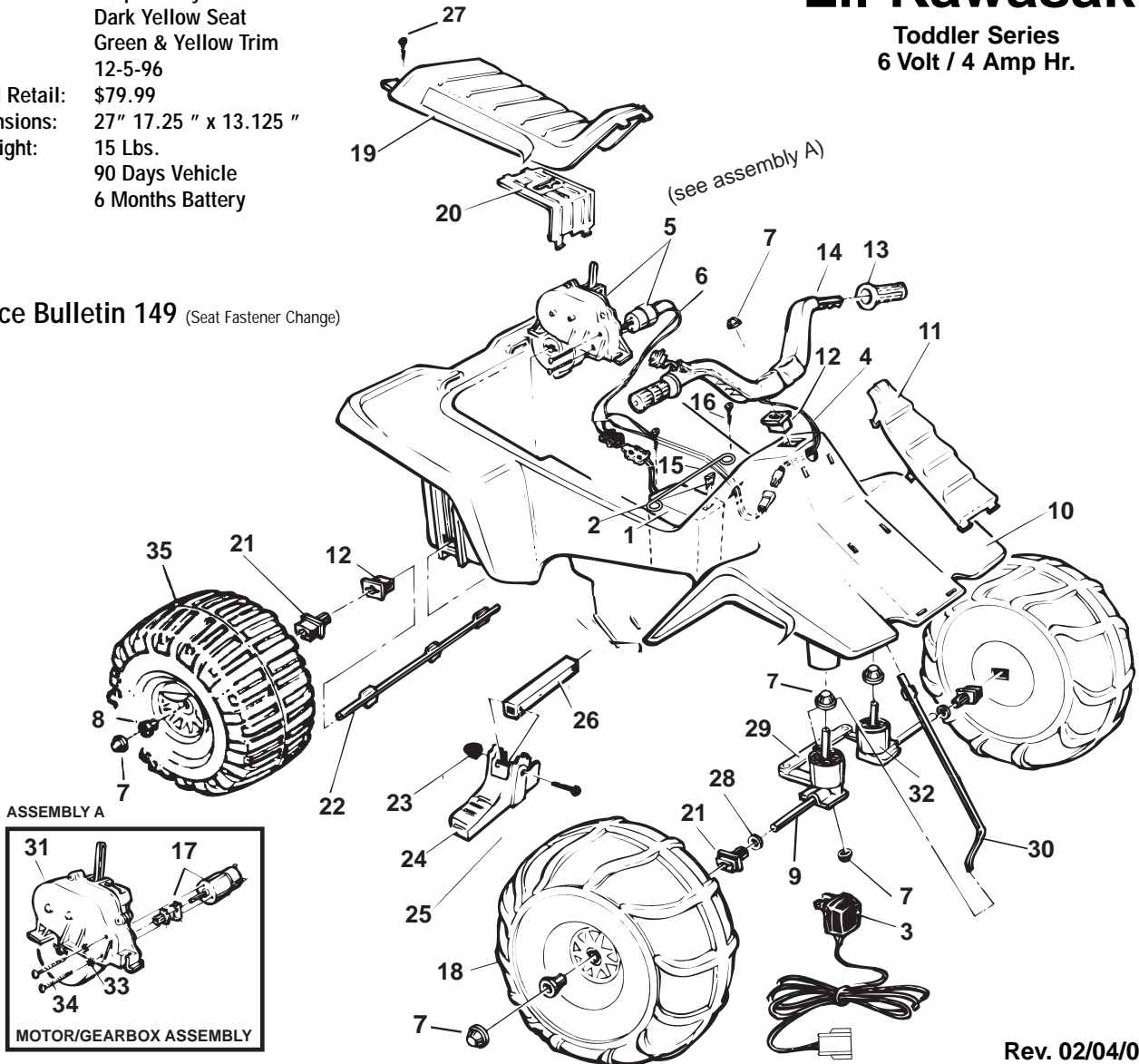
Age Range: 1-3 Yrs.
 Weight Limit: 40 Lbs.
 Surfaces: Hard & Grass
 Speed: 1 MPH
 Colors: Purple Body
 Dark Yellow Seat
 Green & Yellow Trim

Intro: 12-5-96
 Suggested Retail: \$79.99
 Box Dimensions: 27" 17.25" x 13.125"
 In Box Weight: 15 Lbs.
 Warranty: 90 Days Vehicle
 6 Months Battery

76940-9993 Lil Kawasaki

Toddler Series
6 Volt / 4 Amp Hr.

Service Bulletin 149 (Seat Fastener Change)



Rev. 02/04/04

Item #	Description	Part #	Qty.	Item #	Description	Part #	Qty.	Item #	Description	Part #	Qty.
1	Battery 6 Volt/4Amp	0801-0336	1	16	#8 x 7/8" Trusshead Screw	0801-0228	2	30	Steering Column	76940-4239	1
2	25 Amp Fuse	0801-0151	1	17	<u>Motor w/Pinion N/A</u>	<u>72629-9539</u>	1	31	<u>Gearbox w/Out Motor</u>	<u>72629-9259</u>	1
3	6 Volt / 4 Amp Charger	00801-0976	1	18	Front Wheel N/A	73237-2469	2	32	Front Post Bushing N/A	76940-2129	2
4	Switch Assembly	78560-9799	1	19	*Seat N/A	76940-2309	1	33	<u>Star Washer N/A</u>	<u>0801-0330</u>	2
5	#5 Motor Gearbox Assy	74504-9519	1	20	Motor Cover	73560-9489	1	34	<u>Motor Bolt</u>	<u>0801-0269</u>	2
6	<u>Main Harness</u>	<u>73560-9799</u>	1	21	Bushing w/Long Extension	78560-2659	4	35	Rear Wheel N/A	73237-2459	2
7	.354 Cap Nut	**0801-0548	8	22	Rear Axle	74504-4539	1	PARTS NOT SHOWN			
8	Round Bushing	78560-2679	4	23	Acorn Nut N/A	0801-0218	2	Label Sheet N/A	76940-0310	1	
9	Front Axle	74504-4509	2	24	Footpeg N/A	76940-2169	2	Large Parts Bag N/A	76940-9249	1	
10	Body (N/A)	76940-2109	1	25	1-1/4" Shoulder Bolt	0801-0304	2	Small Parts Bag	76940-9259C	1	
11	Grille N/A	76940-2149	1	26	Footpeg Support	76940-2179	1	Literature Bag N/A	76940-9019	1	
12	Bushing w/out Extension	74504-2549	3	27	#10 x 1/2" bolt (N/A)	*0801-0271	1	Owner's Manual (N/A)	76940-0920	1	
13	Handgrip N/A	76940-2159	2	N/A separately, order SPB 76940-9259 (See SB149)				Foam Battery Pocket	73560-0401	1	
14	Handlebar N/A	76940-2139	1	28	5/16" Washer	0801-0253	4				
15	Battery Retainer	74504-4429	1	29	Steering Linkage	74504-4219	1				

* See Service Bulletin 149 N/A = Not Available ** Use Cap Nut 0801-0548 When 0801-0251 Is Gone

Bold and Underlined parts are to be purchased and installed by Service Centers only. These items may not be sold directly to consumers by Service Centers or Fisher-Price.

