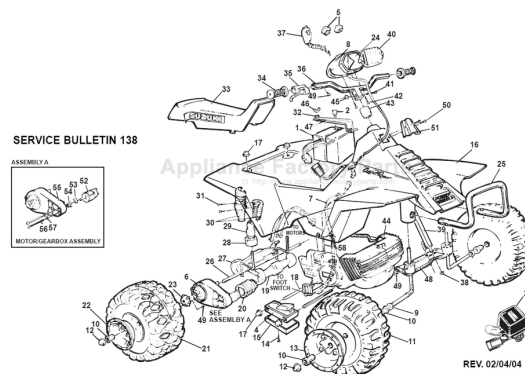


This Owner's Manual is provided and hosted by [Appliance Factory Parts](#).



# FISHER PRICE 76262-86550 Owner's Manual

[Shop genuine replacement parts for FISHER PRICE  
76262-86550](#)



[Find Your FISHER PRICE Ride On Parts - Select From 999 Models](#)

----- Manual continues below -----

Age Range: 3-7 Yrs.  
 Weight Limit: 65 Lbs.  
 Surfaces: Hard, Grass & Hills  
 Speed: 2.5 / 5.0 MPH  
 Colors: Yellow Body  
 Blue Seat  
 Intro: 1991  
 Warranty: 90 Days Vehicle  
 6 Months Battery

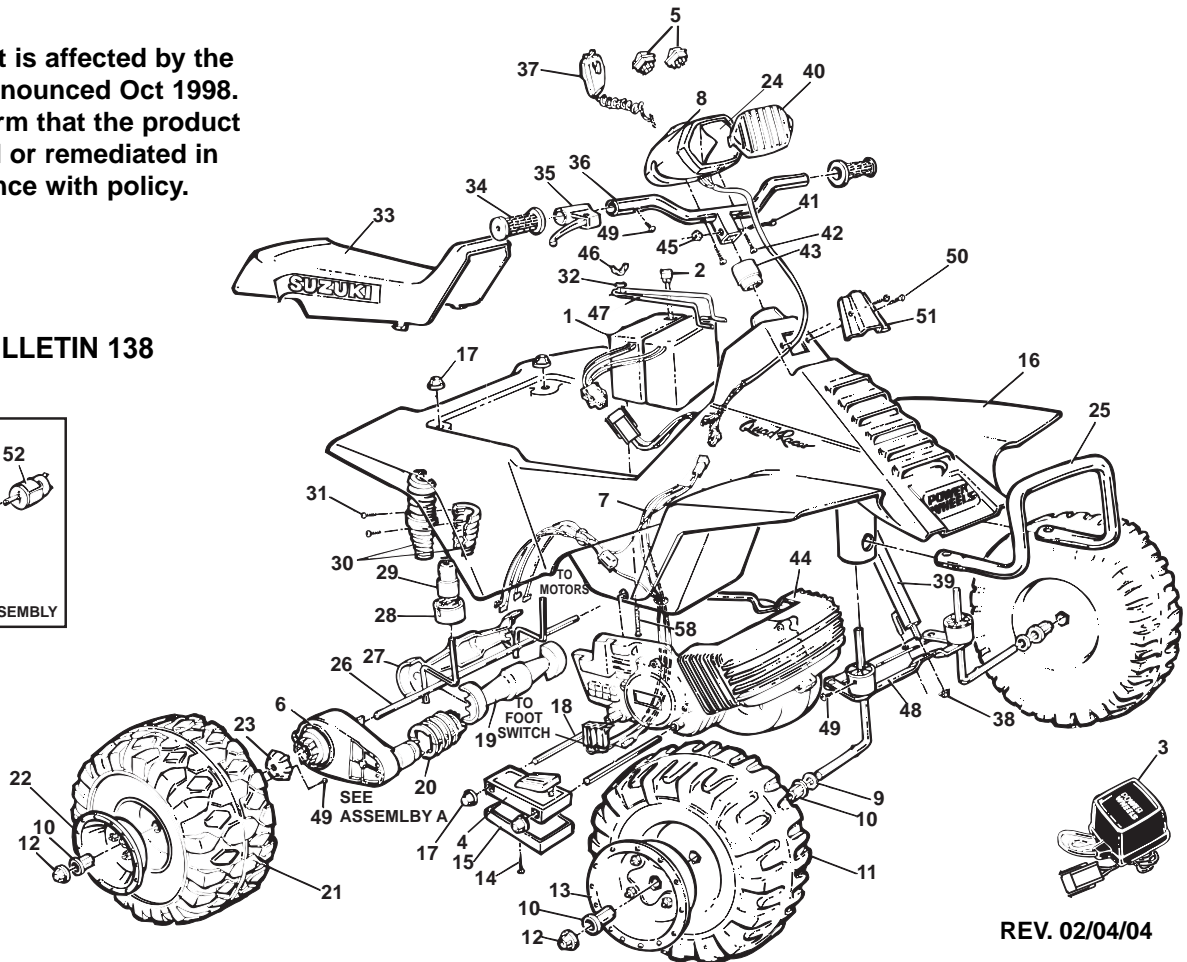
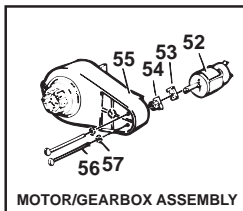
# 76262-9963 / 86550 SUZUKI® QUAD RACER

12 Volt

This product is affected by the PW recall announced Oct 1998. Please confirm that the product is modified or remediated in accordance with policy.

## SERVICE BULLETIN 138

ASSEMBLY A



REV. 02/04/04

Item No.	Description	Part No.	Qty.	Item No.	Description	Part No.	Qty.	Item No.	Description	Part No.	Qty.
1	** Battery, Type H	00801-0712	2	24	Headlight Rim	N/A	1	47	Battery Retainer	76262-4489	1
2	30 amp Fuse N/A	0801-0229	2	25	Roll-Bar N/A	80049-0035	1	48	Steering Linkage N/A	80055-0089	1
3	** Charger 12 Volt Type H	00801-0973	1	26	Rear Axle Assy N/A	76816-4539	1	49	#10 x 1/2" Phillips Screw	0801-0255	5
4	Footboard Assy	76108-9159	1	27	Axle Cover/Outside N/A	80046-0093	1	50	#8 x 1/2" Phillips Screw	0801-0202	2
5	** Control/Switch	00801-0885	2	28	Rear Post Bushing N/A	76262-2559	2	51	Cover Plate N/A	80001-0364	1
6	3B Motor/Gearbox Assy	78640-0640	2	29	Rear Bushing w/Extension N/A	74560-2549	2	52	<u>Motor w/Pinion</u>	<u>74590-9539</u>	2
7	<u>Wiring Harn(Lower) N/A</u>	<u>76262-9799</u>	1	30	Shock Set N/A	76262-2089	2	53	D Lock Washer	0801-0329	2
8	**headlight/Harn Assy N/A	80030-0054	1	31	#6 x 1/2" Screw	0801-0222	4	54	<u>Motor Drive Gear</u>	<u>74550-2269</u>	2
9	7/16" Washer	0801-0196	2	32	#10 Washer N/A	76822-4409	1	55	<u>3B Gearbox Only</u>	<u>74550-9279</u>	2
10	Hex Bushing	73233-2559	6	33	Seat N/A	75560-2819	1	56	<u>Motor Bolts</u>	<u>0801-0269</u>	4
11	Front Wheel N/A	76266-2459	2	34	Handgrip N/A	76262-2219	2	57	<u>Star Washer N/A</u>	<u>0801-0330</u>	4
12	.437 Cap Nut	0801-0226	4	35	Simulated Handbrake N/A	80011-0040	1	58	Carriage Bolt N/A	0801-0305	1
13	Front Hubcap N/A	80033-0027	2	36	Handlebar N/A	80029-0034	1		(Order Hardware Bag) N/A	78475-9259A	
14	#8 x 2" Screw N/	0801-0268	1	37	Microphone	73233-9479	1	<b>PARTS NOT SHOWN</b>			
15	BottomCov/Footswitch N/A	76108-2169	1	38	Hat Cap N/A	76262-4429	1	Footrest, Left N/A	76108-2179	1	
16	Body N/A	80005-0053	1	39	Steering Column N/A	80054-0020	1	Literature Bag N/A	80044-0310	1	
17	.354 Cap Nut	0801-0604	6	40	Headlight Lens	N/A	1	Decal Sheet N/A	76816-0310	1	
18	Footboard Support Rod	76262-4439	2	41	1" Bolt N/A	76262-4459	1	(not original/different but comperable)			
19	Axle Cover/Inside N/A	80046-0092	1	42	#6 x 1-1/2" Screw	0801-0221	2	Use & Care Manual N/A	76262-CCCC	1	
20	Motor Cover N/A	74590-2489	2	43	Steering Column Bushing	75560-2259	1				
21	Rear Wheel	78570-2469	2	44	False Motor N/A	80021-0061	1				
22	Rear Hubcap N/A	80033-0028	2	45	Lock Nut N/A	0801-0318	1				
23	Driver	73233-2239	2	46	Wing Nut N/A	0801-0317	1				

\*\*See Service Bulletin 138 **Bold and Underlined parts are to be purchased and installed by Service Centers only. These items may not be sold directly to consumers by Service Centers or Fisher-Price.**

