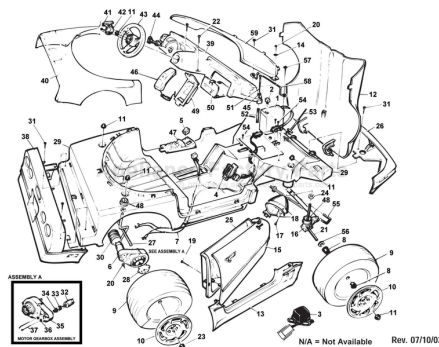


This Owner's Manual is provided and hosted by [Appliance Factory Parts](#).



# FISHER PRICE 76182-85350 Owner's Manual

[Shop genuine replacement parts for FISHER PRICE  
76182-85350](#)



[Find Your FISHER PRICE Ride On Parts - Select From 999 Models](#)

----- Manual continues below -----

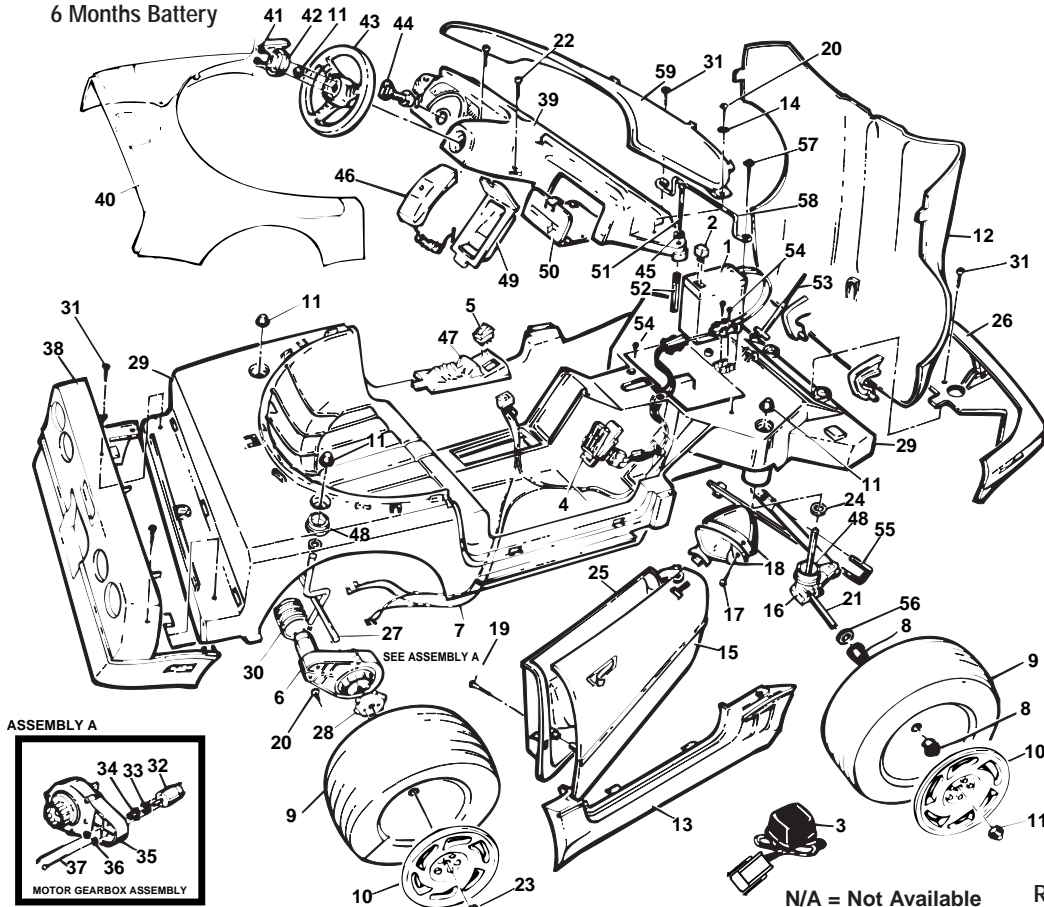
Age Range: 2-5 Yrs.  
 Weight Limit: 65 Lbs.  
 Surfaces: Hard, Grass & Carpet  
 Speed: 3.5 MPH  
 Colors: Pink body  
 Black Wheels  
 1992  
 Avail: 1992  
 Suggested Retail: \$159.99 - 179.99  
 Warranty: 90 Days Vehicle  
 6 Months Battery

This product is affected by the PW recall announced Oct 1998. Please confirm that the product is modified or remediated in accordance with policy.

**76184-9993 / 85355**

**Barbie™ Corvette**

**Intermediate Series  
 Super 6 Volt**



N/A = Not Available Rev. 07/10/03

| Item No. | Description                              | Part No.          | Qty. | Item No. | Description                 | Part No.          | Qty. | Item No.               | Description                      | Part No.   | Qty. |
|----------|--|-------------------|------|----------|-----------------------------|-------------------|------|------------------------|----------------------------------|------------|------|
| 1        | *Battery (Type H)                        | 00801-0712        | 1    | 25       | Door (Inner Right) (N/A)    | 80018-0047        | 1    | 49                     | Phone Housing (N/A)              | 80001-0046 | 1    |
| 2        | Thermal Fuse                             | 0801-0711         | 1    | 26       | Front Nose Piece (N/A)      | 80005-0096        | 1    | 50                     | Glovebox Door (N/A)              | 80018-0117 | 1    |
| 3        | *Charger, Super 6 (Type H)               | 00801-0974        | 1    | 27       | Rear Axle (N/A)             | 80046-0057        | 1    | 51                     | #8 x 3-3/4" Phillips Screw (N/A) | 80006-0003 | 2    |
| 4        | Footboard Assembly N/A                   | 76803-9159        | 1    | 28       | Driver                      | 73233-2239        | 2    | 52                     | Door Hinge Bushing (N/A)         | 80009-0002 | 2    |
| 5        | *Switch                                  | 00801-0885        | 1    | 29       | Chassis (N/A)               | 80005-0117        | 1    | 53                     | Hood Support Rod N/A             | 80001-0040 | 1    |
| 6        | Motor/Gearbox Assy                       | 74580-9509        | 2    | 30       | Motor Cover                 | 74750-2359        | 2    | 54                     | #6 x 3/4" Phillips Screw (N/A)   | 80006-0178 | 2    |
| 7        | <u>*Wiring Harness Kit (Incl #5) N/A</u> | <u>76176-9719</u> | 1    | 31       | #8 x 3/4" Phillips Plascrow | 0801-0223         | 6    | 55                     | Steering Column                  | 80054-0001 | 1    |
| 8        | Round Bushing                            | 74770-2539        | 4    | 32       | <u>Motor w/Pinion</u>       | <u>74580-9539</u> | 2    | 56                     | 5/16" Washer                     | 0801-0253  | 2    |
| 9        | Wheel N/A                                | 80062-0001        | 4    | 33       | D Lock Washer               | 0801-0329         | 2    | 57                     | #8 x 7/8" Trusshead Screw        | 0801-0228  | 2    |
| 10       | Hubcap (N/A)                             | 80033-0018        | 4    | 34       | Motor Drive Gear            | 74550-2269        | 2    | 58                     | Battery Retainer N/A             | 76181-4419 | 1    |
| 11       | .354 Cap Nut                             | 0801-0604         | 7    | 35       | <u>3A Gearbox</u>           | <u>74580-9269</u> | 2    | 59                     | Windshield N/A                   | 80063-0060 | 1    |
| 12       | Hood (N/A)                               | 80031-0045        | 1    | 36       | <u>Star Washer N/A</u>      | <u>0801-0330</u>  | 4    | <b>PARTS NOT SHOWN</b> |                                  |            |      |
| 13       | Quarter Panel (Right) (N/A)              | 80022-0019        | 1    | 37       | <u>Motor Bolt</u>           | <u>0801-0269</u>  | 4    | 1                      | Door (Inner Left) (N/A)          | 80018-0046 | 1    |
| 14       | #10 Washer N/A                           | 76822-4409        | 2    | 38       | Rear Panel (N/A)            | 80058-0016        | 1    | 2                      | Door (Outer Left) (N/A)          | 80018-0139 | 1    |
| 15       | Door (Outer Right) (N/A)                 | 80018-0140        | 1    | 39       | Dashboard N/A               | 80016-0026        | 1    | 3                      | Quarter Panel (Left) (N/A)       | 80022-0015 | 1    |
| 16       | Steering Linkage                         | 76181-4229        | 1    | 40       | Rear Deck (N/A)             | 80005-0208        | 1    | 4                      | Decal (Main) N/A                 | 80017-0147 | 1    |
| 17       | #6 x 1/2" Phillips Screw                 | 0801-0222         | 2    | 41       | #8 x 1" Screw               | 0801-0224         | 2    | 5                      | Decal (Mirrors) (N/A)            | 80017-0148 | 1    |
| 18       | Mirror Set (4 Pieces) N/A                | 80001-0191        | 1    | 42       | Steering Wheel Cap N/A      | 74780-2729        | 1    | 6                      | Literature Bag N/A               | 80044-0406 | 1    |
| 19       | #10 x 3/4" Phillips Head Screw           | 0801-0309         | 8    | 43       | Steering Wheel N/A          | 80056-0014        | 1    | 7                      | Use & Care Manual N/A            | 76184-CCCC | 1    |
| 20       | #10 x 1/2" Screw                         | 0801-0255         | 2    | 44       | Key/Housing Assembly        | 73233-2439        | 1    |                        |                                  |            |      |
| 21       | Front Axle                               | 73241-4509        | 2    | 45       | #6 Washer (N/A)             | 80061-0002        | 2    |                        |                                  |            |      |
| 22       | #8 x 1-1/4" Plascrow N/A                 | 0801-0216         | 2    | 46       | Phone (N/A)                 | 80038-0010        | 1    |                        |                                  |            |      |
| 23       | .437 Cap Nut                             | 0801-0227         | 2    | 47       | Console Shifter (N/A)       | 80001-0045        | 1    |                        |                                  |            |      |
| 24       | Spacer (N/A)                             | 80052-0032        | 2    | 48       | Post Bushing (White)        | 74770-2669        | 4    |                        |                                  |            |      |

**Bold and Underlined parts are to be purchased and installed by Service Centers only. These items may not be sold directly to consumers by Service Centers or Fisher-Price.\***

See Service Bulletin 138

