

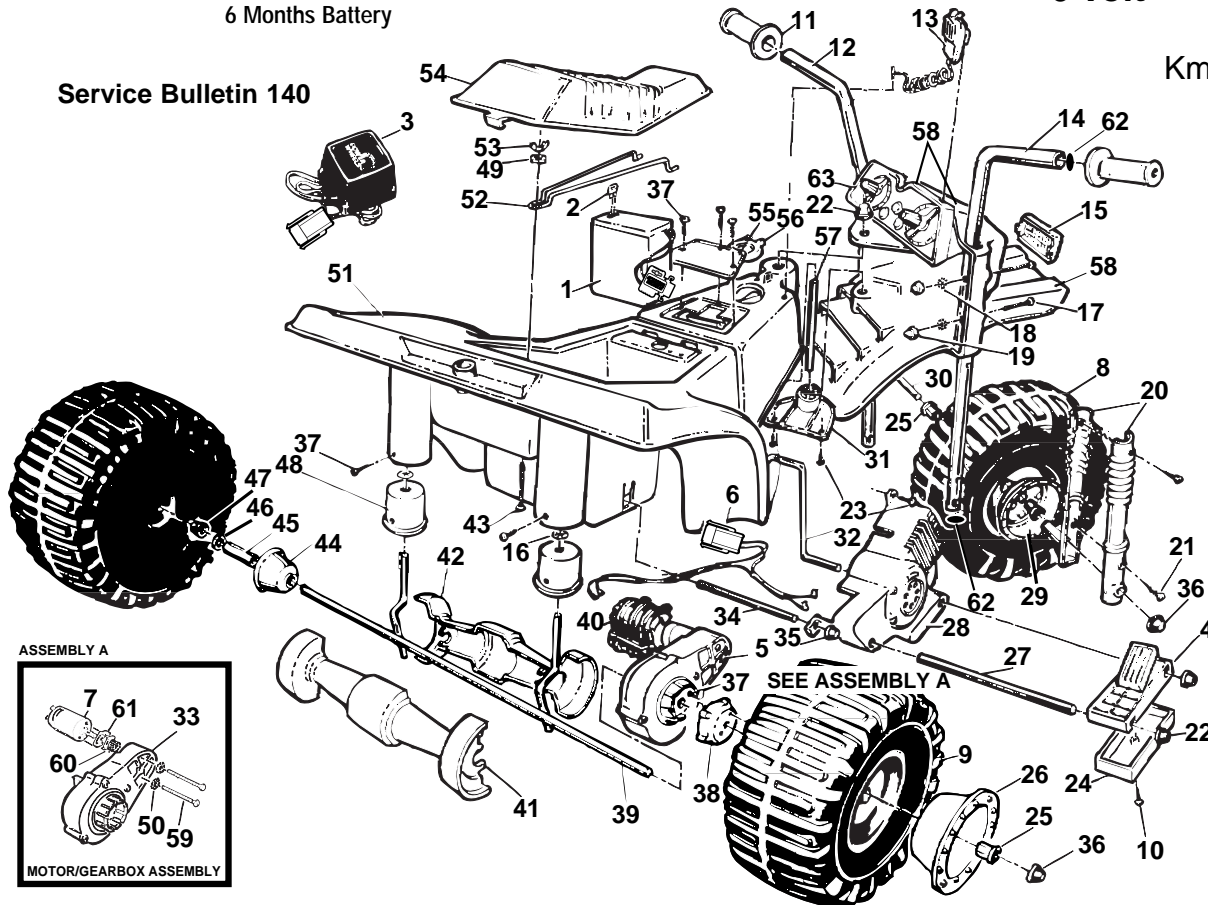
Age Range: 1-1/2 - 6 Yrs.
 Weight Limit: 50 Lbs.
 Surfaces: Hard
 Speed: 2.5 MPH
 Colors: Light Blue Body
 Intro: 1993
 Suggested Retail: \$159.99
 Warranty: 90 Days Vehicle
 6 Months Battery

76125-9993 / 84540 XC 150

Preschool Series
6 Volt

Kmart Exclusive

Service Bulletin 140



Rev.09/11/03

Item No.	Description	Part No.	Qty.	Item No.	Description	Part No.	Qty.	Item No.	Description	Part No.	Qty.
1	Battery, Type H	00801-1234	1	26	Rear Hubcap	74590-2579	2	48	Axle Bushing (N/A)	80009-0085	2
2	25 amp Fuse Kit	0801-0151	1	27	Support Rod (Rear Foot Rest) (N/A)	76108-4439	1	49	#10 Washer N/A	76822-4409	1
3	Charger, 6-Volt	00801-0975	1	28	Right False Motor (N/A)	80021-0025	1	50	<u>Star Washer</u>	<u>0801-0329</u>	2
4	Footswitch Assembly	76108-9159	1	29	Front Hubcap	73233-2579	2	51	Body (N/A)	80005-0240	1
5	Motor/Gearbox Assy. N/A	74510-9519	1	30	Front Axle (N/A)	80025-0006	1	52	Battery Retainer N/A	76112-4419	1
6	<u>Wiring Harness N/A</u>	<u>76112-9799</u>	1	31	Flex Plate (N/A)	80001-0354	1	53	Wing Nut N/A	0801-0317	1
7	<u>Motor 6-Volt N/A</u>	<u>74510-0640</u>	1	32	False Motor Support (N/A)	80021-0074	1	54	Seat (Yellow) N/A	76115-2819	1
8	Front Wheel N/A	76266-2459	1	33	<u>3A Gearbox</u>	<u>74580-9269</u>	1	55	Cover Panel (N/A)	76125-2349	1
9	Rear Wheel N/A	76188-2459	2	34	<u>Support Rod (Rear Motor) (N/A)</u>	<u>76108-2129</u>	1	56	Gas Cap N/A	76125-2249	1
10	#8 x 2" Plascrow N/A	0801-0268	1	35	.250 Retainer N/A	0801-0322	2	57	Pivot Pin N/A	76108-4429	1
11	Handgrip	78570-2219	2	36	.437 Cap Nut	0801-0214	4	58	Fender/Instr. Case Assy. (N/A)	76125-2159	1
12	Left Handlebar (N/A)	80029-0052	1	37	#10 x 1/2" Screw	0801-0255	6	59	<u>Motor Bolt</u>	<u>0801-0269</u>	2
13	Microphone N/A	74770-9479	1	38	Driver	73233-2239	1	60	<u>Motor Drive Gear</u>	<u>74550-2269</u>	1
14	Right Handlebar (N/A)	80029-0053	1	39	* Rear Axle Assembly (includes #48) (N/A)	80046-0169	1	61	D Lock Washer	0801-0329	1
15	Headlight Lens N/A	76112-2129	1	40	Motor Cover	74750-2359	1	62	Handlebar Cap Plugs N/A	74510-2169	4
16	.354 Retainer w/o Body N/A	0801-0252	2	41	Axle Cover (Outside) (N/A)	76125-2149	1	63	Instrument Case Cover (N/A)	(N/A)	1
17	1-1/4" 10-32 Screw N/A	76125-4459	4	42	Axle Cover (Inside) (N/A)	76125-2139	1	PARTS NOT SHOWN			
18	<u>Star Washer N/A</u>	<u>76108-4419</u>	4	43	Carriage Bolt N/A (Order Hardware Bag)	0801-0305	1	Left Footrest	76108-2179	1	
19	Acorn Nut N/A	0801-0218	4	44	Cup Spacer N/A	76108-2369	1	Left False Motor (N/A)	80021-0024	1	
20	*Shock Set N/A	76115-2339	2	45	Spacer N/A	76112-2139	1	Decal Sheet (N/A)	80017-0229	1	
21	#8 x 3/4" Plascrow	0801-0223	4	46	Washer	0801-0196	2	Literature Bag (N/A)	80034-0454	1	
22	.354 Cap Nut	0801-0604	6	47	Wheel Bushing	74550-2689	1	Use & Care Manual			
23	#8 x 1/2" Plascrow	0801-0202	5					76125-CCCC			
24	Footboard Cover N/A	76108-2169	1					N/A			
25	Hex Bushing	73233-2559	4								

*See Service Bulletin 140
N/A = Not Available

Bold and Underlined parts are to be purchased and installed by Service Centers only. These items may not be sold directly to consumers by Service Centers or Fisher-Price.

