

Age Range: 1-1/2 to 6 Yrs.  
 Weight Limit: 50 Lbs.  
 Surfaces: Hard  
 Speed: 2.5 MPH  
 Colors: White Body  
 Intro: 1988  
 Warranty: 90 Days Vehicle  
 6 Months Battery

# 76108-9993 / 84500

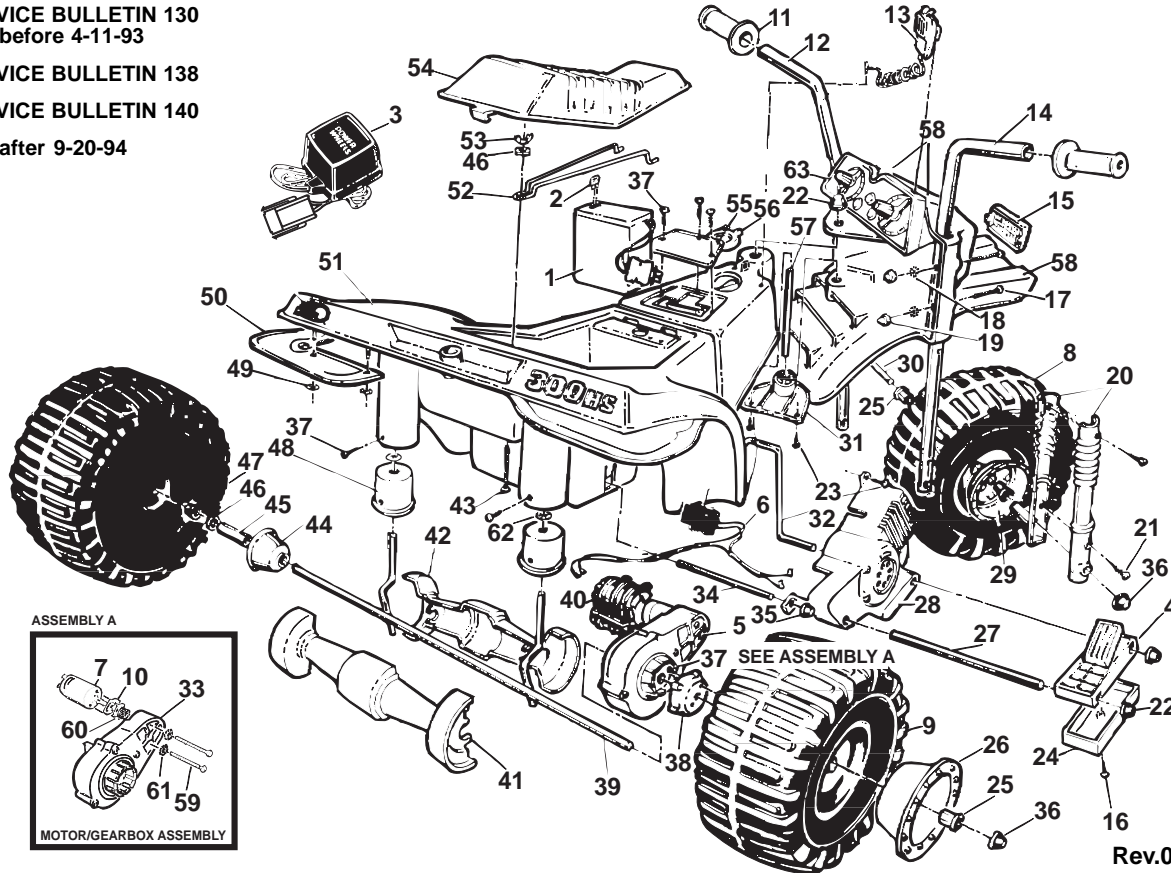
## 300HS

Type H 6 Volt

**SERVICE BULLETIN 130**  
before 4-11-93

**SERVICE BULLETIN 138**

**SERVICE BULLETIN 140**  
after 9-20-94



Rev.09/11/03

Item No.	Description	Part No.	Qty.	Item No.	Description	Part No.	Qty.	Item No.	Description	Part No.	Qty.
1	**Battery 6-Volt	00801-1234	1	26	Rear Hubcap	74590-2579	2	50	Mud Flap (Set) N/A	74590-2219	1
2	25 amp Fuse	0801-0151	1	27	Support Rod (Rear Foot Rest) (N/A)	76108-4439	1	51	Body (N/A)	80005-0317	1
3	**6-Volt Charger	00801-0975	1	28	Right False Motor(N/A)	21.112	1	52	Battery Retainer N/A	76112-4419	1
4	<b>Footswitch Assy.</b>	<b>76108-9159</b>	1	29	Front Hubcap	73233-2579	2	53	Wing Nut N/A	0801-0317	1
5	Motor/Gearbox Assy N/A	74510-9519	1	30	*Front Axle (original N/A) N/A	80025-0006	1	54	Seat (Subs to yellow) N/A	76115-2819	1
6	<b>**Wiring Harness N/A</b>	<b>76112-9799</b>	1	31	Flex Plate (old & new N/A) N/A	80001-0478	1	55	Cover Panel N/A	80001-0472	1
7	<b>Motor 6-Volt N/A</b>	<b>74510-0640</b>	1	32	False Motor Support N/A	80021-0074	1	56	Gas Cap Subs to white N/A	76125-2249	1
8	Front Wheel N/A	76266-2459	1	33	<b>Gearbox</b>	<b>74580-9269</b>	1	57	Pivot Pin N/A	76108-4429	1
9	Rear Wheel N/A	76188-2459	2	34	<b>Support Rod (Rear Motor) (N/A)</b>	<b>76108-2129</b>	1	58	*Fender/Inst. Case Assy (original N/A) N/A	80001-0223	1
10	D Lock Washer	0801-0329	1	35	Retainer .250 N/A	0801-0322	2	59	<b>Motor Bolts</b>	<b>0801-0269</b>	2
11	Handgrip N/A	80028-0030	2	36	.437 Cap Nut	0801-0226	4	60	<b>Motor Drive Gear (N/A)</b>	<b>80026-0105</b>	1
12	*Left Handlebar	N/A	1	37	#10 x 1/2" Screw	0801-0255	6	61	<b>Star Washers N/A</b>	<b>0801-0196</b>	2
13	Microphone/Cord Assy.	73233-9479	1	38	Driver	73233-2239	1	62	Retain 354 w/o Body N/A	0801-0252	2
14	*Right Handlebar	N/A	1	39	*Rear Axle (original N/A)	80046-0169	1	63	Instrument Case Cover (N/A)	80001-0502	1
15	Headlight Lens N/A	76112-2129	1	40	Motor Cover	74750-2359	1	<b>PARTS NOT SHOWN</b>			
16	#8 x 7/8" Plascrow N/A	0801-0268	1	41	Axle Cover (Outside) N/A	80046-0138	1	1 x 2 Clip (N/A)	80001-0096	2	
17	1-1/4" 10-32 Screw N/A	76125-4459	4	42	Axle Cover (Inside) N/A	80046-0133	1	Left False Motor(N/A)	80021-0062	1	
18	<b>Star Washer N/A</b>	<b>76108-4419</b>	4	43	Carriage Bolt N/A (Order Hardware Bag)	0801-0305	1	Left Footrest N/A	76108-2179	1	
19	Acorn Nut N/A	0801-0218	4	44	Hubcap w/o Shoulder N/A	78475-9259A	1	Decal Sheet (N/A)	80017-0404	1	
20	*Shock Set N/A	80001-0499	2	45	*Spacer N/A	76112-2139	1	Literature Bag (N/A)			
21	Plascrow 3/4"	0801-0223	4	46	Washer	0801-0196	2	76108-9019			
22	.354 Cap Nut	0801-0604	6	47	Wheel Bushing	74550-2689	1				
23	Plascrow 1/2"	0801-0202	5	48	Axle Bushing (N/A)	80009-0085	2				
24	Bott Cover Footboard) N/A	76108-2169	1	49	Retainer w/o Body N/A	78480-2249	8				
25	Hex Bushing	73233-2559	4								

\*See Service Bulletins 130 & 140

\*\* Service Bulletin 138

**Bold and Underlined parts are to be purchased and installed by Service Centers only. These items may not be sold directly to consumers by Service Centers or Fisher-Price.**

