

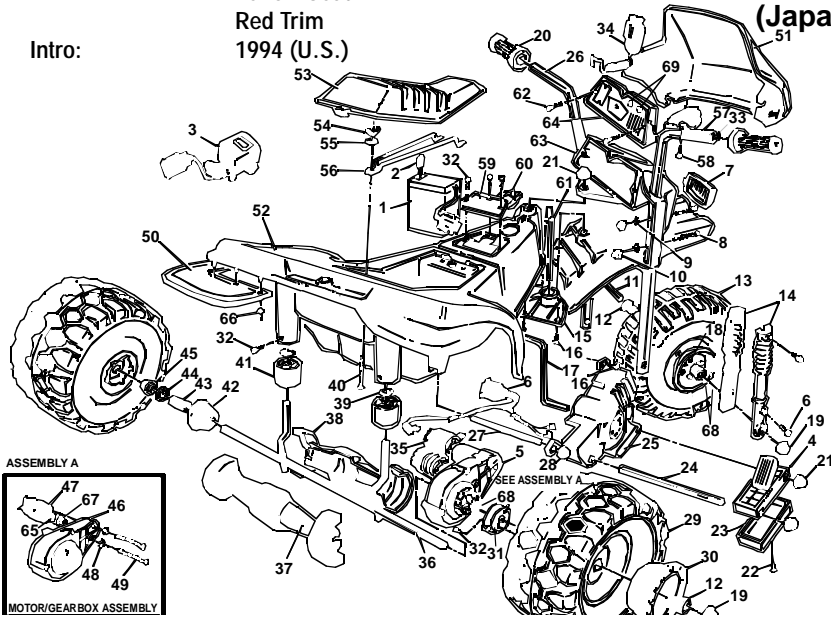


PARTS ≡ PIÈCES ≡ TEILEN ≡ PIEZAS

CYCLE SOUND RAIDER™ 550

Age Range: 1-1/2 - 6 Yrs,
 Weight Limit: 50 Lbs.
 Surfaces: Hard
 Speed: 2.5 MPH Forward
 2.5 MPH Reverse
 Colors: Blue Body
 Black Wheels
 Yellow Seat
 Red Trim
 Intro: 1994 (U.S.)

6 VOLT
 (Generic Int'l) 74539-9563 / 84539 / AX4539
 (Europe) 74531-9563 / 8453901 / AX4531
 (U.K.) 76124-9563 / 8453902 / AX6124
 (Can / Mex) 74533-9563 / 8453903 / AX4533
 (Australia) 74534-9563 / 8453904 / AX4534
 (H.K. / Sing.) 74535-9563 / 8453905 / AX4535
 (Japan) 74536-9563 / 8453906 / AX4536



SERVICE BULLETIN 140

for (*) parts made on or before 9-20-94

Rev. 07/09/03T

Item #	Description	Part No.	Quantity	Item #	Description	Part No.	Quantity	Item #	Description	Part No.	Quantity
Article No.	Description	Pièce No.	Quantité	Article No.	Description	Pièce No.	Quantité	Article No.	Description	Pièce No.	Quantité
Warennr	Beschreibung	Tiel-Nr.	Menge	Warennr	Beschreibung	Tiel-Nr.	Menge	Warennr	Beschreibung	Tiel-Nr.	Menge
Item N°	Descripción	Pieza N°	Cantidad	Item N°	Descripción	Pieza N°	Cantidad	Item N°	Descripción	Pieza N°	Cantidad
1	Battery, Type H	0801-0431	1	31	Wheel Driver	73233-2239	1	61	Pivot Pin	76108-4429	1
2	25 amp Fuse Kit	0801-0447	1	32	#10 x 1/2" Screw	0801-0255	6	62	#8 x 1-1/2" Screw	0801-0308	2
3	Charger - 6 Volt	0801-0237	1	33	Handlebar Cap Plugs	74510-2169	4	63	*Fender/Headlight	74530-9289	1
4	Footboard Assy.	76108-9159	1	34	Microphone/Cord	74550-9479	1	64	Sound Box	76115-9459	1
5	3B Motor/Gearbox Assy	74530-9519	1	35	Motor Cover	74590-2489	1	65	D Lock Washer	0801-0329	1
6	Wiring Harness	76112-9799	1	36	*Rear Axle Assy (Inc 39 & 41)	76115-4549	1	66	Retainer w/o Body	78480-2249	8
7	Headlight Lens	76112-2129	1	37	Axle Cover (Outside)	76115-2169	1	67	Motor Drive Gear	74550-2269	1
8	1-1/4" 10-32 Screw	76125-4459	4	38	Axle Cover (Inside)	76115-2159	1	68	1/4" Plastic Washer	73233-2369	5
9	Star Washer	76108-4419	4	39	Retainer .354 w/o Body	0801-0252	2	69	Radio Knobs	76115-2189	2
10	Acorn Nut	0801-0218	4	40	Carriage Bolt	0801-0305	1	PARTS NOT SHOWN PIÈCES NON ILLUSTRÉES NICHT GEZEIGTE TEILE PIEZAS NO MOSTRADAS			
11	* Front Axle	76115-4509	1	41	Post Bushing	76092-2549	2				
12	Hex Bushing	73233-2559	4	42	Hubcap w/o Shoulder	76108-2369	1				
13	Front Wheel	76266-2459	1	43	Long Spacer	76112-2139	1				
14	Shock Set	76115-2339	2	44	Washer 7/16"	0801-0196	1				
15	* Flex Plate Base	76115-2259	1	45	Wheel Bushing	74550-2689	1	Decal Sheet	74530-0310	1	
16	#8 x 1/2" Plascrew	0801-0216	5	46	3B Gearbox	74550-9279	1	Left False Motor	76115-2149	1	
17	False Motor Support	80021-0074	1	47	6V Motor	74510-0640	1	Left Footrest	76108-2179	1	
18	Front Hubcap (White)	73233-2579	2	48	Star Washers	0801-0330	2	Literature Bag	74530-9019	1	
19	.437 Cap Nut (Black)	0801-0214	4	49	Motor Bolt	0801-0269	2	Flex Plate Cover	78570-2139	1	
20	Handgrip	76115-2179	2	50	Mudflap Set (Yellow)	74590-2219	1	Use & Care Manual	74530-CCCC	1	
21	.354 Cap Nut (Black)	0801-0215	6	51	Windshield	74525-2249	1	REPLACEMENT CHARGERS CHARGEURS DE RECHANGE ERSATZAUFLADUNGSGERÄTE CARGADORES DE REPUESTO			
22	#8 x 2" Screw	0801-0268	1	52	Body	74530-2109	1				
23	Footboard Cover	76108-2169	1	53	Seat (Yellow)	76115-2819	1				
24	Support Rod (Rear Footrest)	76108-4439	1	54	Wing Nut	0801-0317	1				
25	Right False Motor	76115-2139	1	55	#10 Washer	76822-4409	1				
26	* Left Handlebar	76115-4249	1	56	Battery Retainer	76112-4419	1	Charger, 6V-120V-60Hz-CM			
27	Support Rod (Rear Motor)	76108-2129	1	57	*Right Handlebar	76115-4259	1	80004-0087	1		
28	.250 Retainer	0801-0322	2	58	#8 x 3/4" Plascrew	0801-0223	5	Charger, S6V-240V-50Hz-AS			
29	Rear Wheel	78570-2469	2	59	Switch Plate	76115-2349	1	80004-0156	1		
30	Rear Hubcap	74590-2579	2	60	Gas Cap	76115-2249	1	Charger, 6V-220V-50Hz-UK		80004	

Bold and Underlined parts are to be purchased and installed by Service Centers only. These items may not be sold directly to consumers by Service Centers or Fisher-Price.

***See Service Bulletin**