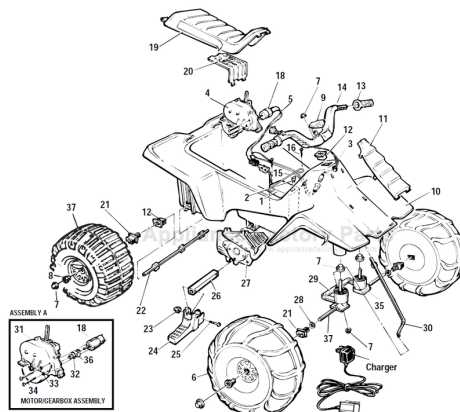


This Owner's Manual is provided and hosted by [Appliance Factory Parts](#).



FISHER PRICE 73561-AX3561 Owner's Manual

[Shop genuine replacement parts for FISHER PRICE
73561-AX3561](#)



[Find Your FISHER PRICE Ride On Parts - Select From 999 Models](#)

----- Manual continues below -----



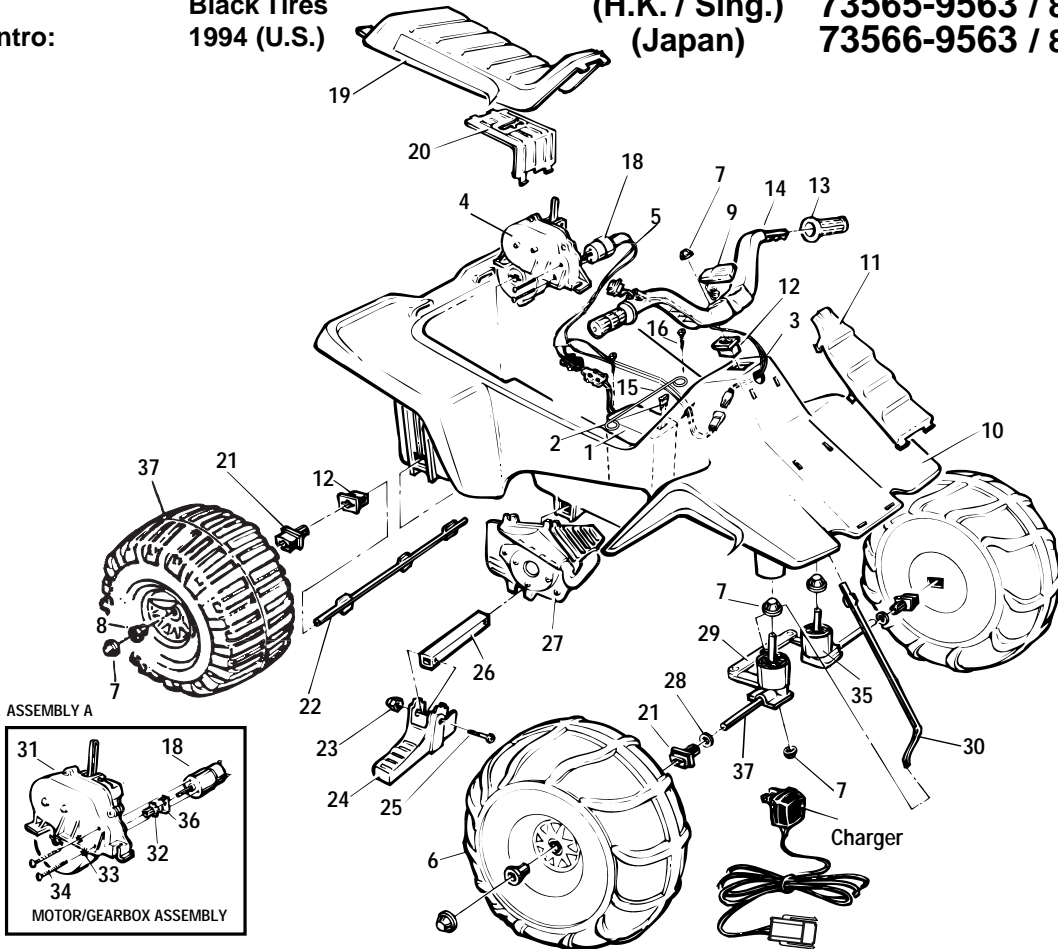
PARTS ≡ PIECES ≡ TEILEN ≡ PIEZAS

LIL SUZUKI®

Age Range: 1-3 Yrs.
 Weight Limit: 40 Lbs.
 Surfaces: Hard, Grass & Carpet
 Speed: 1 MPH
 Colors: Yellow Body
 Blue Seat & Handlebars
 Black Tires
 Intro: 1994 (U.S.)

(Generic Int'l)
 (Europe)
 (U.K.)
 (Can / Mex)
 (Australia)
 (H.K. / Sing.)
 (Japan)

73569-9563 / 83569 / AX3569
 73561-9563 / 8356901 / AX3561
 73562-9563 / 8356902 / AX3562
 73563-9563 / 8356903 / AX3563
 73564-9563 / 8356904 / AX3564
 73565-9563 / 8356905 / AX3565
 73566-9563 / 8356906 / AX3566



Rev. 07/08/03

Item #	Description	Part No.	Quantity	Item #	Description	Part No.	Quantity	Item #	Description	Part No.	Quantity
Article No.	Description	Pièce No.	Quantité	Article No.	Description	Pièce No.	Quantité	Article No.	Description	Pièce No.	Quantité
Warennr	Beschreibung	Tiel-Nr.	Menge	Warennr	Beschreibung	Tiel-Nr.	Menge	Warennr	Beschreibung	Tiel-Nr.	Menge
Item Nº	Descripción	Pieza Nº	Cantidad	Item Nº	Descripción	Pieza Nº	Cantidad	Item Nº	Descripción	Pieza Nº	Cantidad
1	Battery 6 Volt	0801-0431	1	19	Seat (NLA)	80067-0037	1	37	Rear Wheel	73237-2459	2
2	25 Amp Fuse Kit (2)	0801-0447	1	20	Motor Cover	73560-9489	1	PARTS NOT SHOWN			
3	Switch Assm.	78560-2799	1	21	Bushing w/Long Extension	78560-2659	4	Literature Bag	80034-0542	1	
4	#5 Motor Gearbox Assm	74504-9519	1	22	Rear Axle	74504-4539	1	Decal Sheet	73560-0310	1	
5	Wiring Harness (main)	74504-9059	1	23	Acorn Nut	0801-0218	2	REPLACEMENT CHARGERS			
6	Front Wheel	73237-2469	2	24	Footpeg	77440-2159	2	CHARGEURS DE RECHARGE			
7	.354 Cap Nut	0801-0251	8	25	1-1/4" Shoulder Bolt	0801-0304	2	ERSATZAUFLADUNGSGERÄTE			
8	Wheel Bushing	78560-2679	4	26	Footpeg Support	74504-2129	1	CARGADORES DE REPUESTO			
9	Microphone	74550-9479	1	27	False Motor Set	80021-0027	1	Charger, 6V-220V-50Hz-CT (NLA)	80004-0125	1	
10	Body	77440-2109	1	28	5/16" Washer	0801-0253	2	Charger, 6V-240V-50Hz-UK (NLA)	80004-0126	1	
11	Grill (NLA)	80065-0032	1	29	Steering Linkage	74504-4219	1	Charger, 6V-120V-60Hz-CM	0801-0243	1	
12	Bushing w/o Extension	74504-2549	2	30	Steering Column	80054-0046	1	Charger, S6V-240V-50Hz-AS	0801-0238	1	
13	Handgrips	73560-2129	2	31	#5 Gearbox Only	72629-9259	1	Charger, 6V-220V-50Hz-UK (NLA)	80004-0157	1	
14	Handlebar/Switch Assm. (NLA)	80029-0019	1	32	Motor Drive Gear	74504-2259	1	NLA = No Longer Available			
15	Battery Retainer	74504-4429	1	33	Star Washer	0801-0330	2				
16	#8 x 7/8" Trusshead Screw	0801-0228	2	34	Motor Bolt	0801-0269	2				
17	Front Axle	74504-4509	2	35	Front Post Bushing (NLA)	80009-0050	2				
18	Motor w/Pinion	74590-9539	1	36	D Lock Washer	0801-0329	1				

Items 5, 18, 31, 33, and 34 are to be purchased and installed by Service Centers only. These items may not be sold directly to consumers by Service Centers or Fisher-Price.

