

This Owner's Manual is provided and hosted by [Appliance Factory Parts](#).



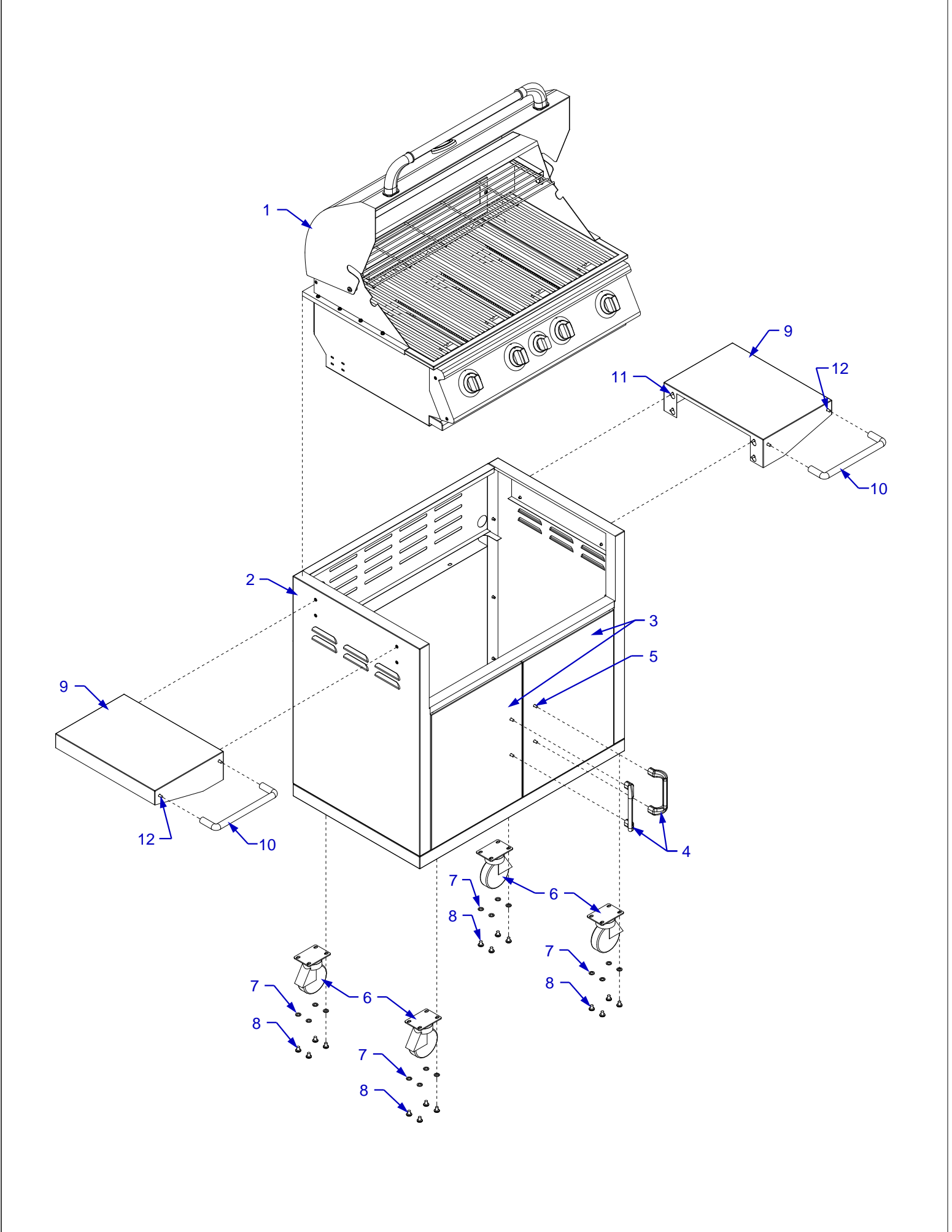
Urban Islands UI 4 Owner's Manual

[Shop genuine replacement parts for Urban Islands UI 4](#)



[Find Your Urban Islands Grill Parts - Select From 17 Models](#)

----- Manual continues below -----



PARTS LIST

REF #	DESCRIPTION	Qty
1	UI GRILL	1
2	CART BOTTOM	1
3	DOOR	2
4	DOOR HANDLE	2
5	DOOR HANDLE SCREW	4
6	WHEEL	4
7	WHEEL WASHER	16
8	WHEEL BOLT	16
9	SHELF	2
10	SHELF HANDLE	2
11	SHELF SCREW	8
12	SHELF HANDLE SCREW	4