

This Owner's Manual is provided and hosted by [Appliance Factory Parts](#).



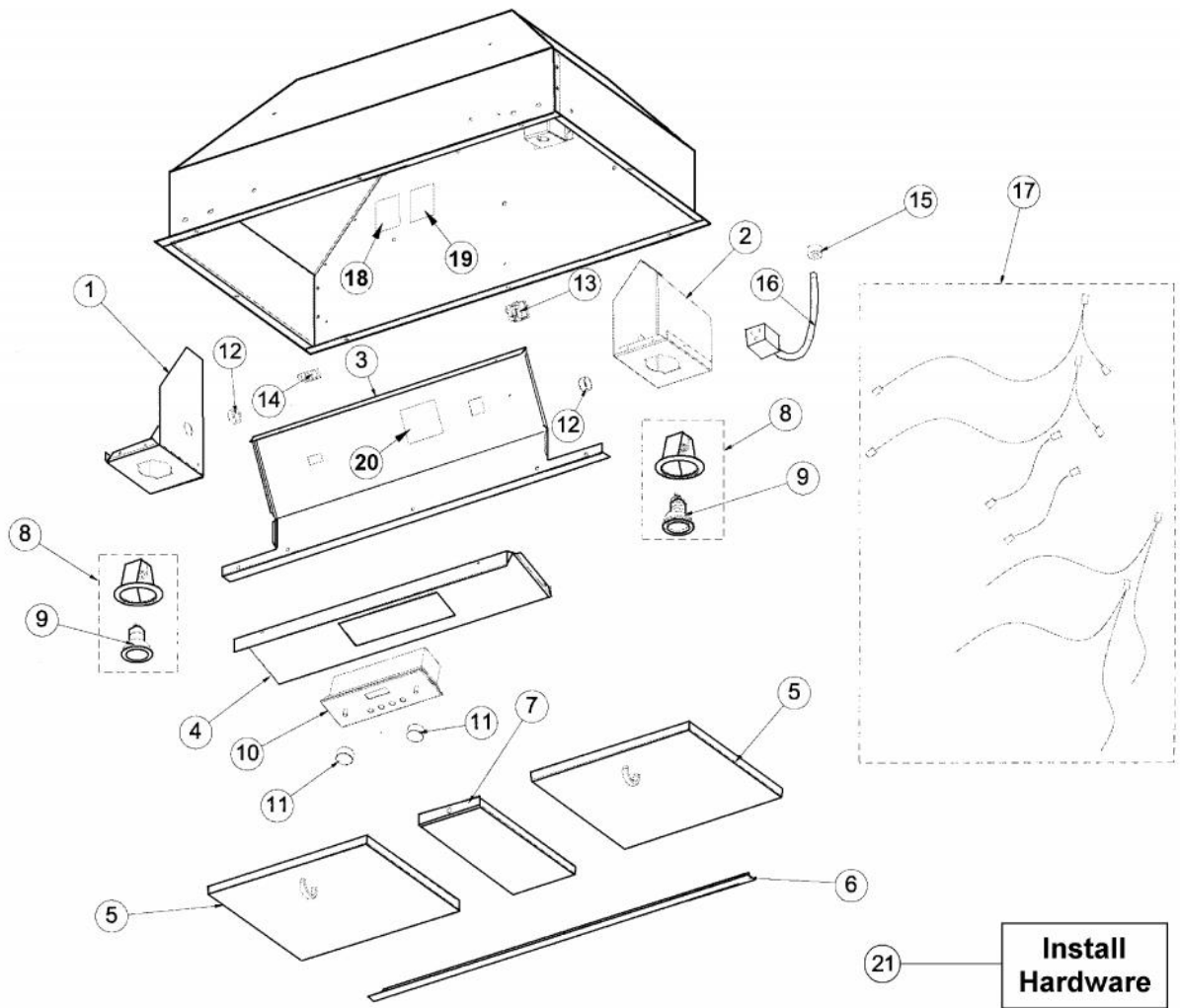
# VIKING DBCV3082 Owner's Manual

[Shop genuine replacement parts for VIKING DBCV3082](#)



[Find Your VIKING Range Hoods Parts - Select From 411 Models](#)

----- Manual continues below -----



Ref #	Part Number	Qty.	Description
1	B2008158		HOOD I/S SIDE RH DBCV3082
2	B2008159		HOOD I/S SIDE LH DBCV3082
3	B2008161		30 CONTROL PANEL TOP DBCV3082
	B20011014		CONTROL PANEL TOP (DBC3082)
4	B2008160		30 CONTROL PANEL DBCV3082
	B2009309		CONTROL PANEL - ULTRALINE
5	G31010266		30/42 FILTER ASSEMBLY 11.75 X 10.375
6	B2008165		30 FILTER SUPPORT DBCV3082
7	B2008197		FILTER SPACER DBCV3082 4.625 X 10.75
8	PE050064		LIGHT ASSEMBLY
9	PE050081		50 WATT HALOGEN BULB
10	PE050171		SS DESIGNER BLOWER/LIGHT CONTROL
11	PA010089		KNOB (DESIGNER SERIES HOOD)
12	PD040005		SNAP BUSHING - 7/8
13	PE070197		MALE SOCKET (3 PRONG)
14	PE070196		FEMALE SOCKET (2 PRONG)
15	PE070204		HEYCO STRAIN RELIEF - 7-P2
16	PE070205		3 PRONG FEMALE SUPPLY CORD
17	PE070413		DBC30/36/42 WIRE HARNESS
18	PE020058		RATING LABEL (ADHESIVE)
19	PF030337		HOOD WARNING LABEL
20	PF030468		COMPONENT WIRING LABEL
21	PD020010		10 X 3/8 GREEN GROUNDING SCREW
			INSTALL HARDWARE - QTY. 1
	PD030010		NO.10-24 KEPS NUT
			INSTALL HARDWARE - QTY. 4
	PD020139		NO.8 X 1/2 P.H. FLAT TOP TRUSS U/C NO.2 TYPE AB 30 SS/...
			INSTALL HARDWARE - QTY. 8
NI	PD020032		SRW-8(A)X3/8PH.WFR HD 7/16DIAXNICK
NI	PC040010		POP RIVET



Ref #	Part Number	Qty.	Description
-------	-------------	------	-------------