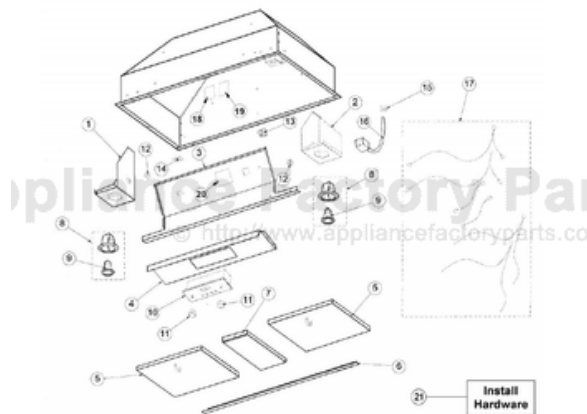


This Owner's Manual is provided and hosted by [Appliance Factory Parts](#).



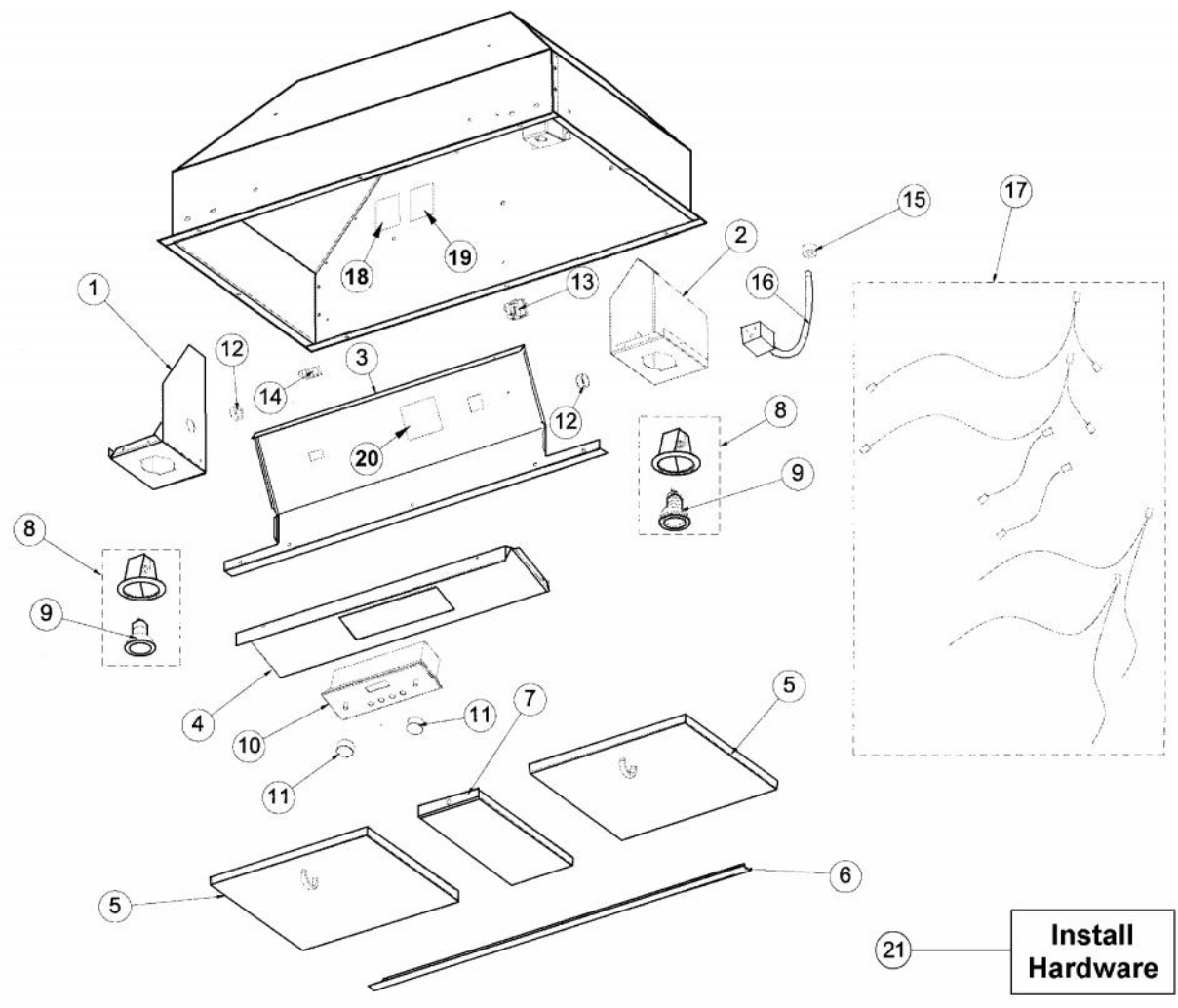
# VIKING DBCV3682 Owner's Manual

[Shop genuine replacement parts for VIKING DBCV3682](#)



[Find Your VIKING Range Hoods Parts - Select From 411 Models](#)

----- Manual continues below -----



Ref #	Part Number	Qty.	Description
1	B2008709		36 HOOD I/S SIDE RH DBCV3682
2	B2008710		36 HOOD I/S SIDE LH DBCV3682
3	B2008177		36 CONTROL PANEL TOP DBCV3682 (BEFORE 1/14/04)
	B20011015		CONTROL PANEL TOP (DBC36) FRONT (DIC36) (AFTER 1/14/04)
4	B2008176		36 CONTROL PANEL DBCV3682
	B2009310		CONTROL PANEL - ULTRALINE
5	G31010268		FILTER ASSEMBLY (DESIGNER) 13.848 X 10.375
6	B2008180		36 FILTER SUPPORT DBCV3682
7	B2008199		FILTER SPACER DBCV3682 6.5 X 10.75
8	PE050064		LIGHT ASSEMBLY
9	PE050081		50 WATT HALOGEN BULB
10	PE050171		SS DESIGNER BLOWER/LIGHT CONTROL
11	PA010089		KNOB (DESIGNER SERIES HOOD)
12	PD040005		SNAP BUSHING - 7/8
13	PE070197		MALE SOCKET (3 PRONG)
14	PE070196		FEMALE SOCKET (2 PRONG)
15	PE070204		HEYCO STRAIN RELIEF - 7-P2
16	PE070205		3 PRONG FEMALE SUPPLY CORD
17	PE070413		DBC30/36/42 WIRE HARNESS
18	PE020058		RATING LABEL (ADHESIVE)
19	PF030337		HOOD WARNING LABEL
20	PF030468		COMPONENT WIRING LABEL
21	PD020010		10 X 3/8 GREEN GROUNDING SCREW INSTALL HARDWARE - QTY. 1
	PD030010		NO.10-24 KEPS NUT INSTALL HARDWARE - QTY. 4
	PD020139		NO.8 X 1/2 P.H. FLAT TOP TRUSS U/C NO.2 TYPE AB 30 SS/... INSTALL HARDWARE - QTY. 8
NI	PD020032		SRW-8(A)X3/8PH.WFR HD 7/16DIAXNICL
NI	PC040010		POP RIVET



Ref #	Part Number	Qty.	Description
-------	-------------	------	-------------