

This Owner's Manual is provided and hosted by [Appliance Factory Parts](#).



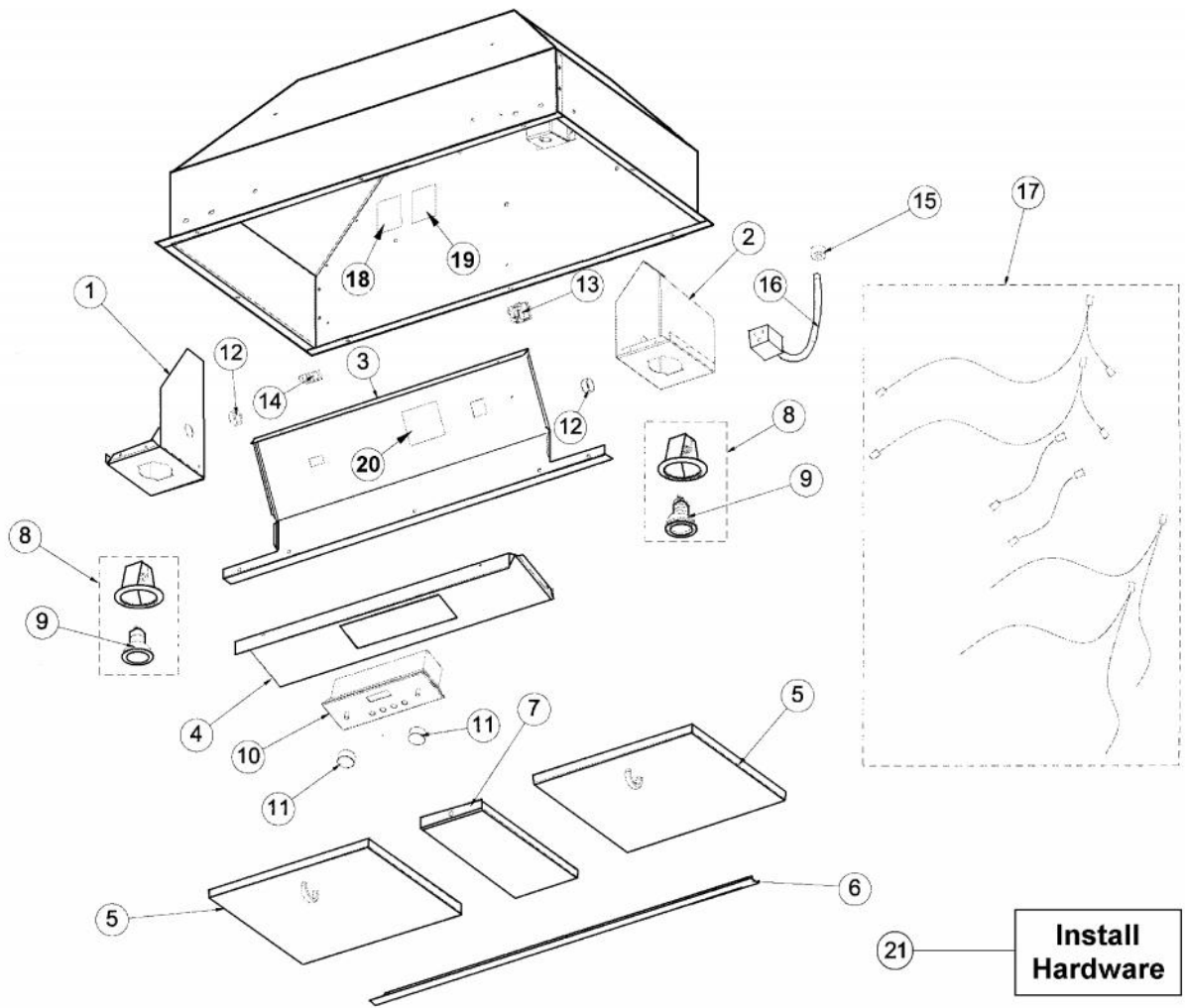
# VIKING DBCV4282 Owner's Manual

[Shop genuine replacement parts for VIKING DBCV4282](#)



[Find Your VIKING Range Hoods Parts - Select From 411 Models](#)

----- Manual continues below -----



Ref #	Part Number	Qty.	Description
1	B2008711		I/S SIDE PANEL - RH
2	B2008712		42 HOOD I/S SIDE LH DBCV4282
3	B2008184		42 CONTROL PANEL TOP DBCV4282
	B20011016		CONTROL PANEL TOP (DBC42) FRONT (DIC42)
4	B2008183		42 CONTROL PANEL DBCV4282
	B2009311		CONTROL PANEL - ULTRALINE
5	G31010266		30/42 FILTER ASSEMBLY 11.75 X 10.375
6	B2008187		42 FILTER SUPPORT DBCV4282
7	B2008199		FILTER SPACER DBCV3682 6.5 X 10.75
8	PE050064		LIGHT ASSEMBLY
9	PE050081		50 WATT HALOGEN BULB
10	PE050171		SS DESIGNER BLOWER/LIGHT CONTROL
11	PA010089		KNOB (DESIGNER SERIES HOOD)
12	PD040005		SNAP BUSHING - 7/8
13	PE070197		MALE SOCKET (3 PRONG)
14	PE070196		FEMALE SOCKET (2 PRONG)
15	PE070204		HEYCO STRAIN RELIEF - 7-P2
16	PE070205		3 PRONG FEMALE SUPPLY CORD
17	PE070413		DBC42/36/42 WIRE HARNESS
18	PE020058		RATING LABEL (ADHESIVE)
19	PF030337		HOOD WARNING LABEL
20	PF030468		COMPONENT WIRING LABEL
21	PD020010		10 X 3/8 GREEN GROUNDING SCREW
			INSTALL HARDWARE - QTY. 1
	PD030010		NO.10-24 KEPS NUT
			INSTALL HARDWARE - QTY. 4
	PD020139		NO.8 X 1/2 P.H. FLAT TOP TRUSS U/C NO.2 TYPE AB 30 SS/...
			INSTALL HARDWARE - QTY. 8
NI	PD020032		SRW-8(A)X3/8PH.WFR HD 7/16DIAXNCL
NI	PC040010		POP RIVET



Ref #	Part Number	Qty.	Description
-------	-------------	------	-------------