

This Owner's Manual is provided and hosted by [Appliance Factory Parts](#).



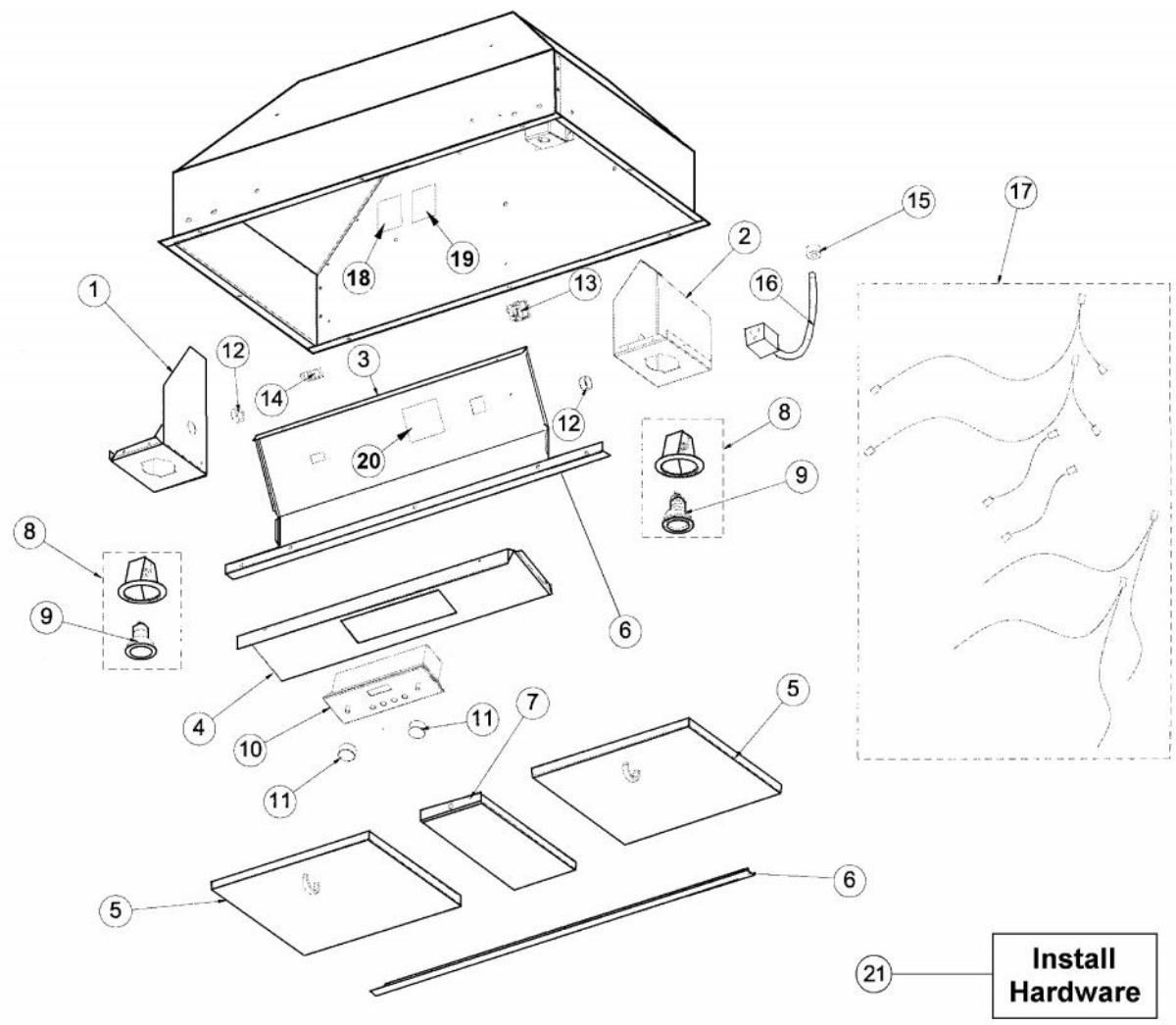
VIKING DBCV4882 Owner's Manual

[Shop genuine replacement parts for VIKING DBCV4882](#)



[Find Your VIKING Range Hoods Parts - Select From 411 Models](#)

----- Manual continues below -----



Ref #	Part Number	Qty.	Description
1	B2008713		48 HOOD I/S SIDE RH DBC4882
2	B2008714		48 HOOD I/S SIDE LH DBC4882
3	B2008191		48 CONTROL PANEL TOP DBC4882 (BEFORE 1/14/04)
	B20011017		CONTROL PANEL TOP (DBC48) (AFTER 1/14/04)
4	B2008190		48 CONTROL PANEL DBC4882
	B2009312		CONTROL PANEL - ULTRALINE
5	G31010268	2	FILTER ASSEMBLY (DESIGNER) 13.848 X 10.375
6	B2008194		48 FILTER SUPPORT DBC4882
7	B2008198	1	FILTER SPACER DBC42/4882 2.313 X 10.75
8	PE050064		LIGHT ASSEMBLY
9	PE050081		50 WATT HALOGEN BULB
10	PE050171		SS DESIGNER BLOWER/LIGHT CONTROL
11	PA010089		KNOB (DESIGNER SERIES HOOD)
12	PD040005		SNAP BUSHING - 7/8
13	PE070197		MALE SOCKET (3 PRONG)
14	PE070196		FEMALE SOCKET (2 PRONG)
15	PE070204		HEYCO STRAIN RELIEF - 7-P2
16	PE070205		3 PRONG FEMALE SUPPLY CORD
17	PE070414		DBC48 WIRE HARNESS
18	PE020058		RATING LABEL (ADHESIVE)
19	PF030337		HOOD WARNING LABEL
20	PF030468		COMPONENT WIRING LABEL
21	PD020010		10 X 3/8 GREEN GROUNDING SCREW INSTALL HARDWARE - QTY. 1
	PD030010		NO.10-24 KEPS NUT INSTALL HARDWARE - QTY. 4
	PD020139		NO.8 X 1/2 P.H. FLAT TOP TRUSS U/C NO.2 TYPE AB 30 SS/... INSTALL HARDWARE - QTY. 8
NI	PD020032		SRW-8(A)X3/8PH.WFR HD 7/16DIAXNICL
NI	PC040010		POP RIVET



Ref #	Part Number	Qty.	Description
-------	-------------	------	-------------
