

This Owner's Manual is provided and hosted by [Appliance Factory Parts](#).



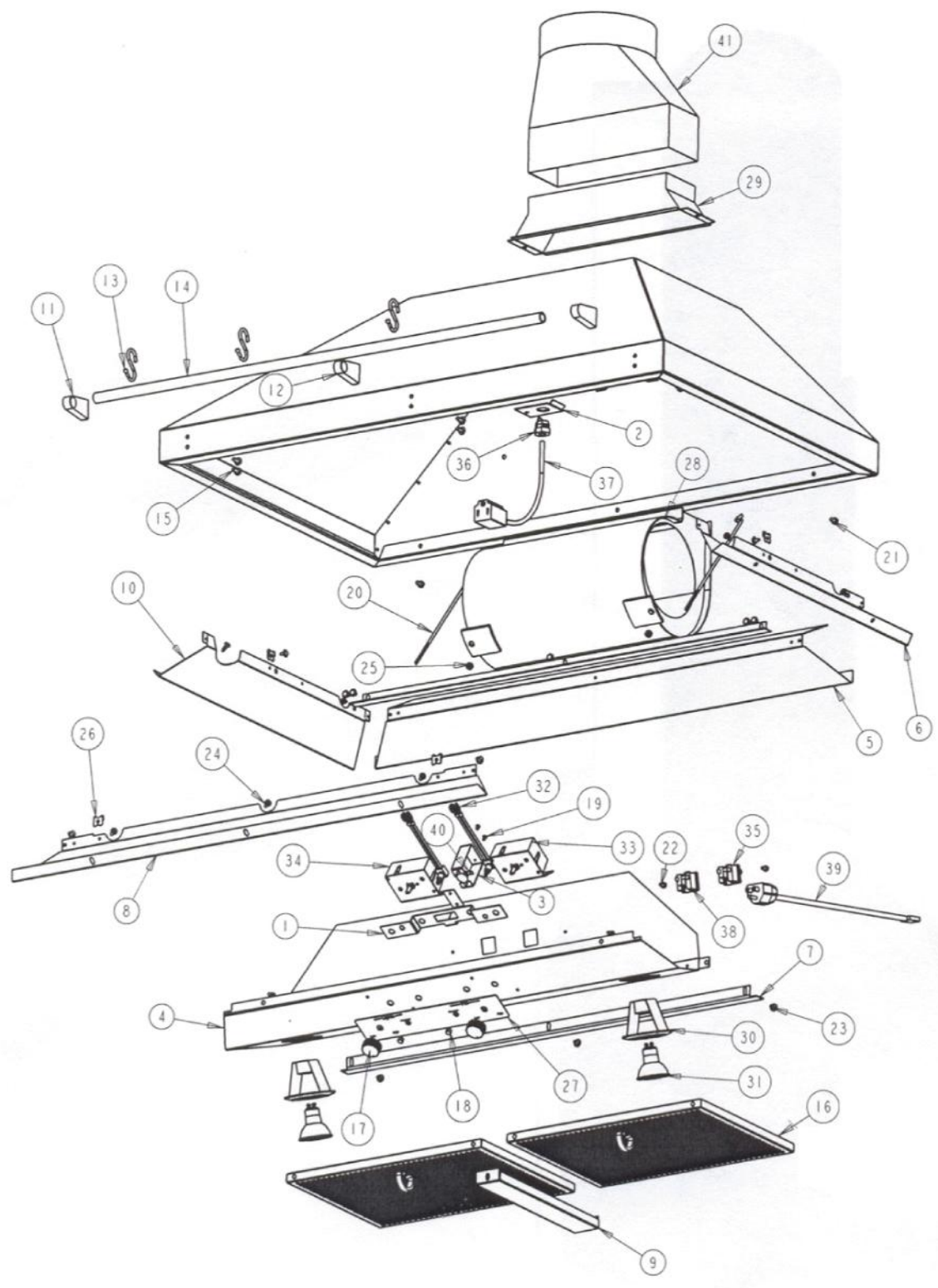
# VIKING DCH3642 Owner's Manual

[Shop genuine replacement parts for VIKING DCH3642](#)



[Find Your VIKING Range Hoods Parts - Select From 411 Models](#)

----- Manual continues below -----



Ref #	Part Number	Qty.	Description
1	A20010270		LT/FAN SWITCH BRKT (DCH30/36)
2	A2003826		ROUGH IN BOX COVER (VWH30/3610)
3	A2103810		THERMODISC BRACKET
4	B20010260		CONTROL PANEL (DCH3642)
5	B2004665		36 I/S REAR PANEL
6	B2004667		I/S SIDE PANEL RH (DTWS/L/N DSWB)
7	B2004673		FILTER SUPT. FRONT/REAR
8	B2004675		36 FRONT I/S PANEL
9	002554-000		DESIGNER FILTER SPACER 1.75 X 11.402 (DTWS36/DTWN4...
10	B2005027		I/S SIDE PANEL LH (DTWS/L/N DSWB)
11	PE030054		END CAP - SS
	PE030055		END CAP - BR
12	PE030052		SUPPORT TUBE, HOLE THROUGH
	PE030053		MIDDLE RAIL SUPPORT - BR
13	PE030076		CHROME S HOOKS REPL PV100012SS
	PE030077		BR `S` HOOKS REPL PV100012BR
14	PE030058		36 ACCESSORY RAIL SS
	PE030059		36 BRASS ACCESSORY RAIL
15	PD010003		10-24 X 1/2 PH.TR.HD.SERD.M.S.
16	G31010268		FILTER ASSEMBLY (DESIGNER) 13.848 X 10.375
17	PA010089		KNOB (DESIGNER SERIES HOOD)
18	PA010093		DESIGNER OVEN LT SWITCH KNOB
19	PC040010		POP RIVET
20	PD010035		BLOWER MTG ROD NO.10-24 99420464
21	PD020004		10X3/8PH.HD.TYPE 25 REPL PD040125
22	PD020010		10 X 3/8 GREEN GROUNDING SCREW
23	PD020032		SRW-8(A)X3/8PH.WFR HD 7/16DIAXNICL
24	PD020087		10 X 1/2 PAN PH. TEK ZINC
25	PD030010		NO.10-24 KEPS NUT
26	PD030059		TINNERMAN CLIP
27	PE040232		CONTROL PANEL W/ GRAPHICS (DCH30/36)
28	PE050042		BLOWER INT 460 CFM 97007542
29	PE050043		DAMPER/TRANSITION 460 CFM 97006078
30	PE050064		LIGHT ASSEMBLY
31	PE050081		50 WATT HALOGEN BULB
32	PE050168		DCH FAN/LIGHT SWITCH (DCH30/36)
33	PE050169		BLOWER CONTROL (DCH30/36)
34	PE050170		LIGHT CONTROL (VIH54/66 DCH30/36 VCIH54/66)
35	PE070197		MALE SOCKET (3 PRONG)
36	PE070204		HEYCO STRAIN RELIEF - 7-P2
37	PE070205		3 PRONG FEMALE SUPPLY CORD
38	PE070541		3-PRONG FEMALE SOCKET
39	PE070542		3-PRONG MALE CORD W/AMP CON
40	PJ030014		HEAT SENSOR (N.O.) 160 DEG.
41	PM010045		3 1/4 X 10 RECT. TO 7 DIA(TRANS)