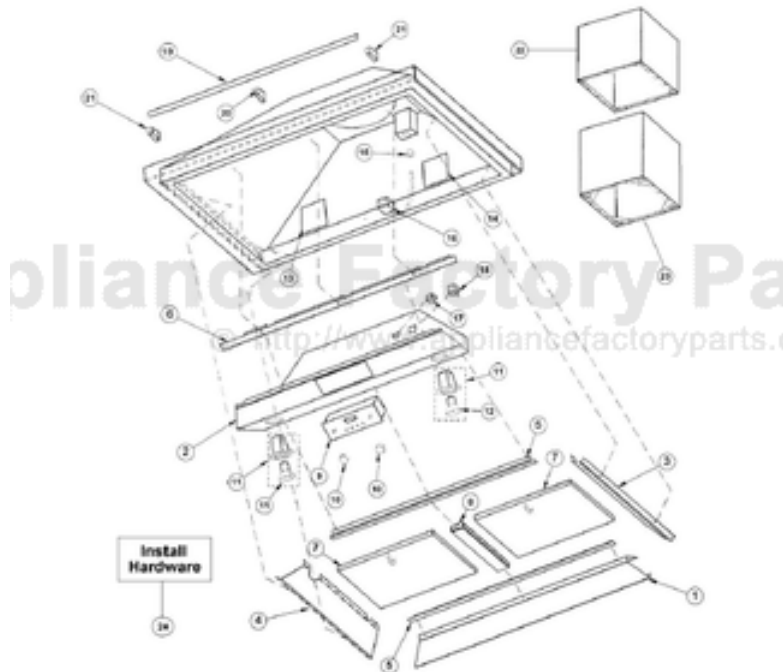


This Owner's Manual is provided and hosted by [Appliance Factory Parts](#).



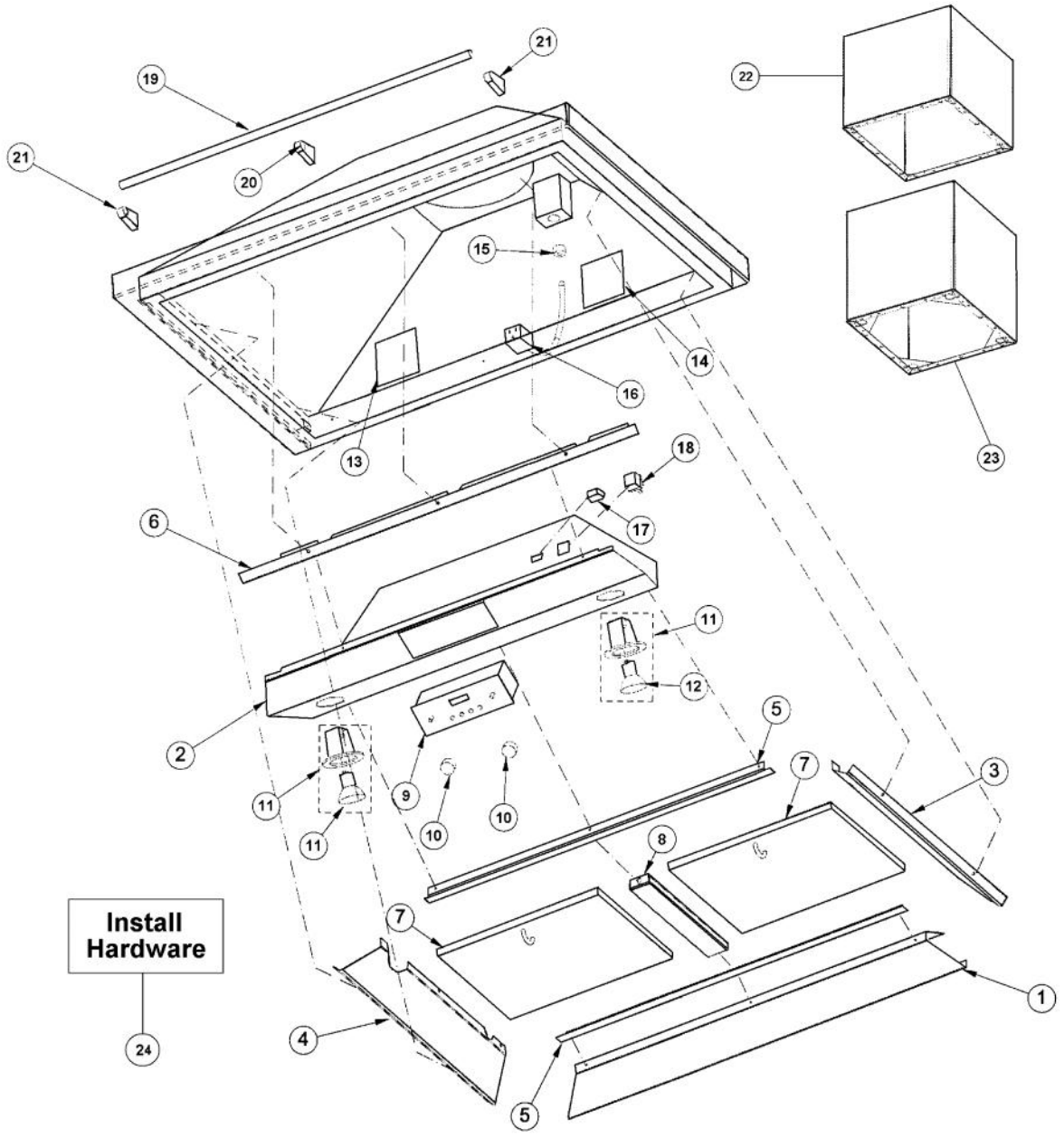
# VIKING DCWH3042 Owner's Manual

[Shop genuine replacement parts for VIKING DCWH3042](#)



[Find Your VIKING Range Hoods Parts - Select From 411 Models](#)

----- Manual continues below -----



| Ref # | Part Number | Qty. | Description   |
|-------|-------------|------|---|
| 1     | B2004691    |      | 30 I/S REAR PANEL                                     |
| 2     | B2004692    |      | 30 CONTROL PANEL                                      |
| 3     | B2004667    |      | I/S SIDE PANEL RH (DTWS/L/N DSWB)<br>(BEFORE 7/25/03) |
|       | B2007323    |      | I/S SIDE PANEL - RH<br>(AFTER 7/25/03)                |
| 4     | B2005027    |      | I/S SIDE PANEL LH (DTWS/L/N DSWB)<br>(BEFORE 7/25/03) |
|       | B2007324    |      | I/S SIDE PANEL - LH<br>(AFTER 7/25/03)                |
| 5     | B2004693    |      | 30 FILTER SUPT. FRONT/REAR                            |
| 6     | B2004695    |      | 30 FRONT I/S PANEL                                    |
| 7     | G31010266   |      | 30/42 FILTER ASSEMBLY 11.75 X 10.375                  |
| 8     | N/A         |      | O/S DOOR PANEL ASSY (BEFORE 2/15/02)                  |
| 9     | PE050171    |      | SS DESIGNER BLOWER/LIGHT CONTROL                      |
| 10    | PA010089    |      | KNOB (DESIGNER SERIES HOOD)                           |
| 11    | PE050064    |      | LIGHT ASSEMBLY  |
| 12    | PE050081    |      | 50 WATT HALOGEN BULB                                  |
| 13    | PE020058    |      | RATING LABEL (ADHESIVE)                               |
| 14    | PF030337    |      | HOOD WARNING LABEL                                    |
| 15    | PE070204    |      | HEYCO STRAIN RELIEF - 7-P2                            |
| 16    | PE070205    |      | 3 PRONG FEMALE SUPPLY CORD                            |
| 17    | PE070196    |      | FEMALE SOCKET (2 PRONG)                               |
| 18    | PE070197    |      | MALE SOCKET (3 PRONG)                                 |
| 19    | PE030120    |      | ACCESSORY RAIL - SS                                   |
|       | F1003869    |      | 30" ACCESSORY RAIL - BR                               |
|       | PE030053    |      | MIDDLE RAIL SUPPORT - BR                              |
| 20    | PE030053    |      | MIDDLE RAIL SUPPORT - BR                              |
| 21    | PE030055    |      | END CAP - BR  |
|       | PE030054    |      | END CAP - SS  |
| NI    | PE030077    |      | BR `S` HOOKS REPL PV100012BR                          |
|       | PE030076    |      | CHROME S HOOKS REPL PV100012SS                        |
| 22    | G3105022SS  |      | DUCT COVER TOP ASSY 10X12 (DCWH/L30)                  |
|       | G9005022BK  |      | DUCT COVER TOP - BK                                   |
|       | G9005022BT  |      | DUCT COVER TOP - BT                                   |
|       | G9005022GG  |      | DUCT CVR TOP (DCWH/L 3042)XGGX                        |
|       | G9005022SG  |      | DUCT COVER TOP - SG                                   |
|       | G9005022WH  |      | DUCT CVR TOP (DCWH/L 3042)XWHX                        |
| 23    | G3106249SS  |      | DUCT CVR BTM ASSY 10X12 (DCWH/L3042)XSSX              |
|       | G9006249BK  |      | DUCT COVER BOTTOM - BK                                |
|       | G9006249BT  |      | DUCT COVER BOTTOM - BT                                |
|       | G9006249GG  |      | DUCT CVR BTM (DCWH/L 3042)XGGX                        |
|       | G9006249SG  |      | DUCT COVER BOTTOM - SG                                |
|       | G9006249WH  |      | DUCT CVR BTM DCWH/L 3042 WH                           |
| 24    | PD020009    |      | 10 X 1 PH. HD. PAN HD. SMS                            |
|       | PD020002    |      | 10 X 1/2 PH.TR.HD.SMS.                                |
|       | PD010002    |      | INSTALL HARDWARE - QTY. 6                             |
|       | PD030020    |      | INSTALL HARDWARE - QTY. 6                             |
|       |             |      | 10-24 X 3/8 HEX W/HD M.S.                             |
|       |             |      | SPRING CLIP - NO.8056201 FKVUD                        |
|       |             |      | INSTALL HARDWARE - QTY. 4                             |
|       |             |      | INSTALL HARDWARE - QTY. 4                             |
|       | PD020010    |      | 10 X 3/8 GREEN GROUNDING SCREW                        |
|       |             |      | INSTALL HARDWARE - QTY. 1                             |
| NI    | PE070384    |      | DWH30/36/42 WIRE HARNESS                              |
| NI    | 019209-000  | 1    | 30 FILTER SUPPORT KIT                                 |



| Ref # | Part Number | Qty. | Description |
|-------|-------------|------|-------------|
|-------|-------------|------|-------------|

---