

This Owner's Manual is provided and hosted by [Appliance Factory Parts](#).



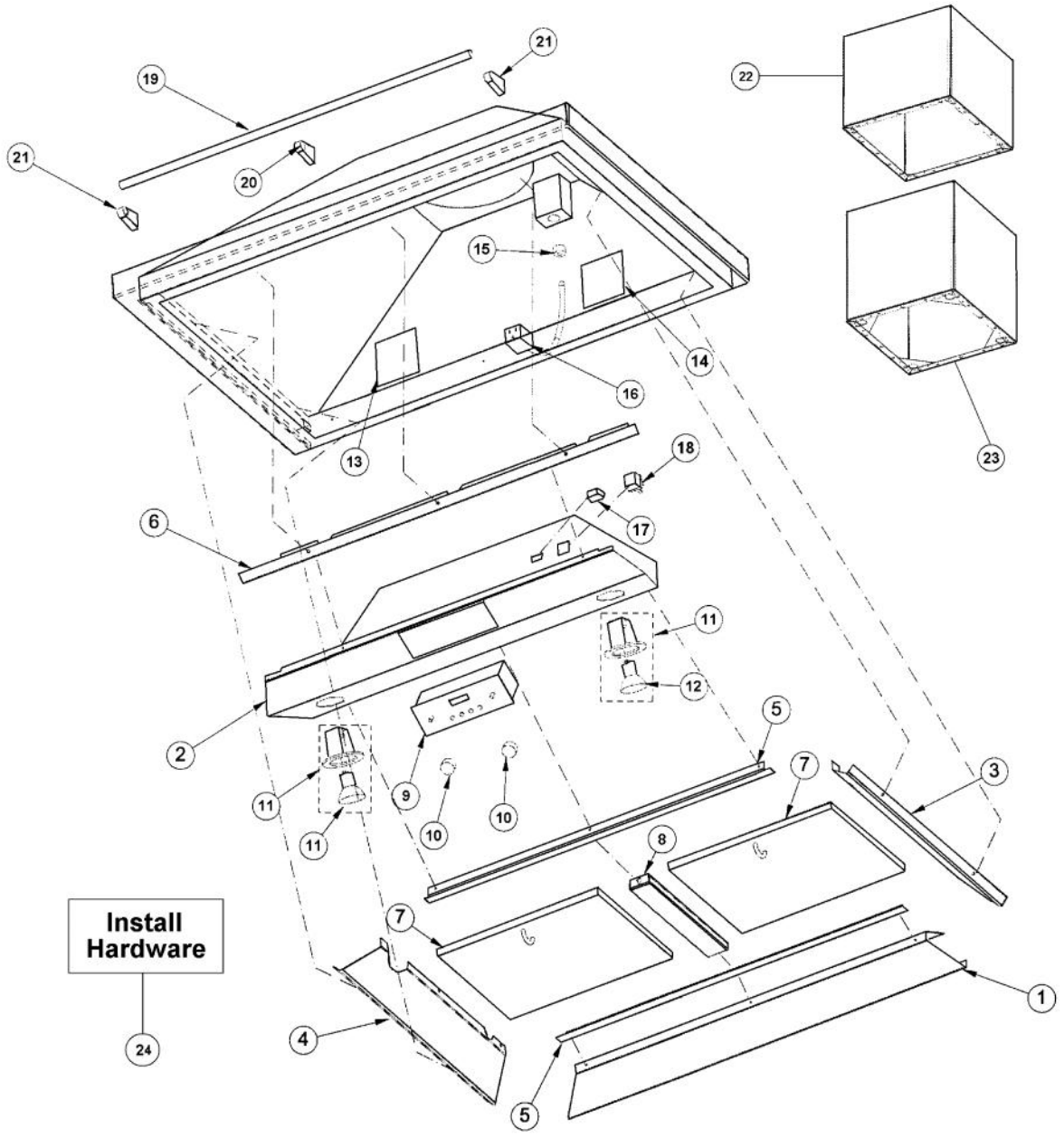
# VIKING DCWN3644 Owner's Manual

[Shop genuine replacement parts for VIKING DCWN3644](#)



[Find Your VIKING Range Hoods Parts - Select From 411 Models](#)

----- Manual continues below -----



Ref #	Part Number	Qty.	Description
1	B2004665		36 I/S REAR PANEL
2	B2004666		36 CONTROL PANEL
3	B2004667		I/S SIDE PANEL RH (DTWS/L/N DSWB) (BEFORE 7/25/03)
	B2007323		I/S SIDE PANEL - RH (AFTER 7/25/03)
4	B2005027		I/S SIDE PANEL LH (DTWS/L/N DSWB) (BEFORE 7/25/03)
	B2007324		I/S SIDE PANEL - LH (AFTER 7/25/03)
5	B2004673		FILTER SUPT. FRONT/REAR
6	B2004675		36 FRONT I/S PANEL
7	G31010268		FILTER ASSEMBLY (DESIGNER) 13.848 X 10.375
8	B2005018		DCWH36 FILTER SPACER 1.75 X 10.784
9	PE050171		SS DESIGNER BLOWER/LIGHT CONTROL
10	PA010089		KNOB (DESIGNER SERIES HOOD)
11	PE050064		LIGHT ASSEMBLY
12	PE050081		50 WATT HALOGEN BULB
13	PE020058		RATING LABEL (ADHESIVE)
14	PF030337		HOOD WARNING LABEL
15	PE070204		HEYCO STRAIN RELIEF - 7-P2
16	PE070205		3 PRONG FEMALE SUPPLY CORD
17	PE070196		FEMALE SOCKET (2 PRONG)
18	PE070197		MALE SOCKET (3 PRONG)
19	PE030058		36 ACCESSORY RAIL SS
	PE030059		36 BRASS ACCESSORY RAIL
20	PE030053		MIDDLE RAIL SUPPORT - BR
	PE030053		MIDDLE RAIL SUPPORT - BR
21	PE030055		END CAP - BR
	PE030054		END CAP - SS
NI	PE030077		BR `S` HOOKS REPL PV100012BR
	PE030076		CHROME S HOOKS REPL PV100012SS
22	G3105020SS		DUCT CVR TOP ASSY 12X12 DCWH/L36/42
	G9005020BK		DUCT CVR TOP (DCWH/L 3644)XBKX
	G9005020BT		DUCT CVR TOP (DCWH/L 3644)XBTX
	G9005020GG		DUCT CVR TOP (DCWH/L36/42)XGGX
	G9005020SG		DUCT CVR TOP (DCWH/L 3644)XSGX
	G9005020WH		DUCT CVR TOP (DCWH/L 3644) XWHX
23	G3106243SS		DUCT CVR BTM ASSY 12X12 DCWH/L36/42XSSX
	G9006243BK		DUCT CVR BTM (DCWH/L 3644) XBKX
	G9006243BT		DUCT CVR BTM (DCWH/L 3644)XBTX
	G9006243GG		DUCT CVR BTM (DCWH/L36/42)XGGX
	G9006243SG		DUCT CVR BTM (DCWH/L 3644)XSGX
	G9006243WH		DUCT CVR BTM (DCWH/L 3644)XWHX
24	PD020009		10 X 1 PH. HD. PAN HD. SMS INSTALL HARDWARE - QTY. 6
	PD020002		10 X 1/2 PH.TR.HD.SMS. INSTALL HARDWARE - QTY. 6
	PD010002		10-24 X 3/8 HEX W/HD M.S. INSTALL HARDWARE - QTY. 4
	PD030020		SPRING CLIP - NO.8056201 FKVUD INSTALL HARDWARE - QTY. 4
	PD020010		10 X 3/8 GREEN GROUNDING SCREW INSTALL HARDWARE - QTY. 1
NI	PE070384		DWH30/36/42 WIRE HARNESS
NI	019210-000		36 FILTER SUPPORT KIT



Ref #	Part Number	Qty.	Description
-------	-------------	------	-------------