

This Owner's Manual is provided and hosted by [Appliance Factory Parts](#).



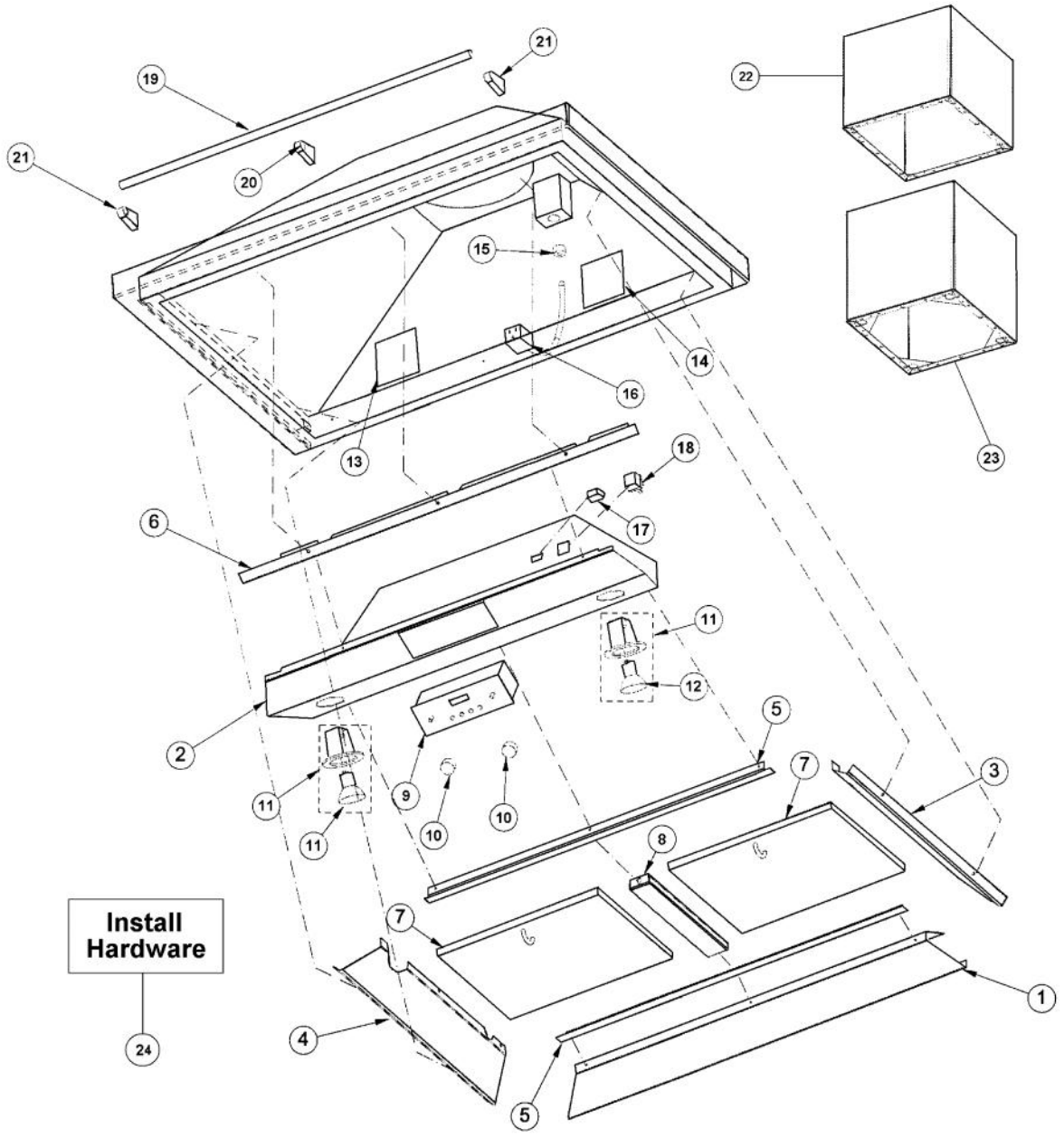
VIKING DCWN4844 Owner's Manual

[Shop genuine replacement parts for VIKING DCWN4844](#)



[Find Your VIKING Range Hoods Parts - Select From 411 Models](#)

----- Manual continues below -----



Ref #	Part Number	Qty.	Description
1	B2004681		48 REAR I/S PANEL
2	B2004682		48 CONTROL PANEL
3	B2004667		I/S SIDE PANEL RH (DTWS/L/N DSWB) (BEFORE 7/25/03)
	B2007323		I/S SIDE PANEL - RH (AFTER 7/25/03)
4	B2005027		I/S SIDE PANEL LH (DTWS/L/N DSWB) (BEFORE 7/25/03)
	B2007324		I/S SIDE PANEL - LH (AFTER 7/25/03)
5	B2004683		FILTER SUPPORT FRONT/REAR
6	B2004685		48 FRONT I/S PANEL
7	G31010266		30/42 FILTER ASSEMBLY 11.75 X 10.375
8	B2008196		FILTER SPACER (DCWN4844)
9	PE050171		SS DESIGNER BLOWER/LIGHT CONTROL
10	PA010089		KNOB (DESIGNER SERIES HOOD)
11	PE050064		LIGHT ASSEMBLY
12	PE050081		50 WATT HALOGEN BULB
13	PE020058		RATING LABEL (ADHESIVE)
14	PF030337		HOOD WARNING LABEL
15	PE070204		HEYCO STRAIN RELIEF - 7-P2
16	PE070205		3 PRONG FEMALE SUPPLY CORD
17	PE070196		FEMALE SOCKET (2 PRONG)
18	PE070197		MALE SOCKET (3 PRONG)
19	PE030066		48 ACCESSORY RAIL SS
	PE030067		48 ACCESSORY RAIL BR
20	PE030053		MIDDLE RAIL SUPPORT - BR
	PE030053		MIDDLE RAIL SUPPORT - BR
21	PE030055		END CAP - BR
	PE030054		END CAP - SS
NI	PE030077		BR `S` HOOKS REPL PV100012BR
	PE030076		CHROME S HOOKS REPL PV100012SS
22	G3105021SS		DUCT CVR TOP ASSY 18X12(DCWH/L4844)
	G9005021BK		DUCT CVR TOP ASSY (DCWH/L 4844)XBKX
	G9005021BT		DUCT CVR TOP (DCWH/L 4844)XBTX
	G9005021GG		DUCT CVR TOP (DCWH/L 4844)XGGX
	G9005021SG		DUCT CVR TOP (DCWH/L 4844)XSGX
	G9005021WH		DUCT CVR TOP (DCWH/L 4844)XWHX
23	G3106246SS		DUCT CVR BTM ASSY18X12(DCWH/L4844)
	G9006246BK		DUCT COVER BOTTOM - BK
	G9006246BT		DUCT COVER BOTTOM - BT
	G9006246GG		DUCT CVR BTM (DCWH/L 4844)XGGX
	G9006246SG		DUCT COVER BOTTOM - SG
	G9006246WH		DUCT COVER BOTTOM - WH
24	PD020009		10 X 1 PH. HD. PAN HD. SMS INSTALL HARDWARE - QTY. 6
	PD020002		10 X 1/2 PH.TR.HD.SMS. INSTALL HARDWARE - QTY. 6
	PD010002		10-24 X 3/8 HEX W/HD M.S. INSTALL HARDWARE - QTY. 4
	PD030020		SPRING CLIP - NO.8056201 FKVUD INSTALL HARDWARE - QTY. 4
	PD020010		10 X 3/8 GREEN GROUNDING SCREW INSTALL HARDWARE - QTY. 1
NI	PE070385		DWH48 WIRE HARNESS
NI	019212-000	1	48 FILTER SUPPORT KIT



Ref #	Part Number	Qty.	Description
-------	-------------	------	-------------
