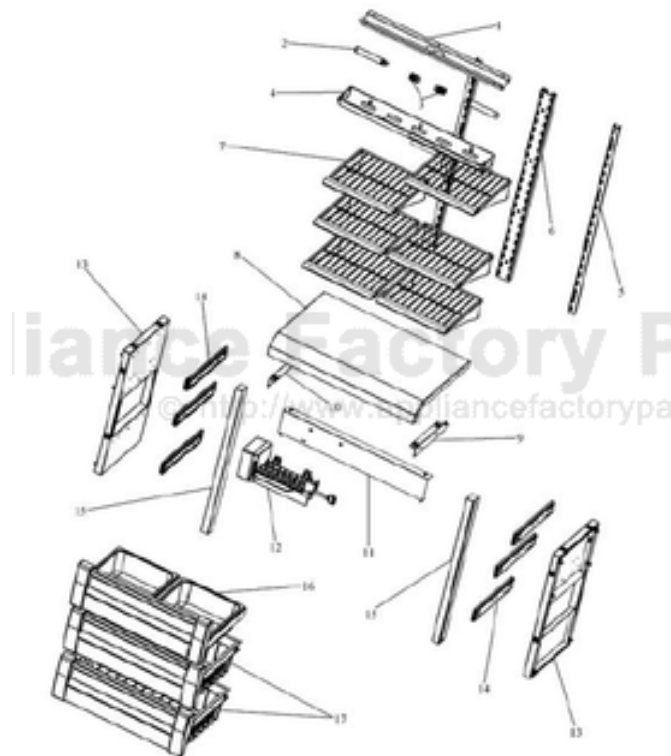


This Owner's Manual is provided and hosted by [Appliance Factory Parts](#).



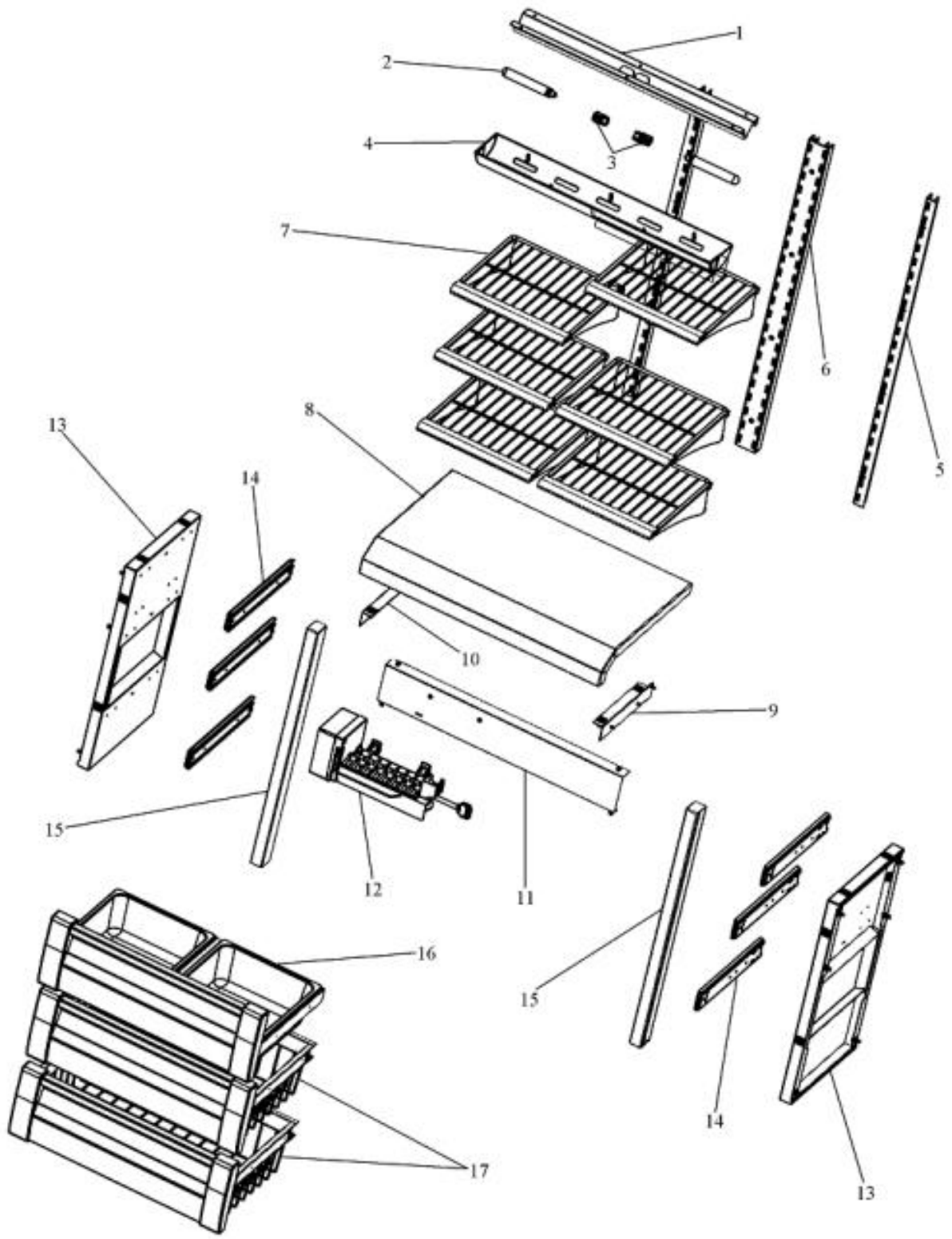
# VIKING DDFB304\_1 Owner's Manual

[Shop genuine replacement parts for VIKING  
DDFB304\\_1](#)

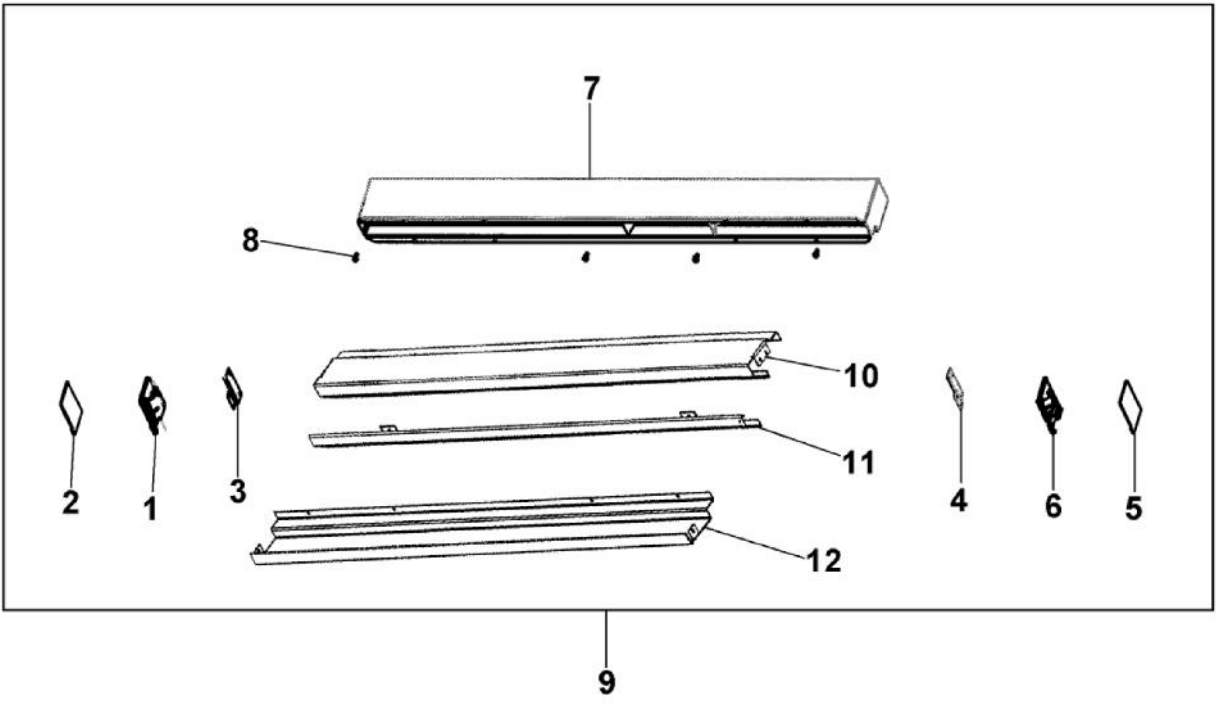


[Find Your VIKING Refrigerator Parts - Select From 341 Models](#)

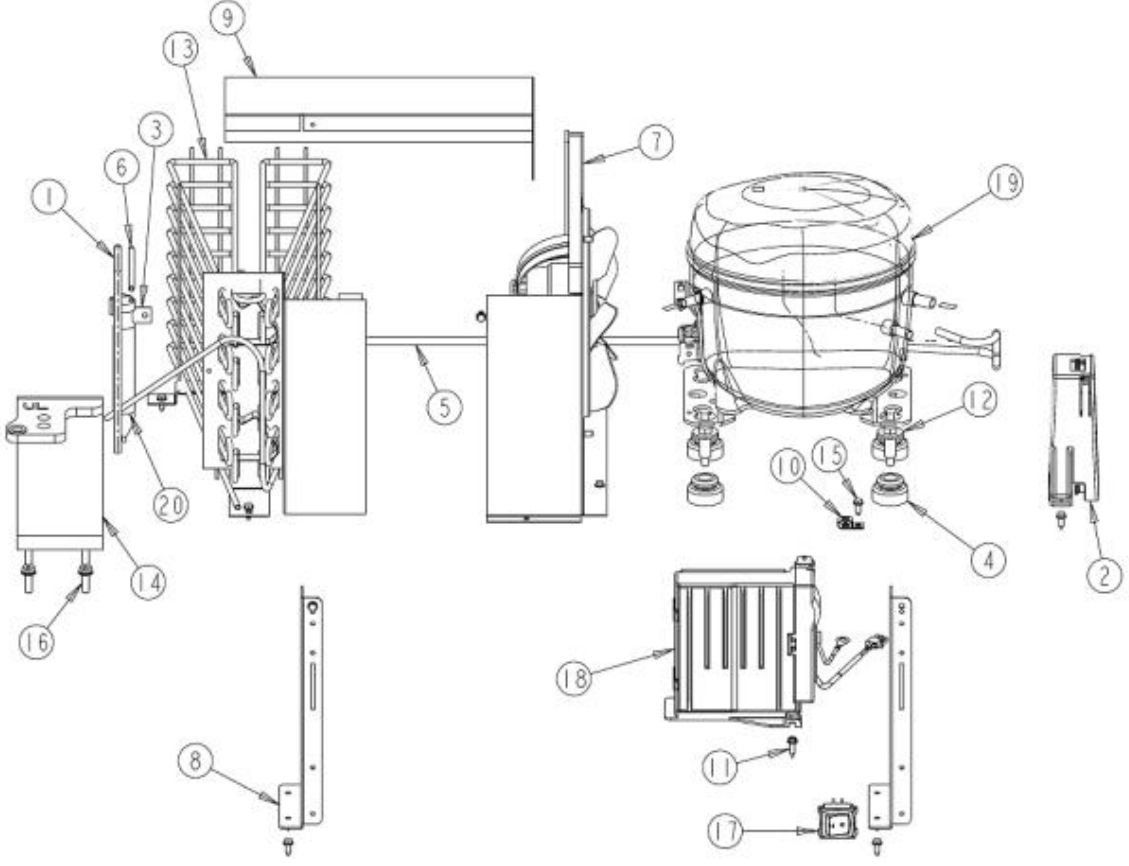
----- Manual continues below -----



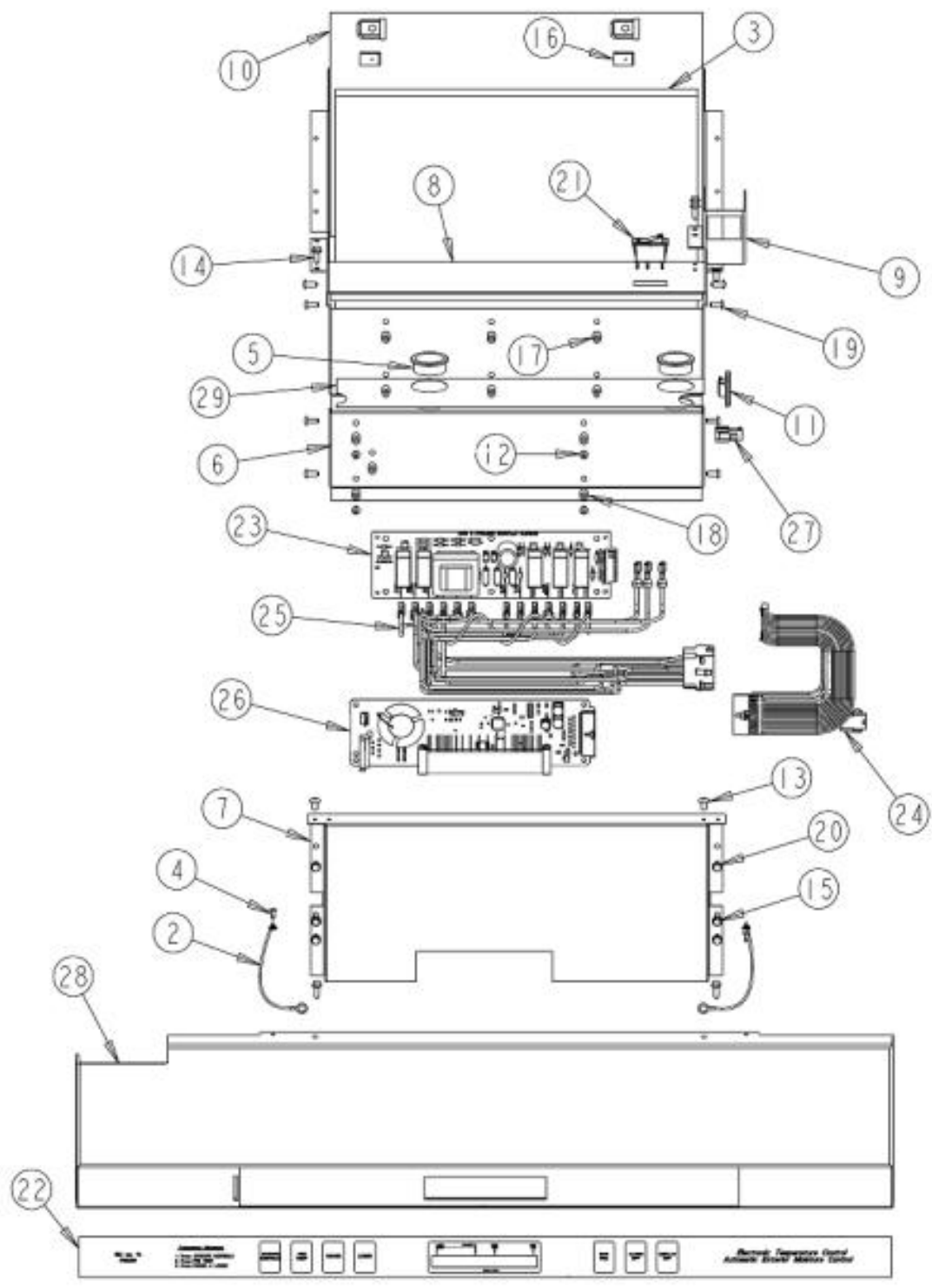
Ref #	Part Number	Qty.	Description
1	L2099492		BRACKET LIGHT SXS 48 FF
2	A3079001		LAMP - 40W
3	PE950125		LIGHT SOCKET
4	PK930268		COVER LIGHT ASM AF AR 30 SXS 48 FF
5	PM910282		LADDER SIDE
6	PM910285		LADDER CENTER
7	PM910298		SUB TO PM910405 - SHELF WIRE FZ
8	G50911931		SHELF ICE ASM UPPER AF 30
9	K20911929		BRACKET ICE SHELF R
10	K20911928		BRACKET ICE SHELF L
11	C20911142		PLATE IM MOUNT AF 30
12	G50911858		ICE MAKER ASM, SXS ND, AF
13	G50911176		BRKT SIDE GLIDE MOUNT ASM
14	PM910417		SLIDE 3 MEMBER 12 IN W/ LVR DISCONNECT
15	G50911181		TRIM ASM SIDE AF 36 30
16	G50911316		DRAWER ICE ASM AF 30
17	G50911315		DRAWER BASKET ASM AF 30



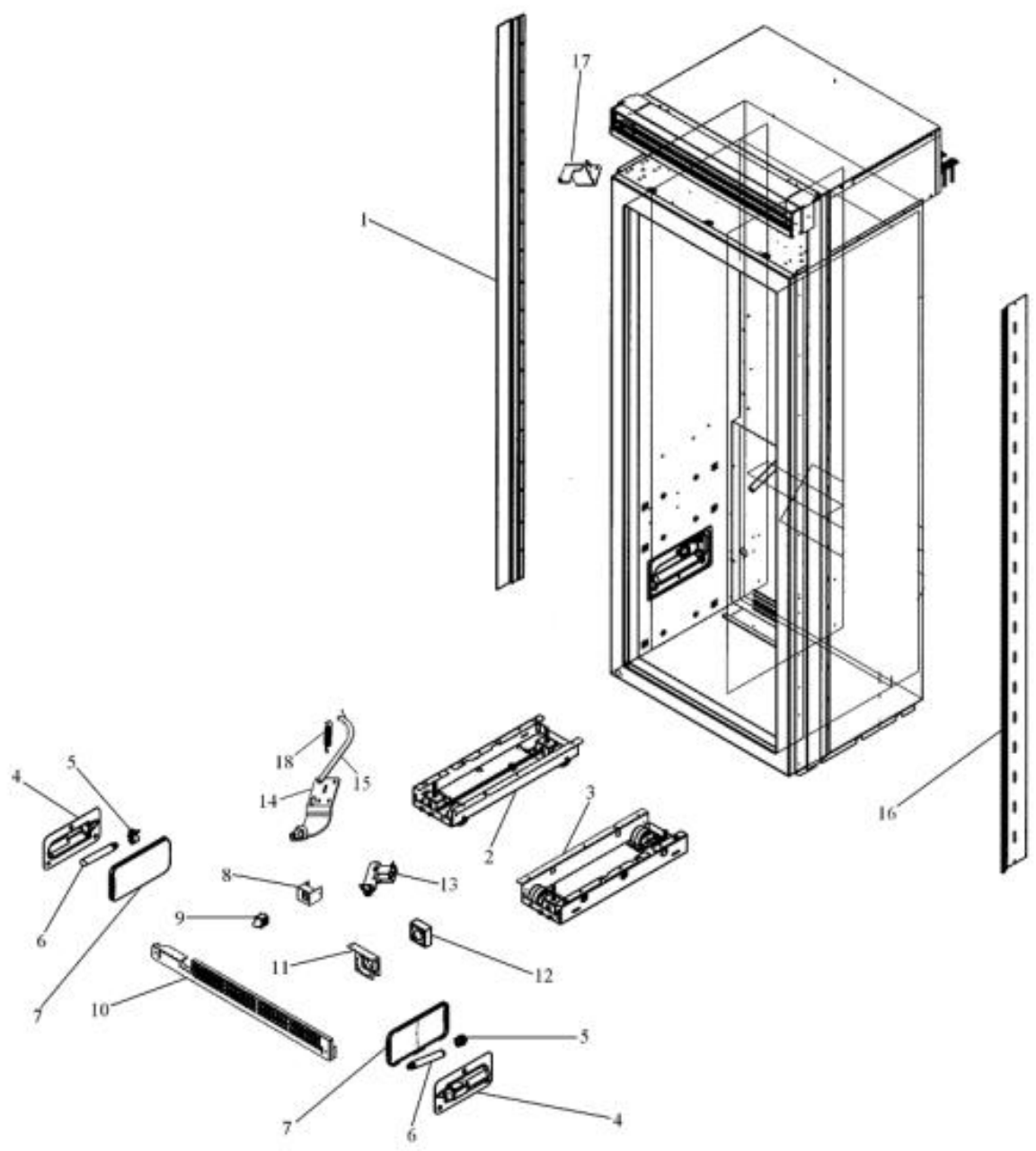
Ref #	Part Number	Qty.	Description
1	PM910349		END CAP GRILLE L
2	PM910071		COVER - END CAP 12119801
3	C9099471BK		BRACKET GRILLE SUPPORT DES L
4	C9099470BK		BRACKET GRILLE SUPPORT DES R
5	PM910072		COVER - END CAP 12119802
6	PM910348		ENP CAP GRILLE R
7	G9099202BK		AIR DUCT WELD ASM COMPLETE 30 XBKX
8	M0238616		SCREW-SM
9	G32911143		GRILLE ASM AF AR 30 DES L
	G32911151		GRILLE ASM AF AR 30 DES R
10	PM910406		GRILLE LOUVER UPPER AF AR 30 DES FOL
11	PM910407		GRILLE LOUVER MID AF AR 30 DES FOL
12	PM910408		GRILLE LOUVER LOWER AF AR 30 L DES FOL
	PM910420		GRILLE LOUVER LOWER AF AR 30 R DES FOL
NI	PM910428		GRILLE SPACER AF AR 30 FOL



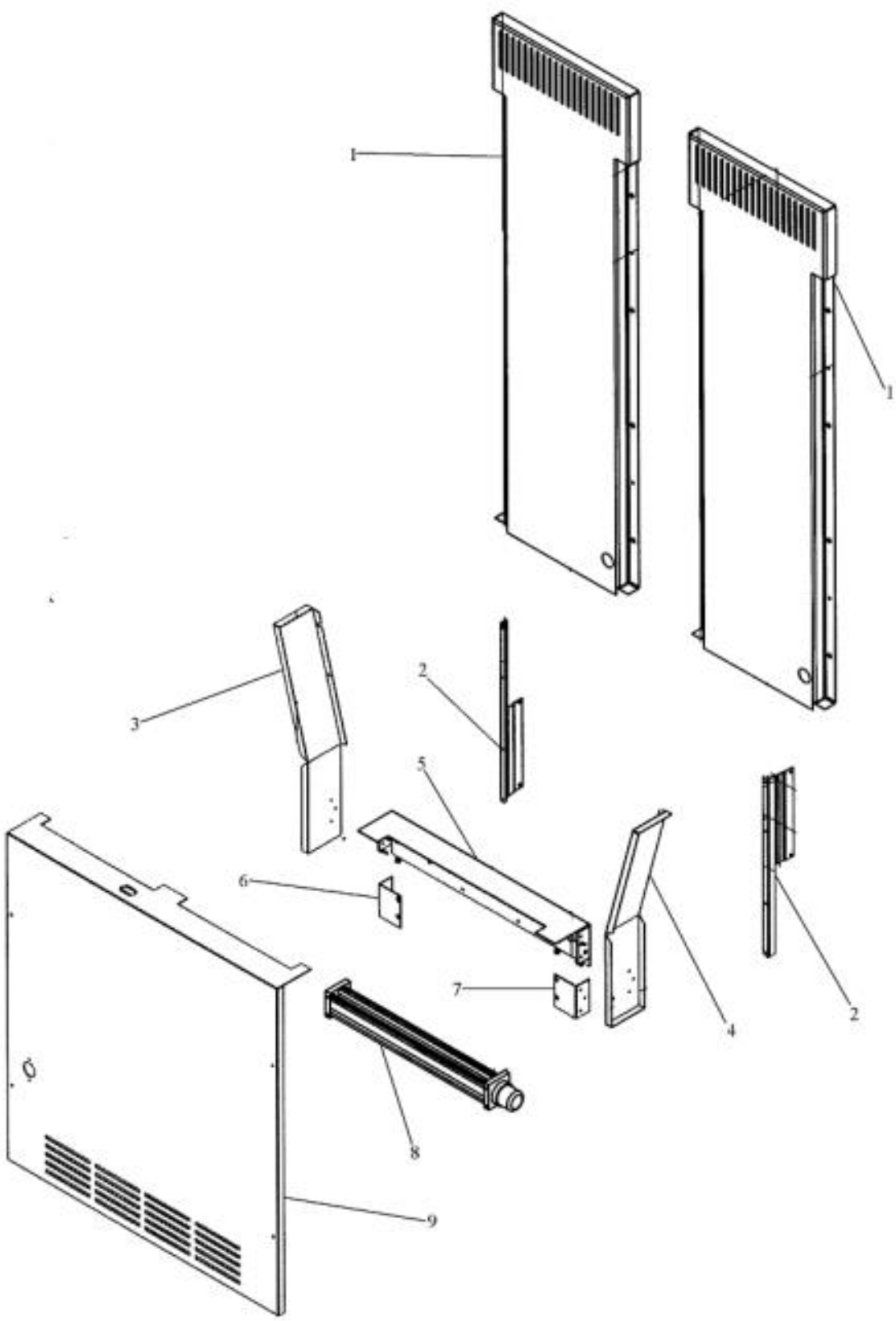
Ref #	Part Number	Qty.	Description
1	F2096507		TUBE-PROCESS GRN
2	PE970608		POWER SUPPLY 24 VDC 15 W
3	10547001		CLIP-DRIER V10547001
4	10835901		GROMMET RUBBER V10835901
5	F20910737		TUBE DISCHARGE AF AR 36
6	F2096504		TUBE-DRIER EXT
7	G5096494		COND. FAN ASSY
8	K20912569		BRACKET GRILLE SUPPORT
9	K20912570		DIVERTER AIR HI SIDE 30
10	M0103904		CLAMP-SPEED
11	M0211018		SCREW-SM
12	M0221523		SCREW - SHLDR
13	PB920171		CONDENSER ASM
14	PC920204		HINGE ASM UL
	PC920203		HINGE ASM UR
15	PD020194		SCREW-SM
16	PD940088		SCREW, 1/4 X 20 HEX WASHER SERRATED
17	PE950149		SWITCH POWER
18	PE970449		INVERTER ASSEMBLY
19	G5097976		COMPRESSOR ASSEMBLY (363 AND 483)
20	10743201		DRIER, HI SIDE



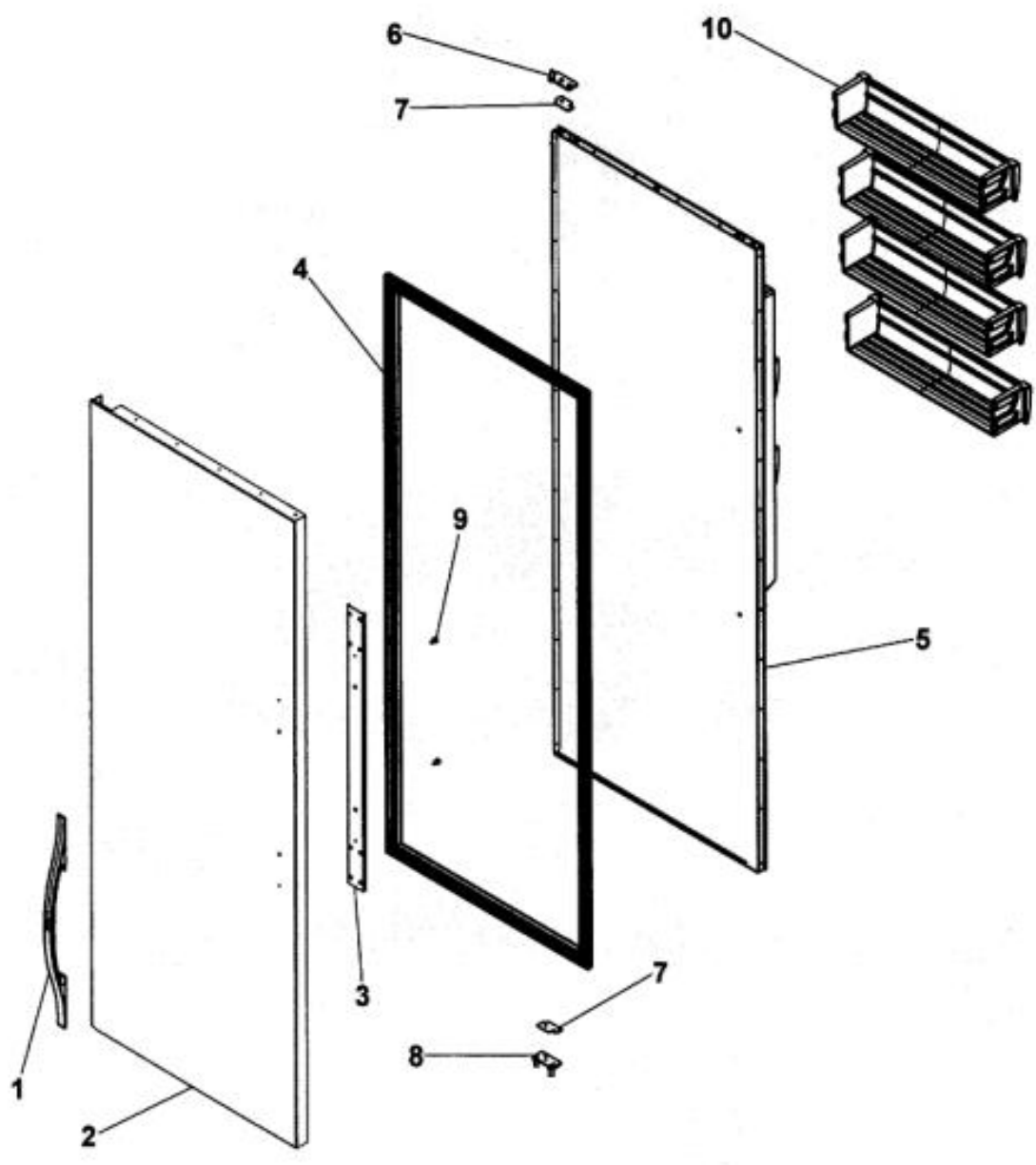
Ref #	Part Number	Qty.	Description
1	10916507		TUBE-PROCESS GRN
2	12064001		SUPP-CONT PANEL
3	12074703		INSUL-CONT BOX V12074703
4	A4539601		SUB TO PC040010 - RIVET-POP VA4539601
5	A4554817		BUSHING-SNAP VA4554817
6	K20910060		BRACKET - PC
7	K20610061		FRONT, CONTROL BOX
8	K20910062		CONTROL BOX TOP
9	K2098654		BRACKET SWITCH POWER
10	K2099402		CONTROL BOX
11	M0104106		CLIP-CORD VM0104106
12	M0217204		SCREW, SM
13	M0224128		SCREW-SM
14	M0238616		SCREW-SM
15	M0238846		SCREW-SHLDR
16	M0288120		NUT-SPEED, VM0288120
17	M0585504		SUPPORT
18	M0585506		SUPPORT
19	PC040010		POP RIVET
20	PD020194		SCREW-SM
21	PE950150		SPDT ROCKER SW. W/LEGEND
22	PE950182		OVERLAY SWITCH AF 30
23	G50911836		HIGH VOLTAGE BOARD (BEFORE 01/22/05) (BEFORE 01/22/05)
24	PE970463		POWER CONTROL BOARD (AFTER 01/22/05)
25	PE970464		HARNESS LOW VOLT
26	PE970465		HARNESS HIGH VOLT
27	PE970603		LOW VOLTAGE BOARD (BEFORE 01/22/05)
28			LOW VOLTAGE BOARD (AFTER 01/22/05)
	PE970609		HARNESS CONTROL BOARD (AFTER 01/22/05)
29	PK930220		PANEL COVER CONTROL
	PK930332		PANEL CONTROL AF 30 R
	PM910325		FILM PROTECTIVE



Ref #	Part Number	Qty.	Description
1	PK920066		SIDE TRIM
2	PM910399		LEVELER MODULE L
3	PM910398		LEVELER ASSEMBLY - R
4	10270203		HOUSING-LIGHT V10270203
5	10281601		SOCKET-SGL LIGHT
6	A3079001		LAMP - 40W
7	PK930346		COVER LIGHT
8	C20911329		SWITCH MOUNT
9	PE950146		SWITCH SPDT BLACK
10	G50911381		GRILLE TOE ASM 30 LH
	G50911380		GRILLE TOE ASM COMPLETE 30 R
11	K20911976		BRACKET EVAP FAN ICE
12	12075003		MOTOR-REF FAN
13	PA970142		WATER VALVE
14	G3298649		HINGE ASM COMPLETE LL
	G3298648		HINGE ASM COMPLETE LR
15	PC920149		BAR-WC BOT HINGE LH
	PC920166		BAR-WC BOT HINGE RH
16	PK920066		SIDE TRIM
17	PC920204		HINGE ASM UL
	PC920203		HINGE ASM UR
18	PC910015		SPRING EXTENSION



Ref #	Part Number	Qty.	Description
1	L2099055		EVAP COVER UPPER AF 30
2	K2096461		BRKT-EVAP COVER 12234801
3	L20911955		DIVERTER AIR AF 30 R
4	L20911954		DIVERTER AIR AF 30 L
5	K20911956		BRACKET FAN MOUNT AF 30
6	K20911957		BRACKET FAN MOUNT L AF 30
7	K02911958		FAN MOUNT BRACKET - R
8	PE950154		FAN EVAP HORIZ AF AR 30
9	L20911932		COVER EVAP LOWER AF 30



Ref #	Part Number	Qty.	Description
1	PE030166 PE030166PVD		DESIGNER REFRIGERATOR HANDLE DESIGNER REFRIGERATOR HANDLE PVD
2	B2099075 L2099075WH C9099075BK C9099075BT C9099075GG C9099075SG B2099073 L2099073WH C9099073BK C9099073BT C9099073GG C9099073SG		SKIN DOOR AF AR DES L SS DOOR SKIN - WH (LEFT HINGE) DOOR SKIN AF AR 30 DES L DOOR SKIN AF AR 30 DES L DOOR SKIN AF AR 30 DES L DOOR SKIN AF AR 30 DES L DOOR SKIN AF AR 30 DES R DOOR SKIN AF AR 30 DES R DOOR SKIN AF AR 30 DES R DOOR SKIN AF AR 30 DES R DOOR SKIN AF AR 30 DES R
3	K2096516		BRACE - SXS DOOR HANDLE 12447003
4	PB970163		GASKET
5	G5099058		DOOR ASM AF 30
6	PC920132 PC920133		PIVOT PLATE ASSY - LH PIVOT PLATE ASSY - RH
7	PD940092		SPACER - DOOR HINGE
8	PC920147 PC920146		PIVOT PLATE ASSY - WC LH BOT PIVOT PLATE ASSY - WC RH BOT
9	M0204303		SCREW-MACH
10	G5099904		DOORBIN ASM AF 30
NI	PE940176		TRIM - DOOR SXS PRO SIDES
NI	PK930226		TRIM DOOR BULLNOSE 30 TOP/BTM

*No Image  
Available*

Ref #	Part Number	Qty.	Description
NI	044042-000	1	ALL FREEZER FLOAT SWITCH WIRING KIT (FOR UNITS MANUFACTURED BEFORE 1/9/13)