

This Owner's Manual is provided and hosted by [Appliance Factory Parts](#).



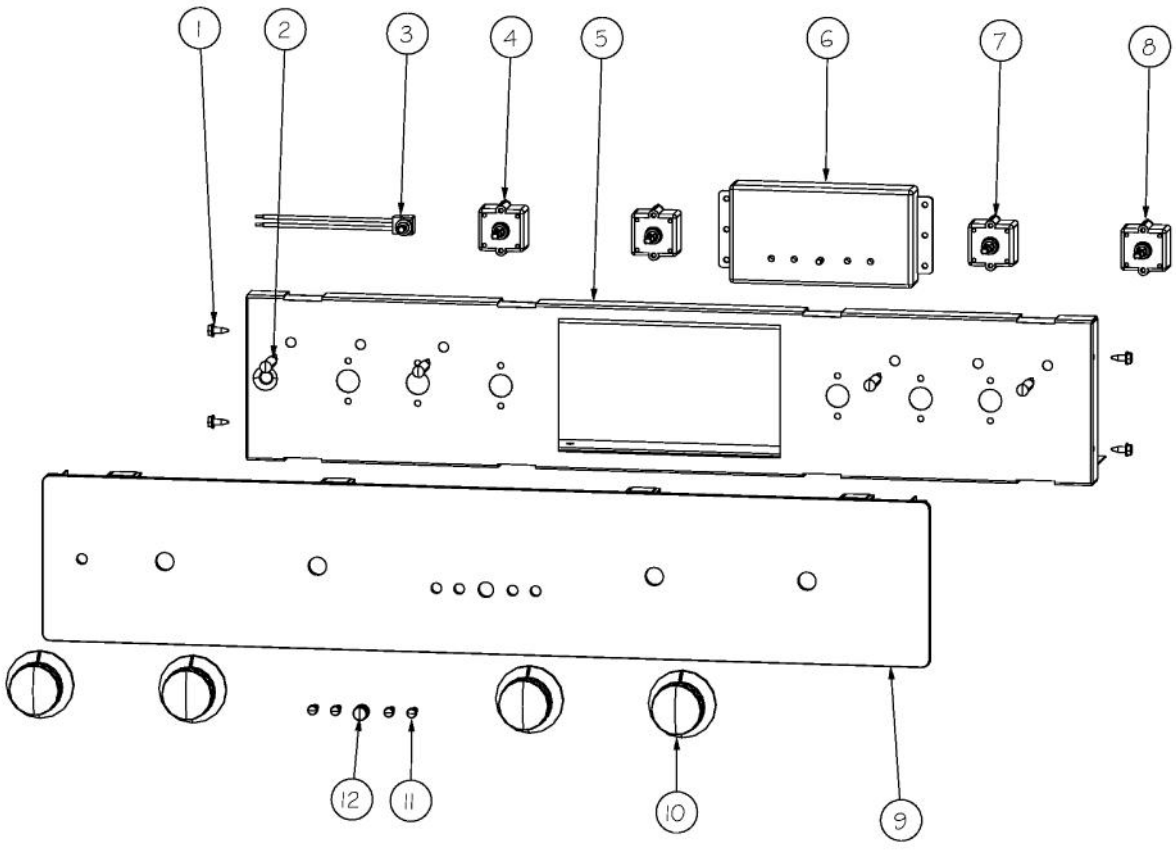
# VIKING DDOE301 Owner's Manual

[Shop genuine replacement parts for VIKING DDOE301](#)

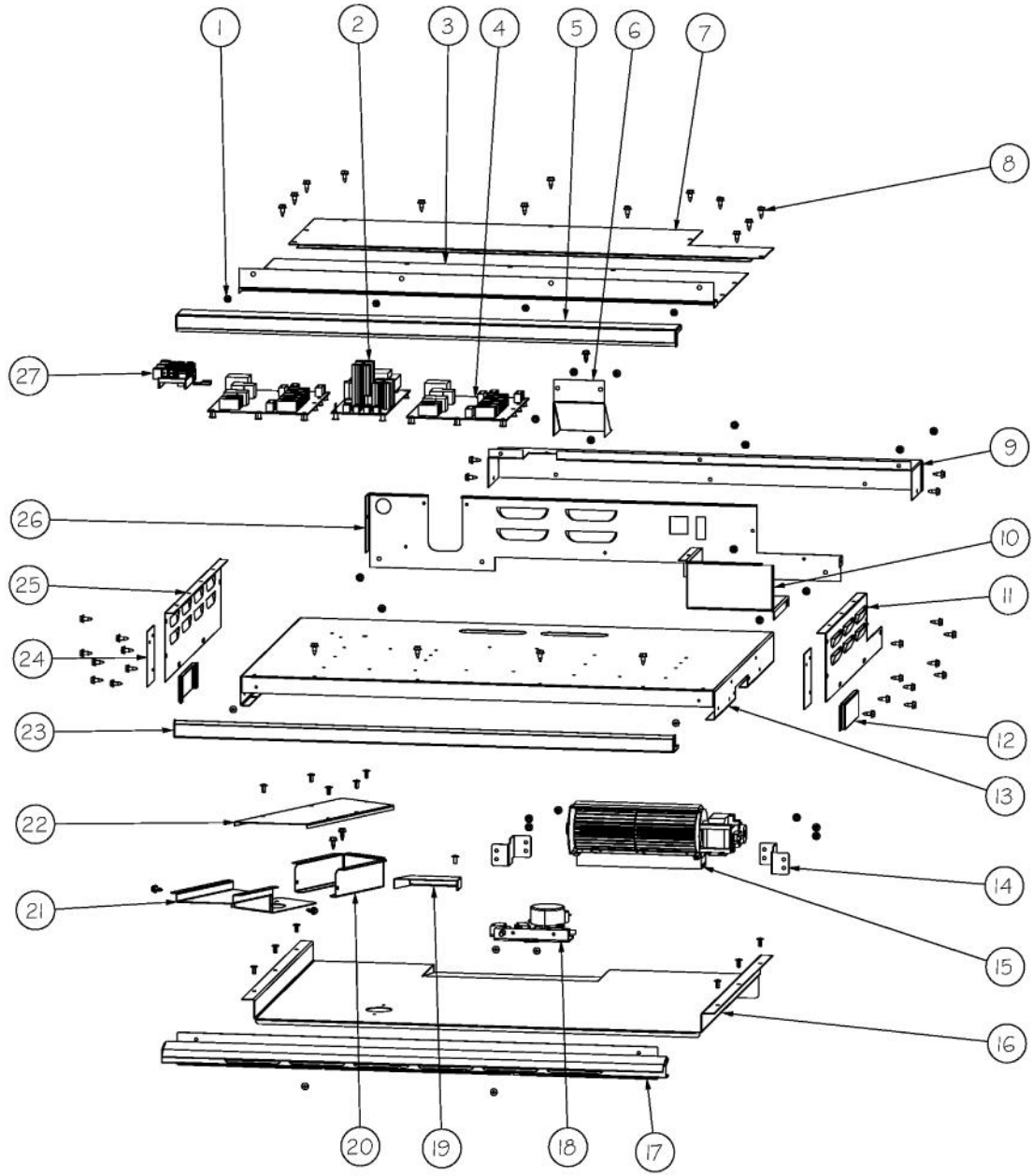


[Find Your VIKING Oven Parts - Select From 98 Models](#)

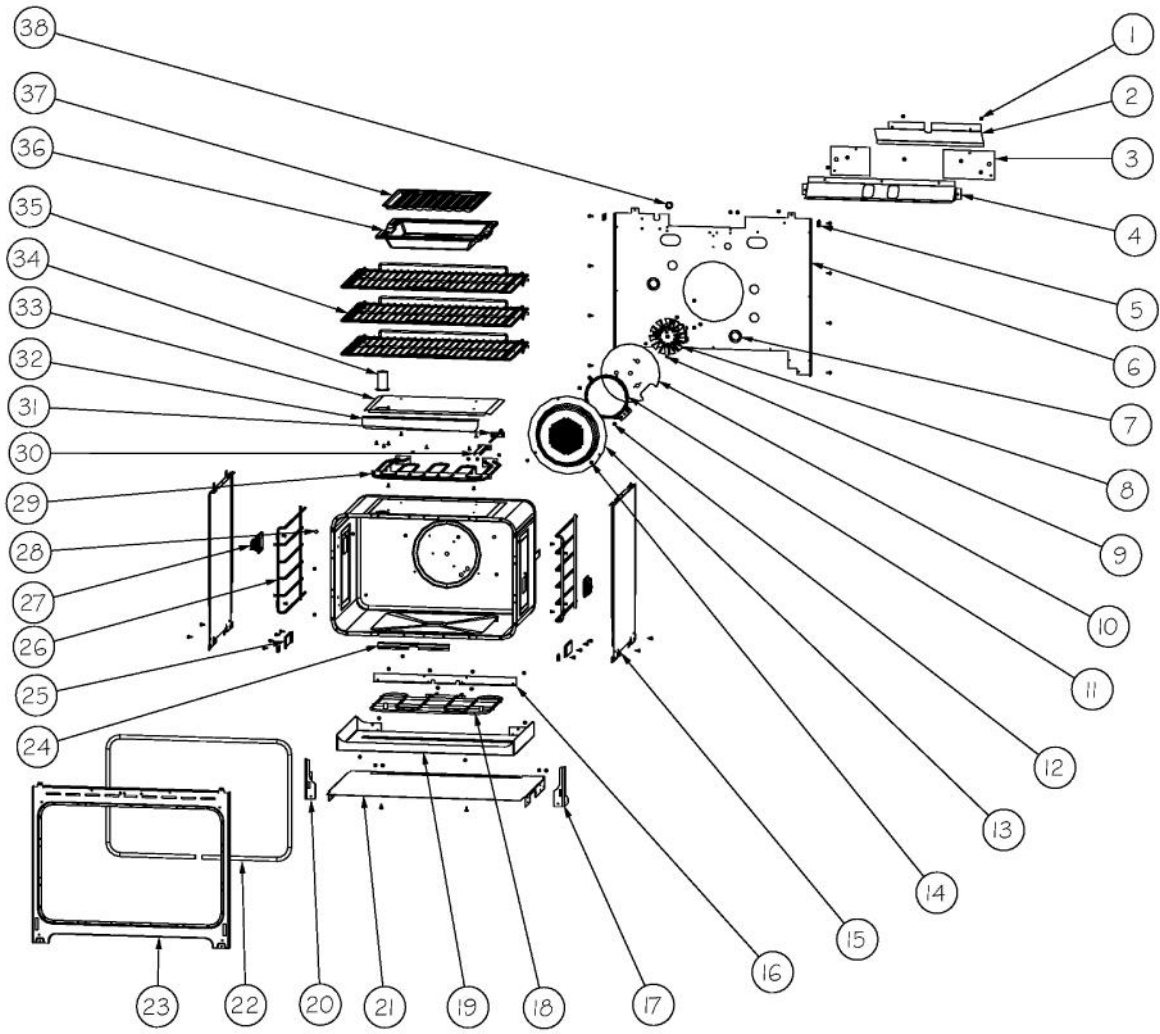
----- Manual continues below -----



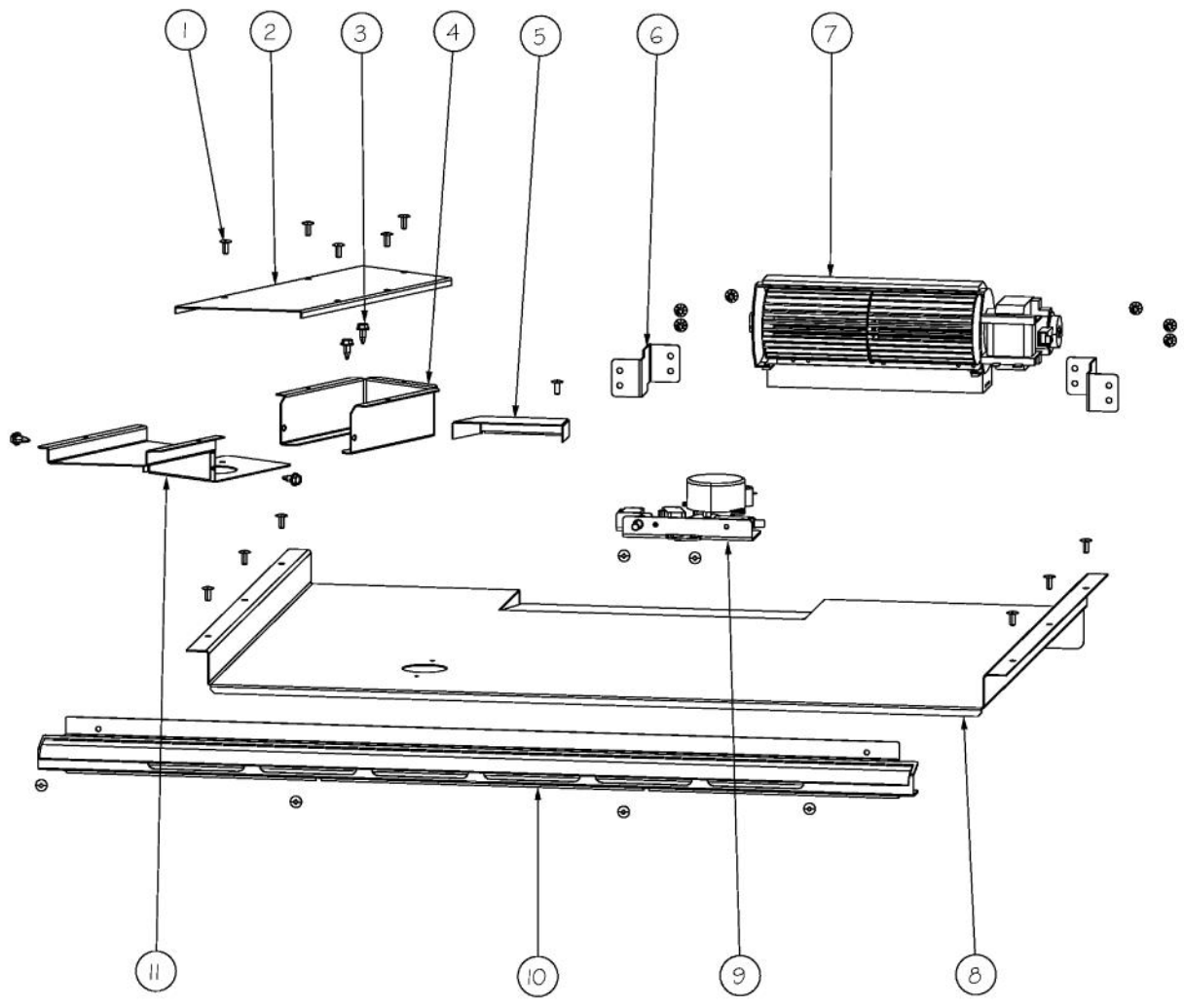
Ref #	Part Number	Qty.	Description
1	003860-000	4	NO.10-18 X .500 FASTNR,SCR,HXWH,STL,ZPLT
2	015043-000	4	INDICATOR, LIGHT, BLUE LED
3	PE050076	1	DESIGNER OVEN LIGHT SWITCH
4	PJ030033	1	SELECTOR (10 POS)
5	019340-000	1	CONTROL MOUNT
6	015195-000	1	CLOCK, TOD2, DESIGNER
7	PJ030034	1	SELECTOR (6 POS)
8	PJ030035	2	THERMOSTAT
9	014719-000	1	PANEL,CTRL, ASM, DBL, DESIGNER
10	009675-000	4	KNOB
11	PB010315	4	DES. CLOCK BUTTON
12	PB010222	1	DESIGNER BIT GENERATOR KNOB



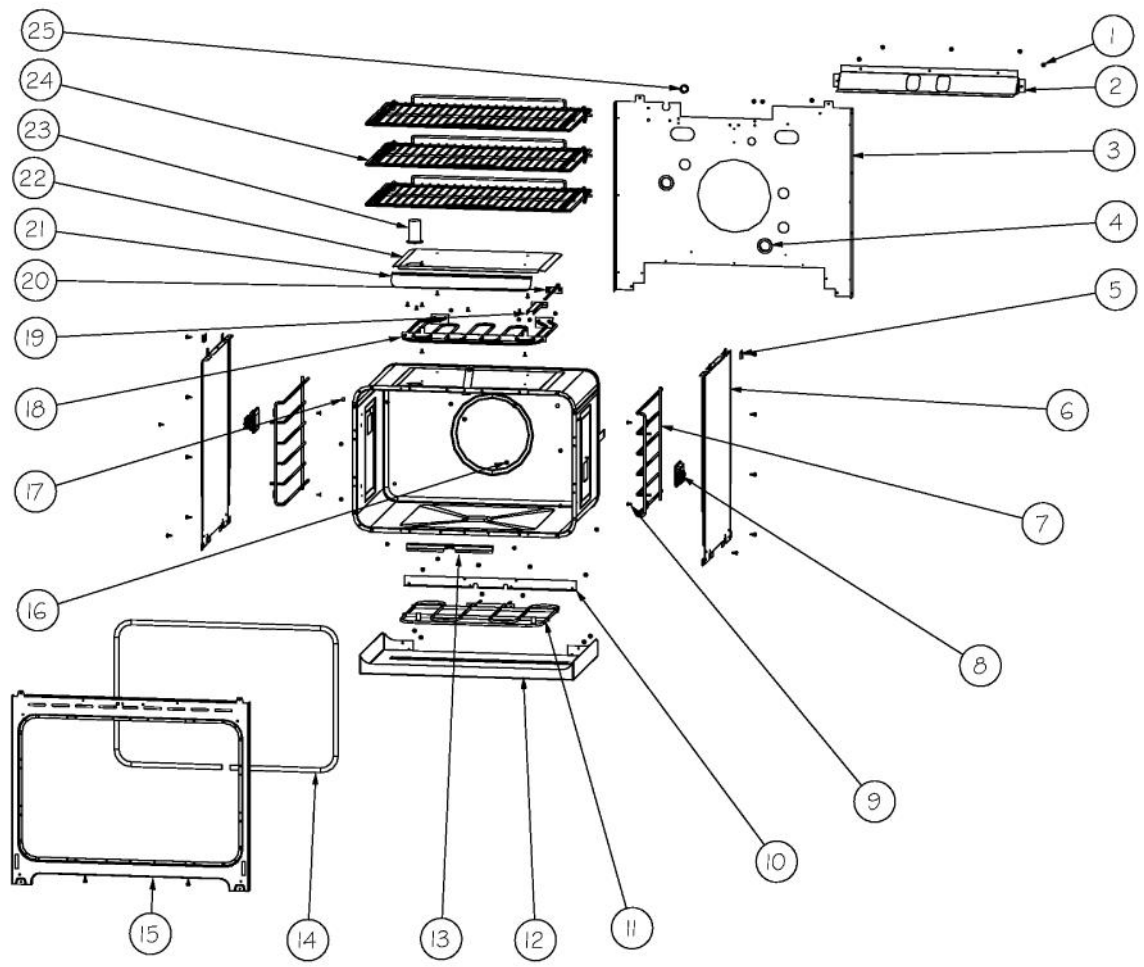
Ref #	Part Number	Qty.	Description
1	008863-000	22	SCREW NO.8 - 18 X 3/8, PHIL, LOW PROFILE TRUSS
2	015201-000	1	LINEAR POWER SUPPLY
3	012541-000	1	PANEL, ACS, FR
4	014000-000	2	EOC4-CONTROL BOARD
5	011667-000	1	TRIM, CTRL, UPPER, SS
6	009004-000	1	COVER, WIRE
7	015776-000	1	PANEL, ACS, TOP, REAR
8	003860-000	62	NO.10-18 X .500 FASTNR,SCR,HXWH,STL,ZPLT
9	009003-000	1	COVER, BACK, TOP
10	015774-000	1	COVER PLATE
11	015777-000	1	TOP SIDE, RH
12	013740-000	2	COVER, SIDE, DESIGNER
13	015797-000	1	ELECTRONICS MOUNT
14	008899-000	2	COOLING FAN BRACKET
15	PE050250	1	PREMIUM BLOWER WITH HES
16	008901-000	1	RETAINER INSL, TOP
17	009012-000	1	UPPER VENT ASM
18	008890-000	1	DOOR LATCH
19	008914-000	1	TRIM, VENT, SEAL
20	008912-000	1	SMOKE ELIMIN BACK
21	008902-000	1	SMOKE ELIM VENT BOTTOM
22	008913-000	1	SMOKE ELIM VENT, TOP
23	014542-000	1	TRIM, CTRL, LOWER, SS
24	012542-000	2	FILLER PLATE
25	012540-000	1	TOP SIDE, LH
26	015775-000	1	PANEL, ENCL, BACK, W/LOUVERS
27	PE070147	1	TERMINAL BLOCK



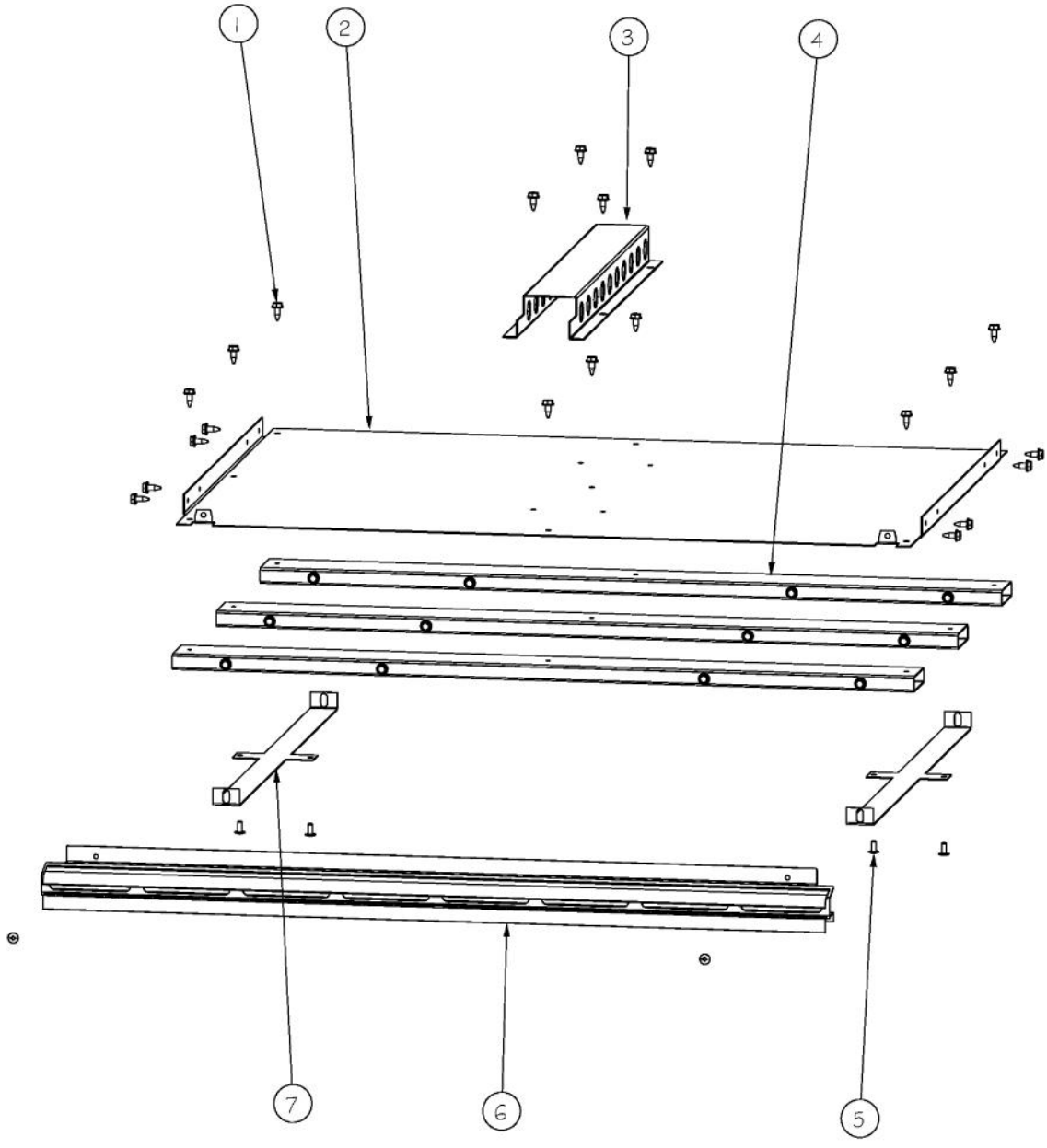
Ref #	Part Number	Qty.	Description
1	003860-000	48	NO.10-18 X .500 FASTNR,SCR,HXWH,STL,ZPLT
2	009010-000	1	AIR DEFLECTOR
3	009018-000	1	COVER, REAR
4	008898-000	1	FAN DEFLECTOR
5	013070-000	4	SIDE SPACER
6	008888-000	1	BACK INS RETAINER
7	PB070320	2	SILICONE EXTRUSION
8	019668-000	1	FAN, CONV, ASM
9	008877-000	3	CONV MOTOR MOUNT SCREW
10	008873-000	1	CONV. MOTOR COVER
11	008862-000	1	CONV ELEMENT
12	PD020063	2	SCREW-NO.8(A) X 3/8PH WFR HD/BK OXID
13	013580-000	1	CONV COVER W/PORC
14	008863-000	30	SCREW NO.8 - 18 X 3/8, PHIL, LOW PROFILE TRUSS
15	008896-000	2	COVER, INSL, SIDE
16	008855-000	1	COVER BAKE TRAY
17	008895-000	1	RECEIVER, HINGE RIGHT
18	008854-000	1	BAKE ELEMENT
19	008857-000	1	COVER BAKE ELEMENT
20	008894-000	1	RECEIVER, HINGE LEFT
21	008889-000	1	RETAINER, BOT, INSULATION
22	009007-000	1	DOOR GASKET
23	013505-000	1	FRONT FRAME W/PORC
24	013626-000	1	PAINTED GASKET CLIP
25	013740-000	2	COVER, SIDE, DESIGNER
26	008866-000	1	RACK SUPPORT W/ PORC
27	005312-000	2	BJB SLIMLINE 40 W BULB
28	008864-000	2	SILICONE BUMPER
29	008871-000	1	BROIL ELEMENT
30	008872-000	1	RTD COVER
31	008870-000	1	RTD
32	013753-000	1	DEFLECTOR, BRL, ASM, DESIGNER
33	008867-000	1	BROIL REFLECTOR
34	008868-000	1	SMOKE ELIMINATOR
35	013646-000	3	RACK, OVEN, DESIGNER, 30
36	014923-000	1	PAN, BROILER, BLUE PORCELAIN
37	014924-000	1	INSERT, BROILER PAN, BLUE PORCELAIN
38	PD040005	1	SNAP BUSHING - 7/8



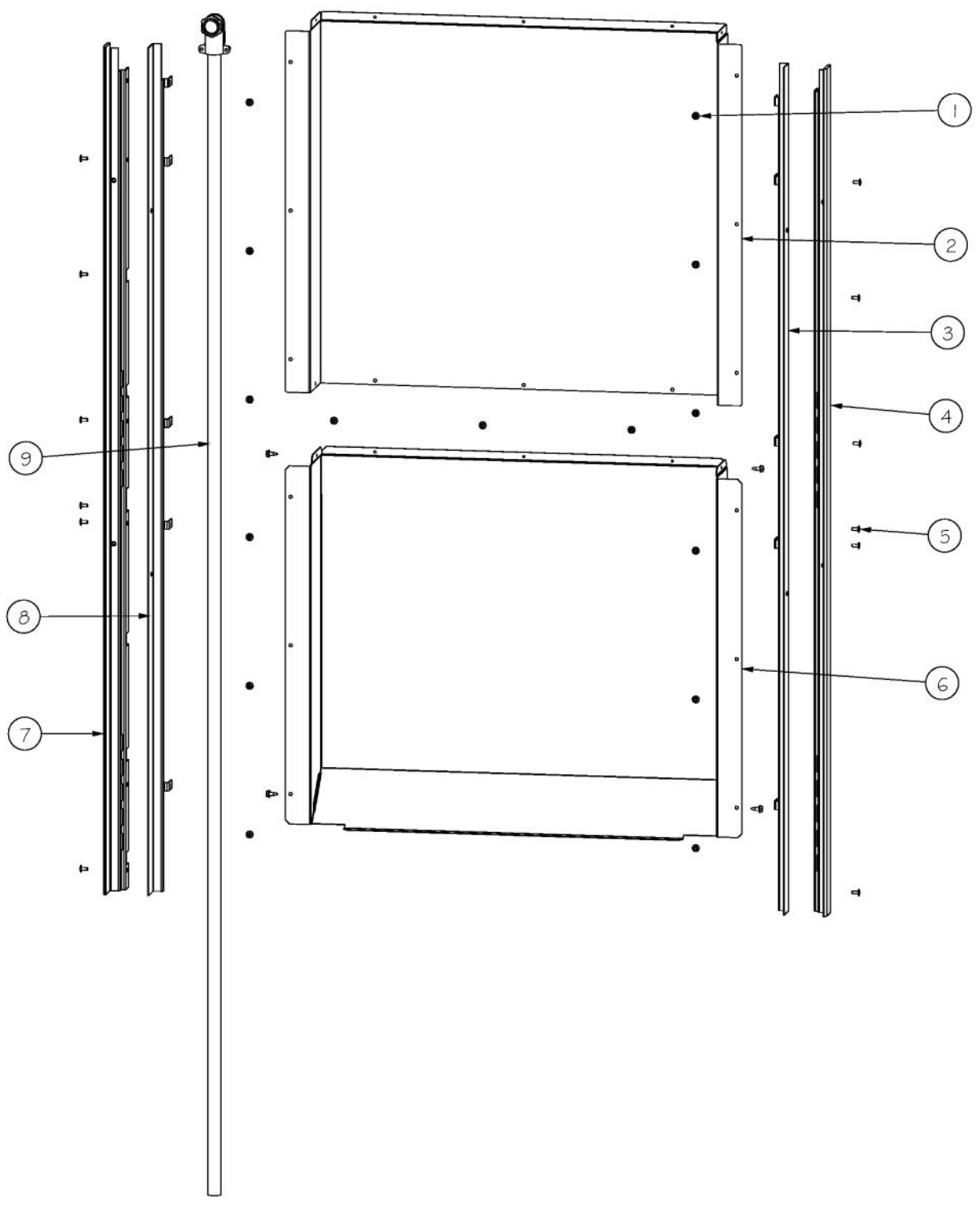
Ref #	Part Number	Qty.	Description
1	008863-000	18	SCREW NO.8 - 18 X 3/8, PHIL, LOW PROFILE TRUSS
2	008913-000	1	SMOKE ELIM VENT, TOP
3	003860-000	10	NO.10-18 X .500 FASTNR,SCR,HXWH,STL,ZPLT
4	008912-000	1	SMOKE ELIMIN BACK
5	008914-000	1	TRIM, VENT, SEAL
6	008899-000	2	COOLING FAN BRACKET
7	PE050250	1	PREMIUM BLOWER WITH HES
8	008901-000	1	RETAINER INSL, TOP
9	008890-000	1	DOOR LATCH
10	015829-000	1	MID VENT ASM
11	008902-000	1	SMOKE ELIM VENT BOTTOM



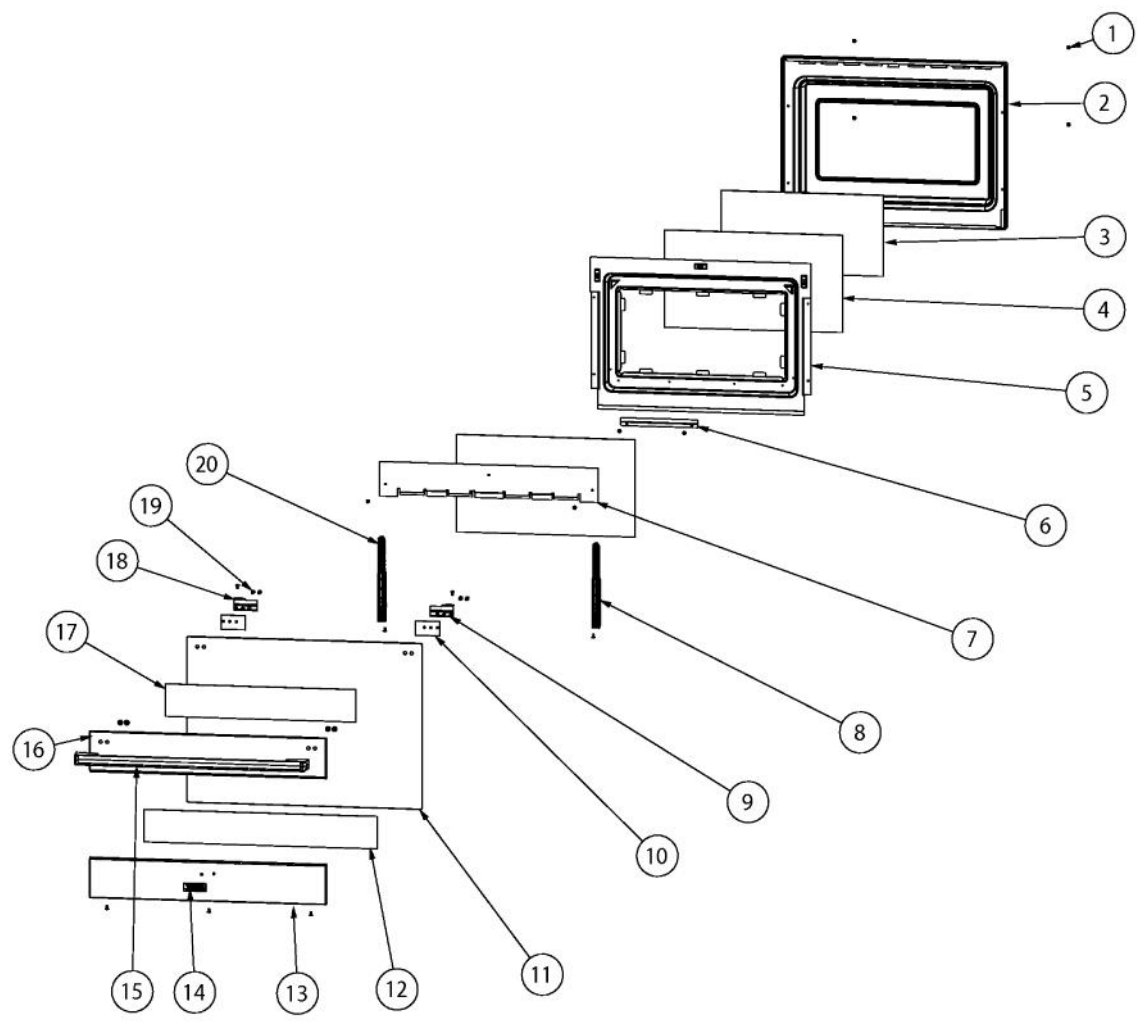
Ref #	Part Number	Qty.	Description
1	003860-000	31	NO.10-18 X .500 FASTNR,SCR,HXWH,STL,ZPLT
2	008898-000	1	FAN DEFLECTOR
3	008888-000	1	BACK INS RETAINER
4	PB070320	2	SILICONE EXTRUSION
5	013070-000	2	SIDE SPACER
6	008896-000	2	COVER, INSL, SIDE
7	008866-000	2	RACK SUPPORT W/ PORC
8	005312-000	2	BJB SLIMLINE 40 W BULB
9	008863-000	29	SCREW NO.8 - 18 X 3/8, PHIL, LOW PROFILE TRUSS
10	008855-000	1	COVER BAKE TRAY
11	008854-000	1	BAKE ELEMENT
12	008857-000	1	COVER BAKE ELEMENT
13	009005-000	1	GASKET CLIP RAW
14	009007-000	1	DOOR GASKET
15	013505-000	1	FRONT FRAME W/PORC
16	PD020063	2	SCREW-NO.8(A) X 3/8PH WFR HD/BK OXID
17	008864-000	2	SILICONE BUMPER
18	008871-000	1	BROIL ELEMENT
19	008872-000	1	RTD COVER
20	008870-000	1	RTD
21	013753-000	1	DEFLECTOR, BRL, ASM, DESIGNER
22	008867-000	1	BROIL REFLECTOR
23	008868-000	1	SMOKE ELIMINATOR
24	013646-000	3	RACK, OVEN, DESIGNER, 30
25	PD040005	1	SNAP BUSHING - 7/8



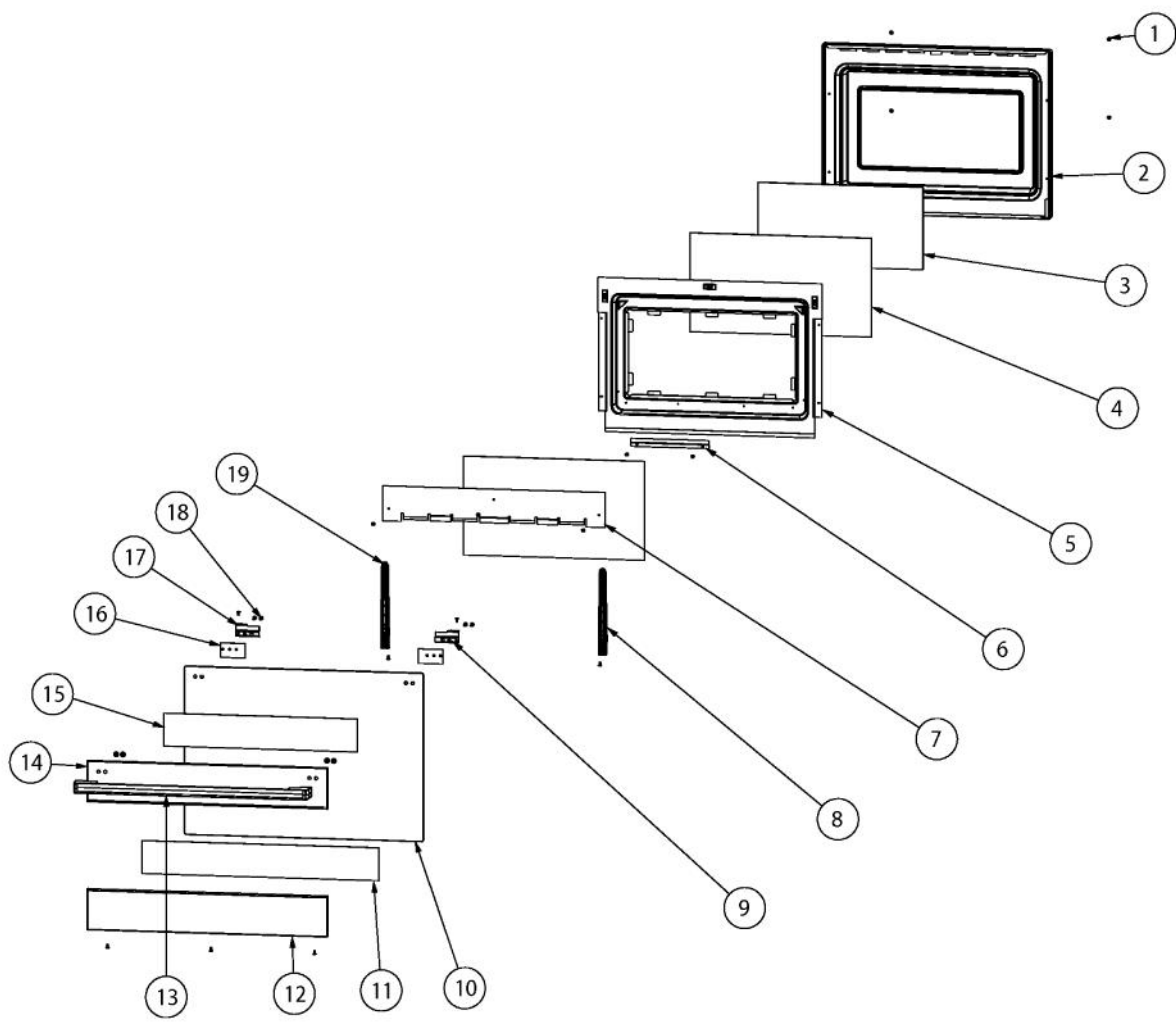
Ref #	Part Number	Qty.	Description
1	003860-000	21	NO.10-18 X .500 FASTNR,SCR,HXWH,STL,ZPLT
2	008923-000	1	BASE COVER
3	014278-000	1	BOTTOM SUPPORT
4	008927-000	3	CROSS BRACE ASM
5	008863-000	6	SCREW NO.8 - 18 X 3/8, PHIL, LOW PROFILE TRUSS
6	009015-000	1	LOWER VENT ASM
7	008928-000	2	SLIDE, BASE



Ref #	Part Number	Qty.	Description
1	003860-000	19	NO.10-18 X .500 FASTNR,SCR,HXWH,STL,ZPLT
2	009008-000	1	COVER, BACK, NON-REF
3	009608-000	1	TRIM,SIDE,RIGHT
4	011323-000	1	DOUBLE RH SIDE TRIM EXTRUSION
5	008863-000	12	SCREW NO.8 - 18 X 3/8, PHIL, LOW PROFILE TRUSS
6	009009-000	1	COVER, BACK, LWR, NON-REF
7	011324-000	1	DOUBLE LH SIDE TRIM EXTRUSION
8	009607-000	1	TRIM,SIDE,LEFT
9	001421-000	1	CONDUIT, ELECTRICAL CORD, 70``



Ref #	Part Number	Qty.	Description
1	008863-000	12	SCREW NO.8 - 18 X 3/8, PHIL, LOW PROFILE TRUSS
2	013585-000	1	DOOR PLUG W/PORC
3	008949-000	1	INNER DOOR GLASS
4	008952-000	2	INNER DOOR GLASS
5	013589-000	1	DOOR INS RET W/PORC
6	008954-000	1	RETAINER, GL, BOT
7	008959-000	1	RETAINER, GL, TOP
8	008955-000	1	HINGE RH
9	008972-000	1	CLIP, GL, DOOR, RH
10	008971-000	2	SPACER, DOOR, HANDLE
11	009078-000	1	OUTER DOOR DECORATIVE GLASS
12	014194-000	1	3M VHB TAPE, 4991
13	014188-000	1	LOWER PANEL, DOOR, SS, W/LOGO
14	013700-000	1	2.75 DESIGNER LOGO WITH PINS
15	009602-000	1	HANDLE, ASM
16	011639-000	1	UPPER DOOR PANEL, SS
17	014195-000	1	3M VHB TAPE, 4991, UPPER DOOR
18	008973-000	1	CLIP, GL, DOOR, LH
19	008974-000	4	SCREW 10 - 32 X 3/4 SLOT HEX WASHER
20	008958-000	1	HINGE LH
NI	014219-000	1	OUTER DOOR ASM, SS, W/LOGO
NI	016854-002	1	OUTER DOOR ASM, W/LOGO, BK
NI	016854-006	1	OUTER DOOR ASM, W/LOGO, WH
NI	014220-000	1	DOOR ASM (SS) W/ LOGO
NI	016853-002	1	DOOR ASM, W/LOGO, BK
NI	016853-006	1	DOOR ASM, W/LOGO, WH



Ref #	Part Number	Qty.	Description
1	008863-000	15	SCREW NO.8 - 18 X 3/8, PHIL, LOW PROFILE TRUSS
2	013585-000	1	DOOR PLUG W/PORC
3	008949-000	1	INNER DOOR GLASS
4	008952-000	2	INNER DOOR GLASS
5	013589-000	1	DOOR INS RET W/PORC
6	008954-000	1	RETAINER, GL, BOT
7	008959-000	1	RETAINER, GL, TOP
8	008955-000	1	HINGE RH
9	008972-000	1	CLIP, GL, DOOR, RH
10	009078-000	1	OUTER DOOR DECORATIVE GLASS
11	014194-000	1	3M VHB TAPE, 4991
12	011640-000	1	LOWER DOOR SKIN, SS, W/O LOGO
13	009602-000	1	HANDLE, ASM
14	011639-000	1	UPPER DOOR PANEL, SS
15	014195-000	1	3M VHB TAPE, 4991, UPPER DOOR
16	008971-000	1	SPACER, DOOR, HANDLE
17	008973-000	1	CLIP, GL, DOOR, LH
18	008974-000	4	SCREW 10 - 32 X 3/4 SLOT HEX WASHER
19	008958-000	1	HINGE LH
NI	009092-000	1	OUTER DOOR ASM, SS, W/O LOGO
NI	016855-002	1	OUTER DOOR ASM, W/O LOGO, BK
NI	016855-006	1	OUTER DOOR ASM, W/O LOGO, WH
NI	009093-000	1	DOOR ASM (SS) W/O LOGO
NI	016856-002	1	DOOR ASM, W/O LOGO, BK
NI	016856-006	1	DOOR ASM, W/O LOGO, WH

*No Image  
Available*

Ref #	Part Number	Qty.	Description
NI	023051-000	1	JUMPER WIRE