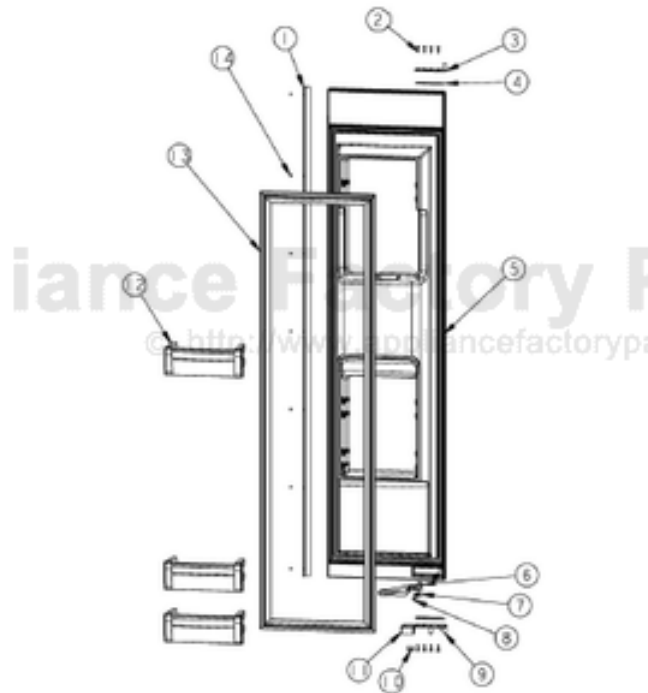


This Owner's Manual is provided and hosted by [Appliance Factory Parts](#).



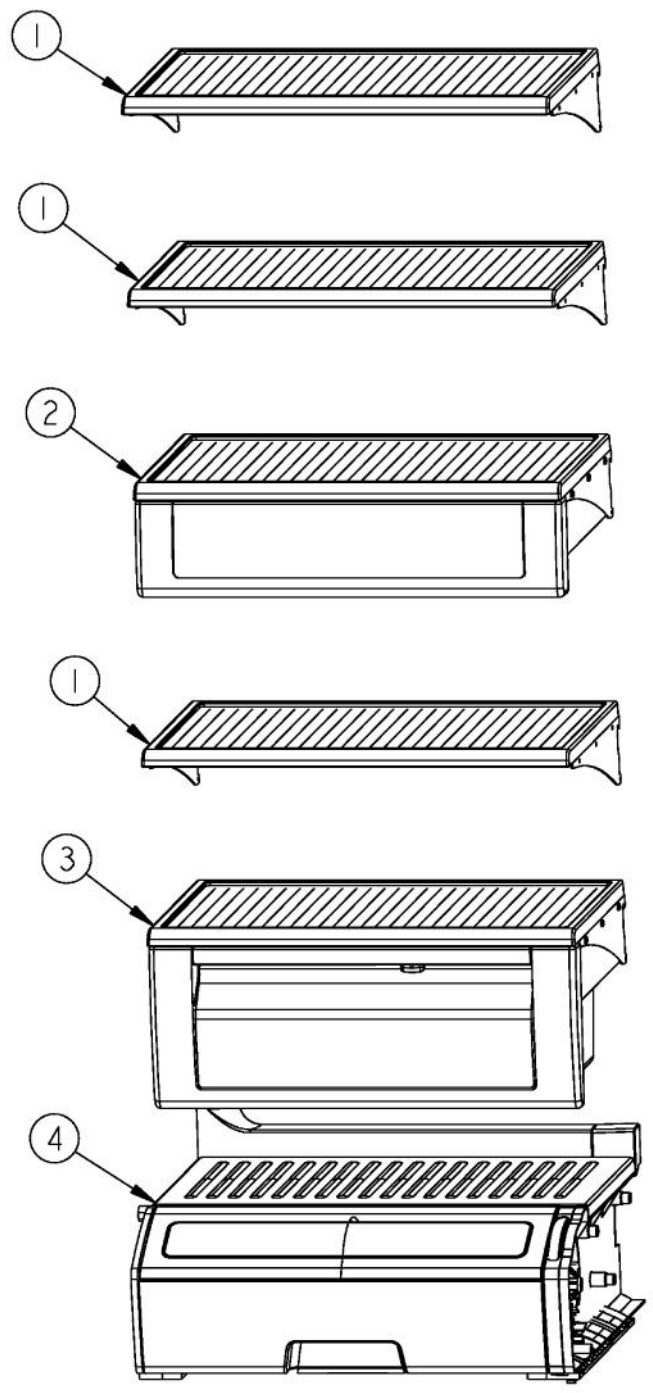
VIKING DDSB423D_JMAG-R_ Owner's Manual

[Shop genuine replacement parts for VIKING
DDSB423D_JMAG-R](#)

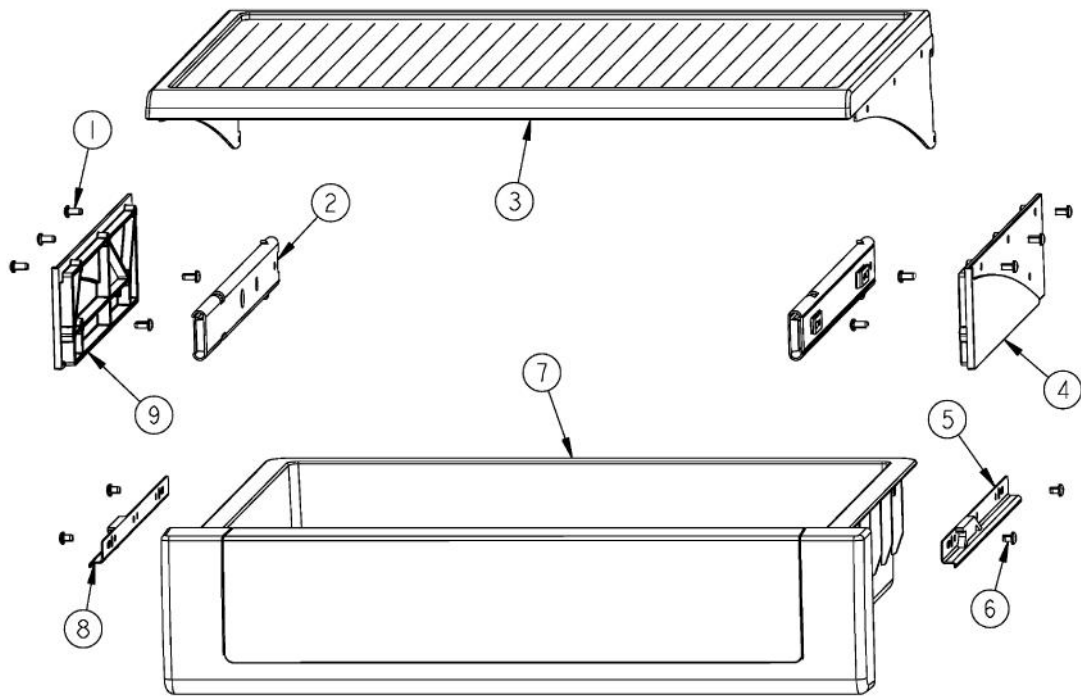


[Find Your VIKING Refrigerator Parts - Select From 341 Models](#)

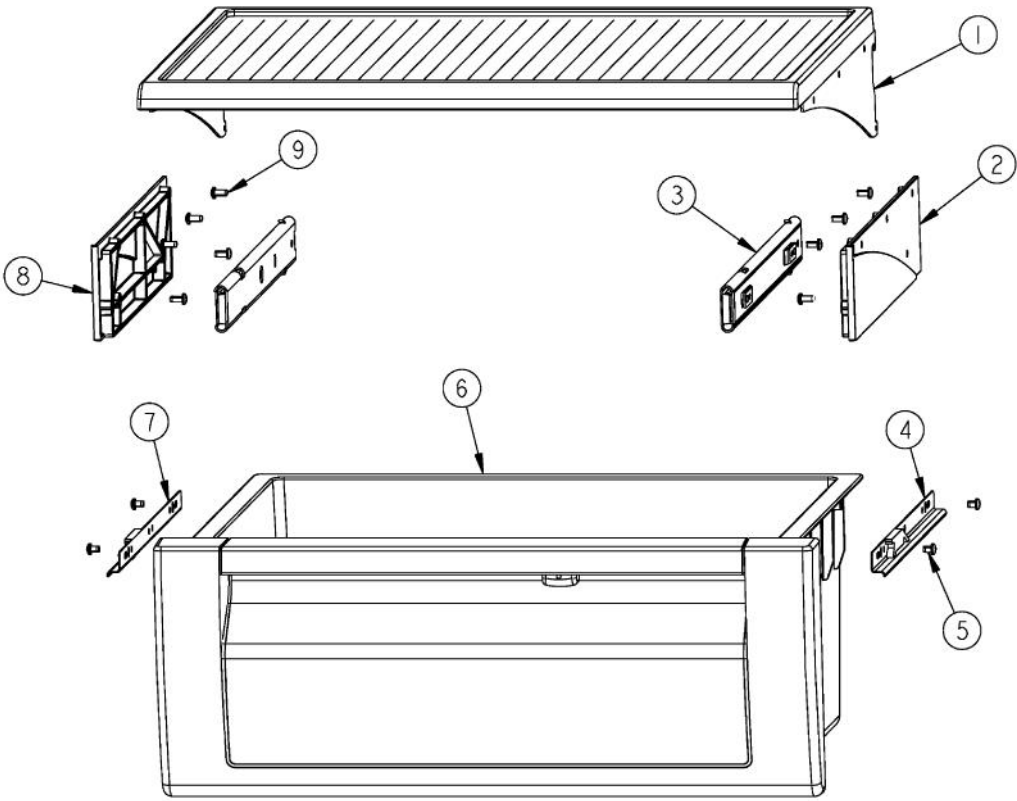
----- Manual continues below -----



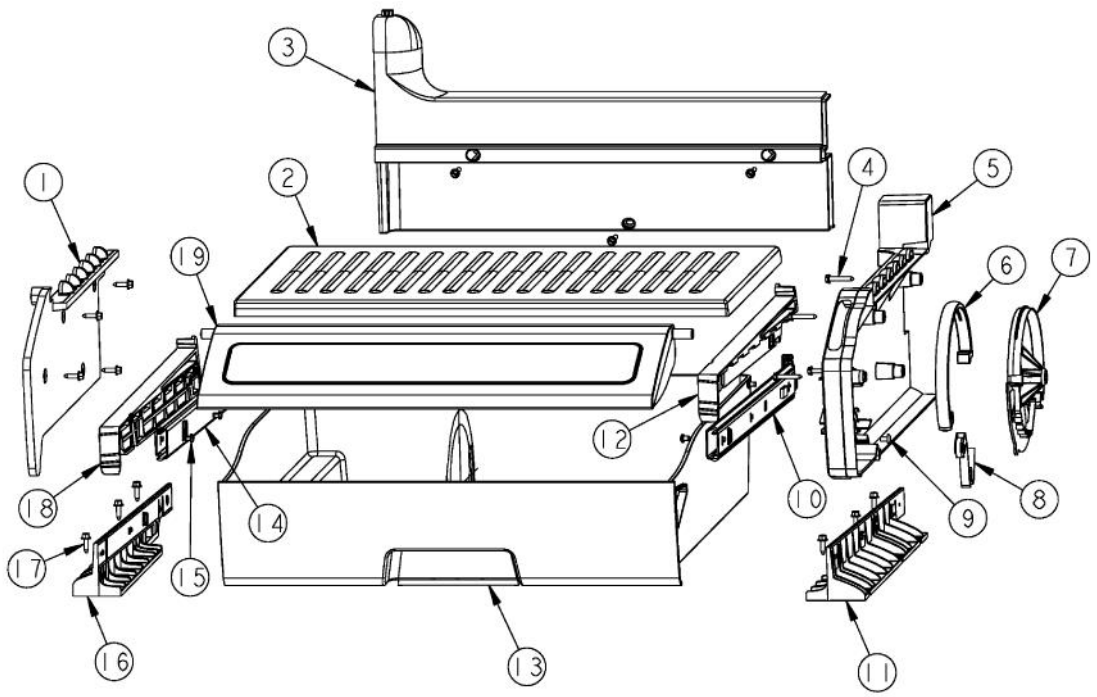
Ref #	Part Number	Qty.	Description
1	PM910350		SHELF ASM GLASS SXS 42 FF
2	DELI DRAWER		SEE PAGE 002 FOR BREAKDOWN
3	PRODUCE DRAWER		FOR BREAKDOWN SEE PAGE 002
4	Conv.MeatSaverDra.		SEE PAGE 004 FOR BREAKDOWN



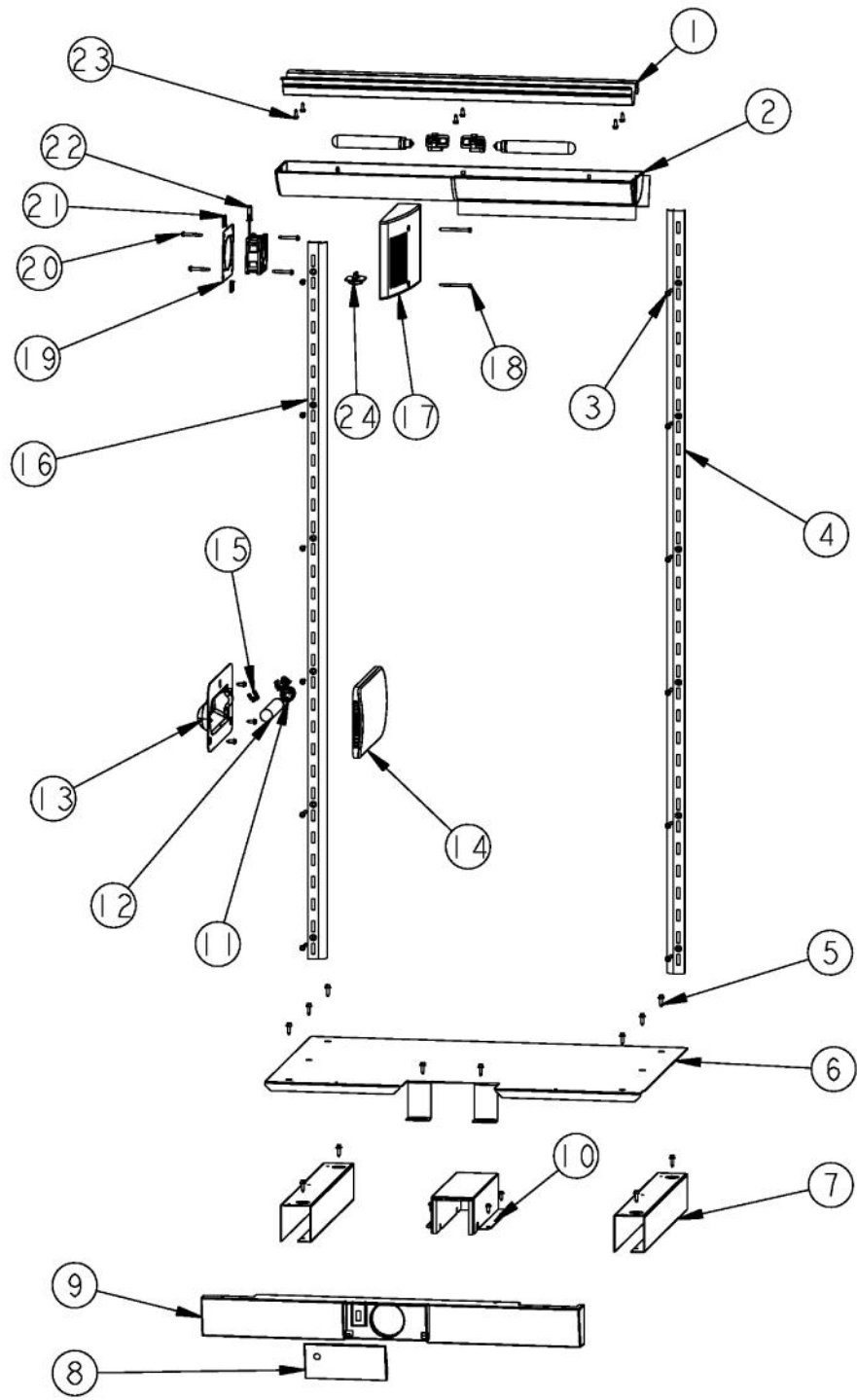
Ref #	Part Number	Qty.	Description
1	PD920161		SCR 8-16 PLASTITE PNP 3/8 S
2	PM910388		SLIDE DRAWER (R & L)
3	PM910350		SHELF ASM GLASS SXS 42 FF
4	PK930290		SUPPORT SLIDE R
5	PM910343		RAIL DRAWER R
6	PD920162		SCR 8-16 PLASTITE PNP 1/4 S
7	PK930121		DRAWER DELI ASM SXS 42
8	PM910342		RAIL DRAWER L
9	PK930291		SUPPORT SLIDE L



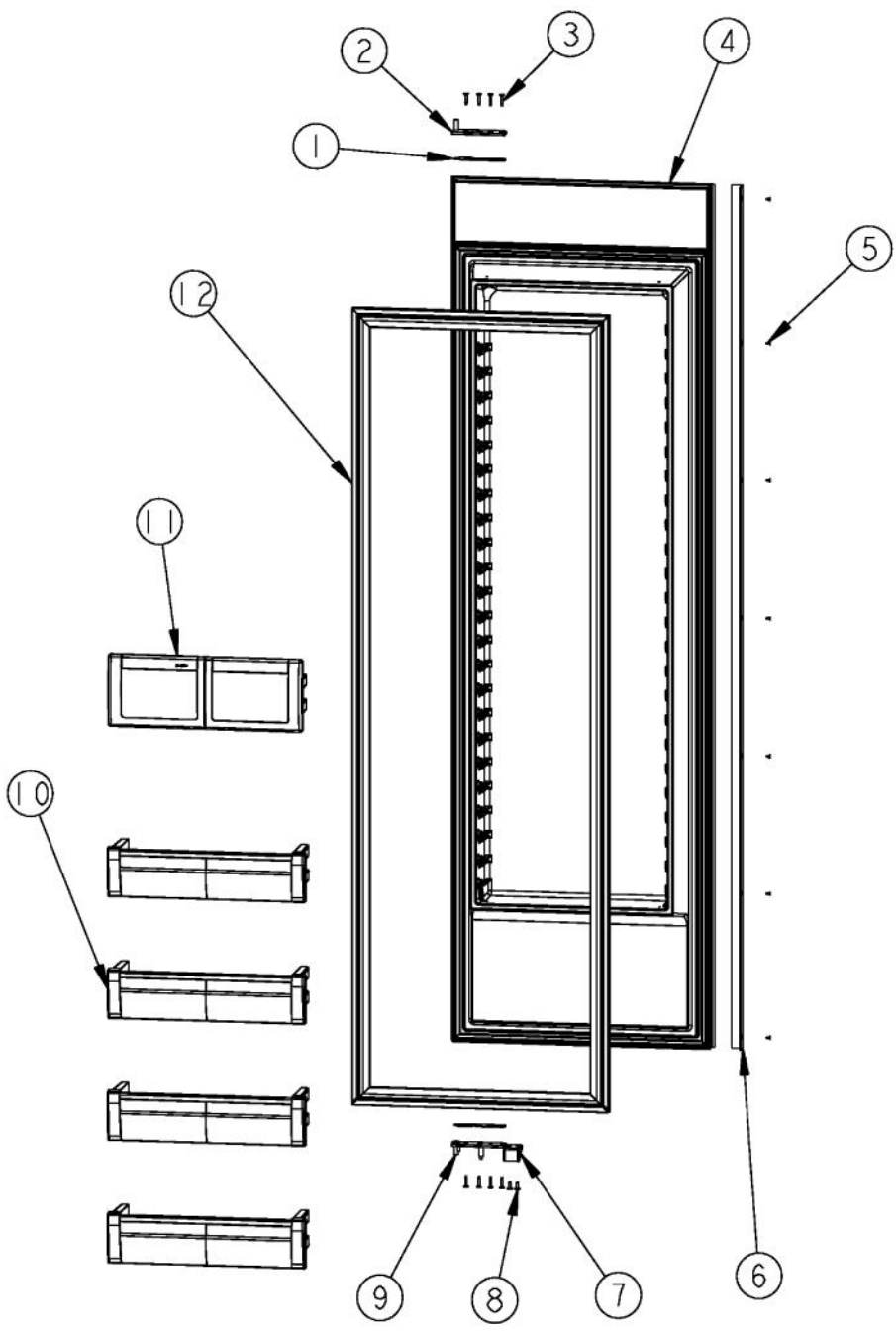
Ref #	Part Number	Qty.	Description
1	PM910350		SHELF ASM GLASS SXS 42 FF
2	PK930290		SUPPORT SLIDE R
3	PM910388		SLIDE DRAWER (R & L)
4	PM910343		RAIL DRAWER R
5	PD920162		SCR 8-16 PLASTITE PNP 1/4 S
6	PK930122		DRAWER PRODUCE ASM SXS 42
7	PM910342		RAIL DRAWER L
8	PK930291		SUPPORT SLIDE L
9	PD920161		SCR 8-16 PLASTITE PNP 3/8 S



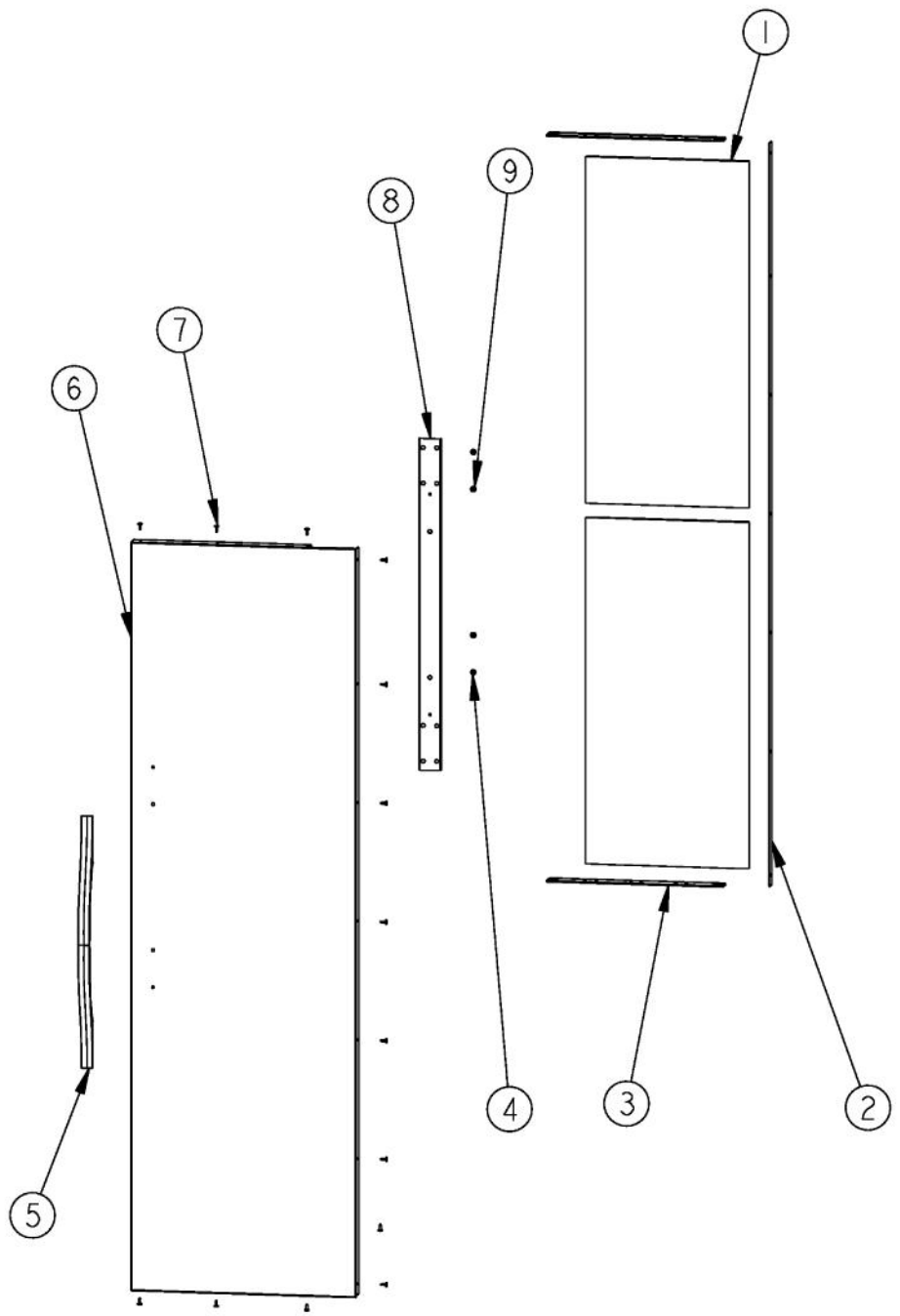
Ref #	Part Number	Qty.	Description
1	PK930170		DUCT MEAT SAVER SXS 42 L
2	PK930120		SHELF MEAT SAVER SXS 42
3	PK930171		DUCT MEAT SAVER SXS 42 REAR
4	M0211021		SCREW-SM
5	PK930169		DUCT MEAT SAVER SXS 42/48 R
6	PK930172		COVER CONTROL MEAT SAVER
7	PK930168		DIAL CONTROL MEAT SAVER
8	PM910334		ROLLER TENSION
9	M0224128		SCREW-SM
10	PM910287		SLIDE MEAT SAVER R
11	PK930173		SUPPORT SLIDE MEAT SAVER SXS 42/48 R
12	PK930175		SUPPORT DRAWER MEAT SAVER SXS 42/48 R
13	PK930114		DRAWER MEAT SAVER SXS 42
14	PM910288		SLIDE MEAT SAVER L
15	PD920162		SCR 8-16 PLASTITE PNP 1/4 S
16	PK930174		SUPPORT SLIDE MEAT SAVER SXS 42/48 L
17	PD020195		SCR 8-18 X 5/8
18	PK930176		SUPPORT DRAWER MEAT SAVER 42/48 L
19	PK930119		DELI LID



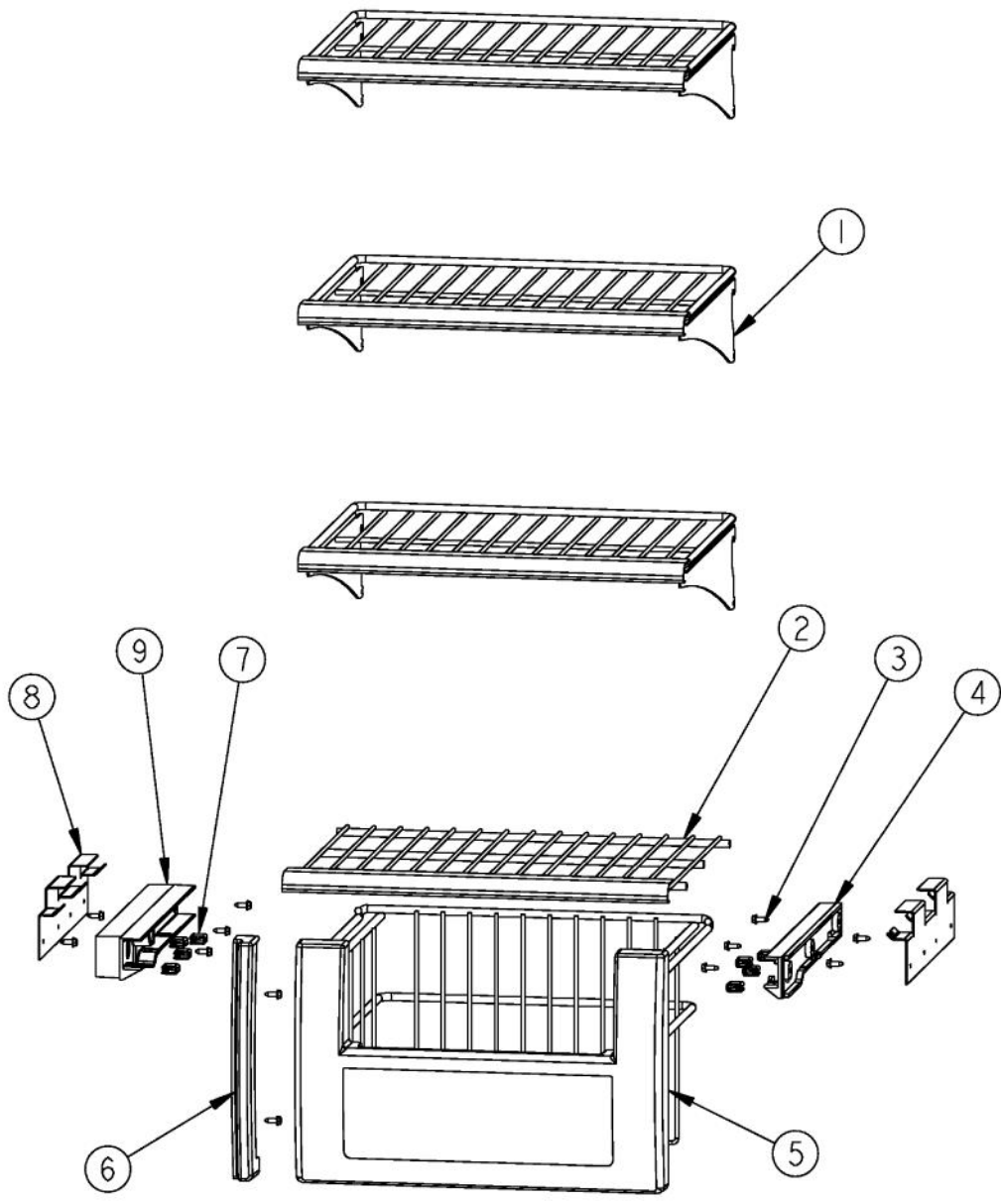
Ref #	Part Number	Qty.	Description
1	L2099474		BRACKET LIGHT SXS 42 FF
2	PK930115		COVER LIGHT ASM SXS 42 FF
3	M0238535		SCREW-SM
4	PM910227		LADDER RS REF
5	PD020195		SCR 8-18 X 5/8
6	L2099251		FLOOR FALSE 42 SXS DISP
7	K20913096		BRACKET FALSE FLOOR
8	PK930313		COVER WATER FILTER SXS DISP
9	PK930237		COVER FALSE FRONT 42 SXS DISP
10	G50913708		ASM COVER WATER FILTER
11	PE950125		LIGHT SOCKET
12	A3079001		LAMP - 40W
13	10270203		HOUSING-LIGHT V10270203
14	PK930346		COVER LIGHT
15	B5733302		CLIP-GROUND
16	PK020079		LADDER FF L SXS 42D/48D
17	PK930085		COVER FAN SXS 48 FF
18	M0221913		SCREW-SM
19	K2096475		PLATE-FAN MNT 12404701
20	PD020188		SCR 8-18 BT HXWS 1 1/2
21	M0288120		NUT-SPEED, VM0288120
22	000732-000		FRESH FOOD FAN - 1.2 W
23	PD020194		SCREW-SM
24	C8983701		THERMISTOR
NI	PM910332		ACCESORY ASSY



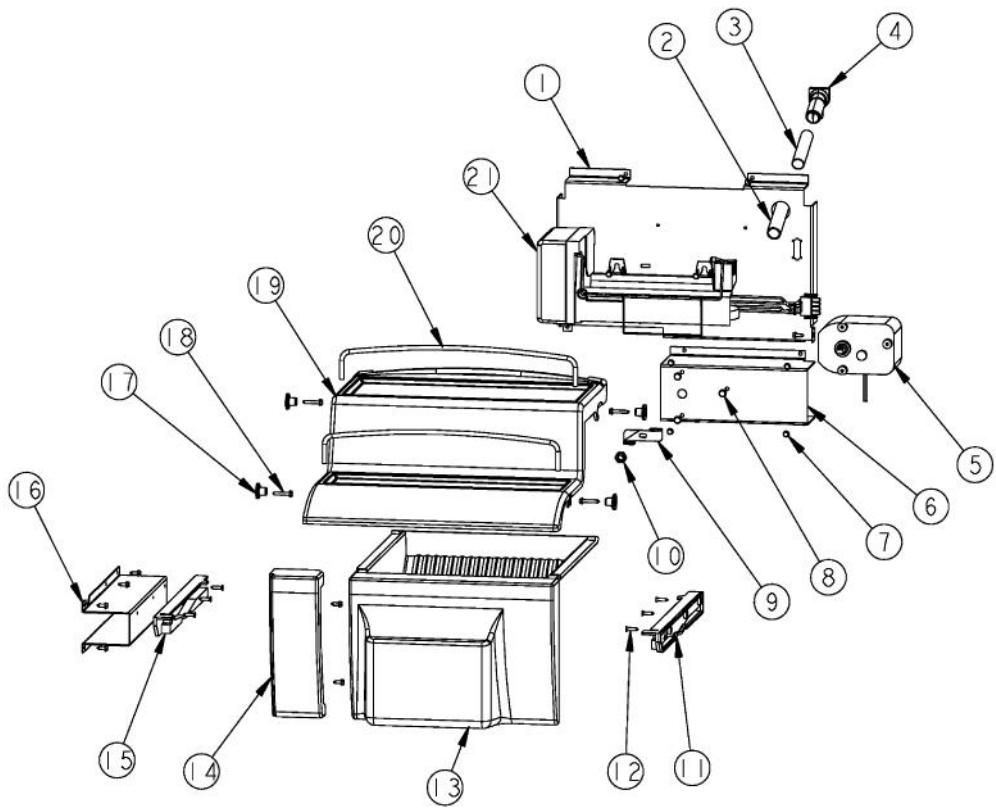
Ref #	Part Number	Qty.	Description
1	PD040162		SPACER-DOOR HINGE
2	PC020278		PIVOT PL ASM RH UP PRO/DES
3	PD920174		10-32 TORX HEAD SCREW
4	G32915037		DOOR ASM 42/42D FF (INCLUDES GASKET)
5	M0215704		SCREW-SM
6	PK930006		SPACER - SS DES
7	PD050019		STRIKER DOOR SWITCH
8	M0210458		SCREW-SM
9	PC020276		PIVOT PL ASM RH LW PRO/DES
10	G5098675		DOORBIN ASM SXS 42 FF
11	PK930123		DAIRY MODULE ASM SXS 42
12	PB070329		DOOR GASKET (BEFORE 06-10-08)
12	005451-000		GASKET,ASM,42,SXS,FF VIDNO. 602711807-17 (ON OR AFTER 06-10-08)



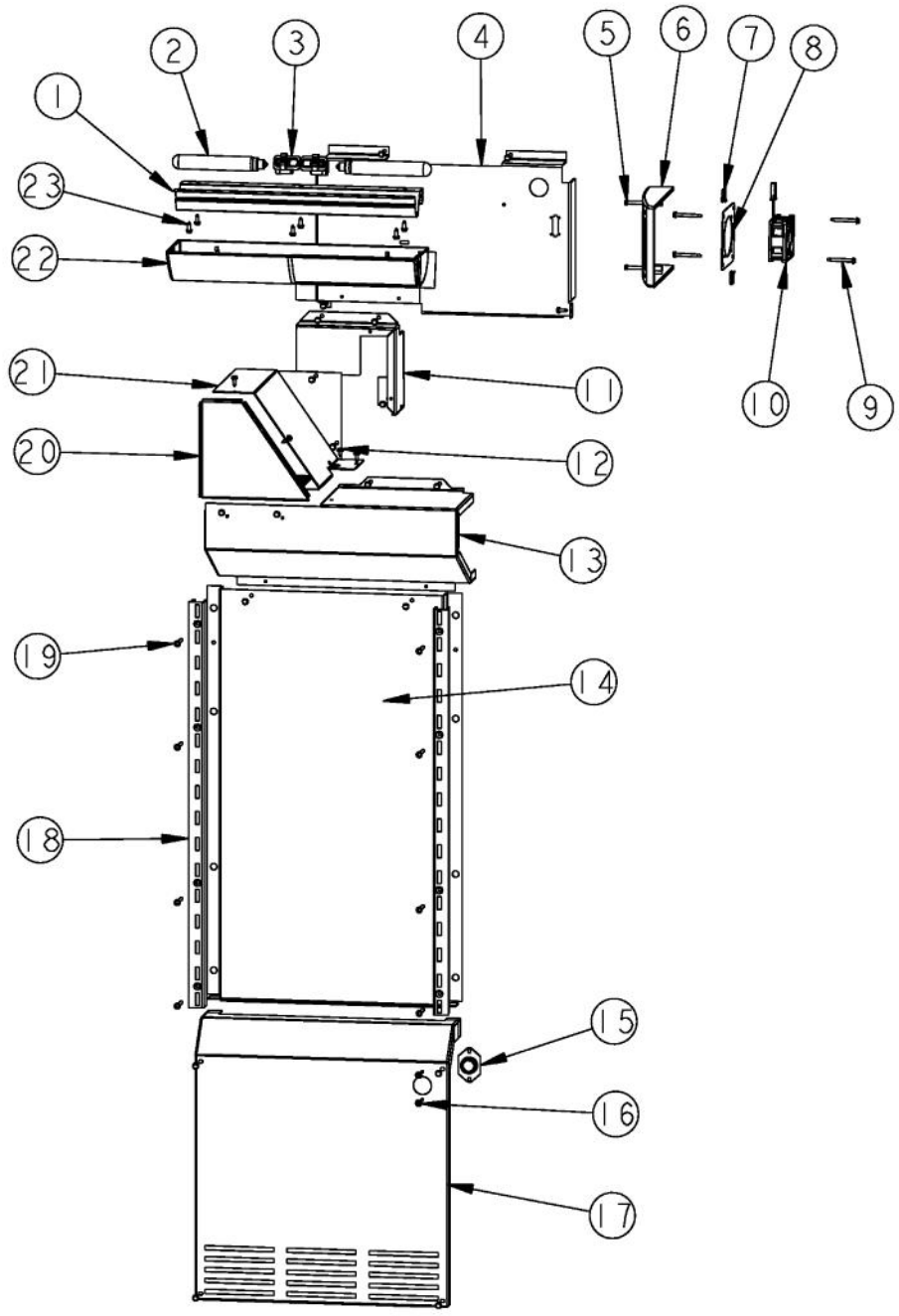
Ref #	Part Number	Qty.	Description
1	000650-000		BLOCK, EPS REF DOOR 42 SXS FF DES
2	PD940087		SPACER DOOR SKIN-HINGE SIDE (75.1)
3	PK030557		TRIM DOOR BULLNOSE 42 FF TOP/BOT
4	PD030152		CAPPED WASHER PAL NUT
5	PE030166		DESIGNER REFRIGERATOR HANDLE
	PE030092PVD		FF/FZ DR. HANDLE - DESIGNER - BRASS
6	B20915916		DOOR SKIN 42 DES FF
	C90915916AL		DOOR SKIN - AL
	C90915916BK		DOOR SKIN 42 DES FF
	C90915916BT		DOOR SKIN 42 DES FF
	C90915916BU		DOOR SKIN 42 DES FF
	C90915916CB		DOOR SKIN 42 DES FF
	C90915916EP		DOOR SKIN - EP
	C90915916FG		DOOR SKIN - FG
	C90915916GG		DOOR SKIN 42 DES FF
	C90915916LE		DOOR SKIN 42 DES FF
	C90915916MJ		DOOR SKIN 42 DES FF
	C90915916SG		DOOR SKIN 42 DES FF
	C90915916VB		DOOR SKIN 42 DES FF
	C90915916WH		DOOR SKIN 42 DES FF
7	M0210458		SCREW-SM
8	K2097526		BRACKET - HANDLE SUPPORT
9	M0204303		SCREW-MACH
	K2097526		BRACKET - HANDLE SUPPORT
	M0204303		SCREW-MACH
	PE940176		TRIM - DOOR SXS PRO SIDES
	PM910333		BLOCK EPS DOOR SKIN SXS 42 FF



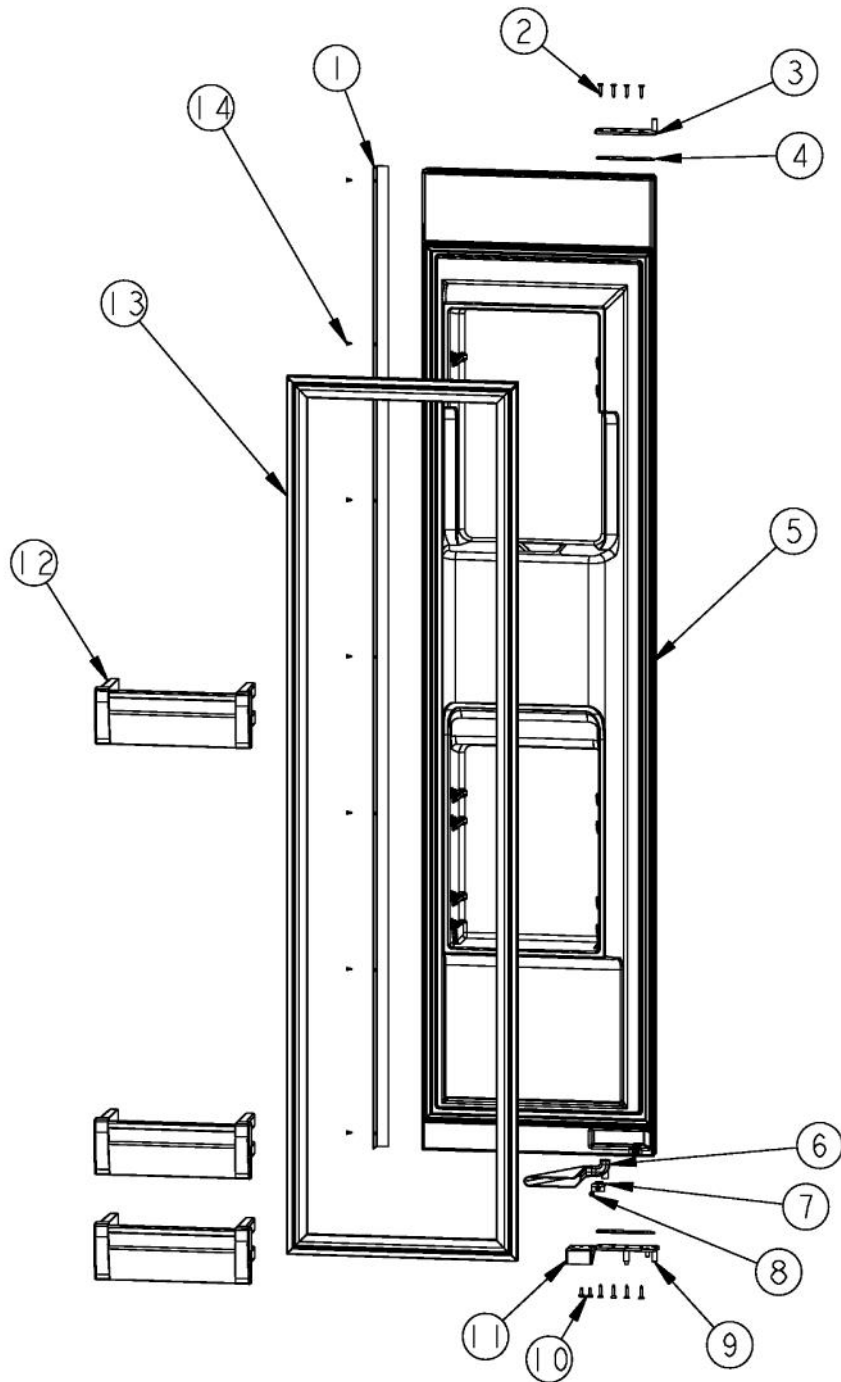
Ref #	Part Number	Qty.	Description
1	PM910189		SHELF WIRE FZ
2	PM910231		FZ FIXED BASKET ASSEMBLY
3	PD020194		SCREW-SM
4	PK930074		GLIDE SXS 48 FZ R
5	PM910190		BASKET ASM FZ
6	PK930107		FZ BASKET SIDE SPACER FRONT
7	12064701		PAD-GLIDE V12064701
8	L20910067		FZ SHELF BRACKET
9	PK930075		GLIDE SXS 48 FZ L



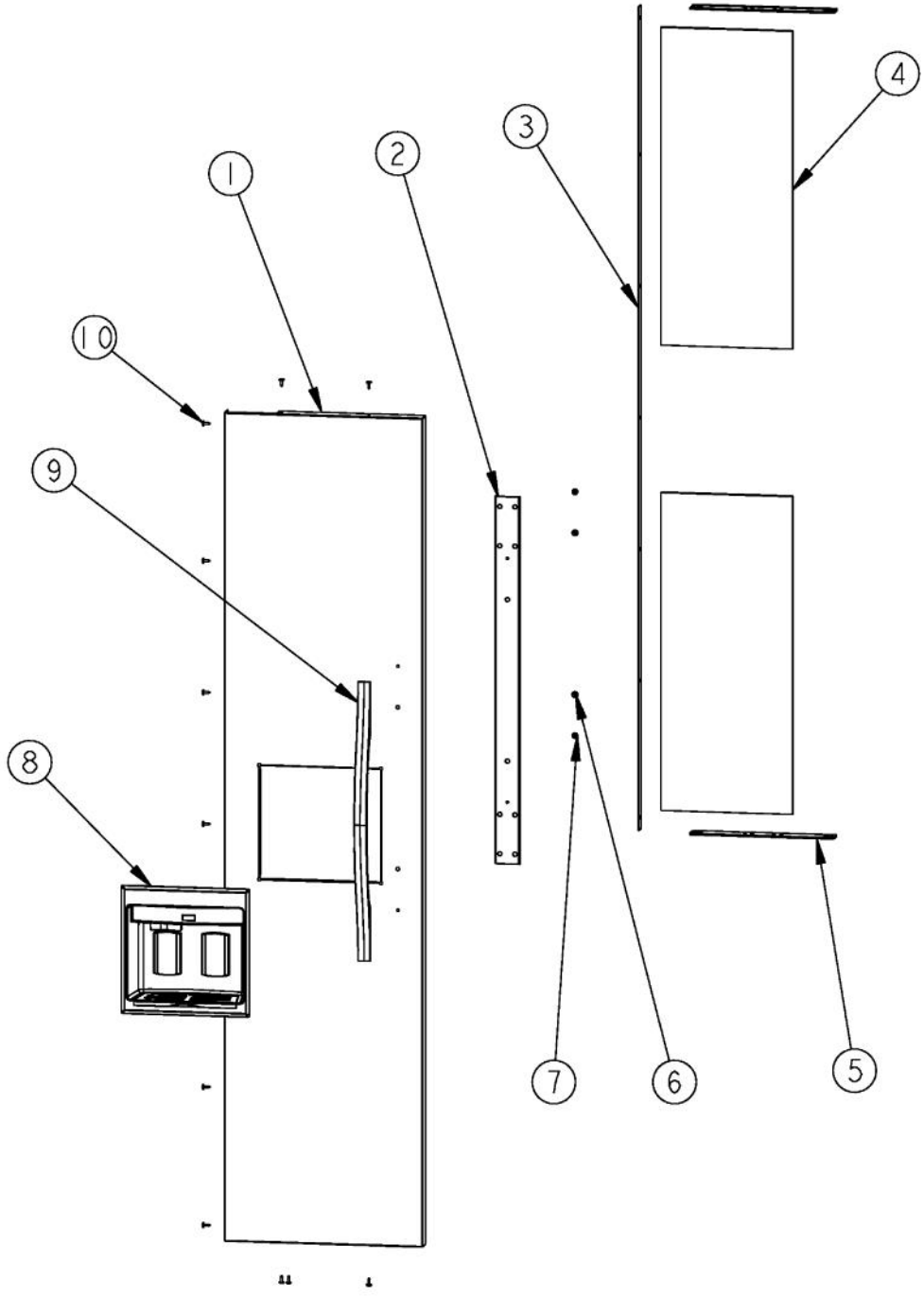
Ref #	Part Number	Qty.	Description
1	C90910058WH		COVER UPPER EVAP
2	PB920220		EXT FILL TUBE
3	PK030436		FILL TUBE
4	10276601		ELBOW-FILLER TUBE
NI	G5096419		FILL TUBE ASSY 10942511 (INCLUDES ITEMS NO. 3 AND NO. 4)
5	PE950158		MOTOR AUGER
6	C90914113WH		BRACKET - AUGER MOTOR (WH)
7	PD020194		SCREW-SM
8	PD020191		SCR. NO.10 PLAS HXW 1/2 S
9	B20911863		DRIVER ? ICE BUCKET RNG
10	M0223101		NUT LOCKING
11	PK930265		GLIDE R FZ
12	M0213503		SCREW-SM
13	PM910331		ICE BUCKET ASSY
14	PK930096		CLOSEOUT - ICE DISPENSER
15	PK930266		GLIDE L FZ
16	C90910027WH		SUPPORT LS ICE BUCKET
17	12258501		SUPPORT-SHELF
18	M0211021		SCREW-SM
19	PK930264		SHELF COVER
20	PM910435		RETAINER WIRE
21	G50911851		ICE MAKER ASM, SXS ND, AF



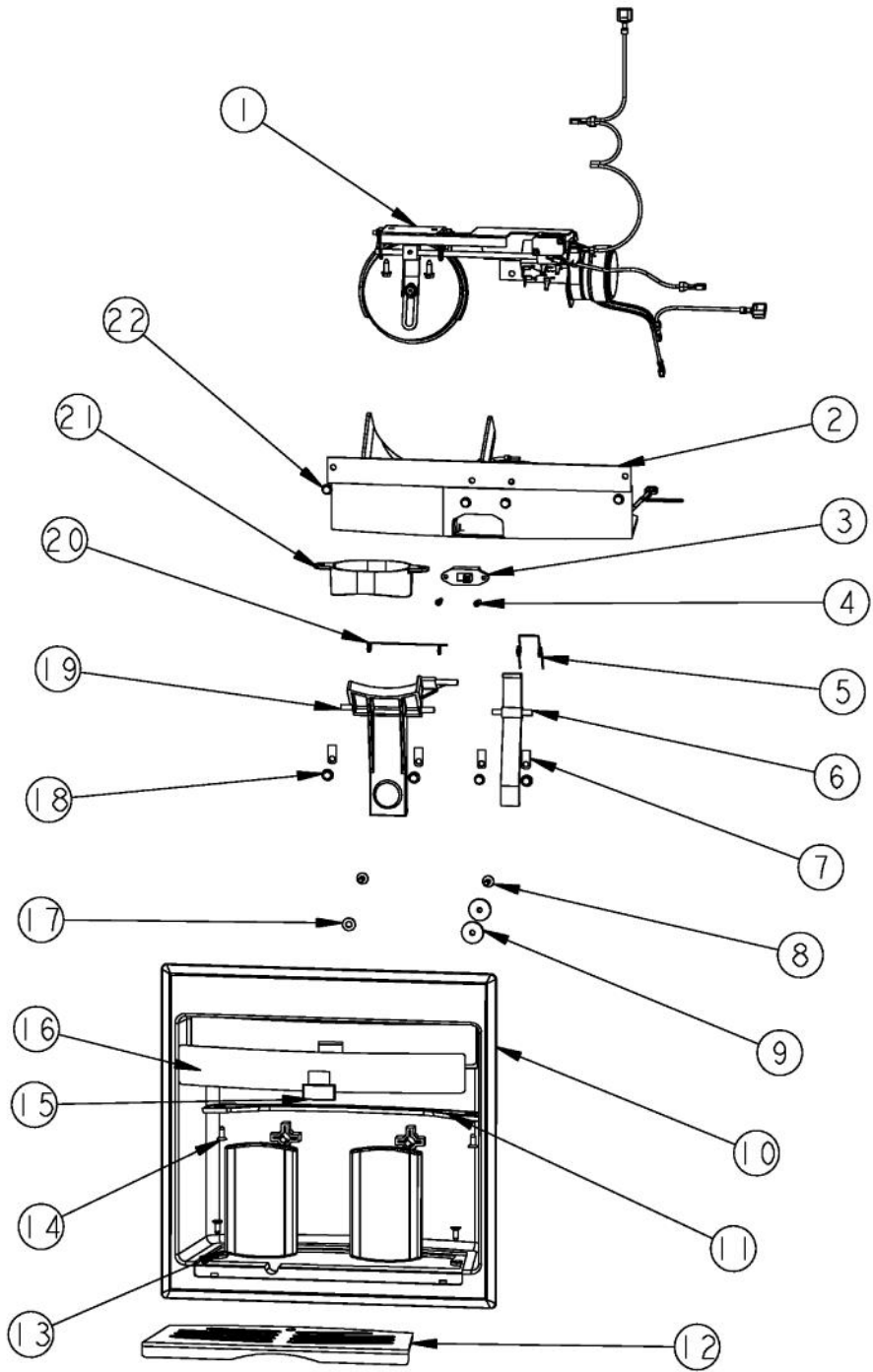
Ref #	Part Number	Qty.	Description
1	L2099475		BRACKET LIGHT SXS FZ
2	A3079001		LAMP - 40W
3	PE950125		LIGHT SOCKET
4	C90910058		UPPER EVAPORATOR COVER
5	M0221913		SCREW-SM
6	PK930086		COVER FAN SXS 48 FZ
7	M0288120		NUT-SPEED, VM0288120
8	K2096475		PLATE-FAN MNT 12404701
9	PD020188		SCR 8-18 BT HXWS 1 1/2
10	000732-000		FRESH FOOD FAN - 1.2 W
11	L20914115		FAN BRACKET
12	PD920193		SCREW
13	L20910056		COVER EVAP MOTOR
14	L20910057		COVER CENTER EVAP
15	C8983701		THERMISTOR
16	M0211014		SCREW-SM
17	L20910054		COVER LOWER EVAP
18	PM910375		LADDER R/L FZ
19	M0238535		SCREW-SM
20	L20910075		COVER EVAP FAN
21	L20914114		FAN COVER
22	PK930116		COVER LIGHT ASM SXS 42 FZ
23	PD020194		SCREW-SM
	B5733302		CLIP-GROUND
	M0580007		GROMMET-SCREW



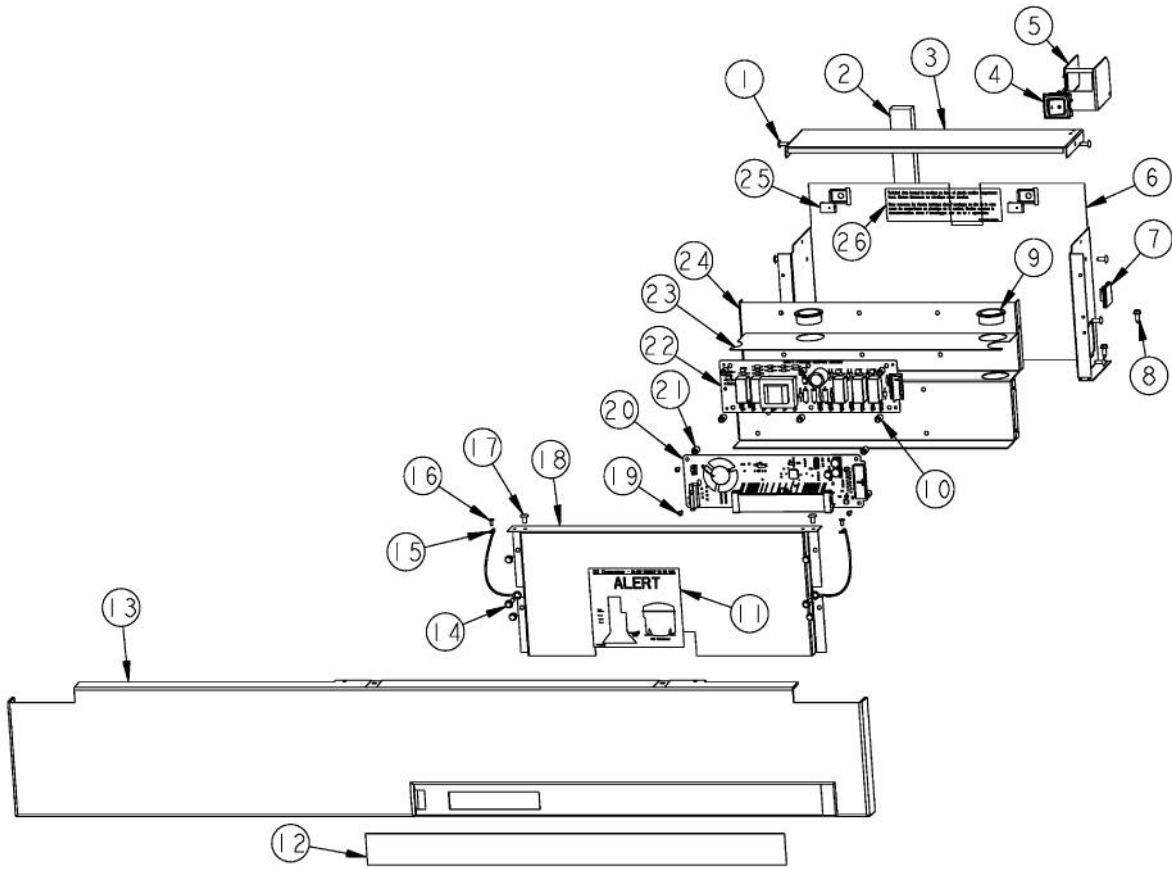
Ref #	Part Number	Qty.	Description
1	PK930006		SPACER - SS DES
2	PD920174		10-32 TORX HEAD SCREW
3	PC020279		PIVOT PL ASM LH UP PRO/DES
4	PD040162		SPACER-DOOR HINGE
5	G32915036		DOOR ASM 42D FZ (INCLUDES GASKET)
6	PK930297		ELBOW CHASE SXS DISP
7	PK930298		RETAINER ELBOW 42 SXS DISP
8	M0210458		SCREW-SM
9	PC020277		PIVOT PL ASM LH LW PRO/DES
10	M0210458		SCREW-SM
11	PD050019		STRIKER DOOR SWITCH
12	G5098676		DOORBIN ASM SXS 42 & 48 FZ
13	PB070328	1	DOOR GASKET (BEFORE 06-10-08)
13	005453-000	1	GASKET, ASM, 42, SXS, FZ DISP (ON OR AFTER 06-10-08)
14	M0215704		SCREW-SM



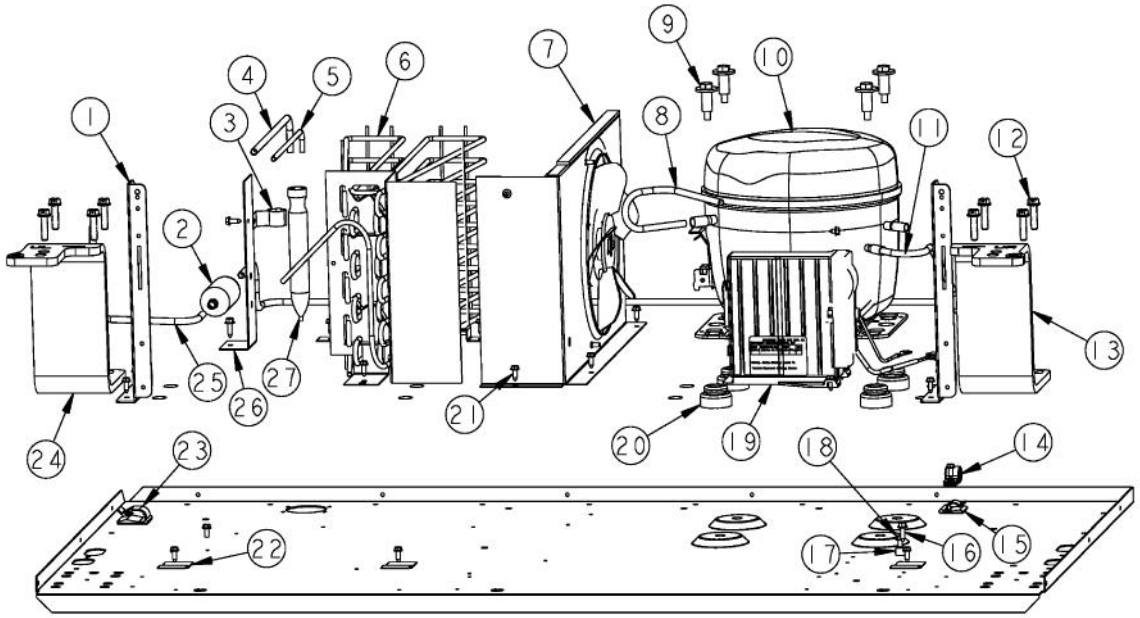
Ref #	Part Number	Qty.	Description
1	B20915918		DOOR SKIN 42 DES FZ DISP
	C90915918AL		DOOR SKIN - AL
	C90915918BK		DOOR SKIN 42 DES FZ DISP
	C90915918BT		DOOR SKIN 42 DES FZ DISP
	C90915918BU		DOOR SKIN 42 DES FZ DISP
	C90915918CB		DOOR SKIN 42 DES FZ DISP
	C90915918EP		DOOR SKIN - EP
	C90915918FG		DOOR SKIN - FG
	C90915918GG		DOOR SKIN 42 DES FZ DISP
	C90915918LE		DOOR SKIN 42 DES FZ DISP
	C90915918MJ		DOOR SKIN 42 DES FZ DISP
	C90915918SG		DOOR SKIN 42 DES FZ DISP
	C90915918VB		DOOR SKIN 42 DES FZ DISP
	C90915918WH		DOOR SKIN 42 DES FZ DISP
2	K2097526		BRACKET - HANDLE SUPPORT
3	PD940087		SPACER DOOR SKIN-HINGE SIDE (75.1)
4	000656-000		BLOCK, EPS REF DOOR 42/48 SXS FZ DES
5	PK030558		TRIM DOOR BULLNOSE 42 FZ TOP/BOT
6	M0204303		SCREW-MACH
7	PD030152		CAPPED WASHER PAL NUT
8	Des. Bezel Assembly		SEE PAGE 013 FOR BREAKDOWN
9	PE030166		DESIGNER REFRIGERATOR HANDLE
	PE030092PVD		FF/FZ DR. HANDLE - DESIGNER - BRASS
10	M0210458		SCREW-SM



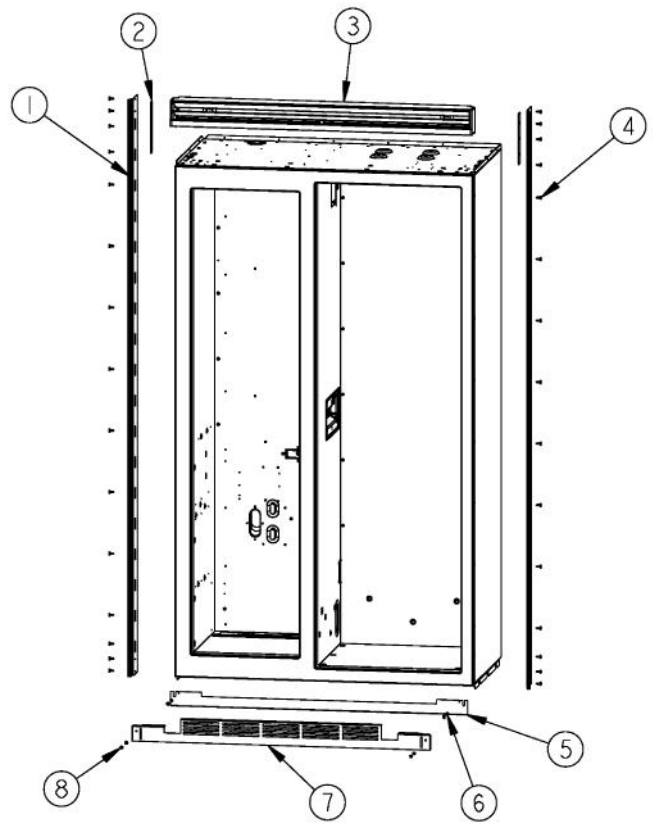
Ref #	Part Number	Qty.	Description
1	G50914150		ICE DISPENSER MODULE ASM
2	PE070755		DISPENSER CAVITY ASSEMBLY
3	PE950152		SWITCH SLIDE
4	00334-000		SCREW, NO.4-24 X 1/2
5	B8385402		SPRING-RETURN
6	PK930404		ARM WATER ACTUATOR
7	B10910081		DISP RETAINER ICE ARM
8	M0210443		SCREW-E SM
9	M0270546		WASHER
10	PB910233		BEZEL I/W DISPENSER DESIGNER
11	12268304		STOP FACADE
12	PB980026		SPILL TRAY - I/W DISPENSER
13	12221005		PAD ACTUATOR
14	M0215318		SCREW-SM
15	PK930145		CAP - BLACK SWITCH
16	PB910281		INSERT FACADE SXS DISPENSER
17	PD040071		NO.8- .437 O.D. FLAT WASHER SS
18	PD020193		SCR 8-18 X 3/8
19	PK030470		ARM ICE ACTUATOR
20	PC010022		SPRING RETURN ICE ACTUATOR
21	PM010625		SHROUD ICE DISPENSER BK
22	PD020194		SCREW-SM
NI	011209-000		6 WATT LIGHT BULB



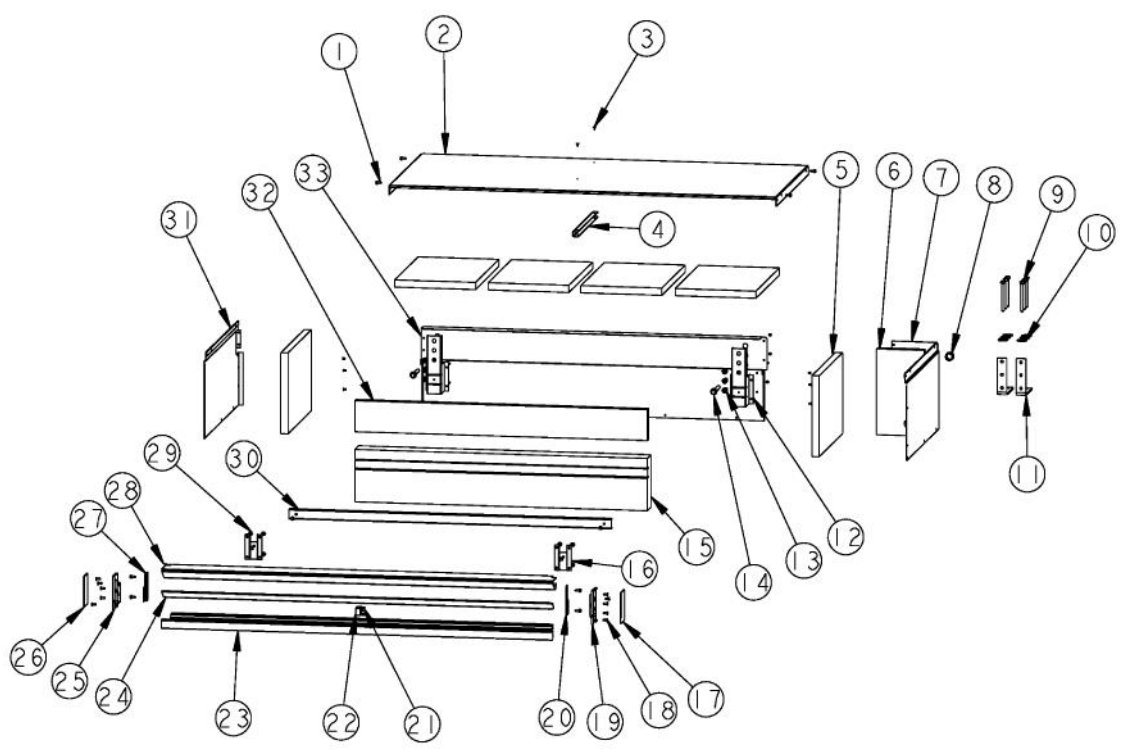
Ref #	Part Number	Qty.	Description
1	PC040010		POP RIVET
2	A3030361		GASKET, RED
3	K2091500		CONTROL BOX TOP
4	PE950149		SWITCH POWER
5	K2098654		BRACKET SWITCH POWER
6	K2099402		CONTROL BOX
7	M0104106		CLIP-CORD VM0104106
8	PD020194		SCREW-SM
9	A4554817		BUSHING-SNAP VA4554817
10	M0585504		SUPPORT
11	PF930672		LABEL DC COMPRESSOR
12	PE950175		OVERLAY SWITCH SXS 42 NON - DISP
13	PK930230		CONTROL PANEL SXS 42
14	M0238846		SCREW-SHLDR
15	12064001		SUPP-CONT PANEL
16	PC040010		POP RIVET
17	M0224128		SCREW-SM
18	K20910061		CONTROL BOX FRONT
19	PD020013		TYPE AB NO.6 X 3/8 PH PAN HD. SMS
20	PE070728		BOARD LOW VOLTAGE
21	M0585506		SUPPORT
22	PE970463		POWER CONTROL BOARD
23	PM910325		FILM PROTECTIVE
24	K20910060		BRACKET - PC
25	M0288120		NUT-SPEED, VM0288120
26	PF930487		TECH LITERATURE LABEL - 2



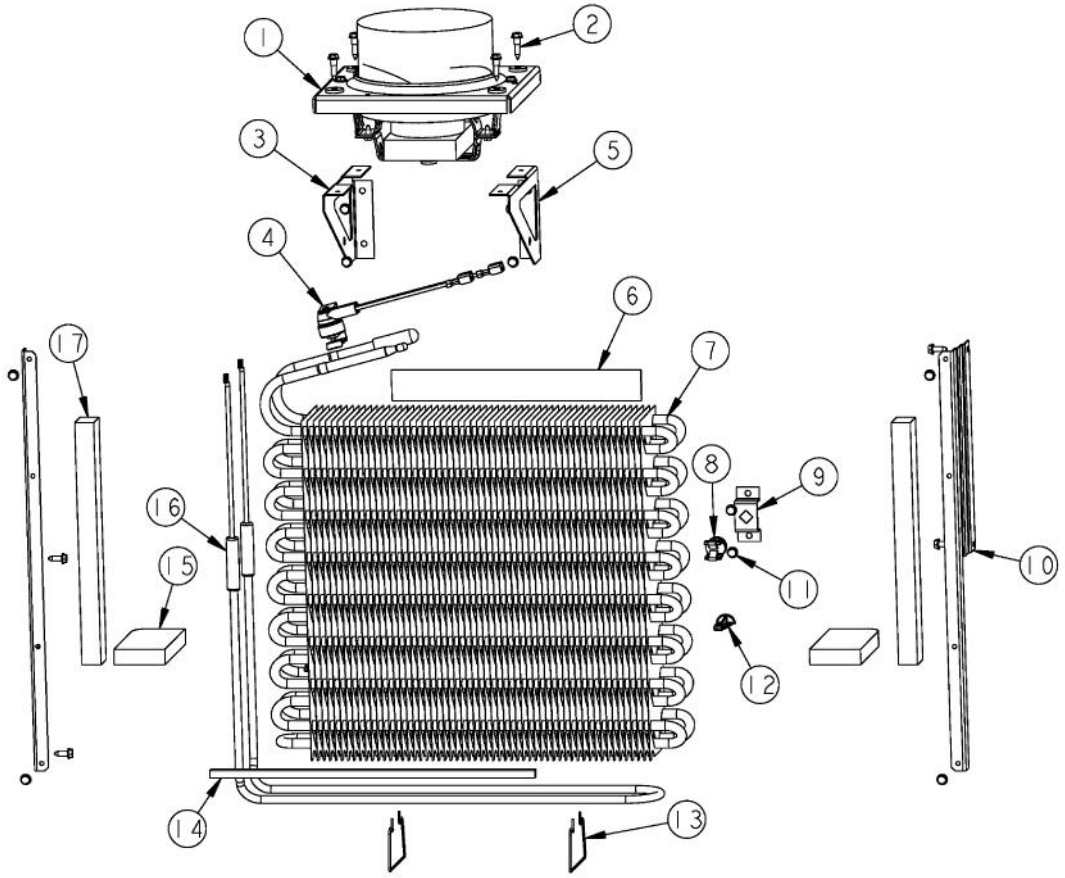
Ref #	Part Number	Qty.	Description
1	K20912569		BRACKET GRILLE SUPPORT
2	PB920201		ACCUMULATOR
3	10547001		CLIP-DRIER V10547001
4	F2097740		TUBE PROCESS
5	F2096504		TUBE-DRIER EXT
6	PB920171		CONDENSER ASM
7	G5096494		COND. FAN ASSY
8	F2096507		TUBE-PROCESS GRN
9	M0221523		SCREW - SHLDR
10	G5097976		COMPRESSOR ASSEMBLY (363 AND 483)
11	F2099443		TUBE DISCHARGE FORMED PRE ACCUM
12	000570-000		HEX SCREW
13	PC920203		HINGE ASM UR
14	PD030118		SCREW - SHLDR
15	M0104106		CLIP-CORD VM0104106
16	PD020195		SCR 8-18 X 5/8
17	M0103904		CLAMP-SPEED
18	PD020010		10 X 3/8 GREEN GROUNDING SCREW
19	PE070849		INVERTER
20	10835901		GROMMET RUBBER V10835901
21	PD020194		SCREW-SM
22	K2096943		PANEL BRACKET
23	M0104102		CLIP-CORD RED
24	PC920204		HINGE ASM UL
25	F2099444		TUBE DISCHARGE FORMED POST ACCUM
26	K2099454		BRACKET DRIER
27	10743201		DRIER, HI SIDE



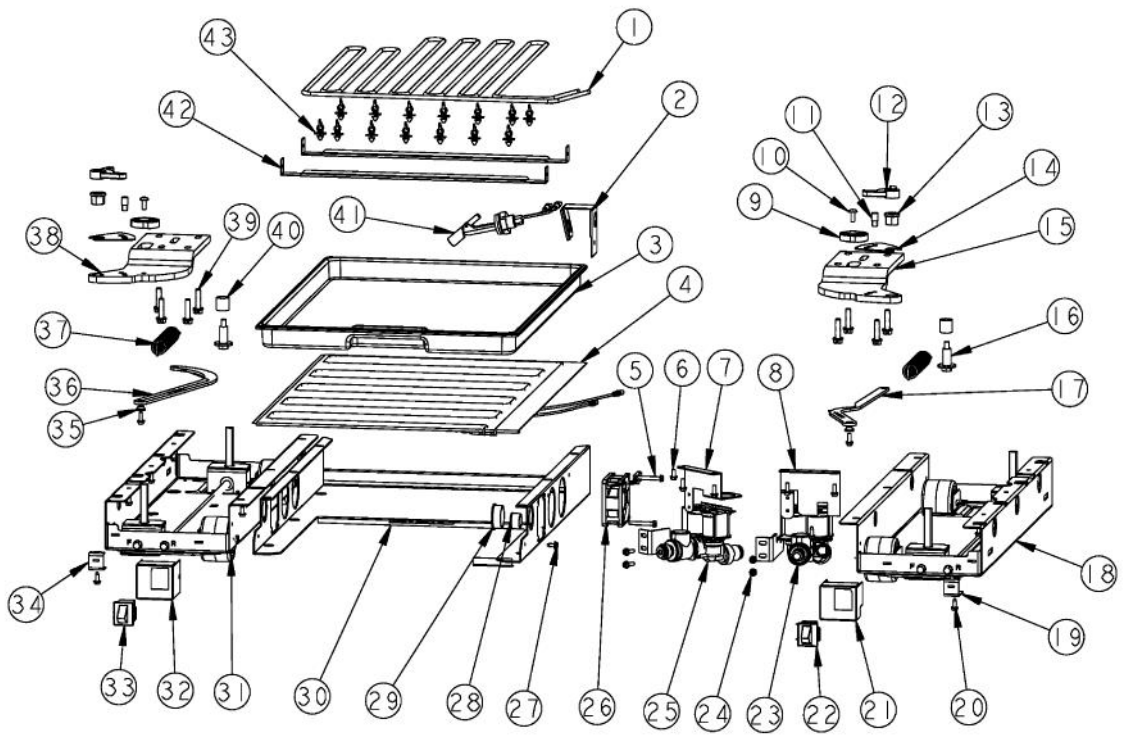
Ref #	Part Number	Qty.	Description
1	PK920066		SIDE TRIM
2	12135402		SHIM-CAB TRIM
3	G32912541		GRILLE ASM SXS 42 DES FOR BREAKDOWN SEE PAGE 016
4	M0210458		SCREW-SM
5	000207-002		KICKPLATE, LWR
6	40370P01		NYLON FLAT WASHER V40370P01
7	C9097789BK		GRILLE TOE VENTED BK
8	M0210443		SCREW-E SM
NI	G50915601		GRILLE TOE ASM SXS 42



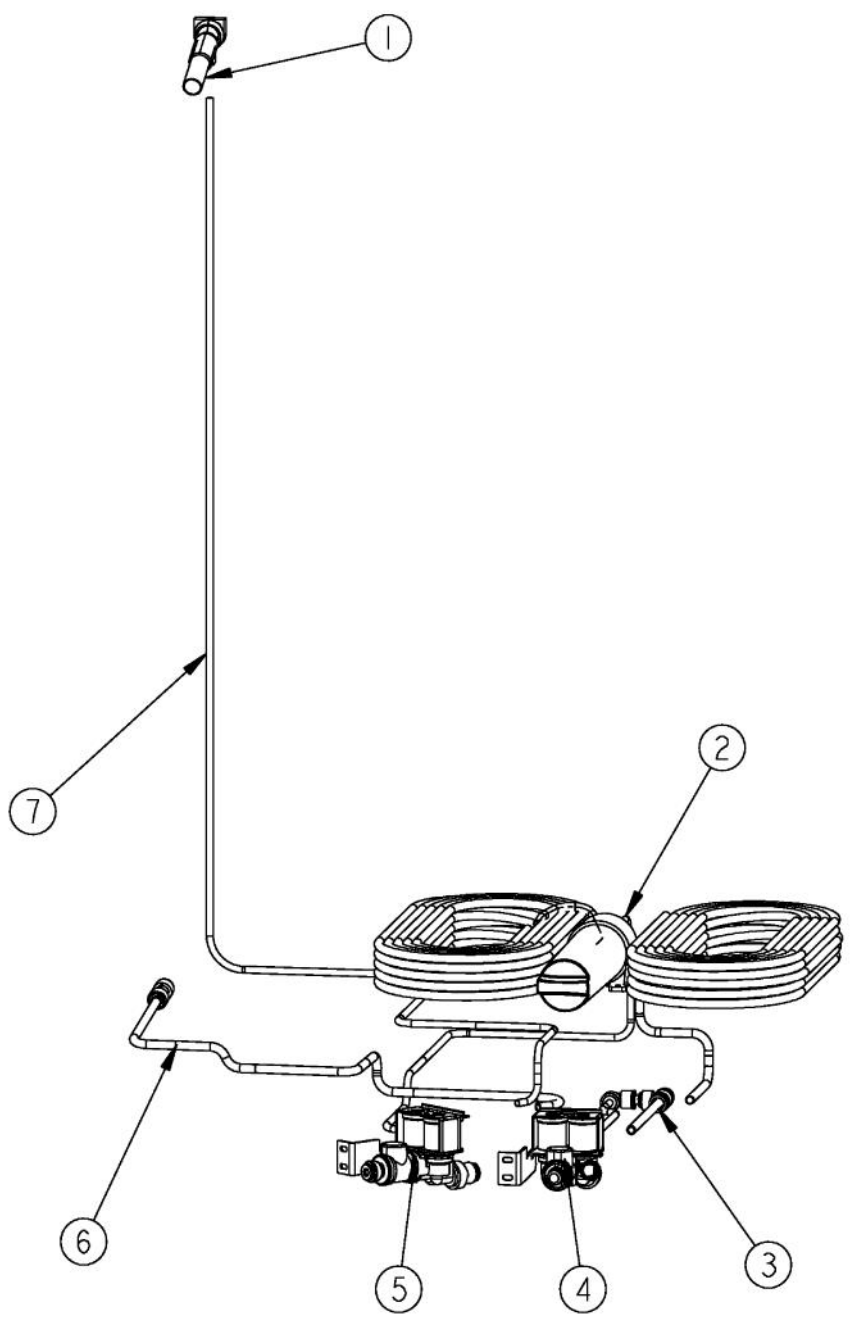
Ref #	Part Number	Qty.	Description
1	PD020194		SCREW-SM
2	K2099458		MC TOP SXS 42
3	PC040010		POP RIVET
4	K2099455		SUPPORT MC Z
5	PB070355		INSULATION MC COVER
6	PB970171		MC INSULATION - BACK SIDE
7	K2099459		MC SIDE R
8	A4554806		BUSHING-SNAP VA4554806
9	M0223509		SCREW-LAG
10	M0270510		WASHER
11	PK910089		BRACKET, ANTI - TIP
12	K20915675		BRACKET PSM
13	PD040157		BEARING SLEEVE
14	PD020233		SCR LAG 5/16-9 GX 5/16X7/16 WAF IHXW 3 S ZN
15	PB070361		INSULATION MC COVER
16	PK050004		BRACKET GRILLE
17	PM910072		COVER - END CAP 12119802
18	M0215318		SCREW-SM
19	PM910348		ENP CAP GRILLE R
20	K2099470		BRACKET GRILLE SUPPORT R
21	M0230028		SCREW-TC
22	PM910084		SUPPORT GRILLE 12201201
23	PM910306		GRILLE LOWER SXS 42 DES
24	PM910305		GRILLE CENTER SXS 42 DES
25	PM910349		END CAP GRILLE L
26	PM910071		COVER - END CAP 12119801
27	K2099471		BRACKET GRILLE SUPPORT L
28	PM910304		GRILLE UPPER SXS 42 DES
29	M0224128		SCREW-SM
30	K20915903		CROSSMEMBER PSM 42
31	K2099460		MC SIDE L
32	PB070360		INSULATION MC COVER
33	K2099461		MC BACK 42



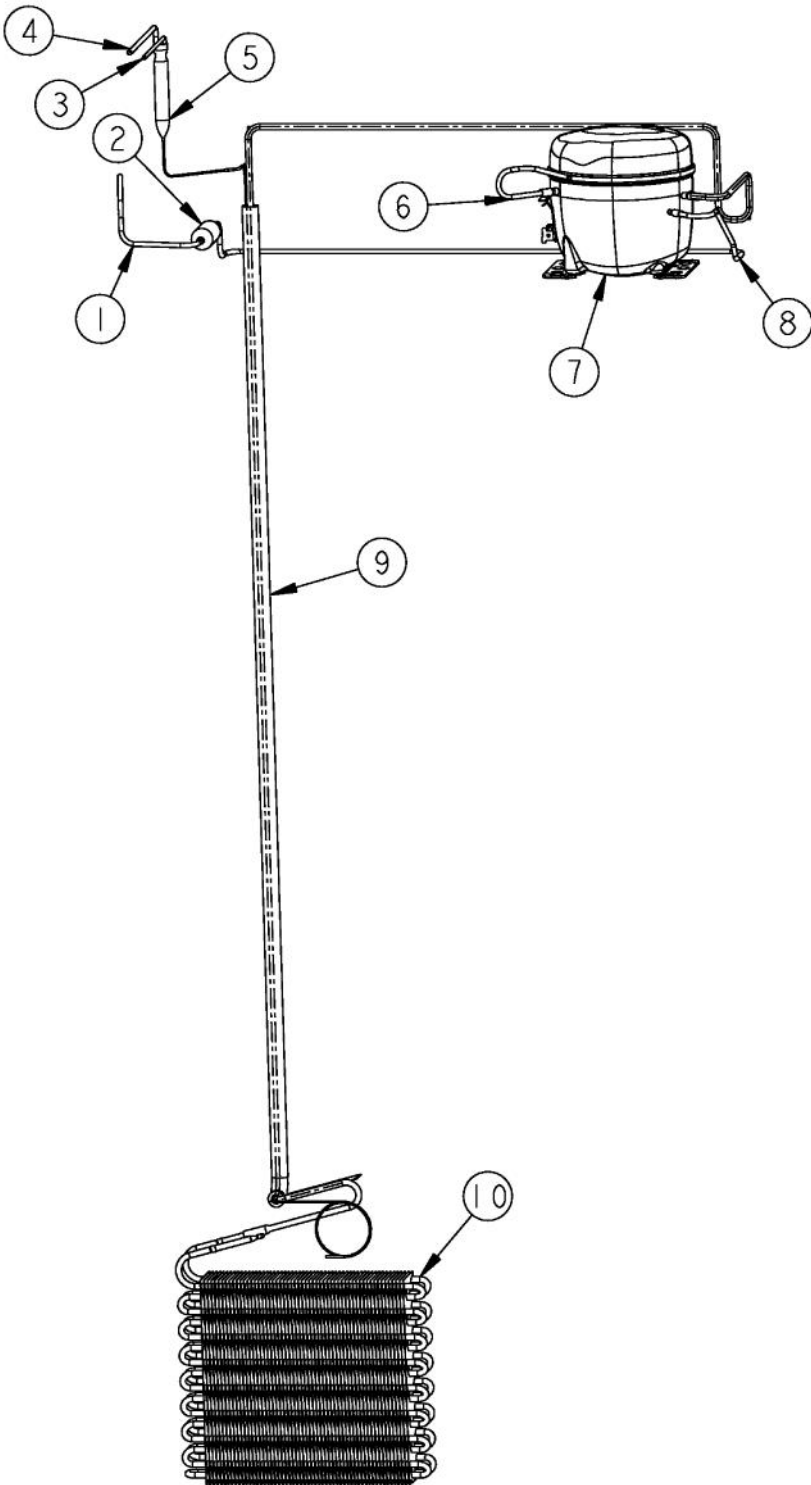
Ref #	Part Number	Qty.	Description
1	G5098660		FAN EVAP ASM
2	M0238859		SCREW-SHLDR
3	K2096458		BRKT-L-EVAP-FAN 12223102
4	PB910259		THERMOSTAT DEFROST TERMINATOR
5	K2096457		BRKT-R-EVAP FAN 12223101
6	A3189370		GASKET-FOAM VA3189370
7	PM910206		EVAPORATOR SXS 48
8	10623003		CLIP-EVAP
9	K2096456		BRKT-EVAP CLIP 12215101
10	K2096461		BRKT-EVAP COVER 12234801
11	PD020194		SCREW-SM
12	10527401		CLIP-EVAP
13	10428101		CLIP-EVAP HTR V10428101
14	A3030303		GASKET
15	10629001		BLOCK-R AIR COIL RED
16	PJ910031		HEATER EVAP SXS
17	A3030361		GASKET, RED



Ref #	Part Number	Qty.	Description
1	F20915693		SERPENTINE CONDENSER DRAIN ALL SXS'S
2	B20915627		BRACKET HORIZ FLOAT SWITCH
3	PK930348		PAN DRAIN
4	G50914125		TRAY PAN HEATER
5	PD020274		SCR SLTD HEX WSHR HD 8X1.250 BT
6	PD020010		10 X 3/8 GREEN GROUNDING SCREW
7	K20914175		BRACKET, DUAL VALVE, J.G. INLET
8	K20913790		BRKT VALVE H2O DUAL
9	PM010602		CAM DOOR ADJUSTMENT
10	PD020234		SCREW THP 10-32 X .500 SS BO
11	PC930145		DOOR STOP PIN
12	PD940091		BUSHING - DOOR STOP
13	PD940090		BUSHING - WC DOOR LEVEL
14	PC920144		PLATE - WC DOOR SHIM
15	PC920215		HINGE PLATE SXS LR
16	M0221523		SCREW - SHLDR
17	PC920166		BAR-WC BOT HINGE RH
18	PM910398		LEVELER ASSEMBLY - R
19	K2098044		BRKT GRILLE SUPPORT
20	PD020194		SCREW-SM
21	002667-000		SWITCH,GRILLE,MT,RH
22	PE950147		SWITCH SPST NC BLACK
23	PA070014		VALVE WATER DOUBLE COMP. INLET
24	M0220417		SCREW-TC
25	PA970010		SUB TO G50911843 - VALVE WATER
26	000731-000		AXIAL FAN
27	M0253916		SCREW-TF
28	A4554806		BUSHING-SNAP VA4554806
29	A4554817		BUSHING-SNAP VA4554817
30	K20915952		SHIELD BOTTOM DRAIN
31	PM910399		LEVELER MODULE L
32	002668-000		SWITCH,GRILLE,MT,LH
33	PE950146		SWITCH SPDT BLACK
34	K2098096		BRKT GRILLE SUPPORT
35	PD940094		BUSHING
36	PC920149		BAR-WC BOT HINGE LH
37	PC910015		SPRING EXTENSION
38	PC020289		HINGE PLATE LL
39	000570-000		HEX SCREW
40	PD940107		ROUND SPRING SPACER
41	PE050248		FLOAT SWITCH HORIZONTAL
42	K20911831		BRACKET CONDENSATE SUPPORT
43	PD030146		STAND OFF LOCK CLIP



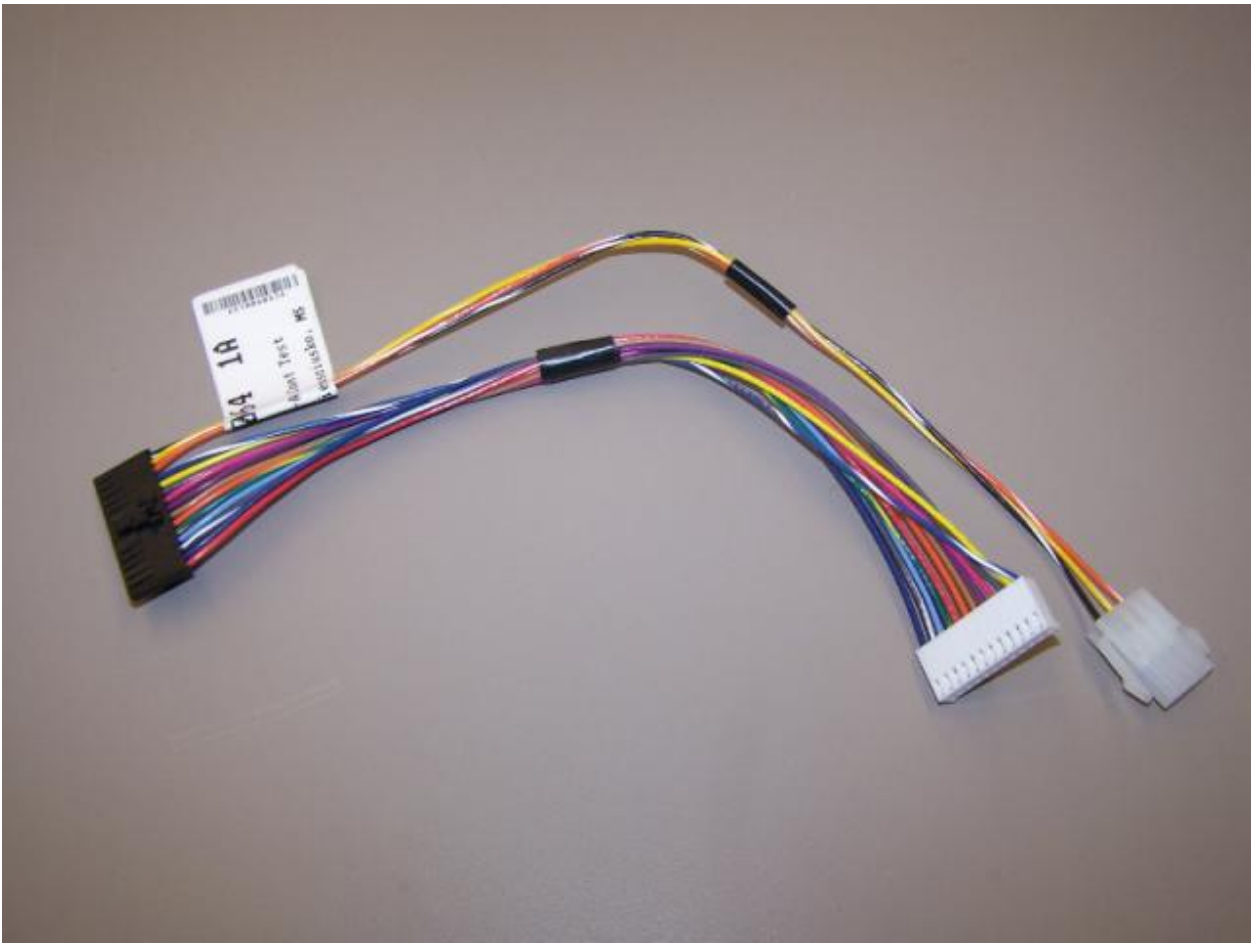
Ref #	Part Number	Qty.	Description
1	G5096419		FILL TUBE ASSY 10942511
2	PA030019		FILTER/COIL TUBE ASM
3	PB020322		TUBE AND FITTING ASM
4	PA070014		VALVE WATER DOUBLE COMP. INLET
5	PA970010		SUB TO G50911843 - VALVE WATER
6	PB020294		TUBE ASM-DOOR TO VALVE
7	PB020303		PLASTIC TUBING-IM WATERLINE SXS DISP
NI	PB020302		PLASTIC TUBING-DOOR WATERLINE SXS DISP



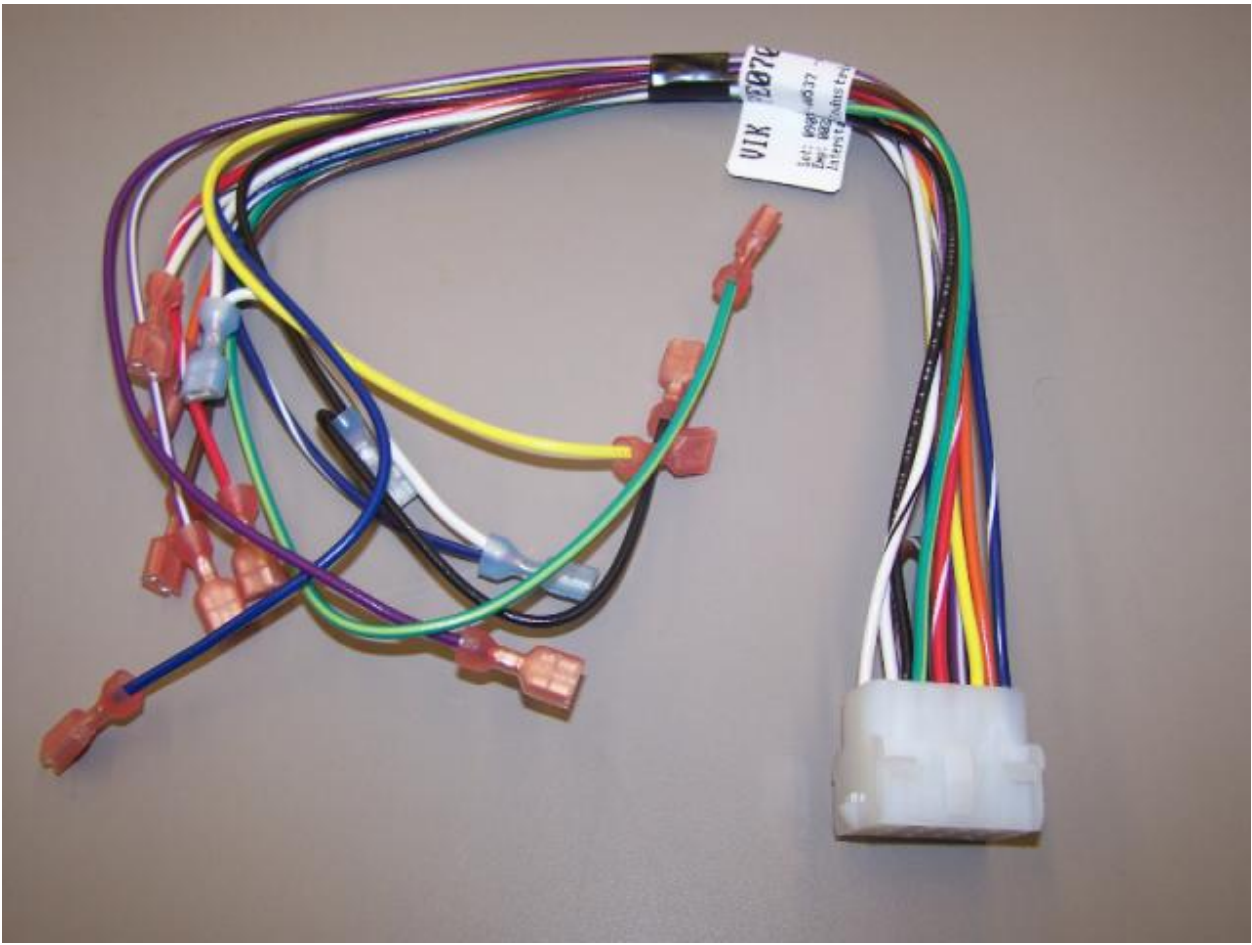
Ref #	Part Number	Qty.	Description
1	F2099444		TUBE DISCHARGE FORMED POST ACCUM
2	PB920201		ACCUMULATOR
3	F2096504		TUBE-DRIER EXT
4	F2097740		TUBE PROCESS
5	10743201		DRIER, HI SIDE
6	F2096507		TUBE-PROCESS GRN
7	G5097976		COMPRESSOR ASSEMBLY (363 AND 483)
8	F2099443		TUBE DISCHARGE FORMED PRE ACCUM
9	F2097793		TUBE FORMED HT EXCH
10	PM910206		EVAPORATOR SXS 48



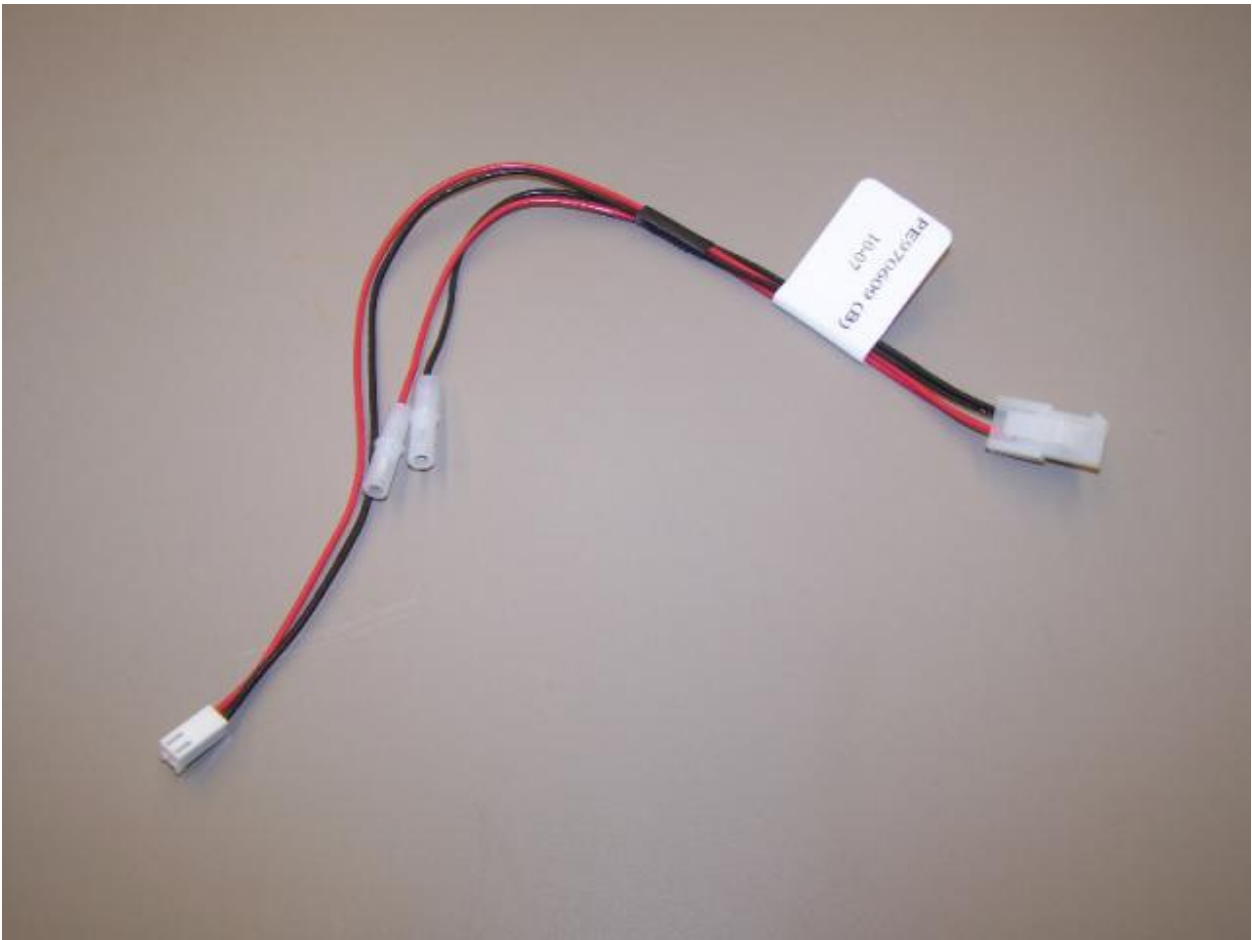
Ref #	Part Number	Qty.	Description
1	PE970595		HARNESS MACH SXS



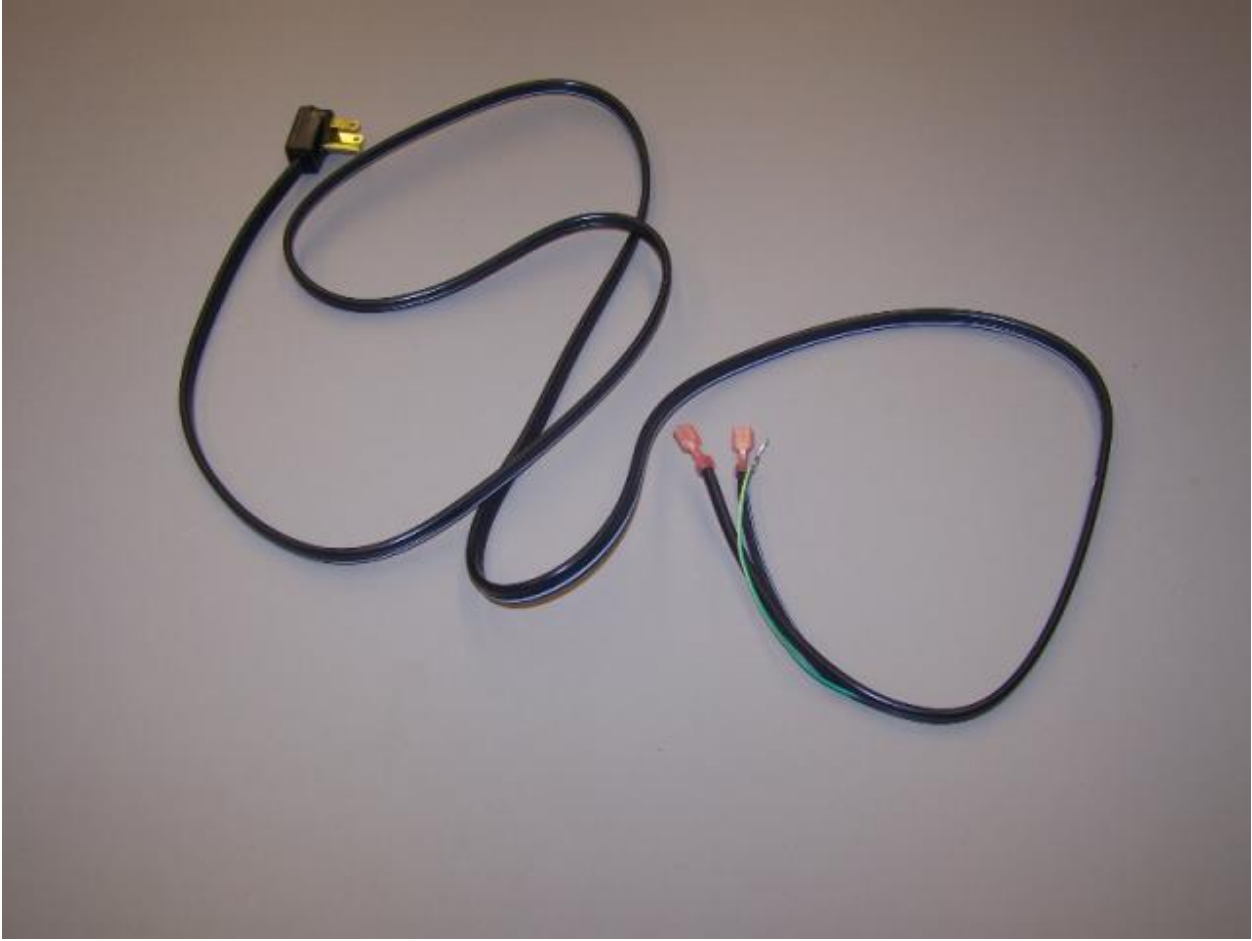
Ref #	Part Number	Qty.	Description
1	PE970464		HARNESS LOW VOLT



Ref #	Part Number	Qty.	Description
1	PE070785		HARNESS HIGH VOLT



Ref #	Part Number	Qty.	Description
1	PE970609		HARNESS CONTROL BOARD



Ref #	Part Number	Qty.	Description
1	10916507		TUBE-PROCESS GRN

*No Image
Available*

Ref #	Part Number	Qty.	Description
1	PE970591	1	HARNESS JUMPER UPPER

*No Image
Available*

Ref #	Part Number	Qty.	Description
1	040066-000	1	HARNESS JUMPER LOWER

*No Image
Available*

Ref #	Part Number	Qty.	Description
1	040085-000	1	HARNESS, MAIN