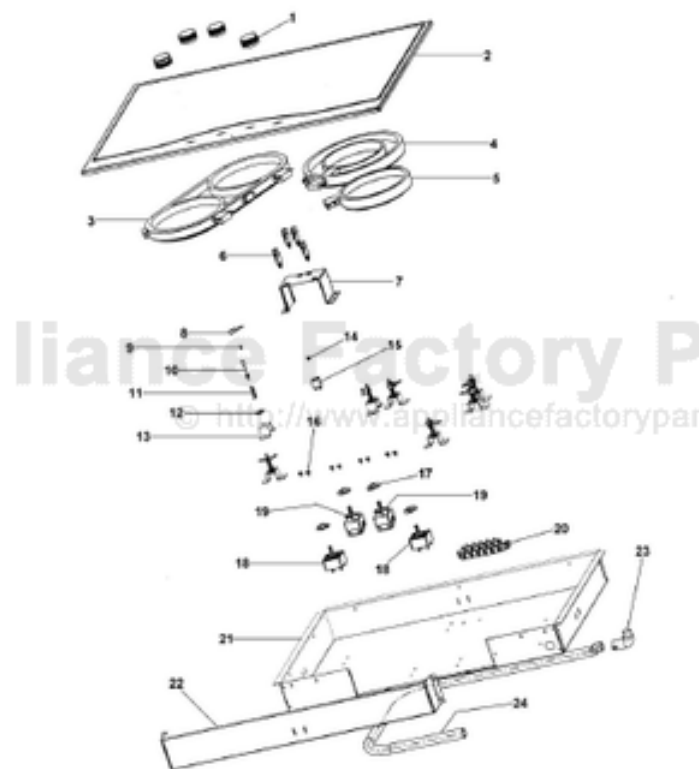


This Owner's Manual is provided and hosted by [Appliance Factory Parts](http://www.appliancefactoryparts.com).



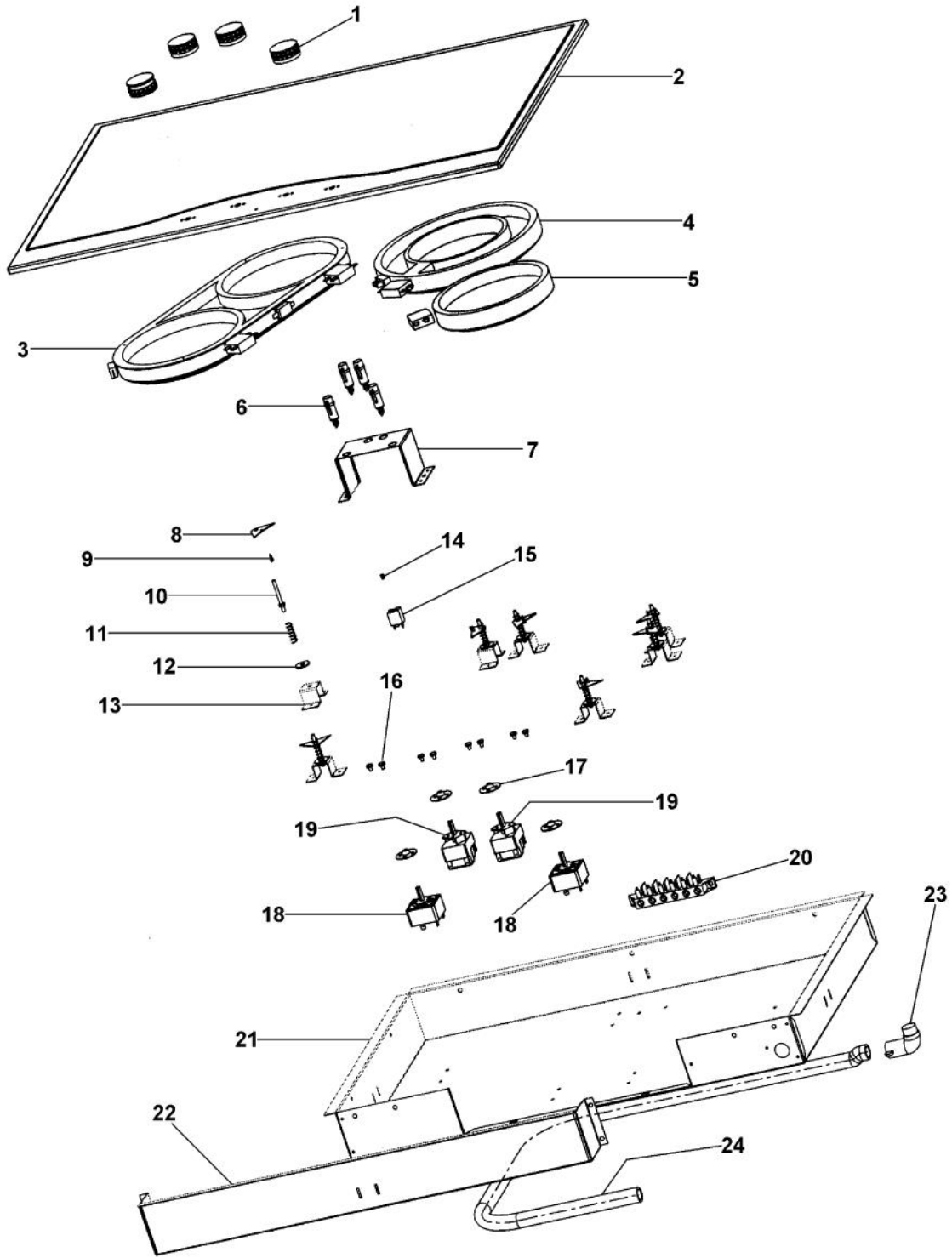
VIKING DECU105 Owner's Manual

[Shop genuine replacement parts for VIKING DECU105](#)



[Find Your VIKING Gas Range Parts - Select From 76 Models](#)

----- Manual continues below -----



Ref #	Part Number	Qty.	Description
1	PB010199 PB010199PVD		ELECTRIC DESIGNER COOKTOP KNOB (BK) ELECT. DESIGNER COOKTOP KNOB BRASS
2	G5005737 G5005738		DESIGNER TOP ASSY DECU105-4BSB DESIGNER TOP ASSY DECU105-4BSW
3	PJ020004		ELEMENT-(2)1800 X 800
4	PJ020005		2500 ELEMENT
5	PJ020003		ELEMENT
6	PE050113		DECU INDICATOR LIGHT (SP-2185-BDPS)
7	A2005723		DECU30 LIGHT BRACKET
8	PM010494		CERAMASPEED BRACKET
9	PD020013		TYPE AB NO.6 X 3/8 PH PAN HD. SMS
10	PD010048		BURNER GUIDE ASSEMBLY DESU
11	PC010006		GUIDE SPRING DESU
12	PD040054		ELEMENT STUD WASHER
13	A2005715		GUIDE HAT BRACKET (DECU)
14	PE050080		JEMCO LENS
15	PE050079		LENS OPENING
16	PD020044		NO.8-32 X 1/4 PH. TR. HD. M.S.
17	PB070078		SILICONE GASKET (DESU)
18	PJ030019		INFINITE SWITCH
19	G50013539		PJ030028 INFINITE SWITCH SERVICE KIT
20	PE070231		TERMINAL BLOCK - 6 POLE (HEYCO)
21	A2005704		BURNER BOX 30 (DECU)
22	A3005703		30 CS CONTROL PANEL COVER
23	PB040070		CONDUIT FITTING (90 DEG)
24	PB020071		CONDUIT - FLEXIBLE (48)
NI	G50013338		DESIGNER COOKTOP INSTALLATION KIT