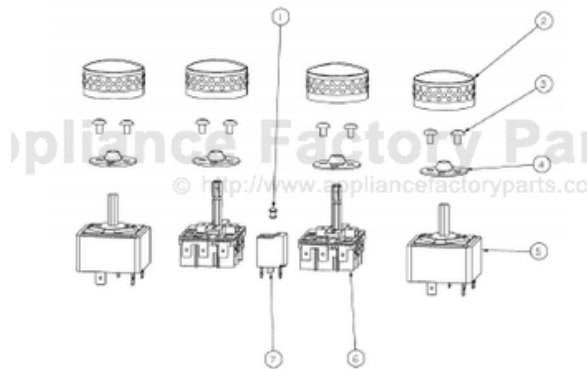


This Owner's Manual is provided and hosted by [Appliance Factory Parts](http://www.appliancefactoryparts.com).



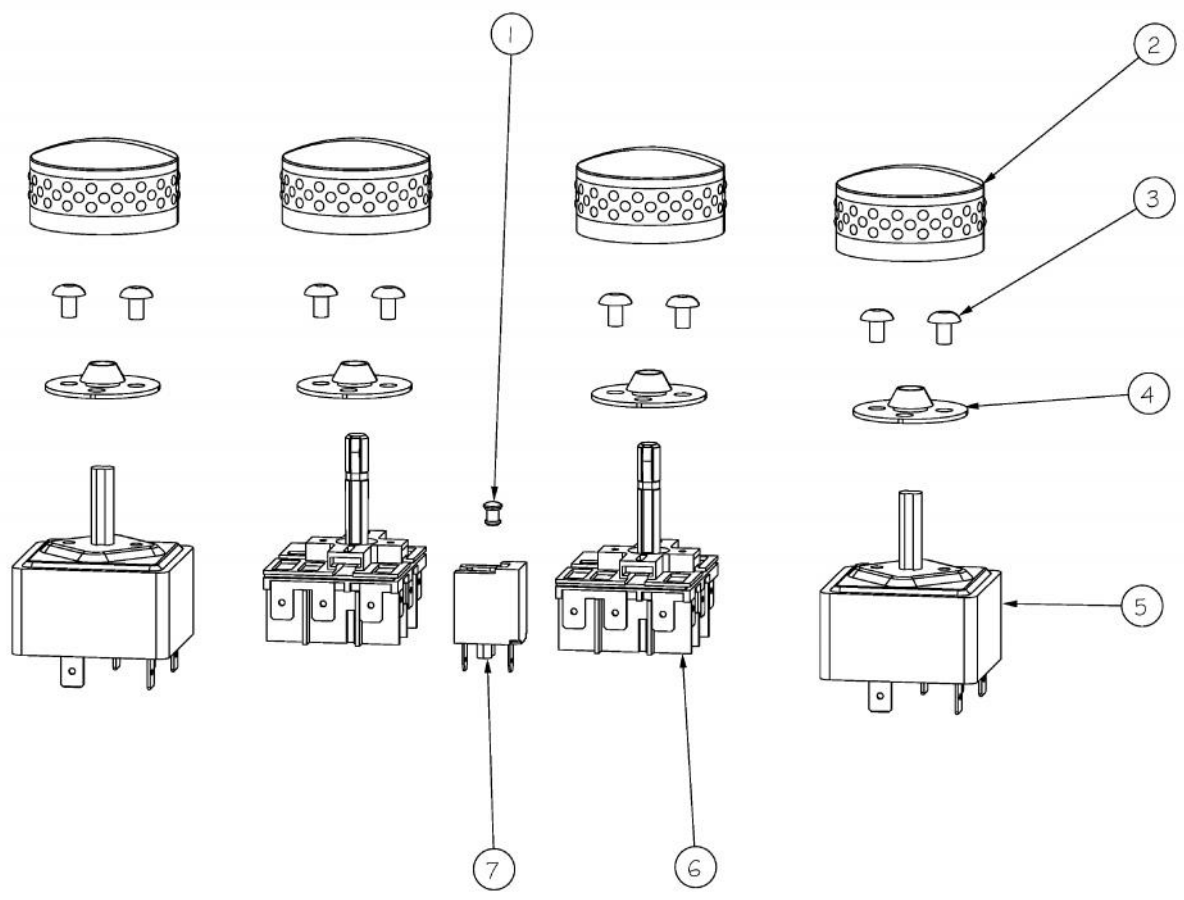
VIKING DECU105-4B Owner's Manual

**Shop genuine replacement parts for VIKING
DECU105-4B**

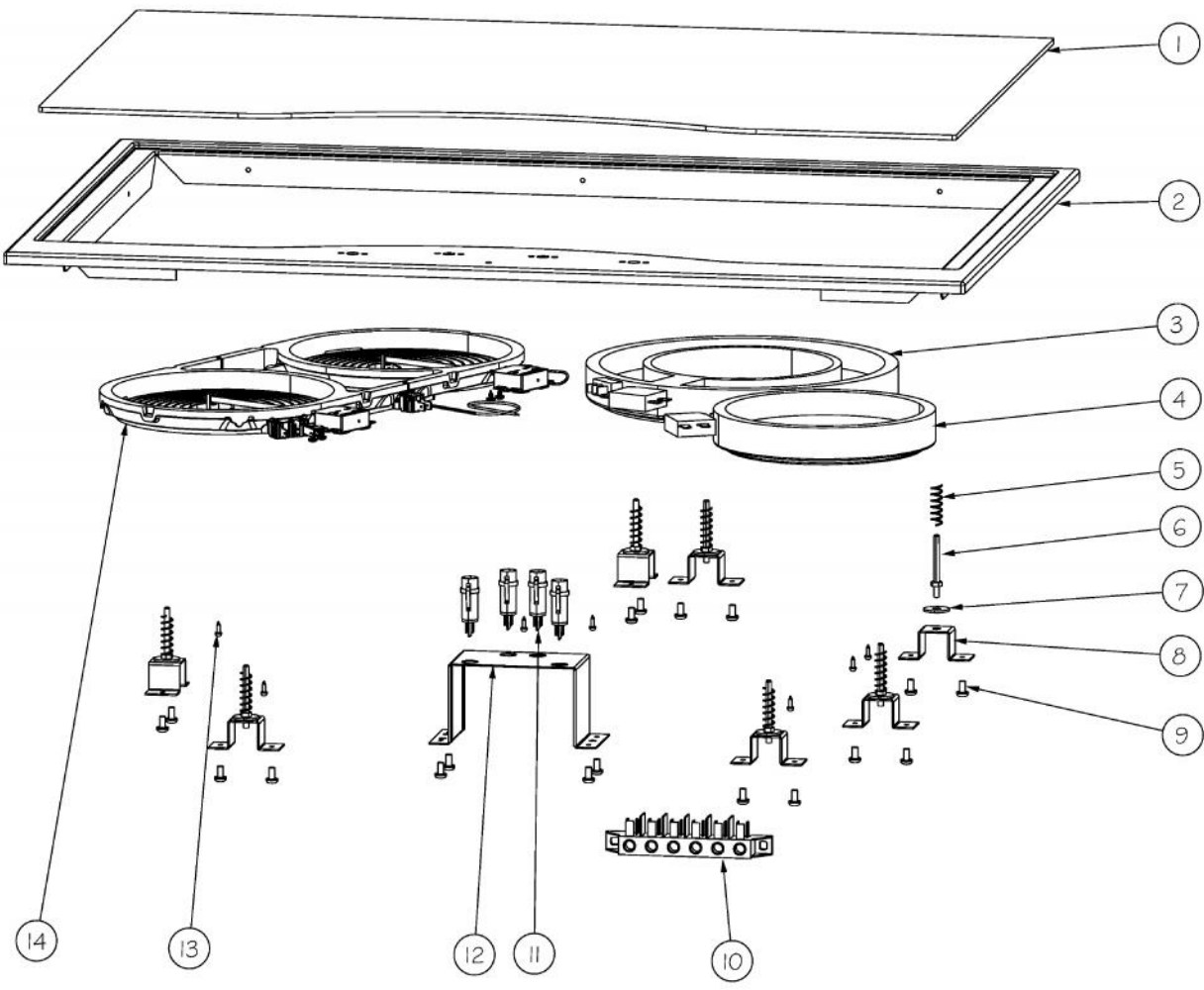


[Find Your VIKING Gas Range Parts - Select From 76 Models](#)

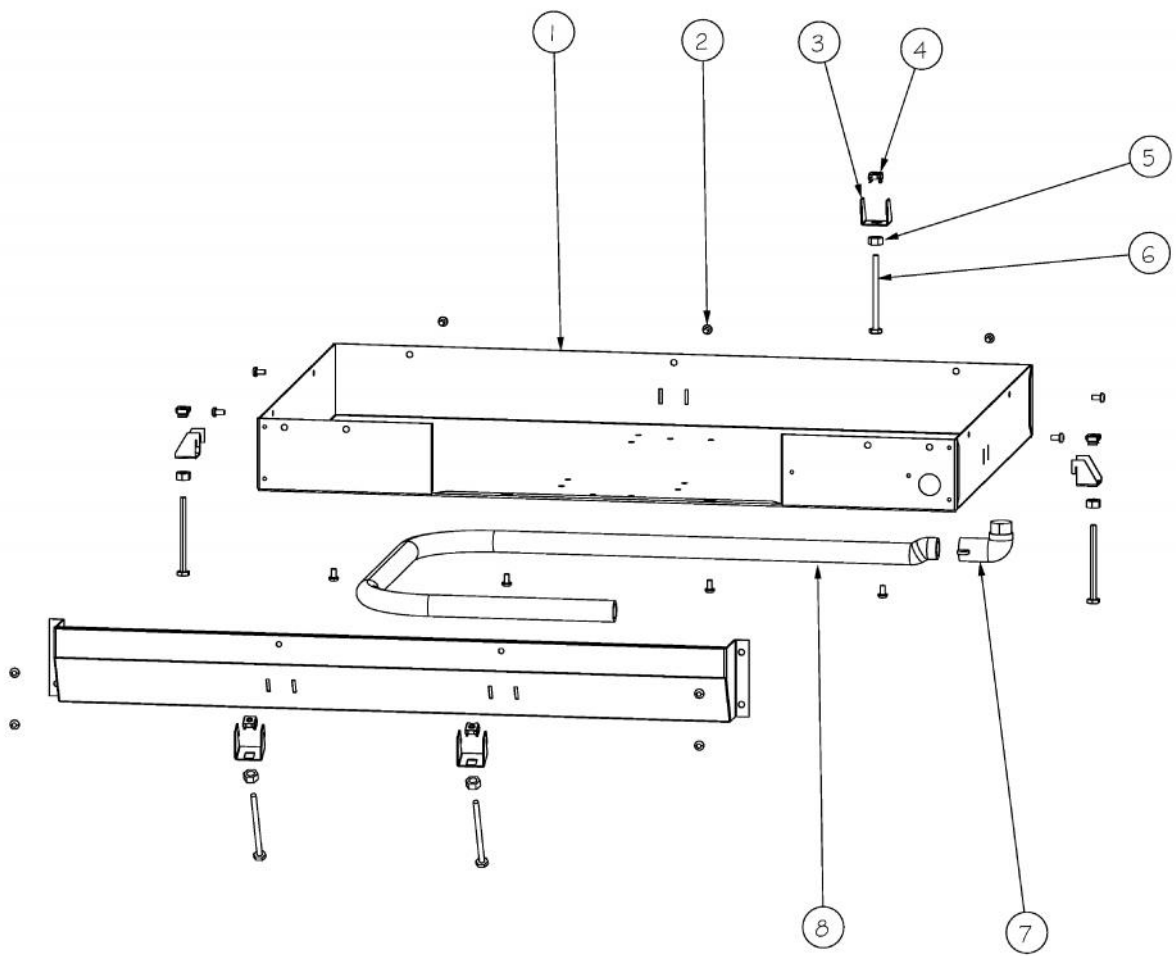
----- Manual continues below -----



Ref #	Part Number	Qty.	Description
1	PE050080	1	JEMCO LENS
2	PB010199	4	ELECTRIC DESIGNER COOKTOP KNOB (BK)
3	PD020044	8	NO.8-32 X 1/4 PH. TR. HD. M.S.
4	PB070078	4	SILICONE GASKET (DESU)
5	PJ030019	2	INFINITE SWITCH
6	PJ030028	2	DUAL INFINITE SWITCH
7	PE050079	1	LENS OPENING



Ref #	Part Number	Qty.	Description
1	N/A	1	30 DECU GLASS BLACK
2	N/A	1	TOP, ASM, DECU105-4B
NI	G5005737	1	DESIGNER TOP ASSY DECU105-4BSB
3	PJ020005	1	2500 ELEMENT
4	PJ020003	1	ELEMENT
5	PC010006	7	GUIDE SPRING DESU
6	PD010148	7	ELEMENT STUD
7	PD040054	7	ELEMENT STUD WASHER
8	A2005715	7	GUIDE HAT BRACKET (DECU)
9	PD020004	18	10X3/8PH.HD.TYPE 25 REPL PD040125
10	PE070231	1	TERMINAL BLOCK - 6 POLE (HEYCO)
11	PE050113	4	DECU INDICATOR LIGHT (SP-2185-BDPS)
12	A2005723	1	DECU30 LIGHT BRACKET
13	PD020013	7	TYPE AB NO.6 X 3/8 PH PAN HD. SMS
14	PJ020004	1	ELEMENT-(2)1800 X 800



Ref #	Part Number	Qty.	Description
1	A2005704	1	BURNER BOX 30 (DECU)
2	PD020004	15	10X3/8PH.HD.TYPE 25 REPL PD040125
3	A2005721	5	MOUNT BRACKET (DECU)
4	PD030029	5	SELF RETAINING NUT (1/4-20)
5	PD030008	5	HEX NUT
6	PD020123	5	BOLT 1/4-20 X 3 HEX HD
7	PB040070	1	CONDUIT FITTING (90 DEG)
8	PB020071	1	CONDUIT - FLEXIBLE (48)