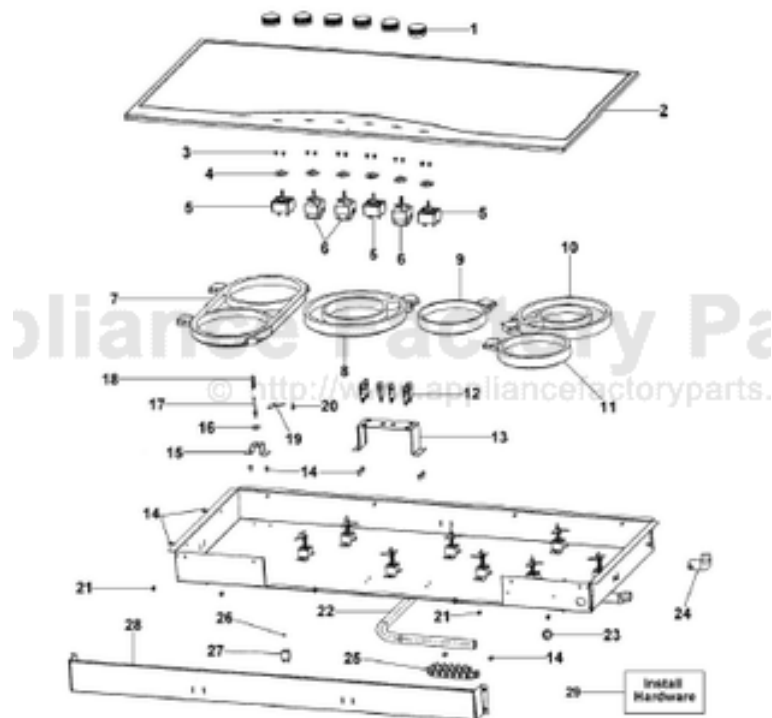


This Owner's Manual is provided and hosted by [Appliance Factory Parts](#).



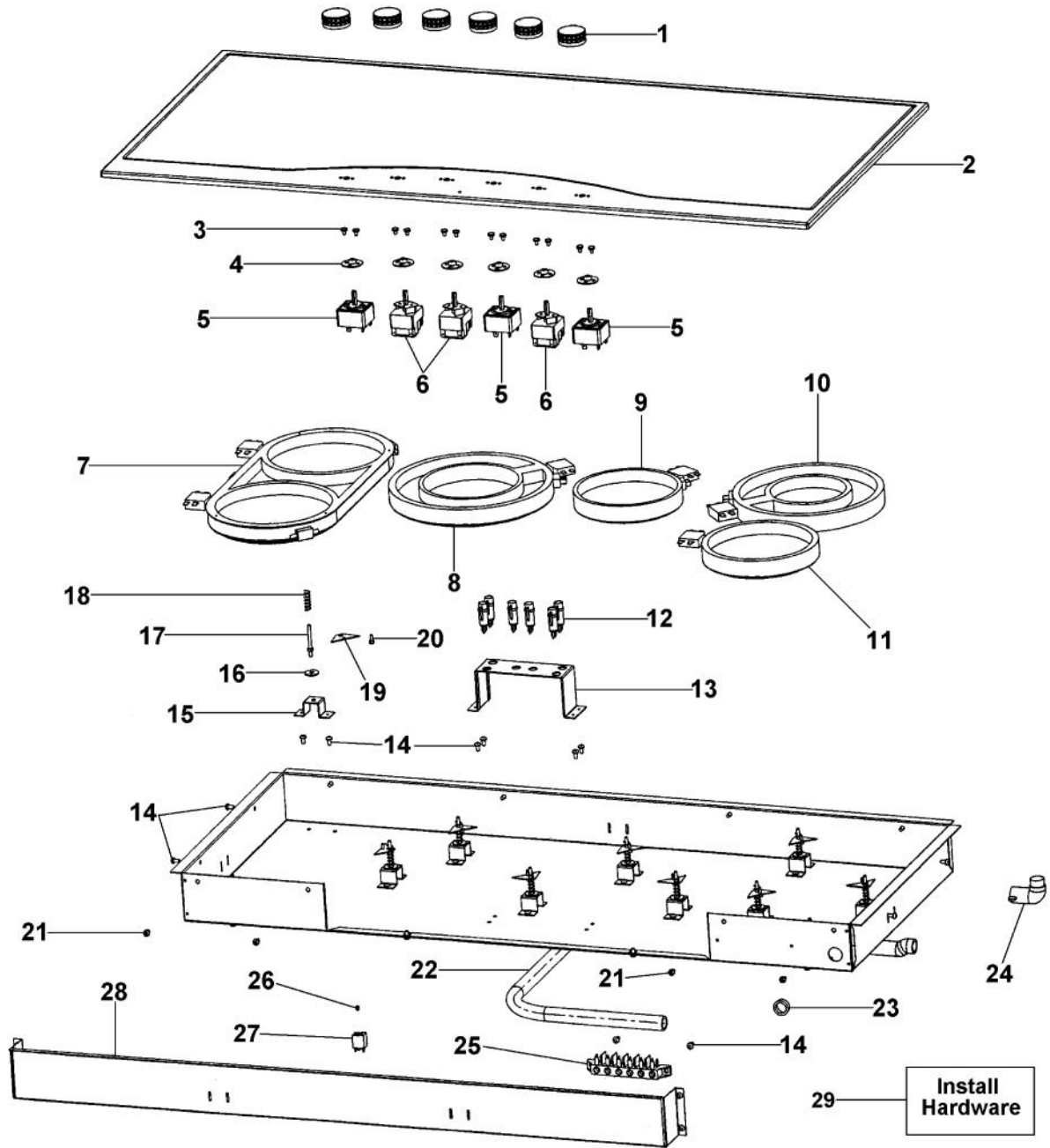
VIKING DECU155 Owner's Manual

[Shop genuine replacement parts for VIKING DECU155](#)

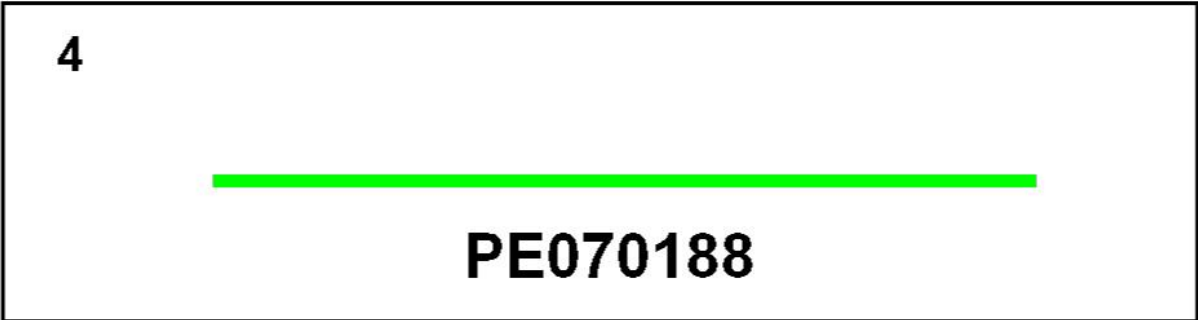
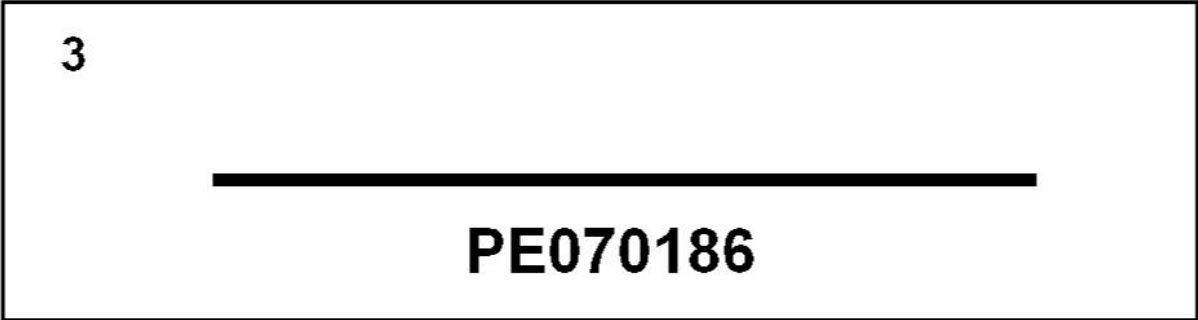
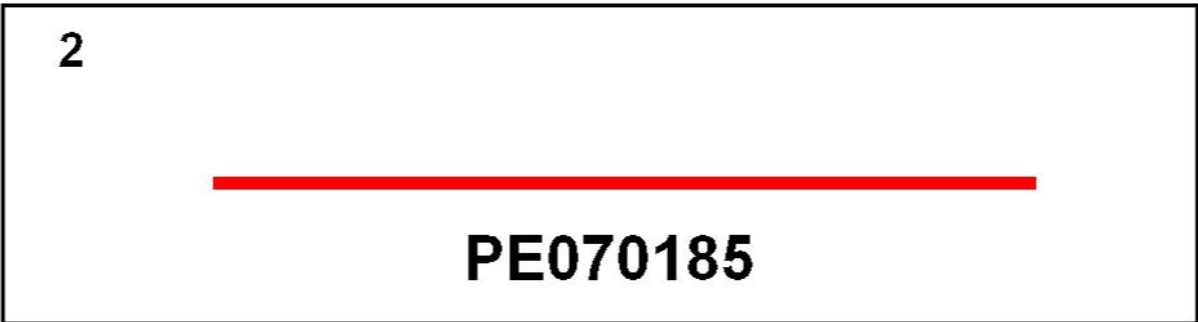
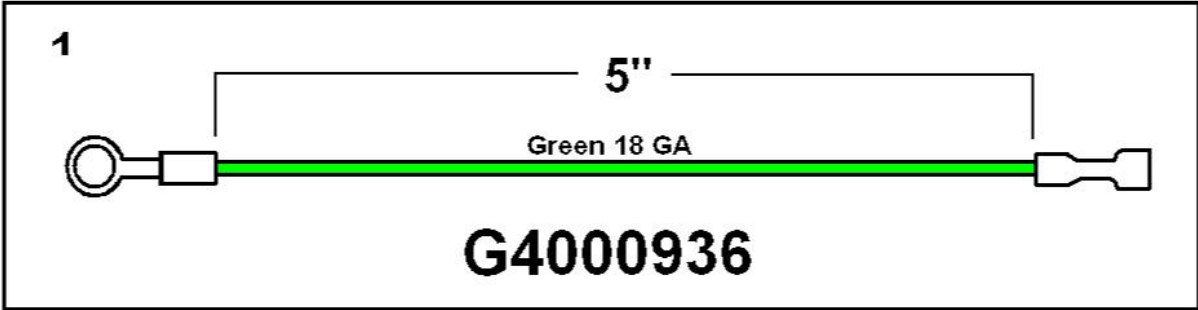


[Find Your VIKING Gas Range Parts - Select From 76 Models](#)

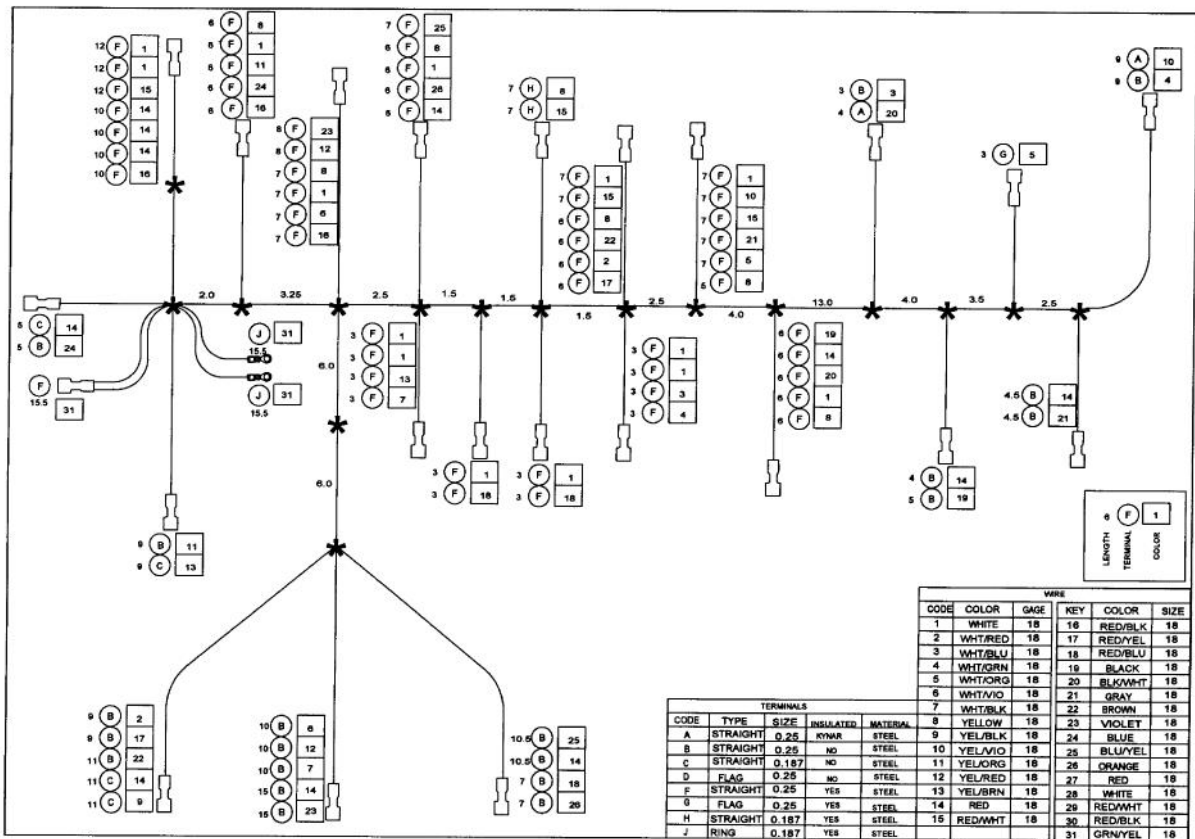
----- Manual continues below -----



Ref #	Part Number	Qty.	Description
1	PB010199		ELECTRIC DESIGNER COOKTOP KNOB (BK)
	PB010199PVD		ELECT. DESIGNER COOKTOP KNOB BRASS
	PB010213		ELECTRIC DESIGNER COOKTOP KNOB (WH)
	PB010213PVD		ELECT. DESIGNER COOKTOP KNOB BRASS
2	G5005741		DESIGNER TOP ASSY DECU155-6BSB
	G5005742		DESIGNER TOP ASSY DECU155-6BSW
3	PD020044		NO.8-32 X 1/4 PH. TR. HD. M.S.
4	PB070078		SILICONE GASKET (DESU)
5	PJ030019		INFINITE SWITCH
6	G50013539		PJ030028 INFINITE SWITCH SERVICE KIT
7	PJ020004		ELEMENT-(2)1800 X 800
8	PJ020005		2500 ELEMENT
9	PJ020006		1200 ELEMENT
10	PJ020002		ELEMENT 2200 (750)
11	PJ020003		ELEMENT
12	PE050113		DECU INDICATOR LIGHT (SP-2185-BDPS)
13	A2005727		DECU45 LIGHT BRACKET
14	PD020004		10X3/8PH.HD.TYPE 25 REPL PD040125
15	A2005715		GUIDE HAT BRACKET (DECU)
16	PD040054		ELEMENT STUD WASHER
17	PD010148		ELEMENT STUD
18	PC010006		GUIDE SPRING DESU
19	PM010494		CERAMASPEED BRACKET
20	PD020067		NO.6 X 3/8 PAN PHIL. TEK SS
21	PD020055		NO.10 X 1/2 PAN PHIL. TEK. SS
22	PB020071		CONDUIT - FLEXIBLE (48)
23	PD040005		SNAP BUSHING - 7/8
24	PB040070		CONDUIT FITTING (90 DEG)
25	PE070231		TERMINAL BLOCK - 6 POLE (HEYCO)
26	PE050080		JEMCO LENS
27	PE050079		LENS OPENING
28	A3005711		DECU/DGCU CONTROL PANEL COVER
29	A2005721		MOUNT BRACKET (DECU)
	PD030029		INSTALLATION HARDWARE - QTY. 5 SELF RETAINING NUT (1/4-20)
	PD010027		INSTALLATION HARDWARE - QTY. 5 EYE BOLT-VGSU101/161 INSTALLATION HARDWARE - QTY. 5



Ref #	Part Number	Qty.	Description
1	G4000936		GROUND WIRE
2	PE070185		RED WIRE (10 GA.SF-2 200DEG.C 600V
3	PE070186		BKX WIRE (10 GA.SF-2 200DEG.C600V
4	PE070188		GREEN WIRE (10 GA.SF-2 200DEG.C600V



Ref #	Part Number	Qty.	Description
1	PE070478		EDECU 150 WIRE HARNESS