

This Owner's Manual is provided and hosted by [Appliance Factory Parts](#).



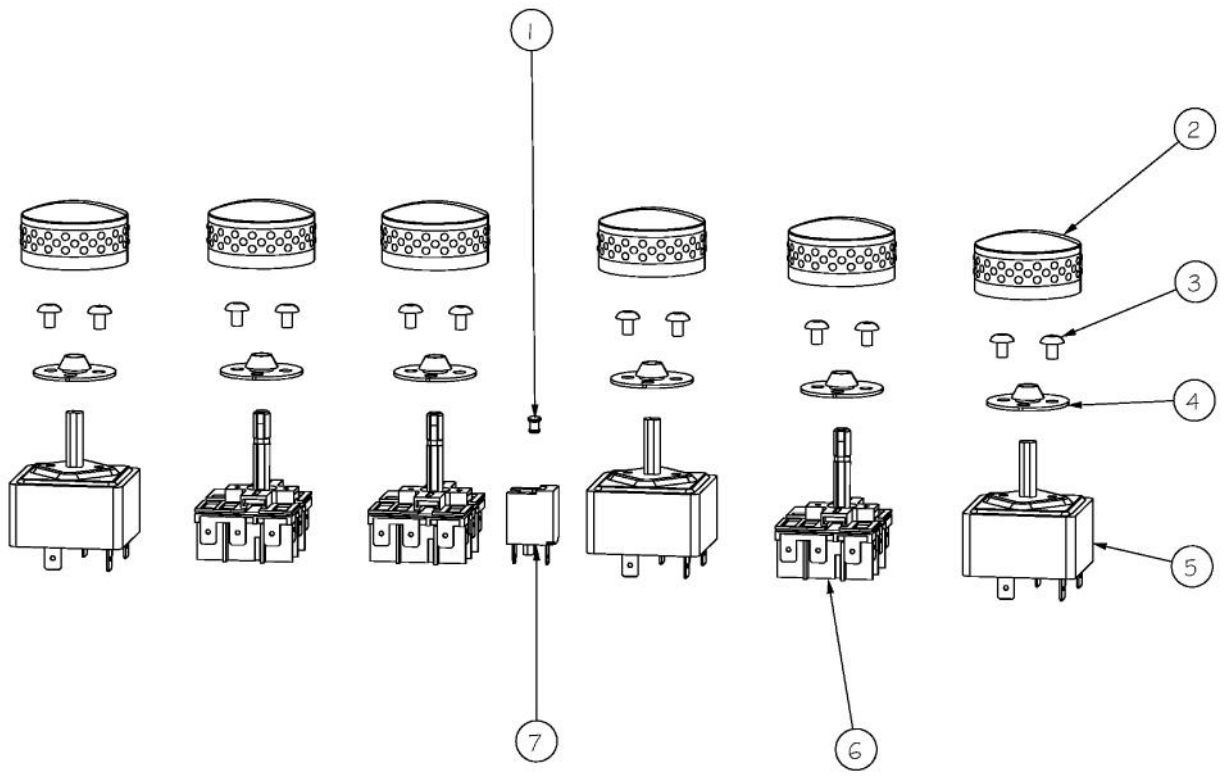
VIKING DECU155-6B Owner's Manual

[Shop genuine replacement parts for VIKING
DECU155-6B](#)

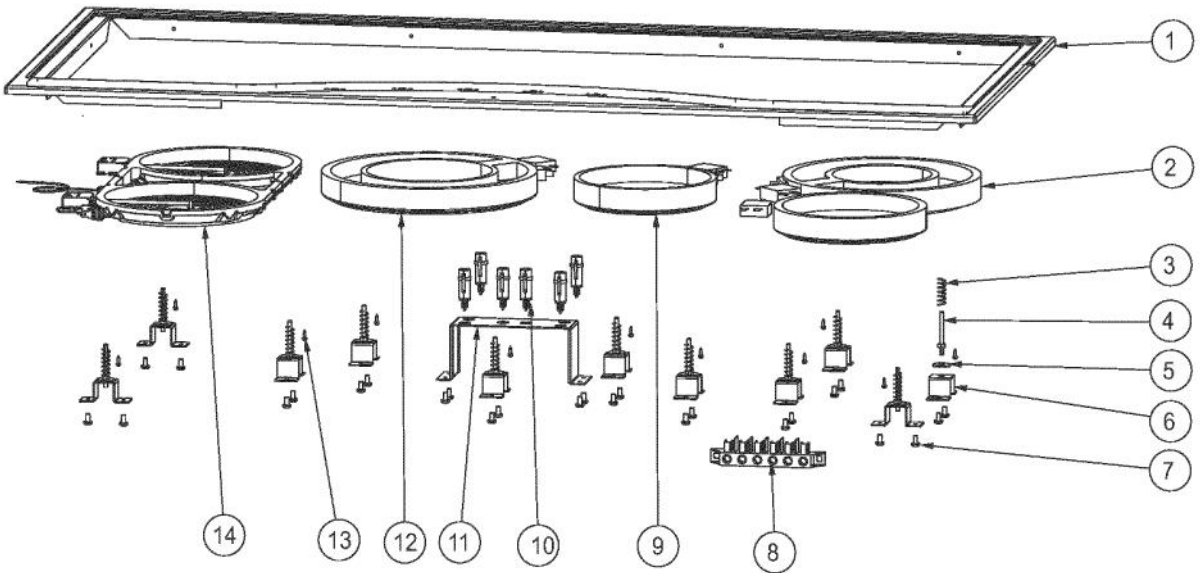


[Find Your VIKING Gas Range Parts - Select From 76 Models](#)

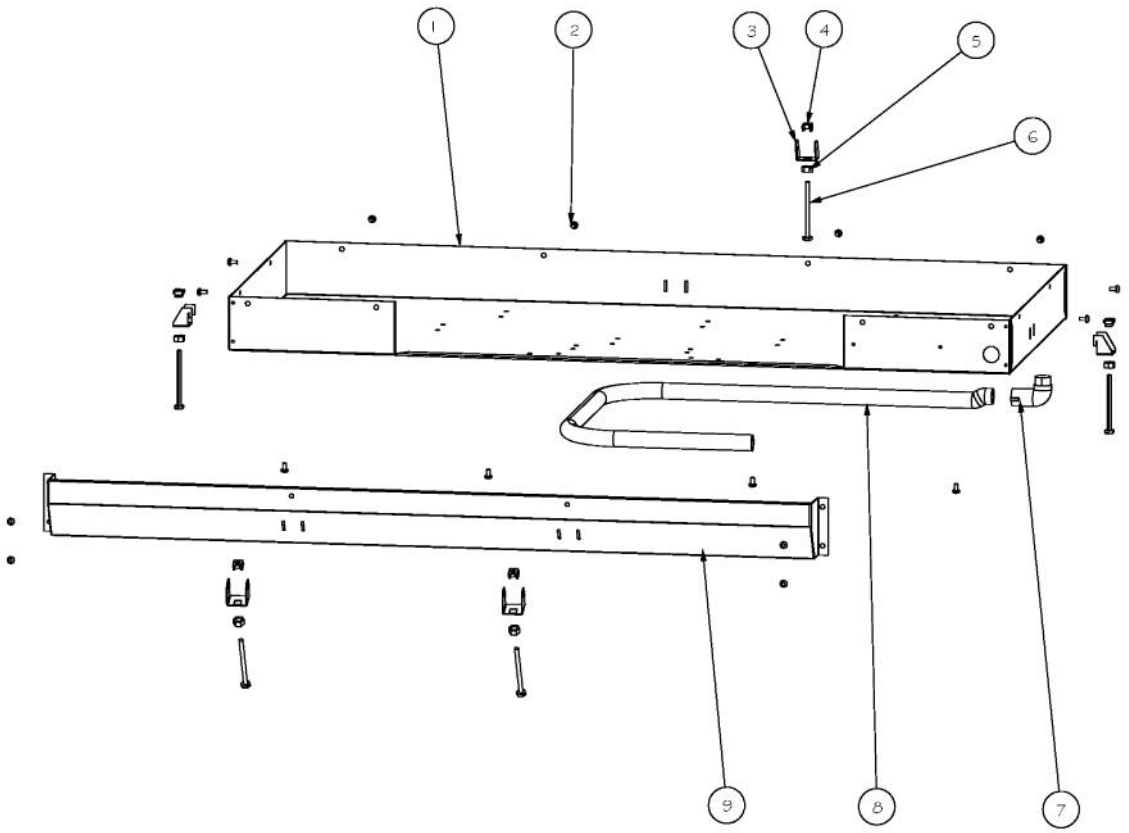
----- Manual continues below -----



Ref #	Part Number	Qty.	Description
1	PE050080	1	JEMCO LENS
2	PB010199	6	ELECTRIC DESIGNER COOKTOP KNOB (BK)
2	PB010213PVD	6	ELECT. DESIGNER COOKTOP KNOB BRASS
3	PD020044	12	NO.8-32 X 1/4 PH. TR. HD. M.S.
4	PB070078	6	SILICONE GASKET (DESU)
5	PJ030019	3	INFINITE SWITCH
6	G50013539	3	PJ030028 INFINITE SWITCH SERVICE KIT
7	PE050079	1	LENS OPENING



Ref #	Part Number	Qty.	Description
1	G5005741	1	DESIGNER TOP ASSY DECU155-6BSB
1	G5005742	1	DESIGNER TOP ASSY DECU155-6BSW
2	PJ020002	1	ELEMENT 2200 (750)
3	PC010006	11	GUIDE SPRING DESU
4	PD010148	11	ELEMENT STUD
5	PD040054	11	ELEMENT STUD WASHER
6	A2005715	11	GUIDE HAT BRACKET (DECU)
7	PD020004	26	10X3/8PH.HD.TYPE 25 REPL PD040125
8	PE070231	1	TERMINAL BLOCK - 6 POLE (HEYCO)
9	PJ020006	1	1200 ELEMENT
10	PE050113	6	DECU INDICATOR LIGHT (SP-2185-BDPS)
11	A2005727	1	DECU45 LIGHT BRACKET
12	PJ020005	1	2500 ELEMENT
13	PD020013	10	TYPE AB NO.6 X 3/8 PH PAN HD. SMS
14	PJ020004	1	ELEMENT-(2)1800 X 800



Ref #	Part Number	Qty.	Description
1	A2005709	1	BURNER BOX 45 (DECU)
2	PD020004	16	10X3/8PH.HD.TYPE 25 REPL PD040125
3	A2005721	5	MOUNT BRACKET (DECU)
4	PD030029	5	SELF RETAINING NUT (1/4-20)
5	PD030008	5	HEX NUT
6	PD020123	5	BOLT 1/4-20 X 3 HEX HD
7	PB040070	1	CONDUIT FITTING (90 DEG)
8	PB020071	1	CONDUIT - FLEXIBLE (48)
9	A2005799	1	DECU155 CONTROL COVER