

This Owner's Manual is provided and hosted by [Appliance Factory Parts](#).



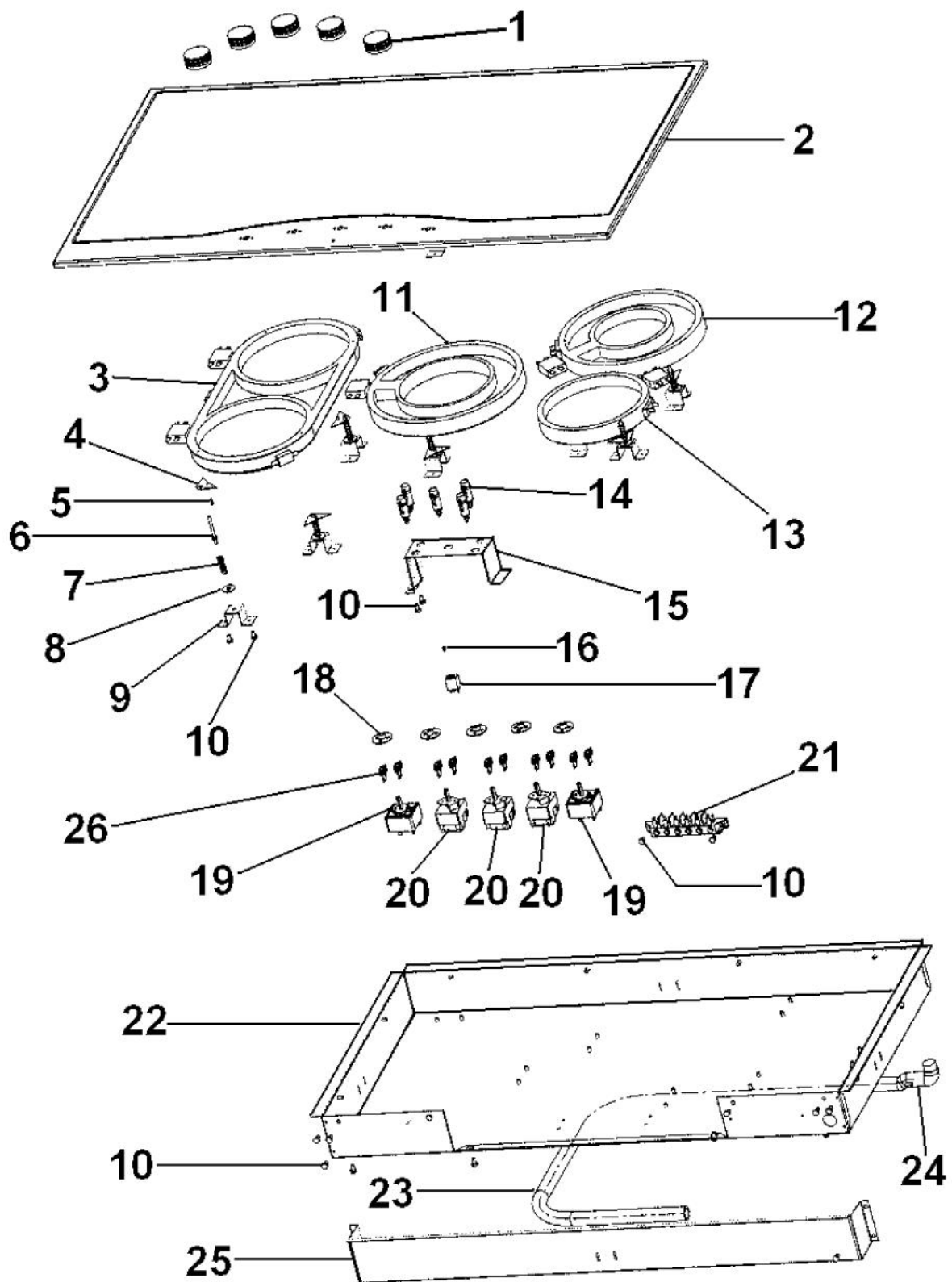
VIKING DECU165 Owner's Manual

[Shop genuine replacement parts for VIKING DECU165](#)



[Find Your VIKING Gas Range Parts - Select From 76 Models](#)

----- Manual continues below -----



Ref #	Part Number	Qty.	Description
1	PB010199 PB010199PVD PB010213 PB010213PVD		ELECTRIC DESIGNER COOKTOP KNOB (BK) ELECT. DESIGNER COOKTOP KNOB BRASS ELECTRIC DESIGNER COOKTOP KNOB (WH) ELECT. DESIGNER COOKTOP KNOB BRASS
2	G5005739 G5005740		DESIGNER TOP ASSY DECU165-5BSB DESIGNER TOP ASSY DECU165-5BSW
3	PJ020004		ELEMENT-(2)1800 X 800
4	PM010494		CERAMASPEED BRACKET
5	PD020013		TYPE AB NO.6 X 3/8 PH PAN HD. SMS
6	PD010048		BURNER GUIDE ASSEMBLY DESU
7	PC010006		GUIDE SPRING DESU
8	PD040054		ELEMENT STUD WASHER
9	A2005715		GUIDE HAT BRACKET (DECU)
10	PD020004		10X3/8PH.HD.TYPE 25 REPL PD040125
11	PJ020005		2500 ELEMENT
12	PJ020002		ELEMENT 2200 (750)
13	PJ020003		ELEMENT
14	PE050113		DECU INDICATOR LIGHT (SP-2185-BDPS)
15	A2005726		DECU36 LIGHT HOLDER
16	PE050080		JEMCO LENS
17	PE050079		LENS OPENING
18	PB070078		SILICONE GASKET (DESU)
19	PJ030019		INFINITE SWITCH
20	PJ030028		DUAL INFINITE SWITCH
21	PE070231		TERMINAL BLOCK - 6 POLE (HEYCO)
22	A2005708		BURNER BOX 36 (DECU)
23	PB020071		CONDUIT - FLEXIBLE (48)
24	PB040070		CONDUIT FITTING (90 DEG)
25	A3005710		36 CS CONTROL PANEL COVER
26	PD020044		NO.8-32 X 1/4 PH. TR. HD. M.S.