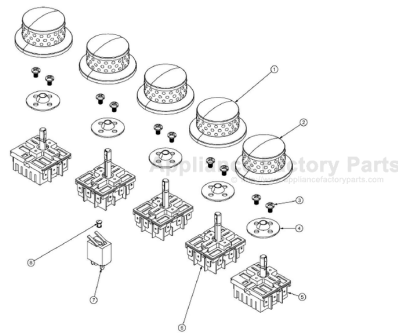


This Owner's Manual is provided and hosted by [Appliance Factory Parts](#).



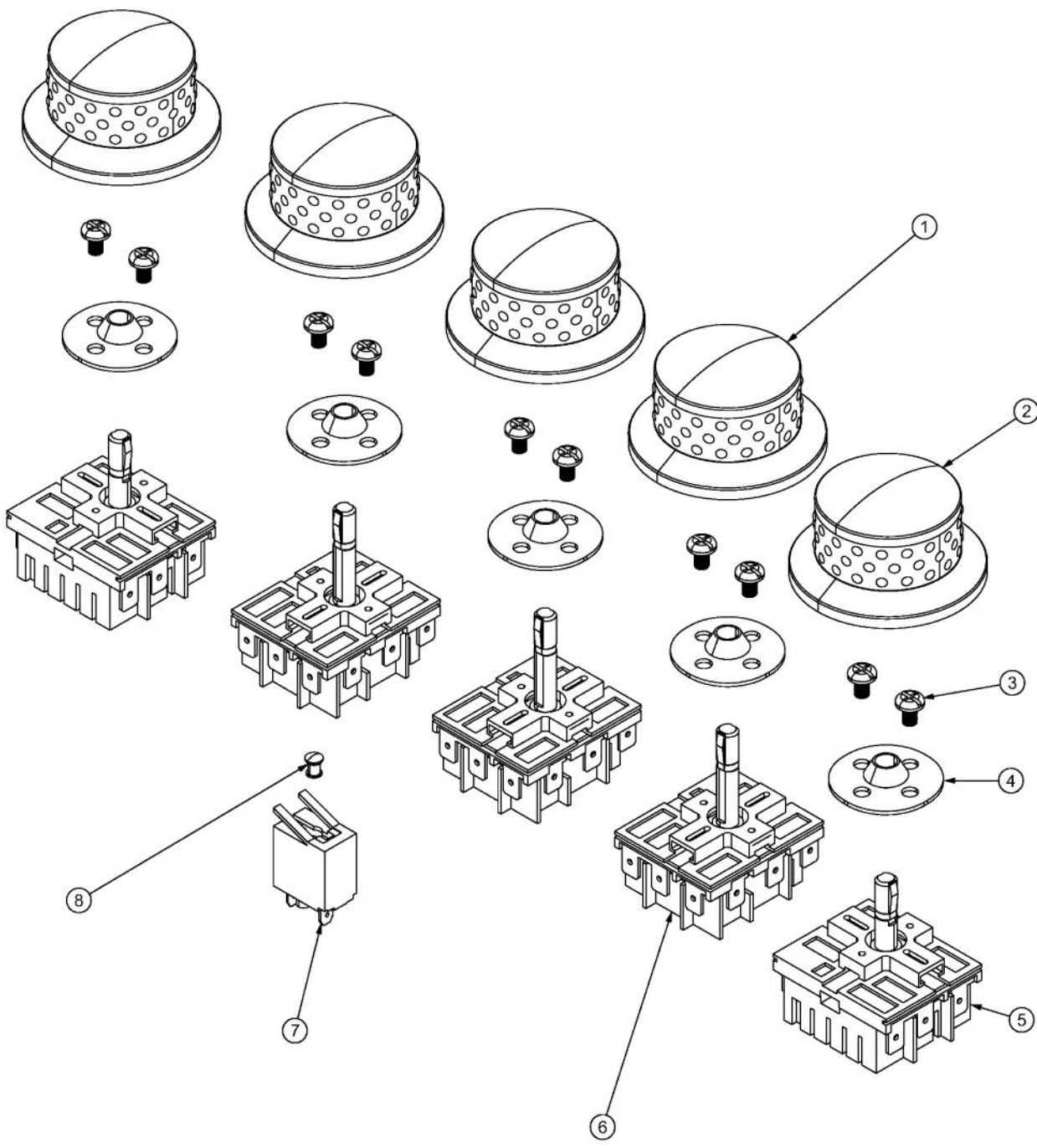
VIKING DECU166-5B Owner's Manual

**[Shop genuine replacement parts for VIKING
DECU166-5B](#)**

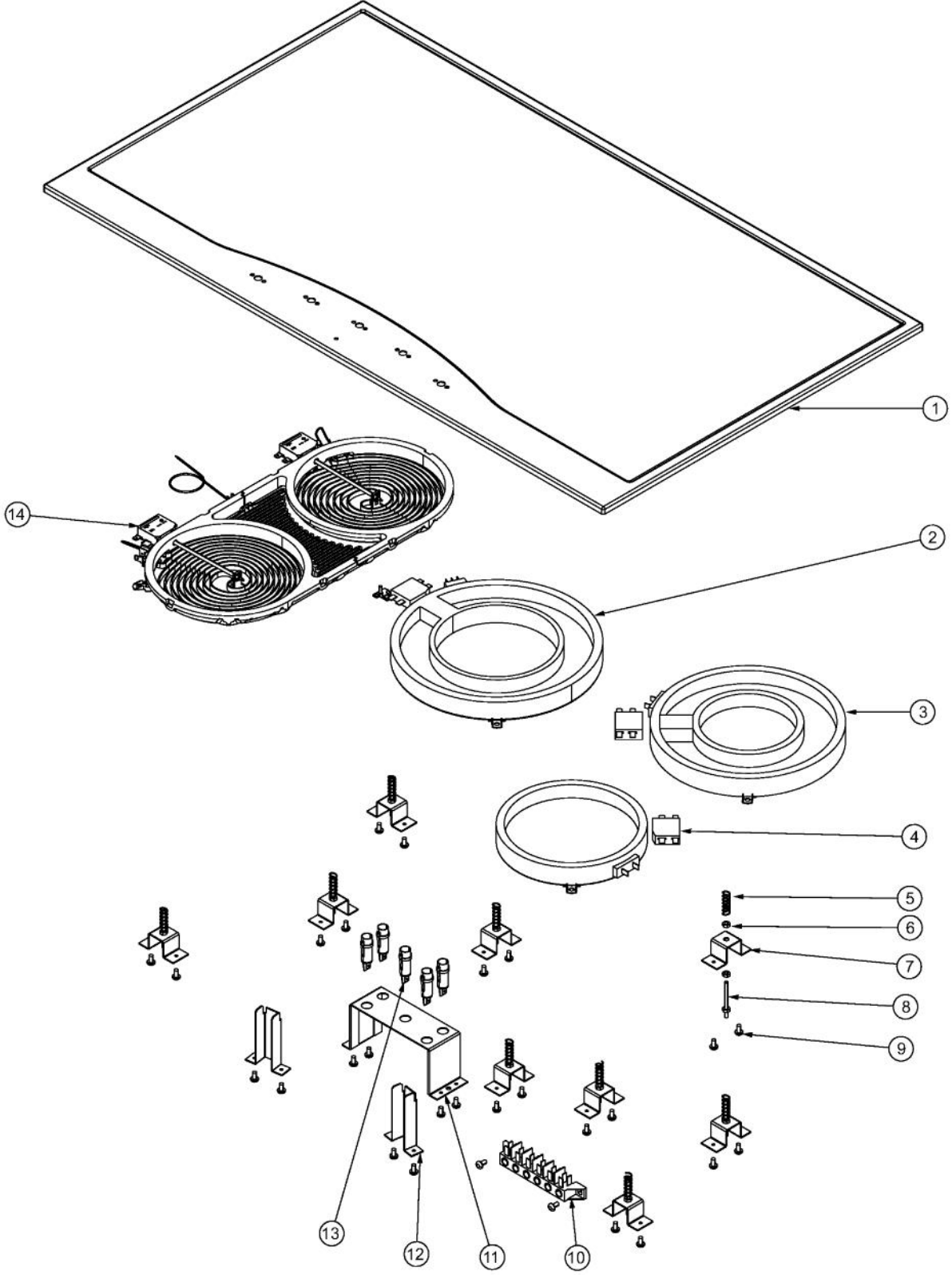


[Find Your VIKING Gas Range Parts - Select From 76 Models](#)

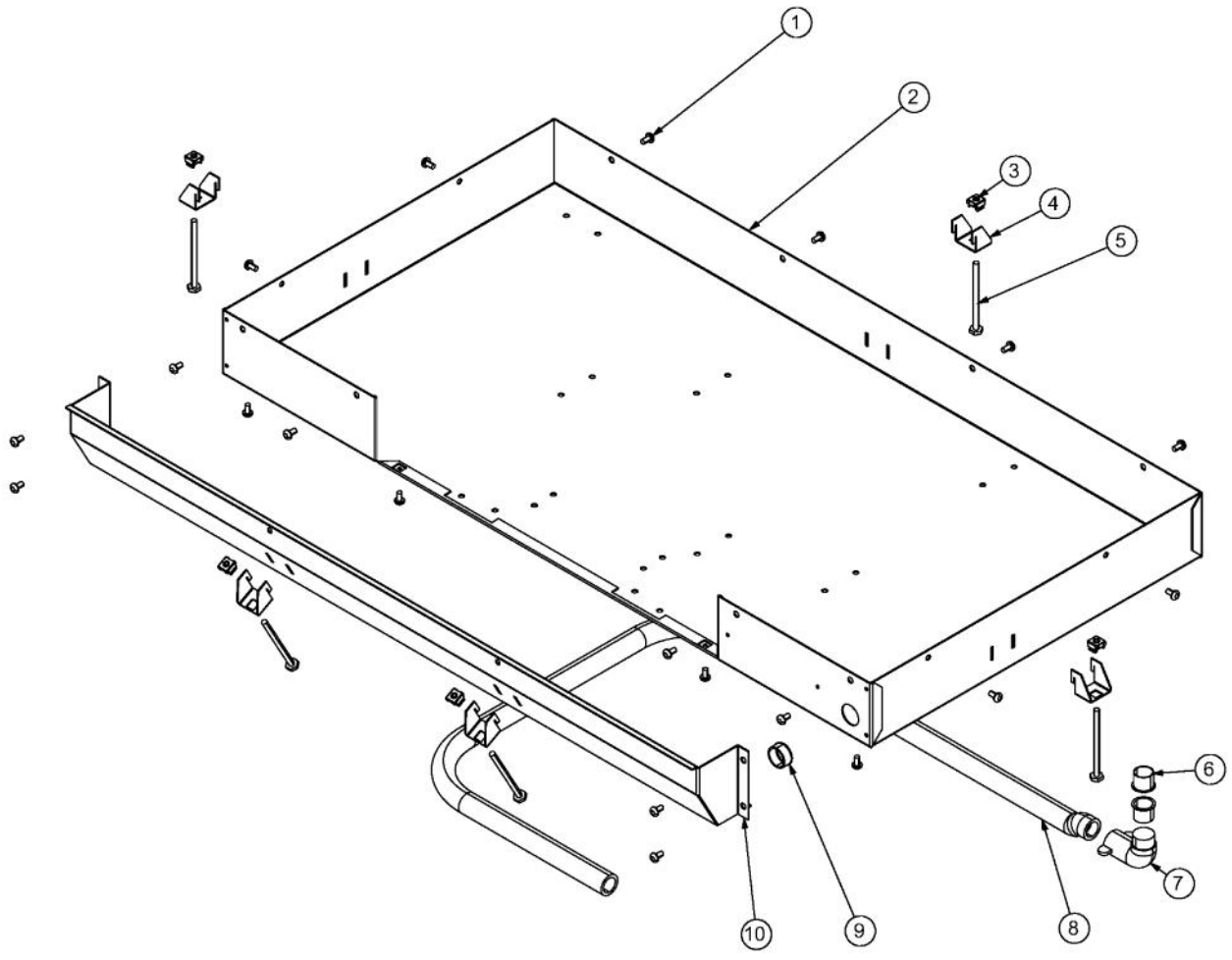
----- Manual continues below -----



Ref #	Part Number	Qty.	Description
1	014559-000	3	KNOB, BLACK, SLEEVE, DESG COOKTOP
NI	014560-000	3	KNOB, GRAY SLEEVE, DE COOKTOP
2	013957-000	2	KNOB, ASM, DESG COOKTOP
NI	013959-000	2	KNOB, ASM, GRAY, DOUBLE D INSERT, COOKTOP
3	PD020269	10	NO.8 PAN HEAD SCREW
4	PB070078	5	SILICONE GASKET (DESU)
5	PJ030049	2	DOUBLE INFINITE SWITCH
6	PJ030028	3	DUAL INFINITE SWITCH
7	017582-000	1	LIGHT HOUSING, BLUE NEON
8	017579-000	1	LENS, BLUE



Ref #	Part Number	Qty.	Description
1	017277-000	1	TOP, BK -GLASS ASM, 36
NI	019809-000	1	WH TOP, ASM, 36
2	PJ020005	1	2500 ELEMENT
3	PJ020002	1	ELEMENT 2200 (750)
4	PJ020003	1	ELEMENT
5	PC010006	9	GUIDE SPRING DESU
6	PD040056	18	ELEMENT STUD NUT
7	A2005715	9	GUIDE HAT BRACKET (DECU)
8	PD010148	9	ELEMENT STUD
9	PD020004	28	10X3/8PH.HD.TYPE 25 REPL PD040125
10	PE070231	1	TERMINAL BLOCK - 6 POLE (HEYCO)
11	A2005726	1	DECU36 LIGHT HOLDER
12	000630-000	2	DECU SUPPORT BRACKET
13	PE050113	5	DECU INDICATOR LIGHT (SP-2185-BDPS)
14	PJ020004	1	ELEMENT-(2)1800 X 800



Ref #	Part Number	Qty.	Description
1	PD020004	20	10X3/8PH.HD.TYPE 25 REPL PD040125
2	A2005708	1	BURNER BOX 36 (DECU)
3	PD030029	5	SELF RETAINING NUT (1/4-20)
4	A2005721	5	MOUNT BRACKET (DECU)
5	PD020123	5	BOLT 1/4-20 X 3 HEX HD
6	PD040034	2	CONDUIT GROMMET (1/2)
7	PB040070	1	CONDUIT FITTING (90 DEG)
8	PB020071	1	CONDUIT - FLEXIBLE (48)
9	PD040005	1	SNAP BUSHING - 7/8
10	A2005798	1	DECU165 CONTROL COVER