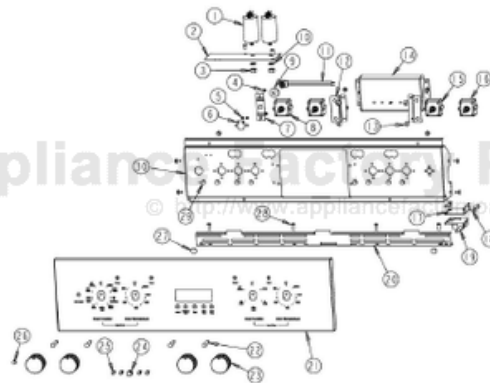


This Owner's Manual is provided and hosted by [Appliance Factory Parts](#).



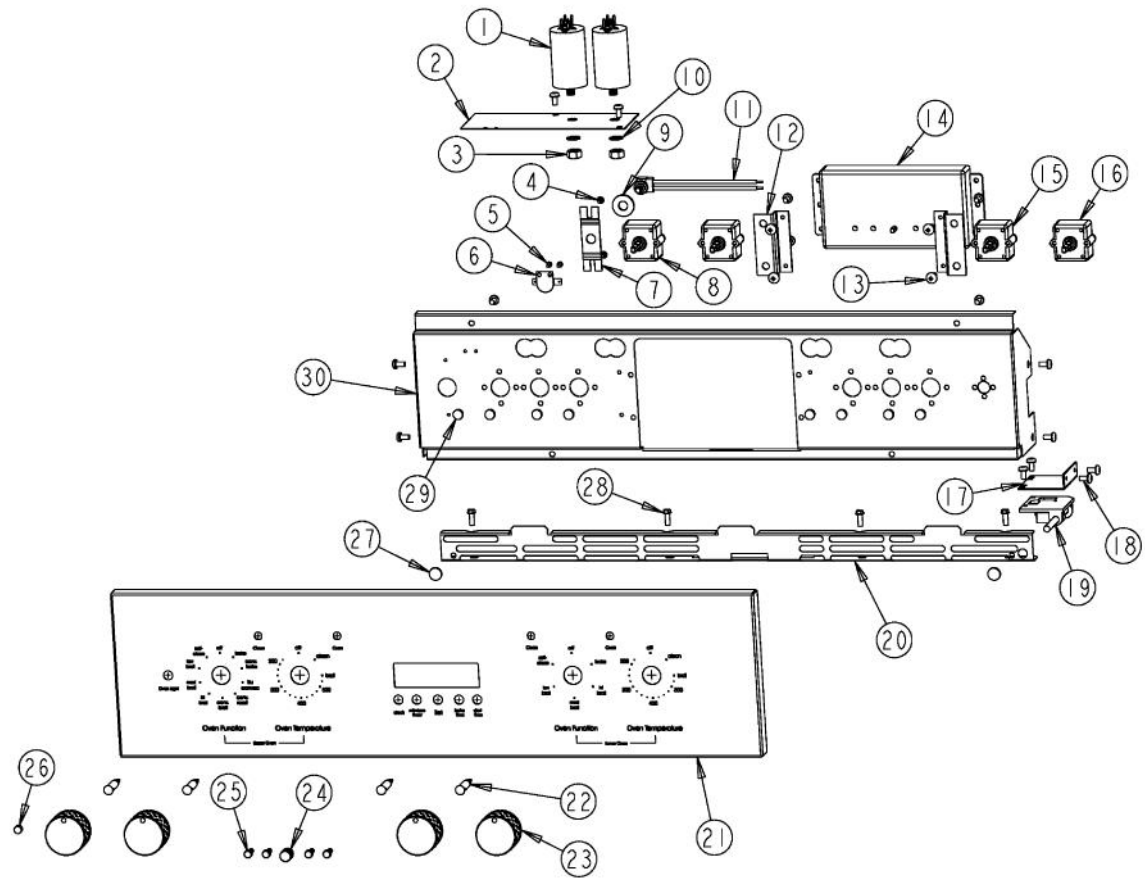
VIKING DEDO127 Owner's Manual

[Shop genuine replacement parts for VIKING DEDO127](#)

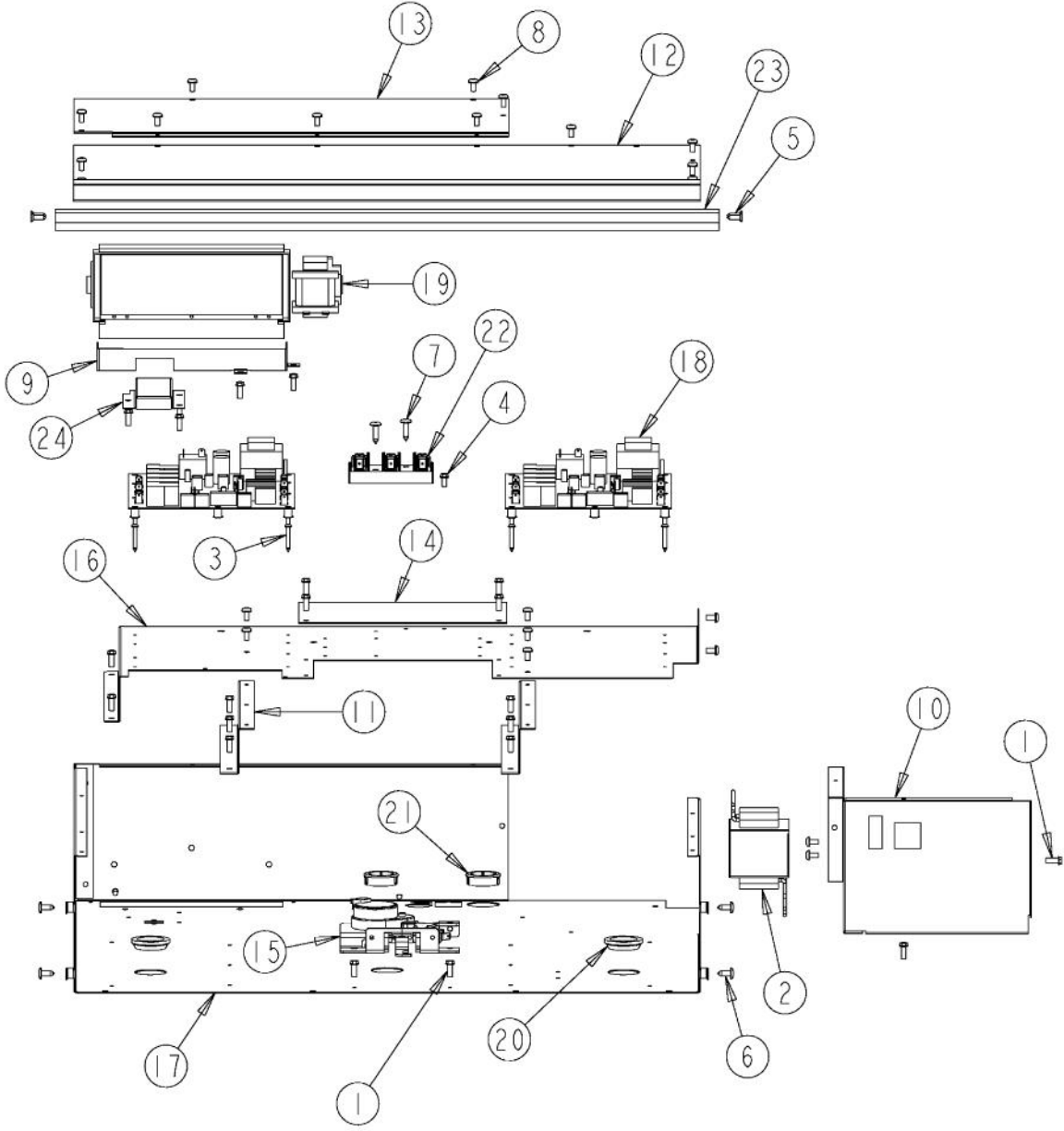


[Find Your VIKING Oven Parts - Select From 98 Models](#)

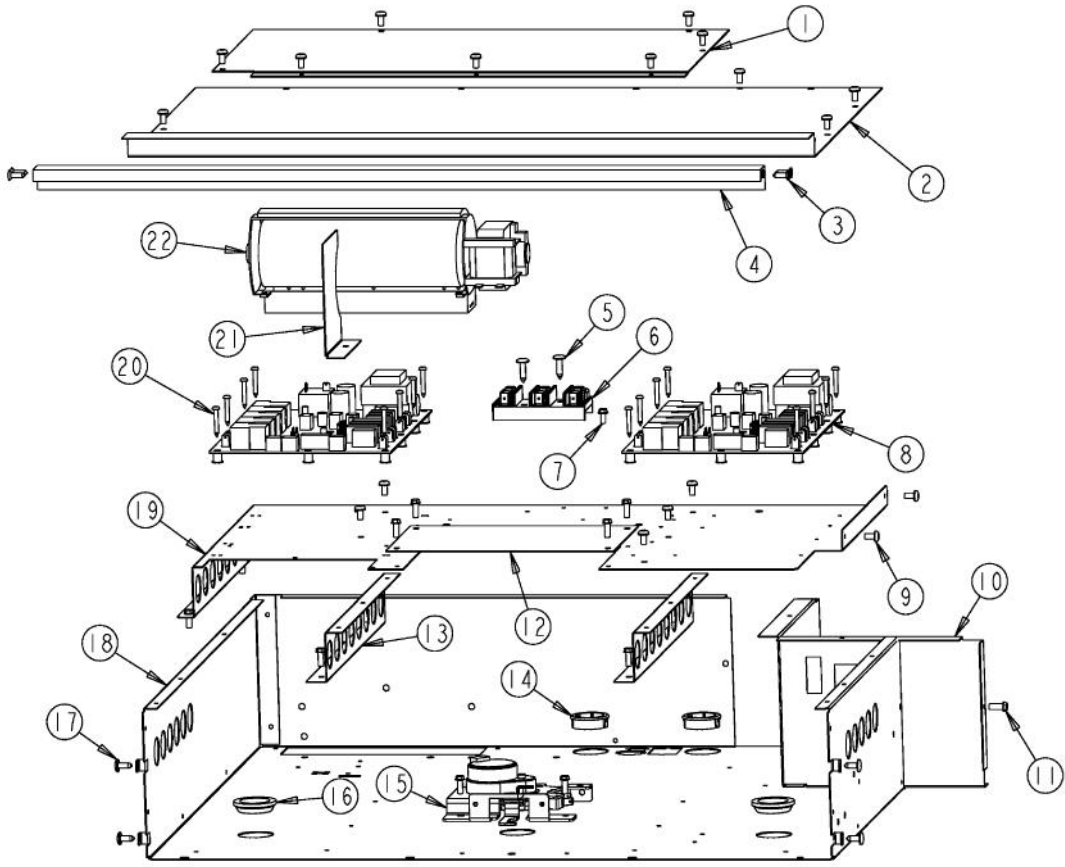
----- Manual continues below -----



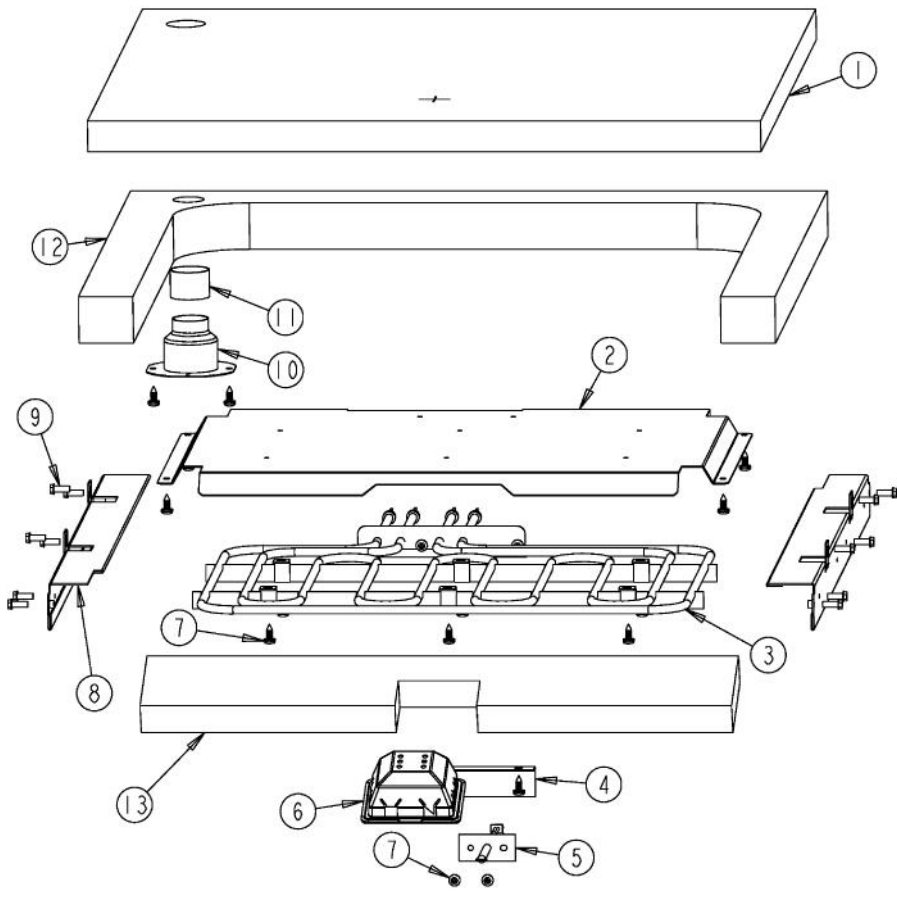
Ref #	Part Number	Qty.	Description
1	PE050247		EBM FAN MOTOR CAPACITOR
2	A10014028		2 CAPACITOR BRACKET
3	PD030172		M8 X 1.25MM NUT
4	PD020006		NO.6-32 X 1/4 PH.PAN HD. T(F)
5	PD020013		TYPE AB NO.6 X 3/8 PH PAN HD. SMS
6	G50015486		DESIGNER LIMIT SWITCH KIT (BEFORE 07-24-06)
NI	PJ030043		BI-METAL THERMOSTAT (N.C.) 180 DEGREES (AFTER 07-24-06)
7	A10014045		LIGHT SWITCH BRACKET
8	PJ030033		SELECTOR (10 POS)
9	PD040160		3/8 STEEL WASHER
10	PD040164		5/16 INTERNAL TOOTH LOCK WASHER TYPE A
11	PE050076		DESIGNER OVEN LIGHT SWITCH
12	A20012638		CLOCK BRACKET
13	PD010003		10-24 X 1/2 PH.TR.HD.SERD.M.S.
14	PE050214		CLOCK (DIGITAL 230V 50/60HZ)
15	PJ030034		SELECTOR (6 POS)
16	PJ030035		THERMOSTAT
17	A20012649		DOOR SWITCH BRACKET
18	PD020004		10X3/8PH.HD.TYPE 25 REPL PD040125
19	PE050208		DOOR SWITCH
20	C90014073BK		27 INLET GRILL
21	B92012629		27 PREM. DOUBLE CONTROL PNL.
21	C92012629BK		27 PREM. DOUBLE CONTROL PNL. XBKX
21	C92012629BT		27 PREM. DOUBLE CONTROL PNL. XBTX
21	C92012629GG		27 PREM. DOUBLE CONTROL PNL. XGGX
21	C92012629SG		27 PREM. DOUBLE CONTROL PNL. XSGX
21	C92012629WH		27 PREM. DOUBLE CONTROL PNL. XWHX
22	PE050078		VECU POWER LIGHT
23	PA010194		DES. SELECTOR/THERMOSTAT KNOB
23	PA010194PVD		DES. SELECTOR/THERMOSTAT KNOB-BRASS
23	PA010195		DES. SELECTOR/THERMOSTAT KNOB - GREY
23	PA010195PVD		SELECTOR / THERMOSTAT KNOB - WH / BR
24	PB010314		TEST DESIGNER BIT GENERATOR KNOB
24	PB010314PVD		TEST DESIGNER BIT GENERATOR KNOB-BRASS
25	PB010315		DES. CLOCK BUTTON
26	PA010093		DESIGNER OVEN LT SWITCH KNOB
26	PA010093PVD		DESIGNER OVEN LT SWITCH KNOB-BRASS
27	PD040004		GROMMET BUMPER
28	PD020060		10 X 1/2 (5/16)HEX WSHER HD.(T)A
29	PD020052		NO.6 X 1/2 PHILLIPS HEAD SMS (VERT/SC
30	A20012636		27 CONTROL MTG. PANEL



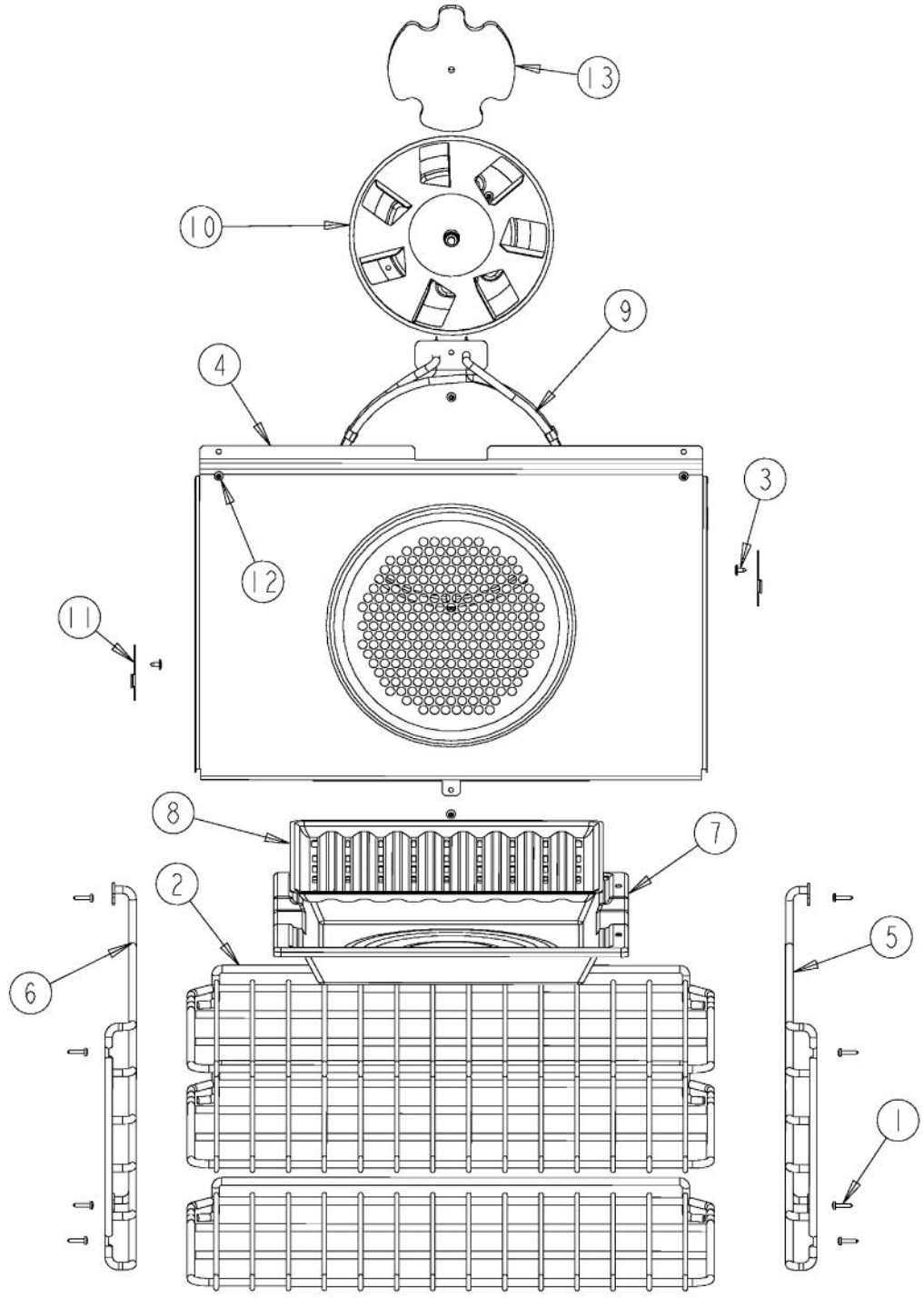
Ref #	Part Number	Qty.	Description
1	PD020060		10 X 1/2 (5/16)HEX WSHR HD.(T)A
2	PE070634		HALOGEN LIGHT TRANSFORMER
3	PD020185		NO.6 X 1 PAN HEAD SCREW
4	PD020010		10 X 3/8 GREEN GROUNDING SCREW
5	PD020231		NO.8 X 1/2 PH FLAT HEAD TEK SCREW (BLACK OXIDE)
6	PD020002		10 X 1/2 PH.TR.HD.SMS.
7	PD020014		10X3/4 PH TR HD SMS
8	PD020004		10X3/8PH.HD.TYPE 25 REPL PD040125
9	A20014035		27 BLOWER BRACKET
10	A20010934		BRACKET, MODULE PAN
11	A20010910		BRACKET, SUPPORT, ELECTRONICS HAT
12	A20014046		27 FRONT COVER
13	A20014047		27 REAR COVER
14	A10010911		COVER, LATCH
15	PE050210		DOOR LATCH
16	A20010935		ELECTRONICS HAT
17	A20010933		MODULE PAN 27
18	PE070631		CONTROL BOARD
19	PE050228		PREMIUM BLOWER
20	PB070079		SILICONE EXTRUSION (DGSU)
21	PD040152		SNAP BUSHING
22	PE070147		TERMINAL BLOCK
23	PE040279		27 DES. TOP TRIM
24	A20014033		UPPER VENT COVER



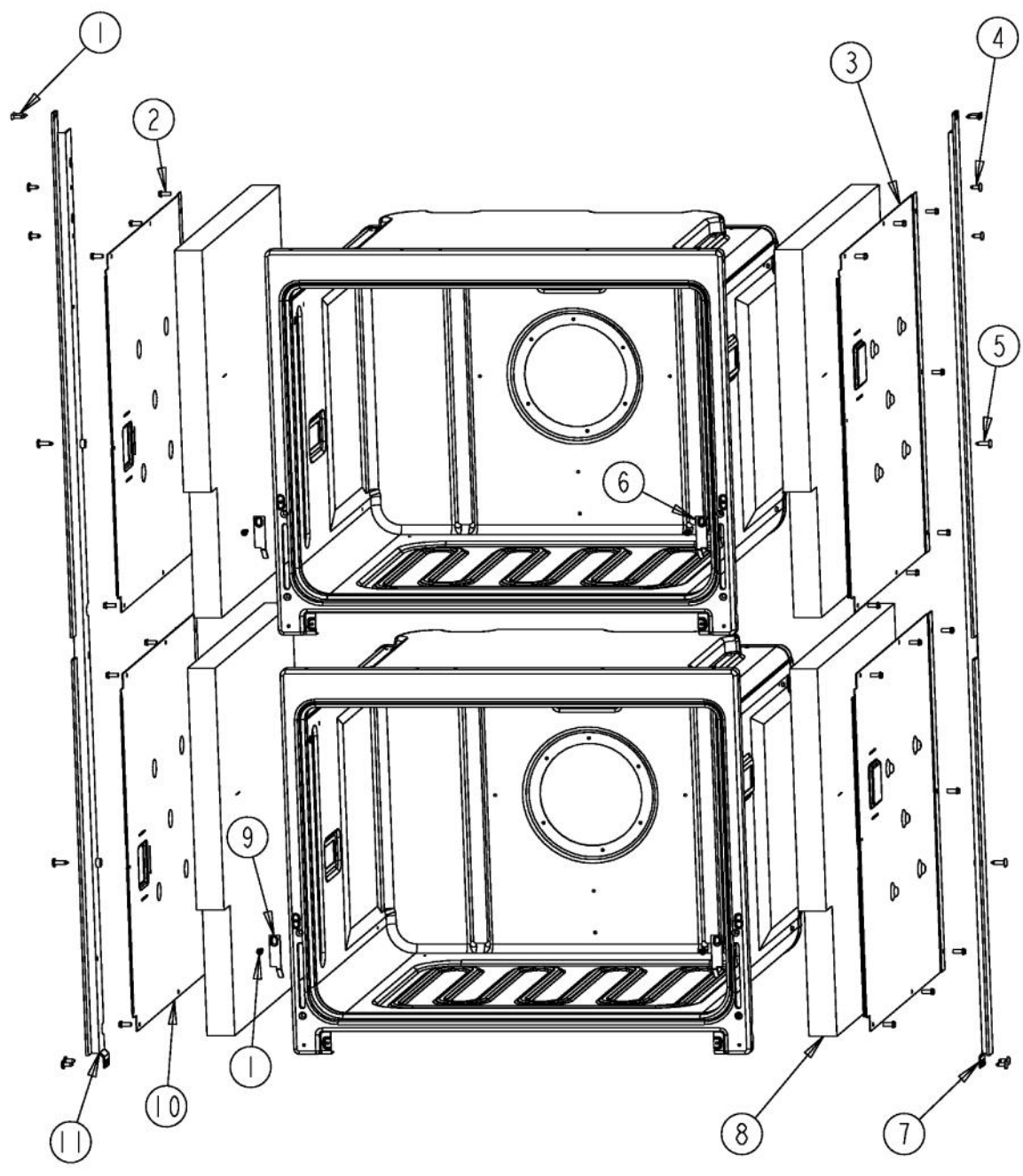
Ref #	Part Number	Qty.	Description
1	A20014047		27 REAR COVER
2	A20014046		27 FRONT COVER
3	PD020231		NO.8 X 1/2 PH FLAT HEAD TEK SCREW (BLACK OXIDE)
4	PE040279		27 DES. TOP TRIM
5	PD020014		10X3/4 PH TR HD SMS
6	PE070147		TERMINAL BLOCK
7	PD020010		10 X 3/8 GREEN GROUNDING SCREW
8	PE070631		CONTROL BOARD
9	PD020004		10X3/8PH.HD.TYPE 25 REPL PD040125
10	A20010934		BRACKET, MODULE PAN
11	PD020060		10 X 1/2 (5/16)HEX WSHR HD.(T)A
12	A10010911		COVER, LATCH
13	A20010910		BRACKET, SUPPORT, ELECTRONICS HAT
14	PD040152		SNAP BUSHING
15	PE050210		DOOR LATCH
16	PB070079		SILICONE EXTRUSION (DGSU)
17	PD020002		10 X 1/2 PH.TR.HD.SMS.
18	A20010933		MODULE PAN 27
19	A20010935		ELECTRONICS HAT
20	PD020185		NO.6 X 1 PAN HEAD SCREW
21	A2009667		REAR AIR DIVIDER
22	PE050228		PREMIUM BLOWER



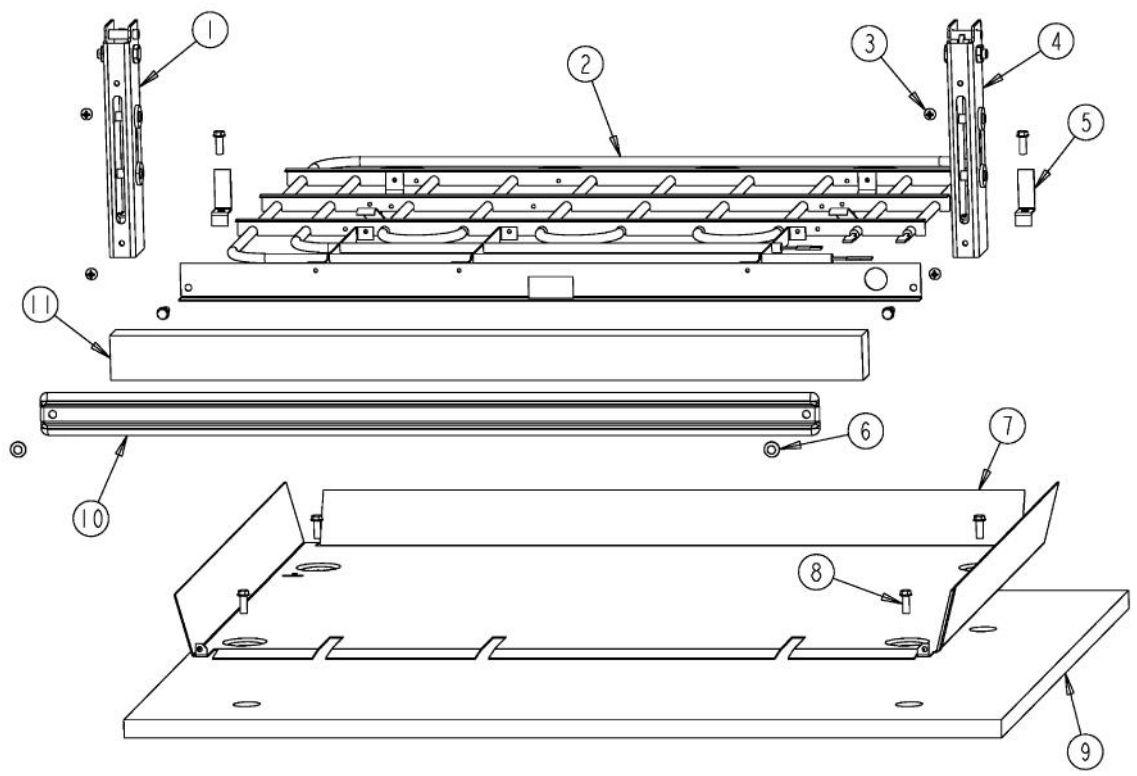
Ref #	Part Number	Qty.	Description
1	PB070307		27 TOP INSULATION
2	A20014021		REFLECTOR, BROIL
3	PJ010049		BROIL ELEMENT
4	A20014044		BROIL ELEMENT SHIELD
5	PE050206		RTD THERMOSTAT PROBE
6	PE050205		TOP HALOGEN LIGHT (BEFORE C-0396)
NI	PE050239		HALOGEN LAMP (AFTER C-0396)
7	PD020055		NO.10 X 1/2 PAN PHIL. TEK. SS
8	A2009641		BRKT, TOP WRAPPER
9	PD020060		10 X 1/2 (5/16)HEX WSHER HD.(T)A
10	PM010014		SMOKE ELIMINATOR (VDSC)
11	PB020275		VENT TUBE
12	PB070306		27 TOP BROIL INSULATION
13	PB070337		LINER FRONT INSULATION



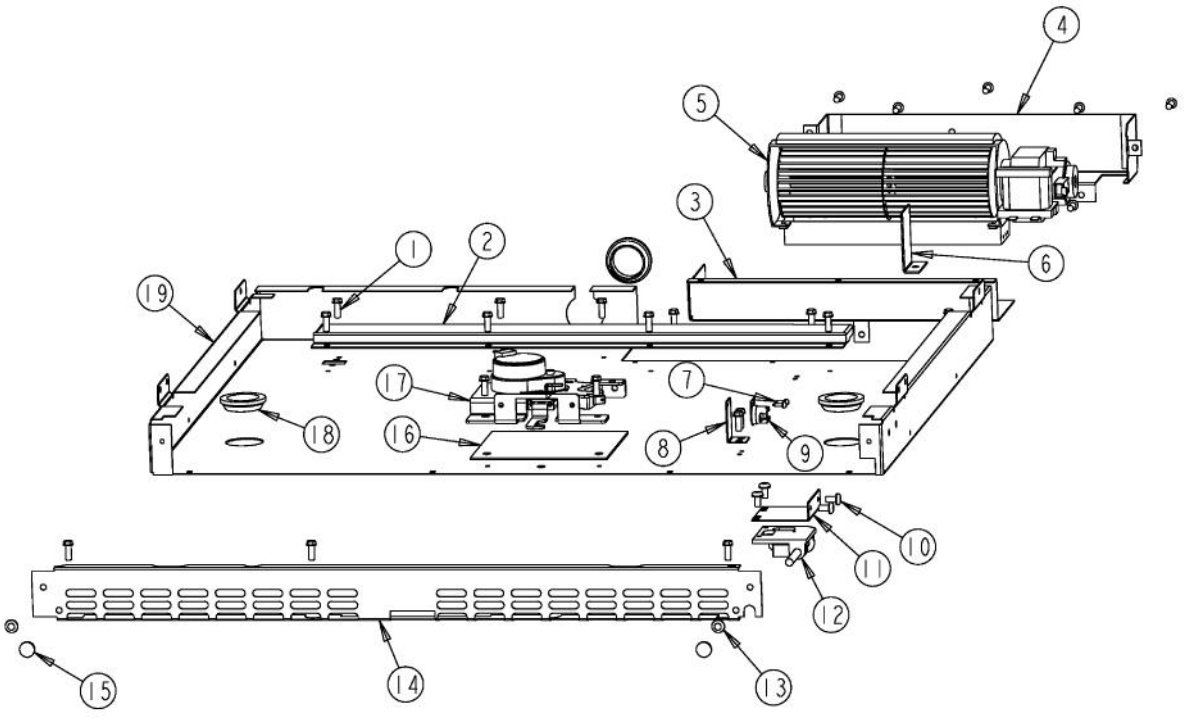
Ref #	Part Number	Qty.	Description
1	PB070312		CONVECTION MOTOR MTG. PLATE INSULATION
2	G32014020		CONVECTION FAN ASSY
3	PD020060		10 X 1/2 (5/16)HEX WSHER HD.(T)A
4	PB060103		RACK SUPPORT RH
5	E9107934		BROILER PAN INSERT
6	E9107933		BROILER PAN
7	PB060105		27 OVEN RACK
8	PB060104		RACK SUPPORT LH
9	PD020232		NO.8 X 3/4 PH PAN HEAD TEK SCREW (BLACK OXIDE)
10	PD020055		NO.10 X 1/2 PAN PHIL. TEK. SS
11	G91013597		27 BAFFLE ASSEMBLY
12	PJ010047		CONVECTION ELEMENT



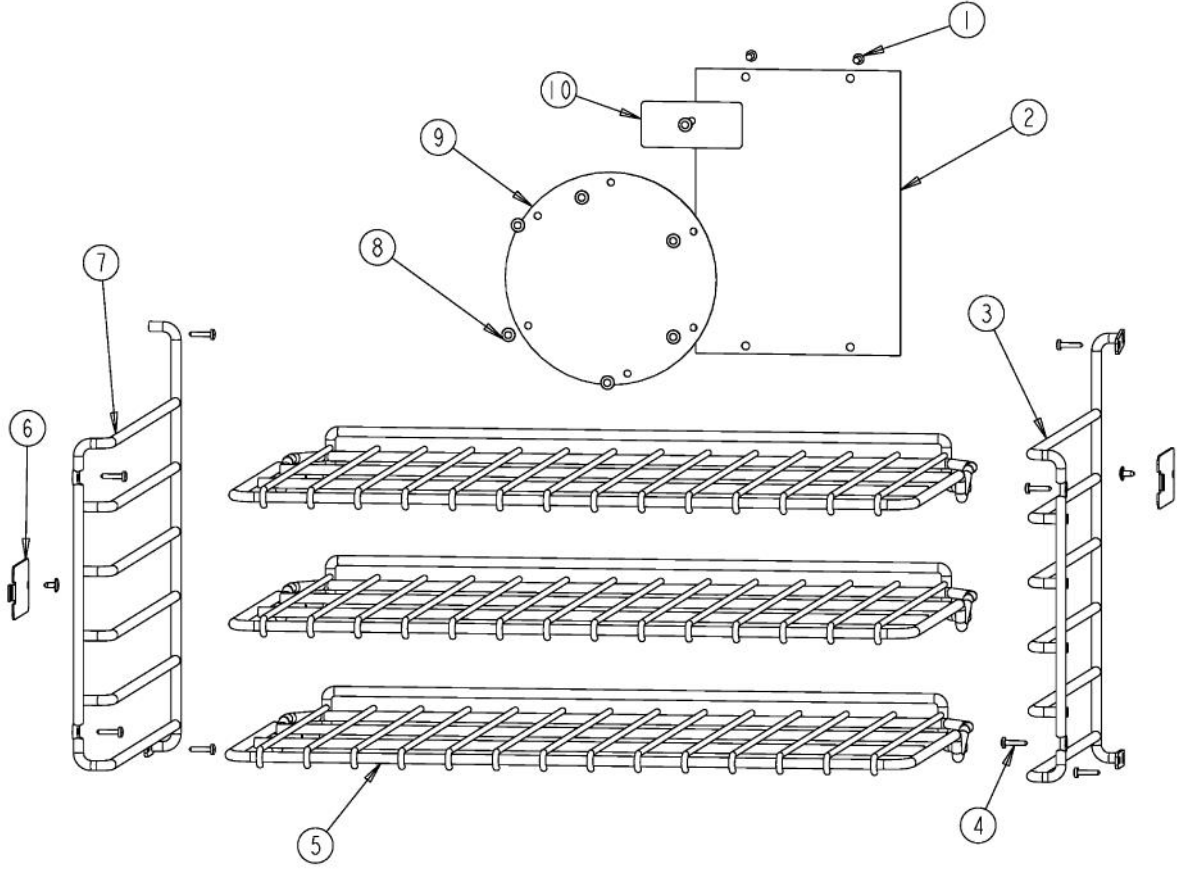
Ref #	Part Number	Qty.	Description
1	PD020061		NO.8 X 3/4 FLAT HD TEK. SS.
2	PD020060		10 X 1/2 (5/16)HEX WSHER HD.(T)A
3	A2009622		BRKT, TOP WRAPPER, RIGHT
4	PD020002		10 X 1/2 PH.TR.HD.SMS.
5	PD020014		10X3/4 PH TR HD SMS
6	B21010915		HINGE CLIP ? RH
7	PE040283		DES. DOUBLE SIDE TRIM RH
8	PB070302		SIDE INSULATION
9	B21010916		HINGE CLIP ? LH
10	A20012650		BRKT, TOP WRAPPER LEFT
11	PE040284		DES. DOUBLE SIDE TRIM LH



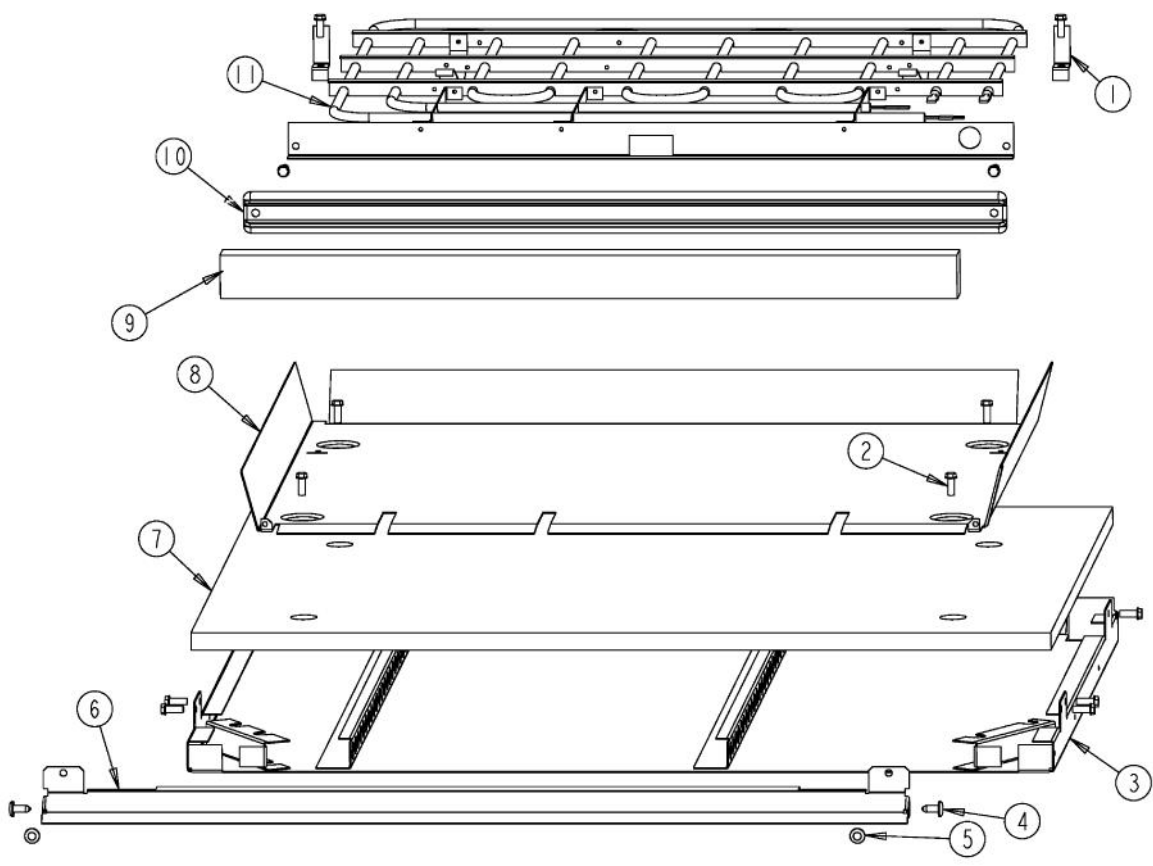
Ref #	Part Number	Qty.	Description
1	PC020247		HINGE POCKET RECEIVER MANSFIELD LH
2	PJ010048		BAKE ELEMENT
3	PD020062		NO.8-32 X 3/8 PHMS TYPE 1
4	PC020221		HINGE POCKET RECEIVER MANSFIELD RH
5	A2009696		HOLDER, BAKE ELEMENT
6	PD020063		SCREW-NO.8(A) X 3/8PH WFR HD/BK OXID
7	A20010932		ELEMENT, MTG TRAY
8	PD020060		10 X 1/2 (5/16)HEX WSHR HD.(T)A
9	PB070300		27 BOTTOM INSULATION
10	E9109655		BAKE TRAY COVER
11	PB070309		BAKE ELEMENT INSULATION



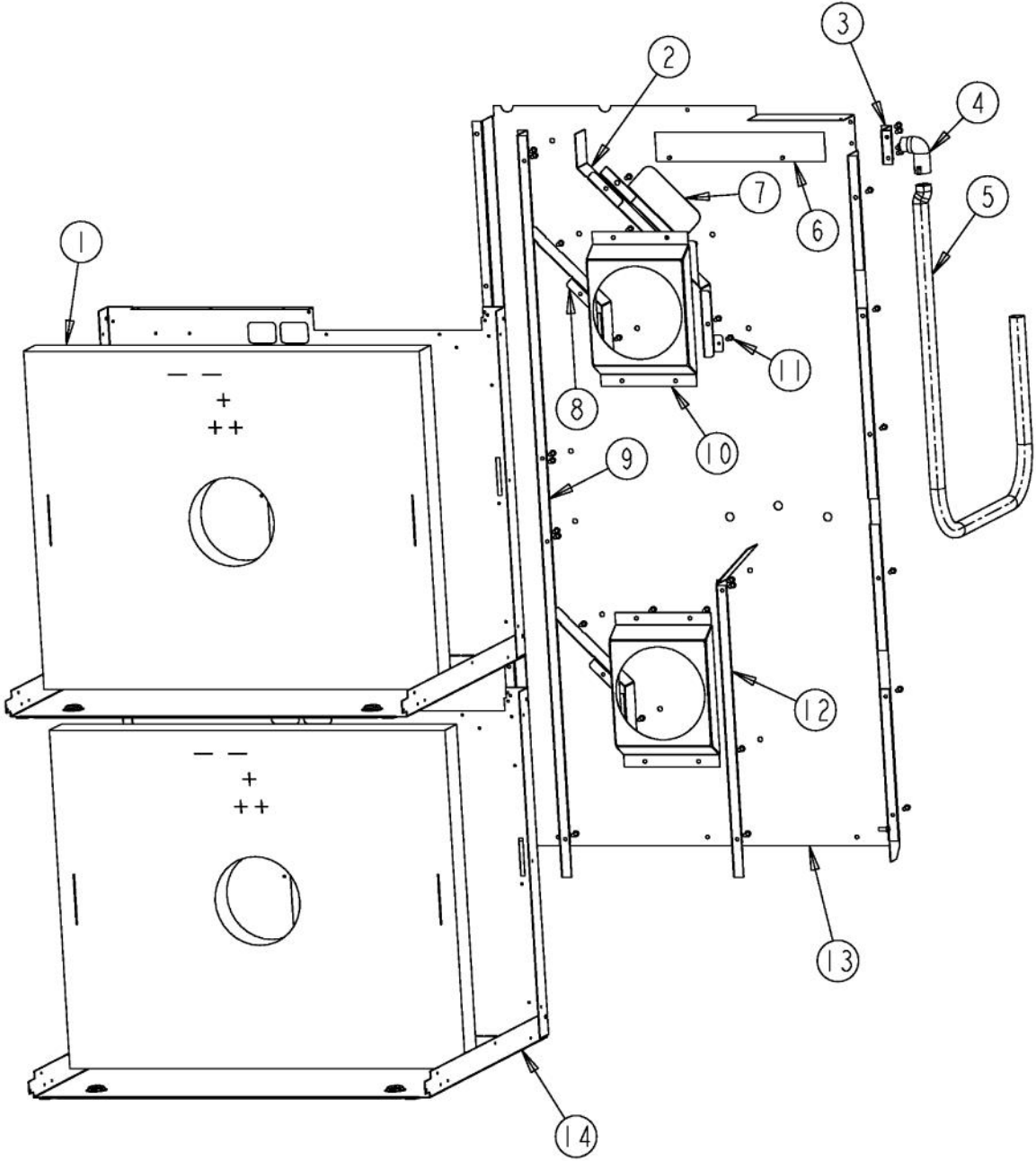
Ref #	Part Number	Qty.	Description
1	PD020060		10 X 1/2 (5/16)HEX WSHR HD.(T)A
2	A20012808		CATALYST EXHAUST, MIDDLE MODULE
3	A2009659		BRACKET, FILLER, BLOWER
4	A3009660		BRACKET, BLOWER, DBL LOWER OVEN
5	PE050250		PREMIUM BLOWER WITH HES
6	A20014036		BOTTOM BLOWER DIVIDER
7	PD020013		TYPE AB NO.6 X 3/8 PH PAN HD. SMS
8	A20014089		DISC BRACKET
9	PJ030039		BI-METAL THERMOSTAT 275 DEGREES
10	PD020004		10X3/8PH.HD.TYPE 25 REPL PD040125
11	A20012649		DOOR SWITCH BRACKET
12	PE050208		DOOR SWITCH
13	PD020063		SCREW-NO.8(A) X 3/8PH WFR HD/BK OXID
14	C90012803BK		INLET GRILL DBL LOWER OVEN 27
15	PD040004		GROMMET BUMPER
16	PB070321		LOWER LATCH INSULATION
17	PE050210		DOOR LATCH
18	PB070079		SILICONE EXTRUSION (DGSU)
19	A20012802		MODULE PAN 27



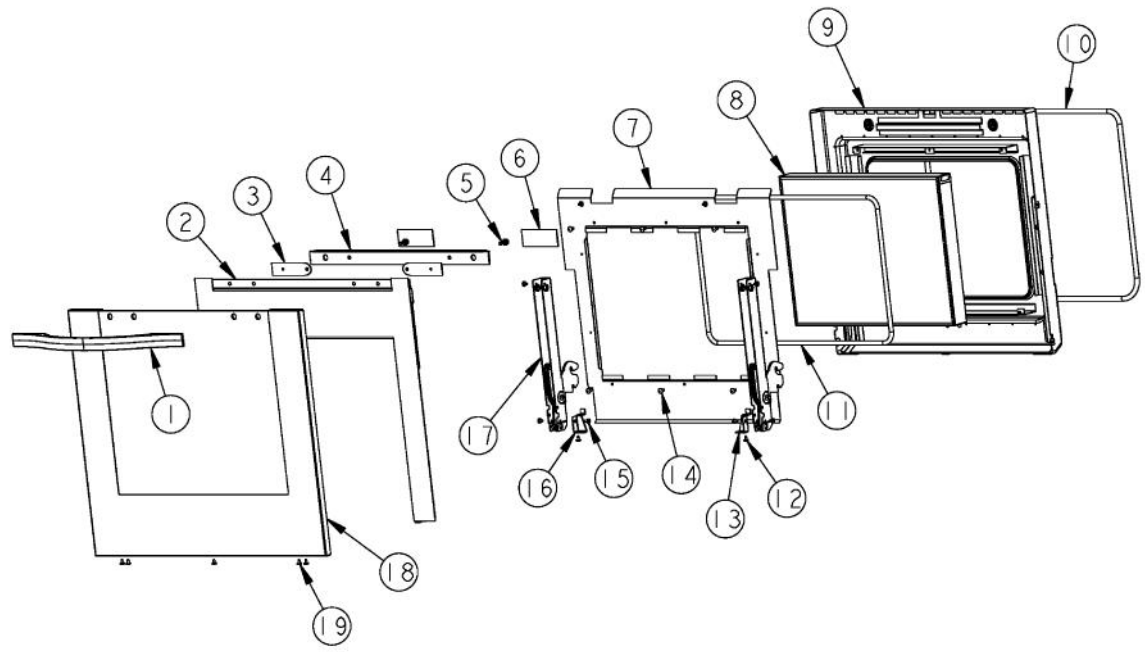
Ref #	Part Number	Qty.	Description
1	PD020060		10 X 1/2 (5/16)HEX WSHR HD.(T)A
2	PD020232		NO.8 X 3/4 PH PAN HEAD TEK SCREW (BLACK OXIDE)
3	PB060105		27 OVEN RACK
4	PD020063		SCREW-NO.8(A) X 3/8PH WFR HD/BK OXID
5	PB060103		RACK SUPPORT RH
6	PB060104		RACK SUPPORT LH
7	A10012648		BACK COVER
8	E91012616		CONV. ELEMENT HOLE COVER
9	E91012615		CONVECTION HOLE COVER
10	E91012614		LIGHT HOLE COVER



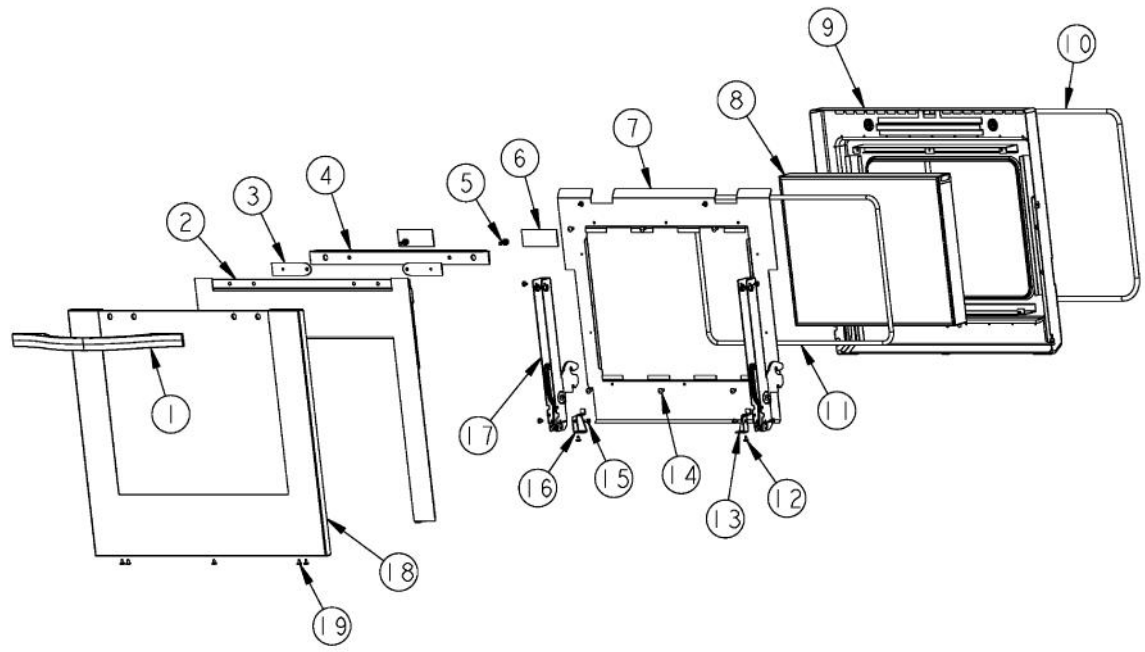
Ref #	Part Number	Qty.	Description
1	A2009696		HOLDER, BAKE ELEMENT
2	PD020060		10 X 1/2 (5/16)HEX WSHR HD.(T)A
3	G30010922		BASE MODULE ASSY 27
4	PD020002		10 X 1/2 PH.TR.HD.SMS.
5	PD020063		SCREW-NO.8(A) X 3/8PH WFR HD/BK OXID
6	C90012822BK		BOTTOM AIR DEFLECTOR 27
7	PB070300		27 BOTTOM INSULATION
8	A20010932		ELEMENT, MTG TRAY
9	PB070309		BAKE ELEMENT INSULATION
10	E2109655		COVER, BAKE TRAY
11	PJ010048		BAKE ELEMENT



Ref #	Part Number	Qty.	Description
1	PB070301		27 BACK INSULATION
2	A21010918		BRACKET, AIR, CONVECTION MOTOR
3	A2009671		BRACKET, POWER CABLE
4	PB040070		CONDUIT FITTING (90 DEG)
5	PB020071		CONDUIT - FLEXIBLE (48)
6	A10010907		COVER, BLOWER
7	A20014052		WIRE SHIELD
8	A21010919		BRACKET, AIR, CONVECTION MOTOR
9	A2009684		REAR AIR DIVIDER, DOUBLE OVEN
10	A2009697		BRACKET, CONVECTION INSULATION
11	PD020060		10 X 1/2 (5/16)HEX WSHR HD.(T)A
12	A200128909		REAR AIR DIVIDER
13	A20012807		PANEL, REAR
14	A20010931		BASE, BACK WRAPPER, 27



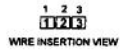
Ref #	Part Number	Qty.	Description
1	PE030167		30 DOOR HANDLE
1	PE030167PVD		30 DOOR HANDLE PVD
2	001498-000		DESIGNER 27`` INSULATION RETAINER KIT
3	PC050002		DESIGNER DOOR HANDLE SPACER
4	PE040285		DESIGNER DOOR TRIM
5	PD020186		1/4-20 X 3/4 HEX WASHER HEAD MS
6	PB070336		DOOR BRACKET INSULATION
7	A20010949		PANEL, INSULATION, INNNER DOOR
8	PE060093		27 WINDOW PACK
9	G91010942		DOOR LINER ASSEMBLY
10	PB070245		27 DOOR GASKET
11	000594-000		BLACK FIBERGLASS ROPE 3/8
12	PD020063		SCREW-NO.8(A) X 3/8PH WFR HD/BK OXID
13	A20012640		HINGE SUPPORT RH
14	PD020002		10 X 1/2 PH.TR.HD.SMS.
15	PD020004		10X3/8PH.HD.TYPE 25 REPL PD040125
16	A20012641		HINGE SUPPORT LH
17	PC020248		DOOR HINGE
18	001453-002		27 IN DES. DOOR SKIN KIT W/LOGO - BK
18	001453-003		27 IN DES. DOOR SKIN KIT W/LOGO - BT
18	001453-005		27 IN DES. DOOR SKIN KIT W/LOGO - GG
18	001453-004		27 IN DES. DOOR SKIN KIT W/LOGO - SG
18	001453-000		27 IN DES. DOOR SKIN KIT W/LOGO - SS
18	001453-006		27 IN DES. DOOR SKIN KIT W/LOGO - WH
19	PD020032		SRW-8(A)X3/8PH.WFR HD 7/16DIAXNICL
NI	G32012811BK		27 DOOR ASSY W/LOGO XBKX
NI	G32012811BKBR		27 DOOR ASSY W/LOGO XBKBRX
NI	G32012811BT		27 DOOR ASSY W/LOGO XBTX
NI	G32012811BTBR		27 DOOR ASSY W/LOGO XBTBRX
NI	G32012811GG		27 DOOR ASSY W/LOGO XGGX
NI	G32012811GGBR		27 DOOR ASSY W/LOGO XGGBRX
NI	G32012811SG		27 DOOR ASSY W/LOGO XSGX
NI	G32012811SGBR		27 DOOR ASSY W/LOGO XSGBRX
NI	G32012811SS		27 DOOR ASSY W/LOGO
NI	G32012811SSBR		27 DOOR ASSY W/LOGO XSSBRX
NI	G32012811WH		27 DOOR ASSY W/LOGO XWHX
NI	G32012811WHBR		27 DOOR ASSY W/LOGO XWHBRX
NI	017736-000		WINDOW PACK INSULATION KIT



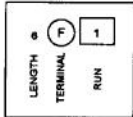
Ref #	Part Number	Qty.	Description
1	PE030167		30 DOOR HANDLE
1	PE030167PVD		30 DOOR HANDLE PVD
2	001498-000		DESIGNER 27`` INSULATION RETAINER KIT
3	PC050002		DESIGNER DOOR HANDLE SPACER
4	PE040285		DESIGNER DOOR TRIM
5	PD020186		1/4-20 X 3/4 HEX WASHER HEAD MS
6	PB070336		DOOR BRACKET INSULATION
7	A20010949		PANEL, INSULATION, INNNER DOOR
8	PE060093		27 WINDOW PACK
9	G91010942		DOOR LINER ASSEMBLY
10	PB070245		27 DOOR GASKET
11	000594-000		BLACK FIBERGLASS ROPE 3/8
12	PD020063		SCREW-NO.8(A) X 3/8PH WFR HD/BK OXID
13	A20012640		HINGE SUPPORT RH
14	PD020002		10 X 1/2 PH.TR.HD.SMS.
15	PD020004		10X3/8PH.HD.TYPE 25 REPL PD040125
16	A20012641		HINGE SUPPORT LH
17	PC020248		DOOR HINGE
18	001454-002		27 IN DES DOOR SKIN KIT W/O LOGO - BK
18	001454-003		27 IN DES. DOOR SKIN KIT W/O LOGO - BT
18	001454-005		27 IN DES. DOOR SKIN KIT W/O LOGO - GG
18	001454-004		27 IN DES DOOR SKIN KIT W/O LOGO - SG
18	001454-000		27 IN DES. DOOR SKIN KIT W/O LOGO - SS
18	001454-006		27 IN DES. DOOR SKIN KIT W/O LOGO - WH
19	PD020032		SRW-8(A)X3/8PH.WFR HD 7/16DIAXNICL
NI	G32014007BK		27 DOOR ASSY W/O LOGO XBKX
NI	G32014007BKBR		27 DOOR ASSY W/O LOGO XBKBRX
NI	G32014007BT		27 DOOR ASSY W/O LOGO XBTX
NI	G32014007BTBR		27 DOOR ASSY W/O LOGO XBTBRX
NI	G32014007GG		27 DOOR ASSY W/O LOGO XGGX
NI	G32014007GGBR		27 DOOR ASSY W/O LOGO XGGBRX
NI	G32014007SG		27 DOOR ASSY W/O LOGO XSGX
NI	G32014007SGBR		27 DOOR ASSY W/O LOGO XSGBRX
NI	G32014007SS		27 DOOR ASSY W/O LOGO
NI	G32014007SSBR		27 DOOR ASSY W/O LOGO XSSBRX
NI	G32014007WH		27 DOOR ASSY W/O LOGO XWHX
NI	G32014007WHBR		27 DOOR ASSY W/O LOGO XWHBRX
NI	017736-000		WINDOW PACK INSULATION KIT

1

3 POSITION CONNECTOR



WIRE		
RUN	COLOR	GAGE
1	WHITE	18
2	BLACK	18
3	WHITE	18



* = WIRE TIE LOCATION

3 POSITION CONNECTOR

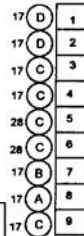


2

9 POSITION MATE & LOCK CONNECTOR



QTY.	KEY	TERMINAL DESCRIPTION			
1	A	.250 ULTRA FAST RECEPTACLE	B	C	.187 x .020 ULTRA FAST RECEPTACLE
		TEMPERATURE RATING - 125°C			TEMPERATURE RATING - 125°C
1	B	.250 STEEL RECEPTACLE	2	D	.250 STEEL FLAG RECEPTACLE
		OPERATING TEMP.: -55°C TO 175°C			OPERATING TEMP.: -55°C TO 175°C



WIRE		
RUN	COLOR	GAGE
1	BLACK	18
2	GREY	18
3	BLACK	18
4	WHITE	18
5	BROWN	18
6	PURPLE	18
7	GREEN	18
8	ORANGE	18
9	BLUE	18
10	GREEN	18

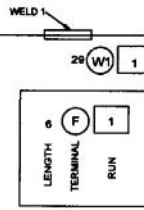
3

3 POSITION CONNECTOR



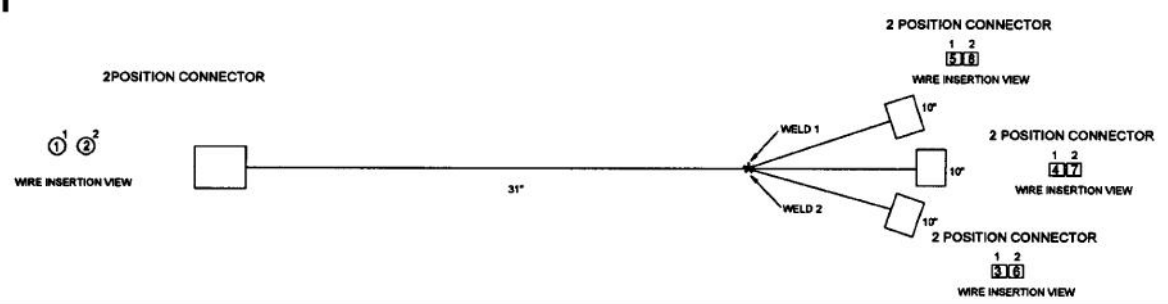
TERMINALS				
CODE	TYPE	SIZE	INSULATED	MATERIAL
A	STRAIGHT	0.25	YES	STEEL
B	STRAIGHT	0.25	KYNAR	STEEL
C	STRAIGHT	0.187	YES	STEEL
D	FLAG	0.25	YES	STEEL
F	FLAG	0.187	YES	STEEL
G	STRAIGHT	0.25	NO	STEEL
H	RING	0.25	NO	STEEL
W	WELD / SPLICE			

WIRE		
RUN	COLOR	GAGE
1	WHITE	14
2	WHITE	18
3	WHITE	18
4	WHITE	18
5	WHITE	18



Ref #	Part Number	Qty.	Description
1	PE070738		T/STAT-SEL HARNESS
NI	PE070733		UPPER LATCH HARNESS
NI	PE070739		BAKE ELEMENT HARNESS
NI	G4005496		SUPPLY WIRE - 100 BK 10GA SO/DO
NI	G4005497		SUPPLY WIRE - 100 GREEN 10GA SO/DO
NI	G4005499		SUPPLY WIRE - 100 RED 10GA SO/DO
NI	G4005494		SUPPLY WIRE - 75 WH 12 GA SO/DO

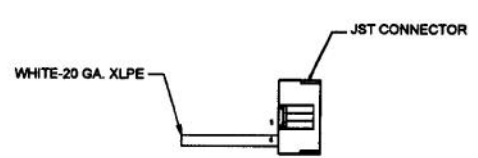
1



2

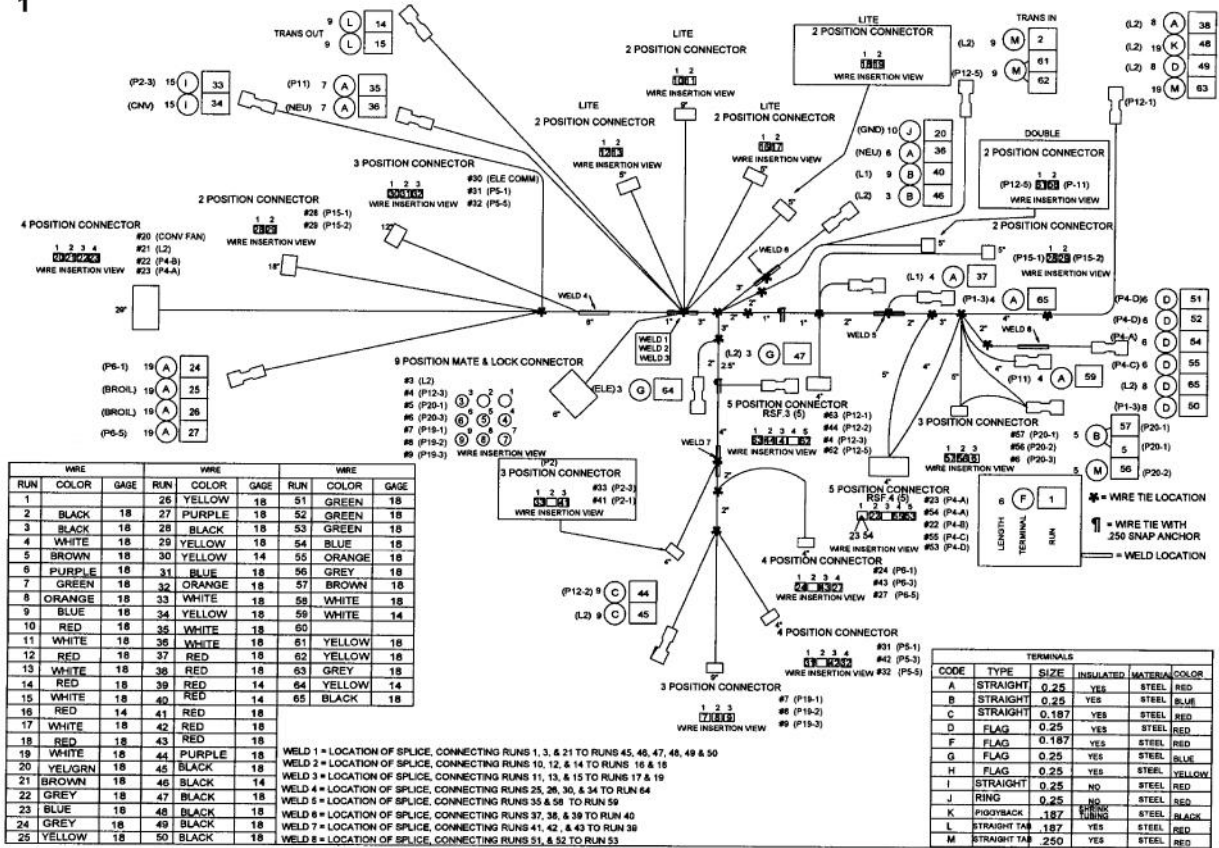


3



Ref #	Part Number	Qty.	Description
1	PE070741		LOWER LIGHT HARNESS
2	PE070744		DOUBLE CLOCK HARNESS
3	PE070796		6 POSITION 27 L.O.

1

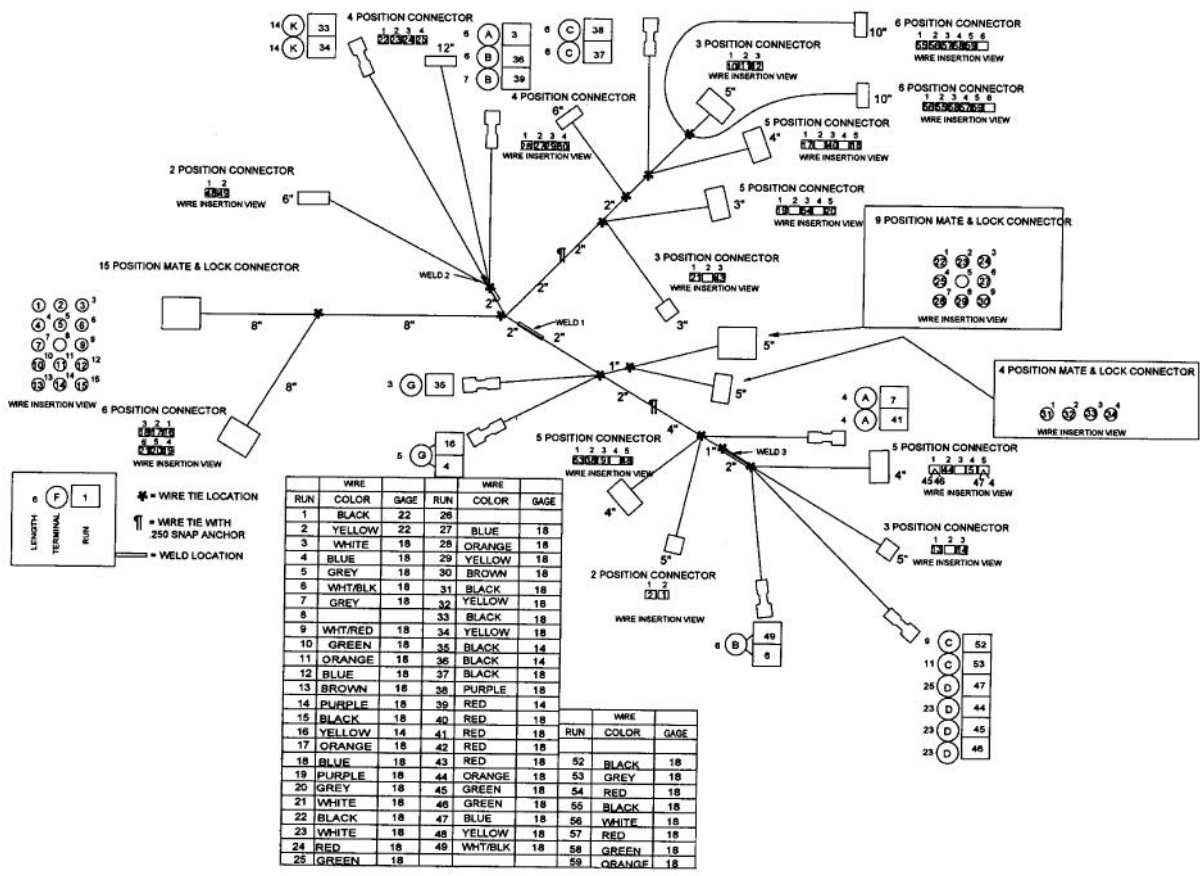


WIRE	WIRE	WIRE	WIRE	WIRE	WIRE	WIRE	WIRE	
RUN	COLOR	GAGE	RUN	COLOR	GAGE	RUN	COLOR	GAGE
1			25	YELLOW	18	51	GREEN	18
2	BLACK	18	27	PURPLE	18	52	GREEN	18
3	BLACK	18	28	BLACK	18	53	GREEN	18
4	WHITE	18	29	YELLOW	18	54	BLUE	18
5	BROWN	18	30	YELLOW	14	55	ORANGE	18
6	PURPLE	18	31	BLUE	18	56	GREY	18
7	GREEN	18	32	ORANGE	18	57	BROWN	18
8	ORANGE	18	33	WHITE	18	58	WHITE	18
9	BLUE	18	34	YELLOW	18	59	WHITE	14
10	RED	18	35	WHITE	18	60		
11	WHITE	18	36	WHITE	18	61	YELLOW	18
12	RED	18	37	RED	18	62	YELLOW	18
13	WHITE	18	38	RED	18	63	GREY	18
14	RED	18	39	RED	14	64	YELLOW	14
15	WHITE	18	40	RED	14	65	BLACK	18
16	RED	14	41	RED	18			
17	WHITE	18	42	RED	18			
18	RED	18	43	RED	18			
19	WHITE	18	44	PURPLE	18			
20	YELLOW	18	45	BLACK	18			
21	BROWN	18	46	BLACK	14			
22	GREY	18	47	BLACK	18			
23	BLUE	18	48	BLACK	18			
24	GREY	18	49	BLACK	18			
25	YELLOW	18	50	BLACK	18			

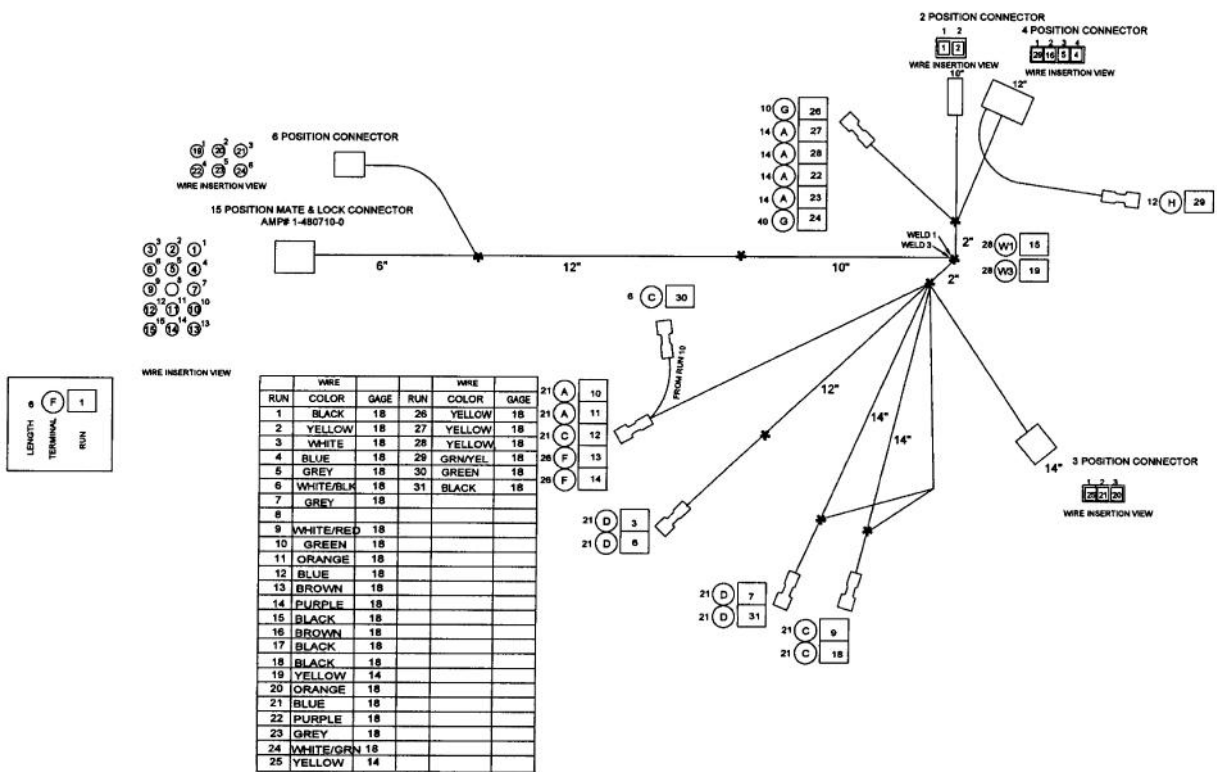
WELD 1 = LOCATION OF SPLICE, CONNECTING RUNS 1, 3, & 21 TO RUNS 45, 46, 47, 48, 49 & 50
 WELD 2 = LOCATION OF SPLICE, CONNECTING RUNS 11, 13, & 14 TO RUNS 16 & 18
 WELD 3 = LOCATION OF SPLICE, CONNECTING RUNS 11, 13, & 15 TO RUNS 17 & 19
 WELD 4 = LOCATION OF SPLICE, CONNECTING RUNS 25, 26, 30, & 34 TO RUN 64
 WELD 5 = LOCATION OF SPLICE, CONNECTING RUNS 35 & 58 TO RUN 59
 WELD 6 = LOCATION OF SPLICE, CONNECTING RUNS 37, 38, & 39 TO RUN 40
 WELD 7 = LOCATION OF SPLICE, CONNECTING RUNS 41, 42, & 43 TO RUN 38
 WELD 8 = LOCATION OF SPLICE, CONNECTING RUNS 51, & 52 TO RUN 53

CODE	TYPE	SIZE	INSULATED	MATERIAL	COLOR
A	STRAIGHT	0.25	YES	STEEL	RED
B	STRAIGHT	0.25	YES	STEEL	BLUE
C	STRAIGHT	0.187	YES	STEEL	RED
D	FLAG	0.25	YES	STEEL	RED
F	FLAG	0.187	YES	STEEL	RED
G	FLAG	0.25	YES	STEEL	BLUE
H	FLAG	0.25	YES	STEEL	YELLOW
I	STRAIGHT	0.25	NO	STEEL	RED
J	RING	0.25	NO	STEEL	RED
K	PIGGYBACK	187	NO	STEEL	BLACK
L	STRAIGHT TAB	187	YES	STEEL	RED
M	STRAIGHT TAB	250	YES	STEEL	RED

Ref #	Part Number	Qty.	Description
1	PE070742		UPPER CONTROL HARNESS



Ref #	Part Number	Qty.	Description
1	PE070736		LOWER CONTROL HARNESS



Ref #	Part Number	Qty.	Description
1	PE070740		LOWER LATCH HARNESS