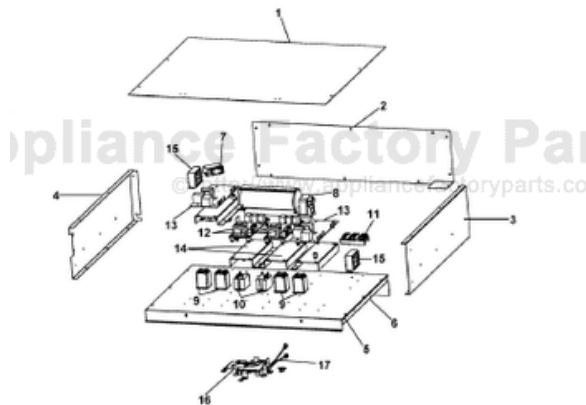


This Owner's Manual is provided and hosted by [Appliance Factory Parts](#).



VIKING DEDO205 Owner's Manual

[Shop genuine replacement parts for VIKING DEDO205](#)

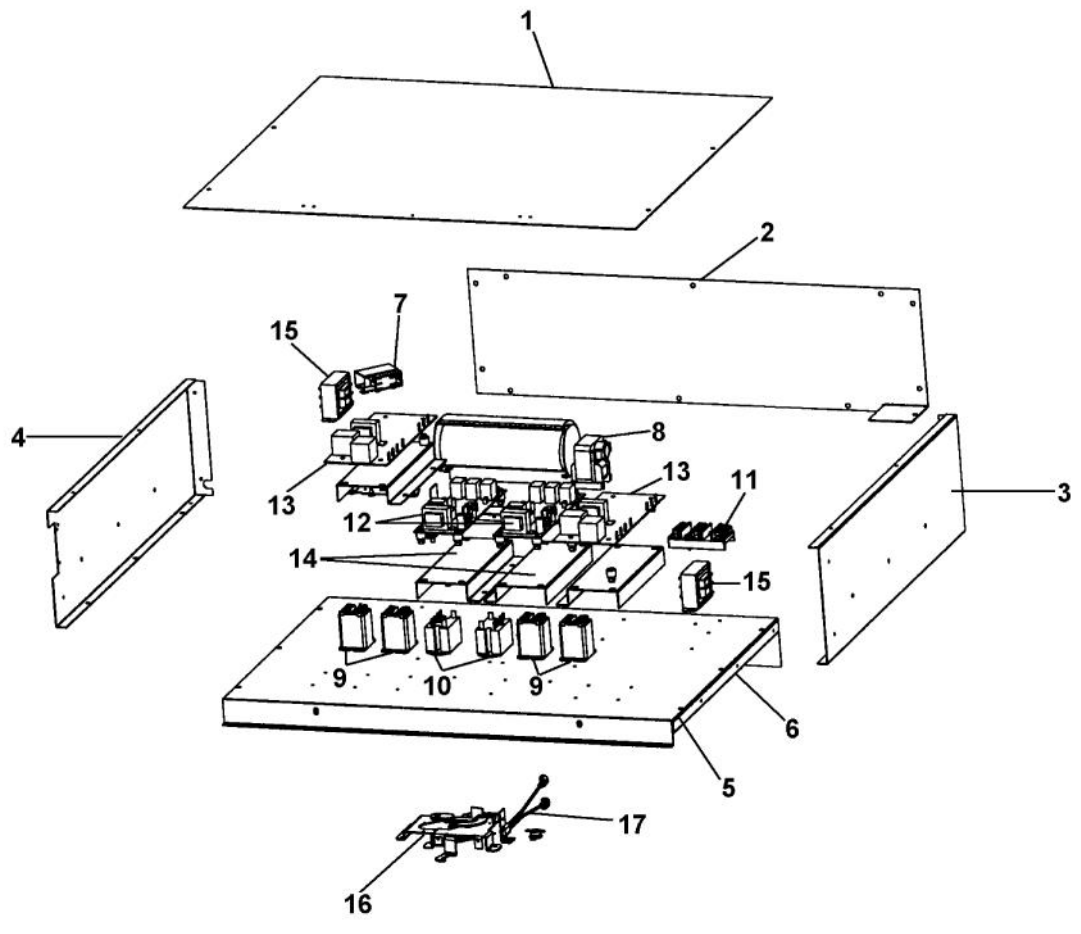


[Find Your VIKING Oven Parts - Select From 98 Models](#)

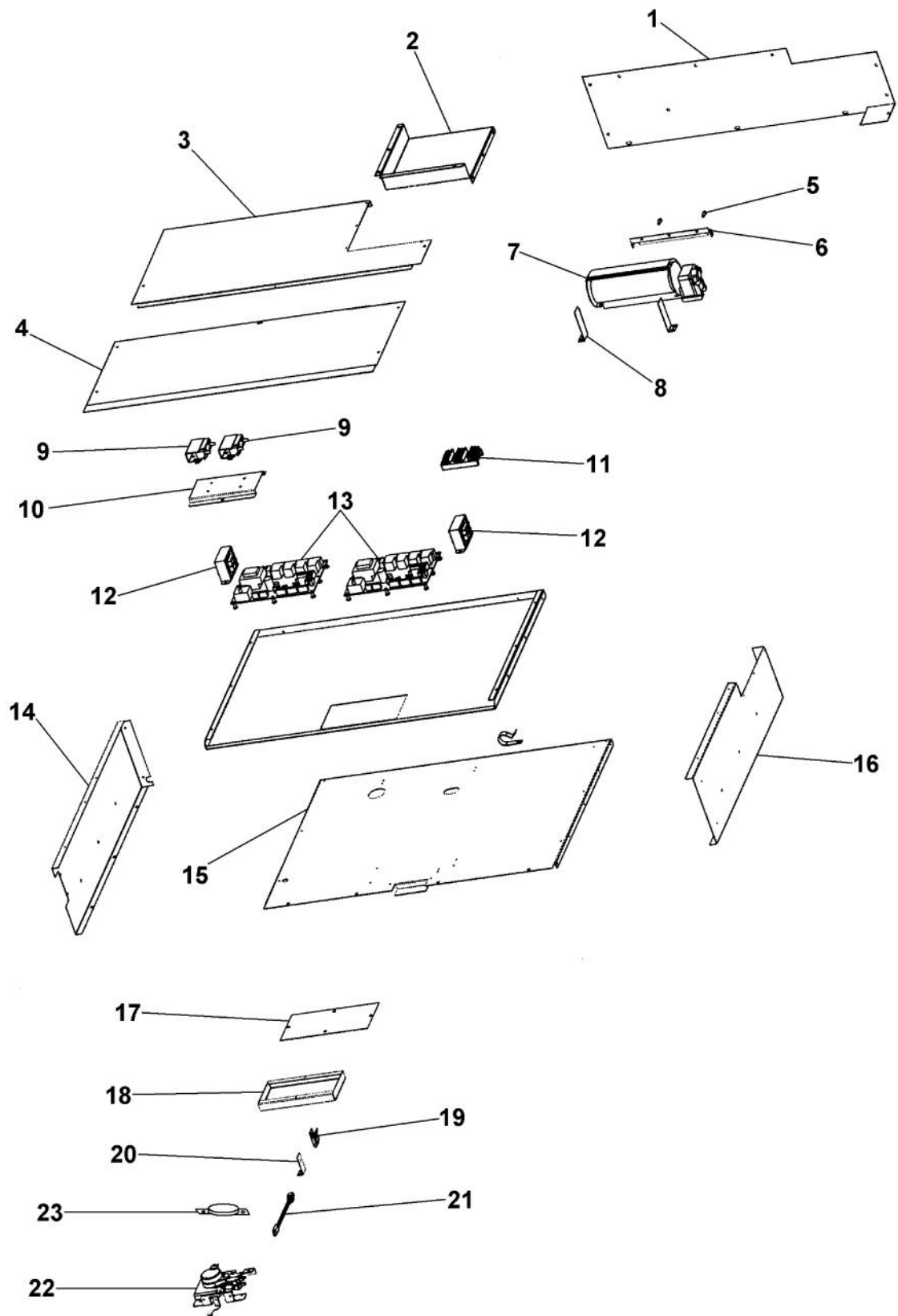
----- Manual continues below -----

*No Image
Available*

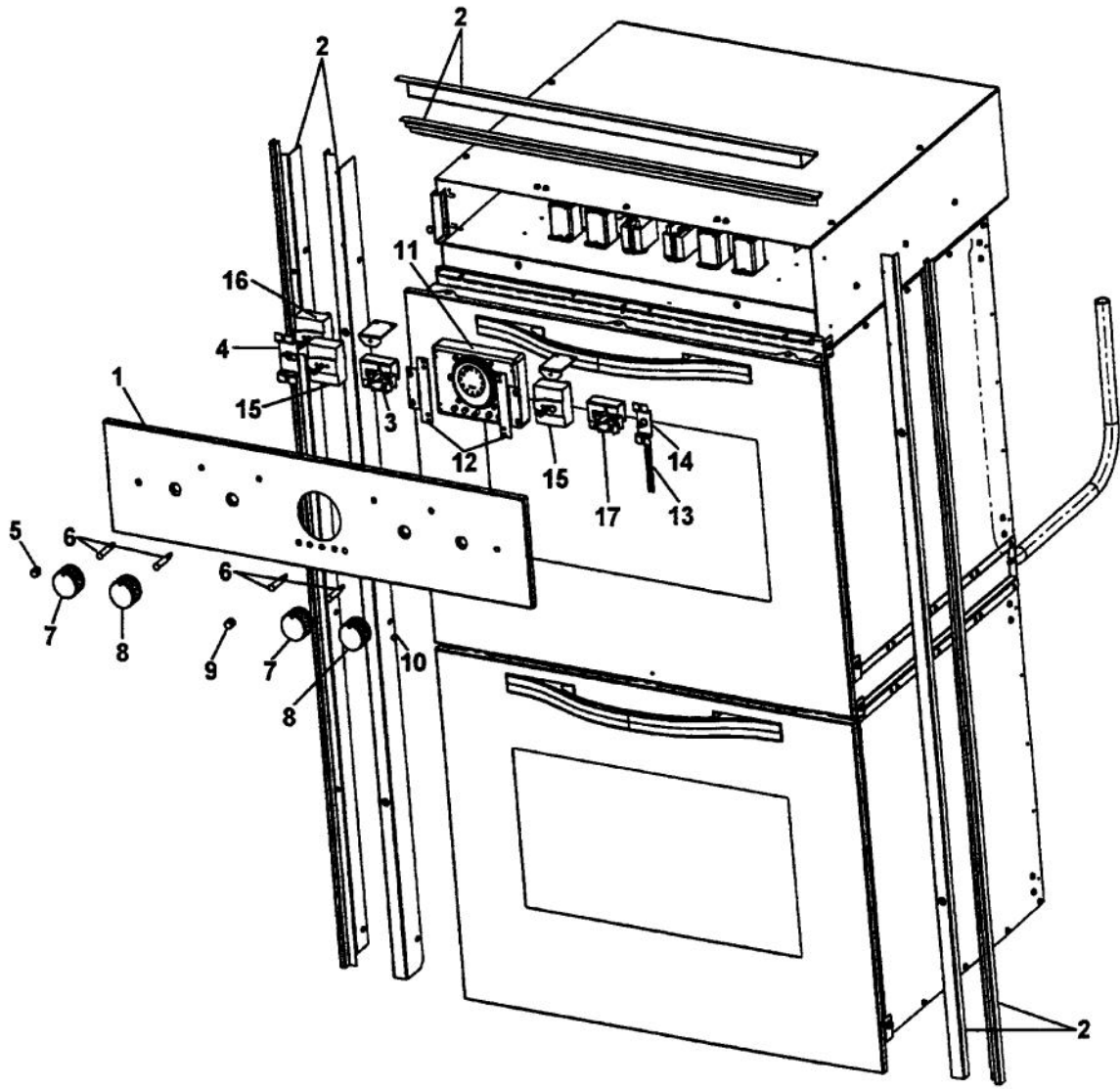
Ref #	Part Number	Qty.	Description
1	PJ030010		SELECTOR SWITCH (3-POSITION)VEDO205
2	PJ030001		SELECTOR SWITCH (8-POSITION) VDSC
3	PJ030002		AUTO RESET (SELF-CLEAN) VDSC
4	PJ010004		BAKE ELEMENT (VDSC) 240V
5	PE050087		BLOWER ASSEMBLY - DESIGNER SERIES
6	PE050088		DESIGNER CLOCK
7	G3207273		CONCEALED BROIL ELEMENT ASSY (DED0)
8	PJ010003		CONVECTION ELEMENT (VDSC) 240V
9	PE050005		CONVECTION FAN ASSY
10	PE050112		DOOR LATCH
11	PJ030006		SWITCH (COOLING FAN)
12	PE050059		HI-LIMIT SWITCH
13	PE050073		DESIGNER INDICATOR LT
14	PE050114		MEAT PROBE (DESO/DED0) (SWITCHCRAFT'S PART NO. 4...
15	PE050115		MEAT PROBE JACK
16	PE050056		OVEN LIGHT ASSY 12V/5W
17	G4008423		DESIGNER OVEN LIGHT SWITCH ASSY
18	PE070308		PRE-HEAT BOARD
19	PM010129		RELAY
20	PM010029		RELAY (DOUBLE POLE-DOUBLE THROW)TEM
21	PE070148		SELF-CLEAN BOARD/TIMER (VDSC)
22	PM010014		SMOKE ELIMINATOR (VDSC)
23	PE070147		TERMINAL BLOCK
24	PJ030012		THERMOSTAT (SELF-CLEAN) VESO/VEDO (USED FROM 7/16/01 TO 6/30/04)
24	PJ030031		SUB TO PS500032 - UPPER THERMOSTAT (USED FROM 3/8/04 TO 8/8/05)
24	PJ030037		SUB TO PS500033 - SELF CLEAN THERMOSTAT (USED FROM 8/8/05 TO PRESENT)
25	PE070468		TRANSFORMER HALOGEN LIGHTS REPLACES PE070222



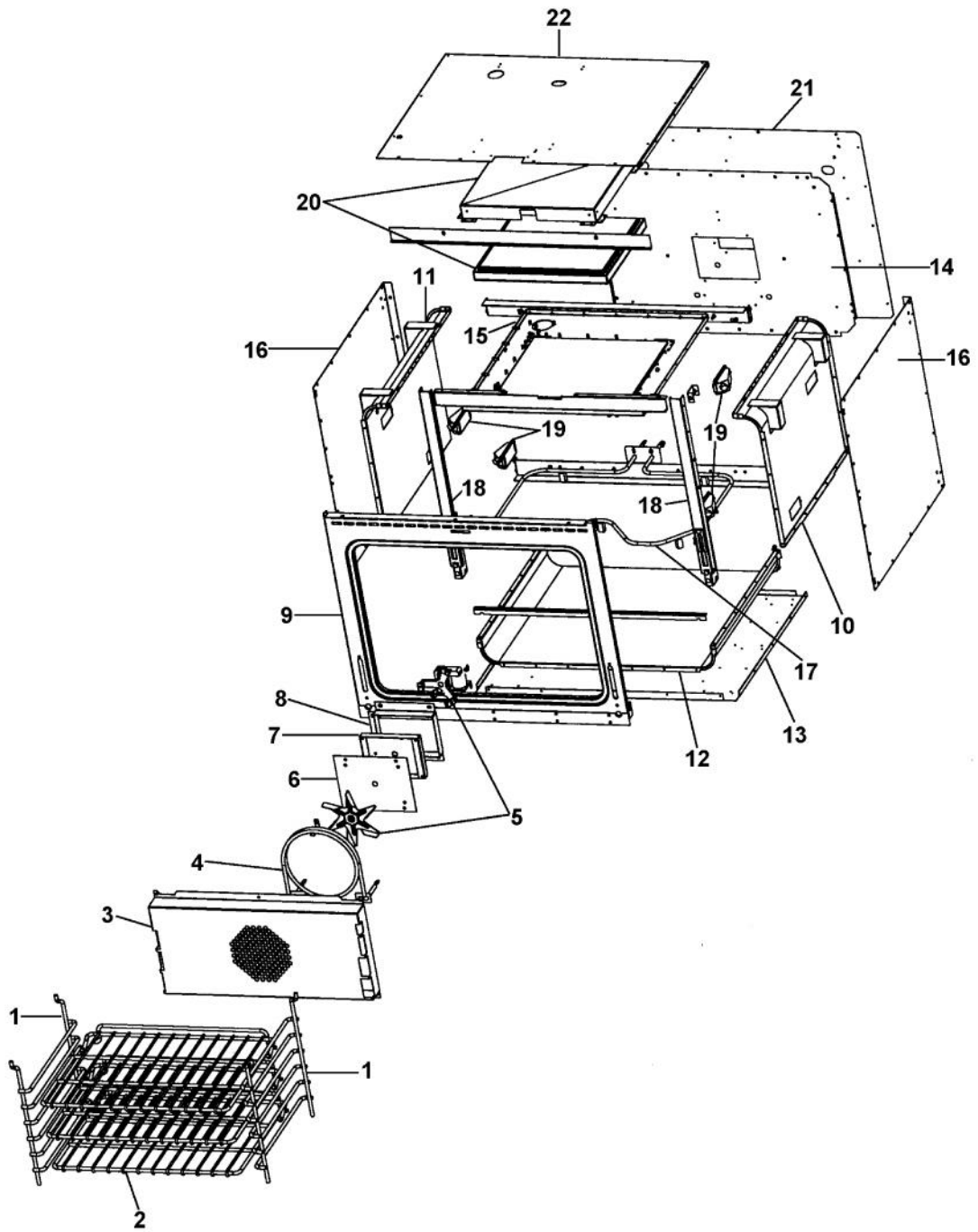
Ref #	Part Number	Qty.	Description
1	A2007956		30`` CABINET TOP
2	A2007908		30 INCH TOP REAR COVER
3	A2007698		CABINET SIDE RH
4	A2007699		CABINET SIDE LH
5	NOT REPLACEABLE		OVEN CAVITY (NOT REPLACEABLE PART)
6	NOT REPLACEABLE		OVEN CAVITY (NOT REPLACEABLE PART)
7	PJ030002		AUTO RESET (SELF-CLEAN) VDSC
8	PE050087		BLOWER ASSEMBLY - DESIGNER SERIES
9	PM010029		RELAY (DOUBLE POLE-DOUBLE THROW)TEM
10	PM010129		RELAY
11	PE070147		TERMINAL BLOCK
12	PE070148		SELF-CLEAN BOARD/TIMER (VDSC)
13	PE070308		PRE-HEAT BOARD
14	A2007212		CLEAN BOARD MOUNTING BRACKET
15	PE070468		TRANSFORMER HALOGEN LIGHTS REPLACES PE070222
16	PE050112		DOOR LATCH
17	PE050059		HI-LIMIT SWITCH
NI	PE070319		DESO PREHEAT HARNESS
NI	PE070320		DED0 PREHEAT HARNESS



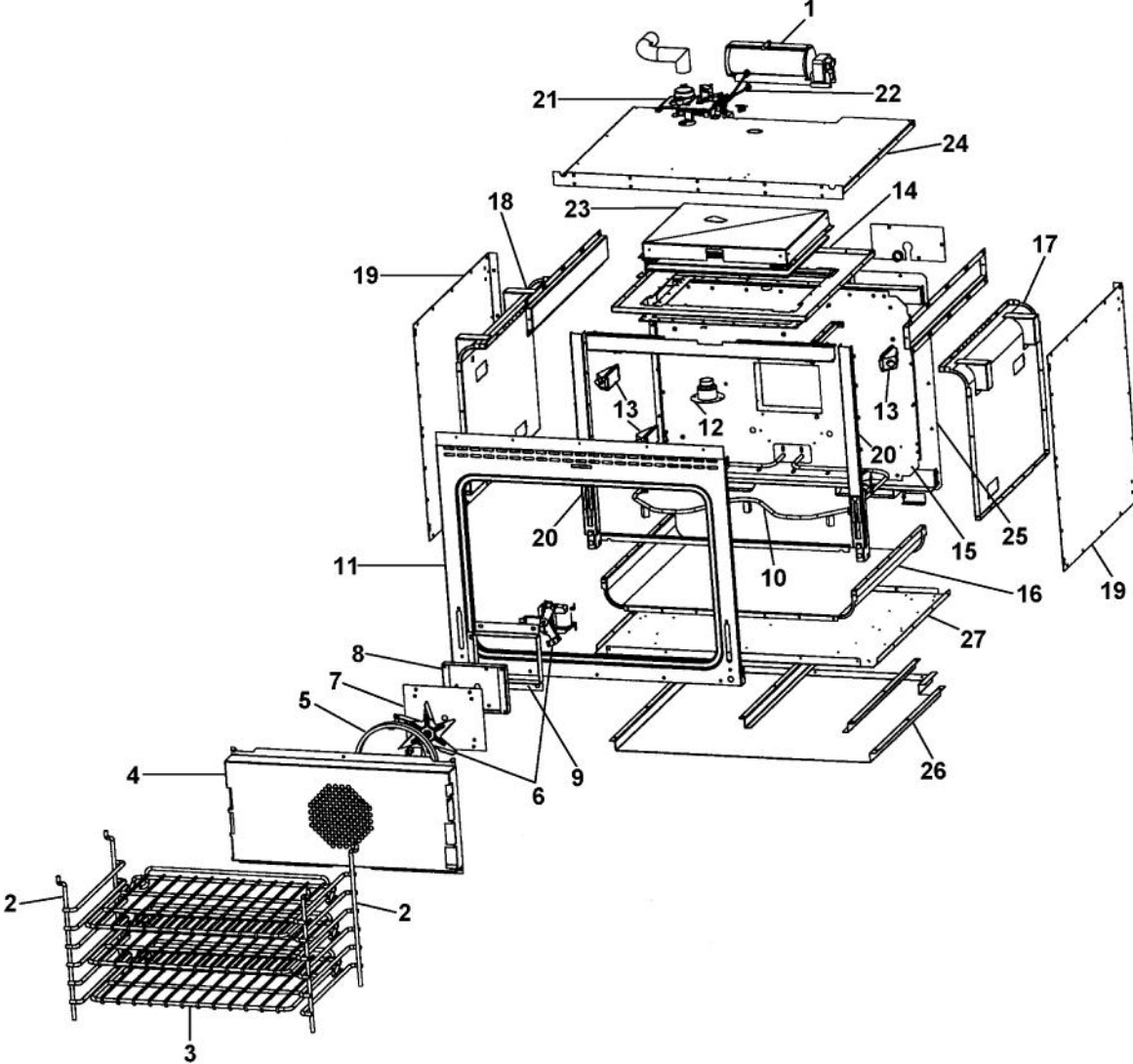
Ref #	Part Number	Qty.	Description
1	A2008557		30 TOP REAR COVER
2	A2008543		TOP CHANNEL
3	A20010562		30 CABINET TOP REAR
4	A20010580		30 CABINET TOP FRONT
5	PD020060		10 X 1/2 (5/16)HEX WSHER HD.(T)A
6	A2006048		FAN MOUNTING BRACKET
7	PE050087		BLOWER ASSEMBLY - DESIGNER SERIES
8	A2006183		AIR GUIDE
9	PJ030002		AUTO RESET (SELF-CLEAN) VDSC
10	A2009884		AUTO RESET BRACKET
11	PE070147		TERMINAL BLOCK
12	PE070468		TRANSFORMER HALOGEN LIGHTS REPLACES PE070222
13	PE070472		ELECTRONIC CONTROL BOARD
14	A2007699		CABINET SIDE LH
15	A2007269		TOP INSULATION RETAINER 30
16	A2007906		30`` SINGLE CAB. SIDE RH
17	A10010553		LOCK COVER
18	A20010554		LOCK BOX
19	PD030062		.250 HI-LIMIT SWITCH CLAMP(VGSC306)
20	A2007276		LIMIT SWITCH BRACKET
21	PE050059		HI-LIMIT SWITCH
22	PE050112		DOOR LATCH
23	PJ030006		SWITCH (COOLING FAN)



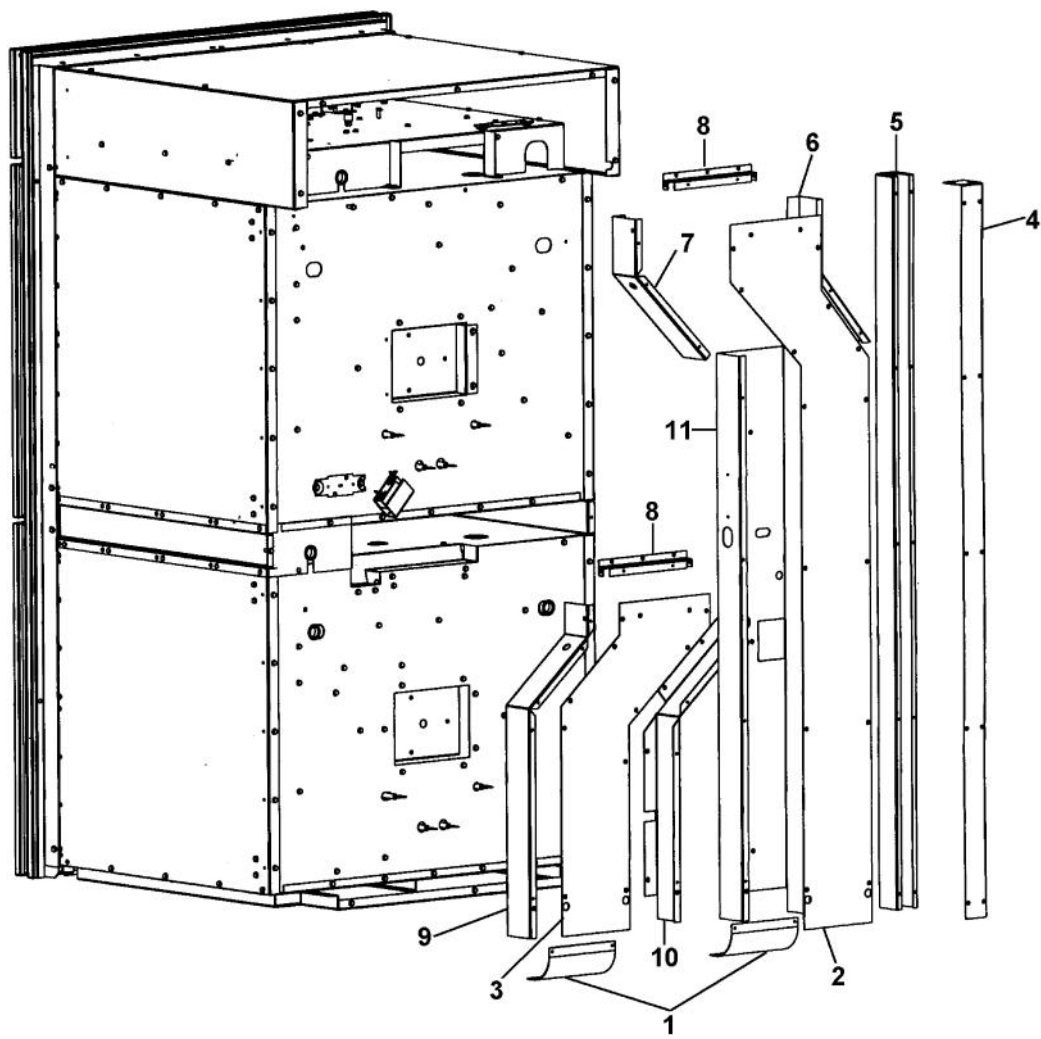
Ref #	Part Number	Qty.	Description
1	B9207253 C9207253BK C9207253BT C9207253GG C9207253SG C9207253WH		CONTROL PANEL 30 DBL (DED0205) CTRL PAN DED0205 XBKX SLK. SC. CTRL PAN DED0205 XBTX SLK. SC. CTRL PAN DED0205 XGGX SLK. SC. CTRL PAN DED0205 XSGX SLK. SC. CTRL PAN DED0205 XWHX SLK. SC.
2	G3007285 G9007611BK G9007611BT G9007611GG G9007611SG G9007611WH		DED0200/205 TRIM ASSY SUB TO G90012654BK - DED0200/205 TRIM ASSY XBKX SUB TO G90012654BT - DED0200/205 TRIM ASSY XBTX FRONT TRIM ASSY - GG (10/30/01 - PRESENT) SUB TO G90012654SG - DED0200/205 TRIM ASSY XSGX SUB TO G90012654WH - DED0200/205 TRIM ASSY XWHX
3	PJ030003 PJ030012 PJ030037		THERMOSTAT (SELF-CLEAN) VDSC (BEFORE 03/08/05) THERMOSTAT (SELF-CLEAN) VESO/VEDO (BEFORE 03/08/05) SUB TO PS500033 - SELF CLEAN THERMOSTAT (AFTER 03/08/05)
4	A2006100		THREE POSITION SELECTOR BRKT
5	PA010110 PA010110PVD		DESIGNER OVEN SELECTOR KNOB REPL PA010092 DESIGNER OVEN SELECTOR KNOB-BRASS
6	PE050073		DESIGNER INDICATOR LT
7	PA010091 PA010091PVD PA010095 PA010095PVD		SELECTOR KNOB - BK DESIGNER SELECTOR KNOB - BR DESIGNER SELECTOR KNOB - GRAY DESIGNER SELECTOR KNOB-BR/GRAY
8	PB010196 PB010196PVD PB010204 PB010204PVD		DESIGNER THERMOSTAT KNOB DESIGNER THERMOSTAT KNOB W/BRASS DESIGNER THERMOSTAT KNOB - GRAY DESIGNER THERMOSTAT KNOB -BR/GRAY
9	PB010221 PB010221PVD		DESIGNER BIT GEN. KNOB (NEW CLOCK) DESIGNER BIT GEN. KNOB - BRASS
10	PA010093 PA010093PVD		DESIGNER OVEN LT SWITCH KNOB DESIGNER OVEN LT SWITCH KNOB-BRASS
11	PE050088		DESIGNER CLOCK
12	A2007255		CLOCK MOUNTING BRACKET
13	G4008423		DESIGNER OVEN LIGHT SWITCH ASSY
14	A2006101		OVEN LIGHT SWITCH BRACKET
15	PJ030001		SELECTOR SWITCH (8-POSITION) VDSC
16	PJ030010		SELECTOR SWITCH (3-POSITION)VEDO205
17	PJ030037		SUB TO PS500033 - SELF CLEAN THERMOSTAT
NI	H9107912		30`` CONTROL MNTG. PANEL ASSY



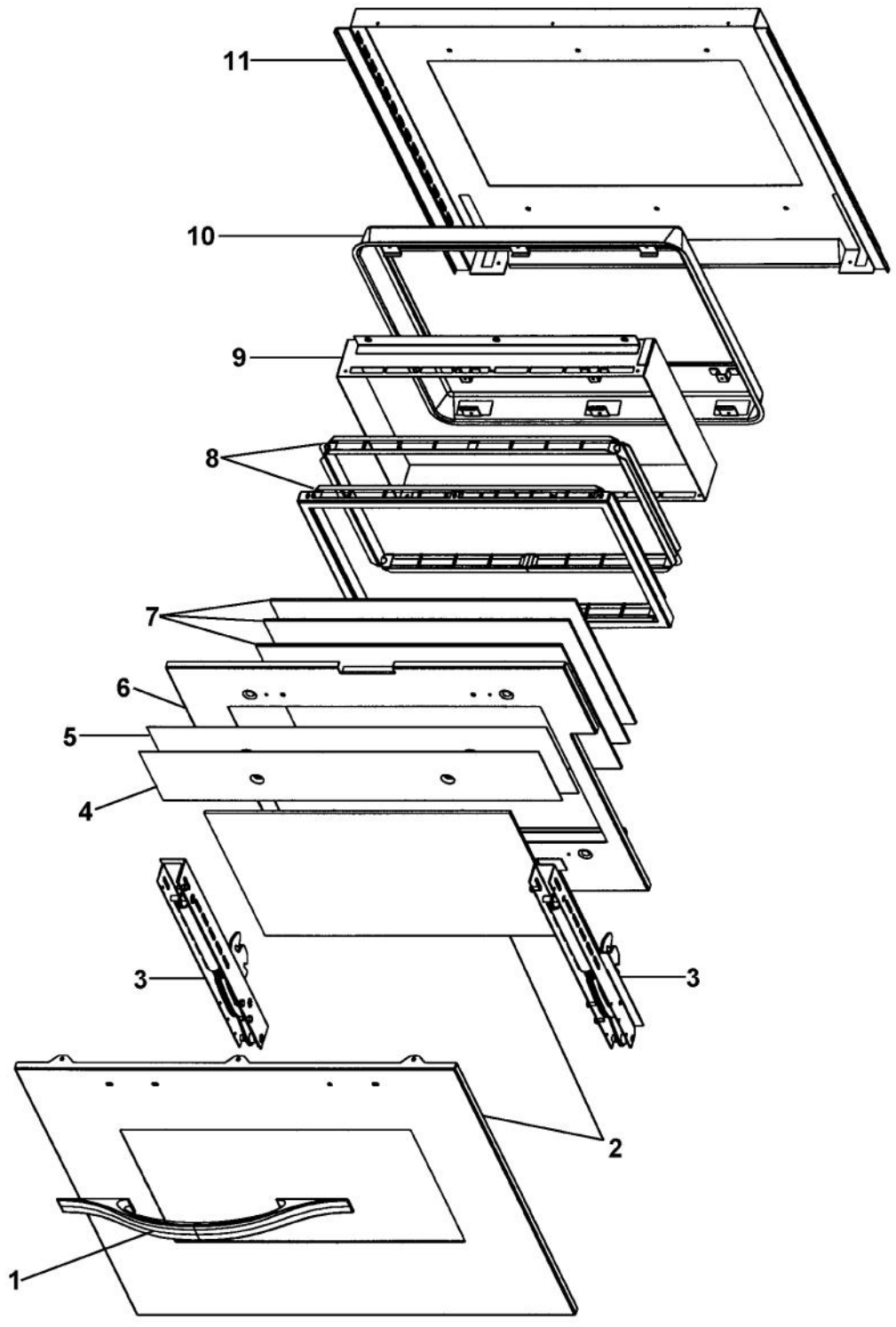
Ref #	Part Number	Qty.	Description
1	PB060030		RACK SUPT REPL PB060010
2	PB060044		OVEN RK VDSC30/48RH REPL PB060019
3	G9104316		CONVECTION FAN ASSY (VESO176/DO276)
4	PJ010003		CONVECTION ELEMENT (VDSC) 240V
5	PE050005		CONVECTION FAN ASSY
6	A1002596		CONVECTION FAN COVER (VDSC)
7	A2002595		CONVECTION FAN BOX (VDSC)
8	A2001746		FAN INSUL. SHIELD - SIDE
9	H9106118		30 INCH DESIGNER F.F. ASSEMBLY
10	NOT REPLACEABLE		OVEN CAVITY (NOT REPLACEABLE PART)
11	NOT REPLACEABLE		OVEN CAVITY (NOT REPLACEABLE PART)
12	NOT REPLACEABLE		OVEN CAVITY (NOT REPLACEABLE PART)
13	NOT REPLACEABLE		OVEN CAVITY (NOT REPLACEABLE PART)
14	E9107264		OVEN BACK 30 (DED0205)
15	E9107263		OVEN TOP 30 (DED0205)
16	A2002904		SIDE INSULATION RETAINER
17	PJ010004		BAKE ELEMENT (VDSC) 240V
18	PC020016		HINGE RECEIVER (VEDO/VEDO)
19	PE050056		OVEN LIGHT ASSY 12V/5W
20	G3207273		CONCEALED BROIL ELEMENT ASSY (DED0)
21	A1007271		BACK INSULATION RETAINER 30
22	G3007461		30 TOP INSULATION RETAINER ASSY
NI	PJ030006		SWITCH (COOLING FAN)
NI	PM010014		SMOKE ELIMINATOR (VDSC)
NI	PE050115		MEAT PROBE JACK
NI	PE050114		MEAT PROBE (DESO/DED0) (SWITCHCRAFT'S PART NO. 4...
NI	PB080002		BROILER PAN
NI	PB080003		BROILER PAN TRAY (KRA2)



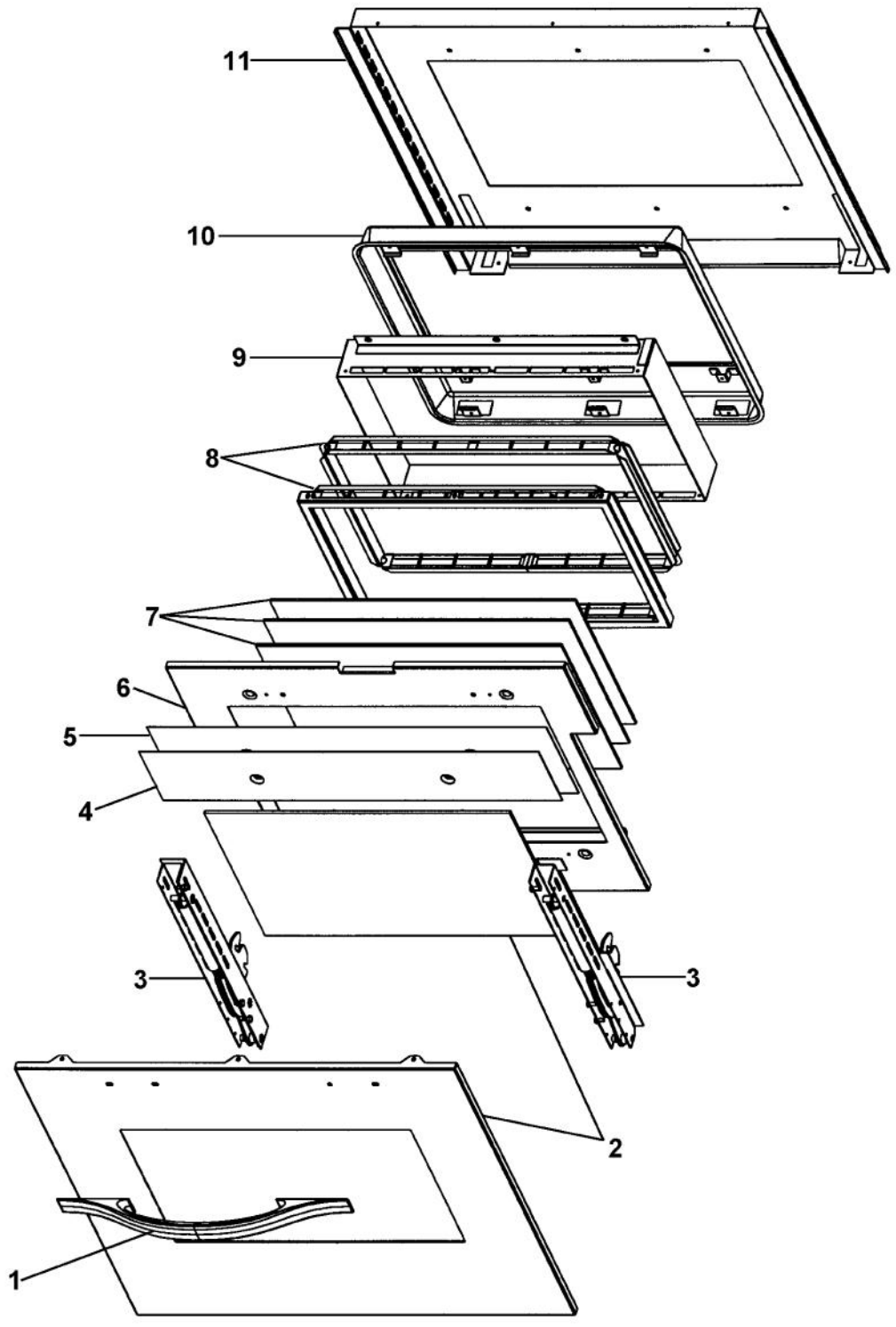
Ref #	Part Number	Qty.	Description
1	PE050087		BLOWER ASSEMBLY - DESIGNER SERIES
2	PB060030		RACK SUPT REPL PB060010
3	PB060044		OVEN RK VDSC30/48RH REPL PB060019
4	G9104316		CONVECTION FAN ASSY (VESO176/DO276)
5	PJ010003		CONVECTION ELEMENT (VDSC) 240V
6	PE050005		CONVECTION FAN ASSY
7	A1002596		CONVECTION FAN COVER (VDSC)
8	A2002595		CONVECTION FAN BOX (VDSC)
9	A2001746		FAN INSUL. SHIELD - SIDE
10	PJ010004		BAKE ELEMENT (VDSC) 240V
11	H9107467		30 LOWER FRONT FRAME ASSY
12	PM010014		SMOKE ELIMINATOR (VDSC)
13	PE050056		OVEN LIGHT ASSY 12V/5W
14	E9107263		OVEN TOP 30 (DED0205)
15	E9107264		OVEN BACK 30 (DED0205)
16	NOT REPLACEABLE		OVEN CAVITY (NOT REPLACEABLE PART)
17	NOT REPLACEABLE		OVEN CAVITY (NOT REPLACEABLE PART)
18	NOT REPLACEABLE		OVEN CAVITY (NOT REPLACEABLE PART)
19	A2002904		SIDE INSULATION RETAINER
20	PC020016		HINGE RECEIVER (VEDO/VEDO)
21	PE050112		DOOR LATCH
22	PE050059		HI-LIMIT SWITCH
23	G3207273		CONCEALED BROIL ELEMENT ASSY (DED0)
24	G3007463		30 LOWER TOP INSUL. RETAIN. ASSY
25	A1007280		LOWER BACK INSUL. PANEL 30
26	NOT REPLACEABLE		OVEN CAVITY (NOT REPLACEABLE PART)
27	NOT REPLACEABLE		OVEN CAVITY (NOT REPLACEABLE PART)
NI	PJ030006		SWITCH (COOLING FAN)
NI	PB080002		BROILER PAN
NI	PB080003		BROILER PAN TRAY (KRA2)



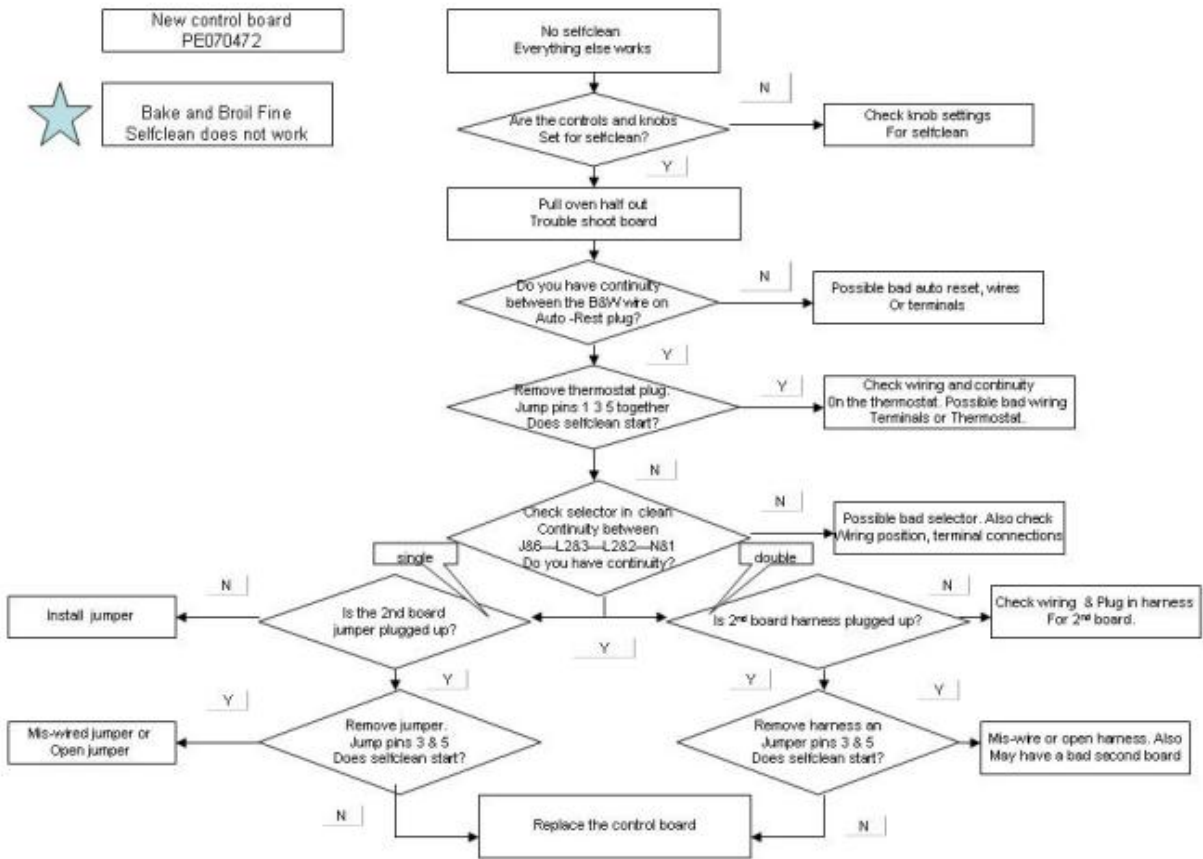
Ref #	Part Number	Qty.	Description
1	A2006182		AIR SCOOP
2	A1006179		DOUBLE VENT COVER PLATE
3	A1006178		LOWER VENT COVER PLATE
4	A2006180		DOUBLE OVEN FLUE COVER
5	A2006181		DOUBLE OVEN FLUE
6	A2006324		VENT SIDE LH
7	A2006323		VENT SIDE RH
8	A2006048		FAN MOUNTING BRACKET
9	A2006321		LOWER VENT SIDE RH
10	A2006322		LOWER VENT SIDE RH
11	A2006199		LOWER AIR VENT



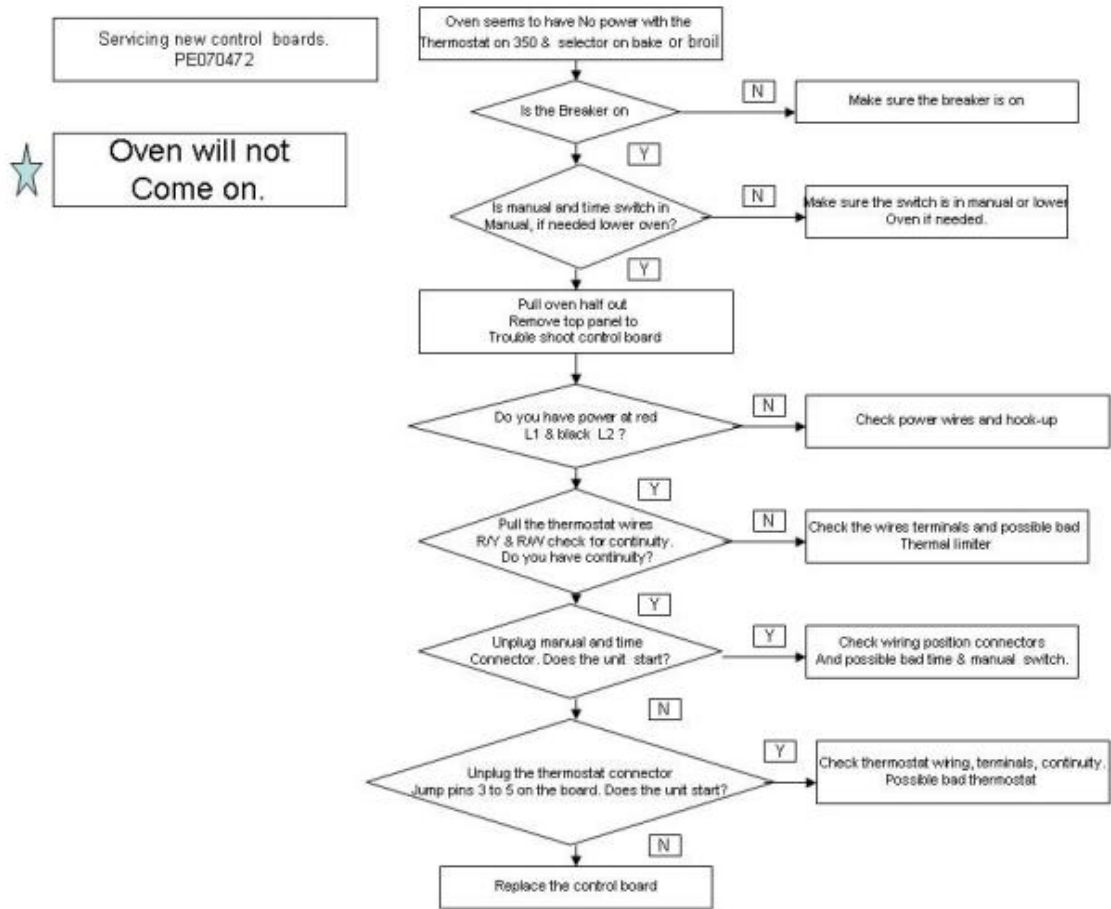
Ref #	Part Number	Qty.	Description
1	PE030167		30 DOOR HANDLE
	PE030167PVD		30 DOOR HANDLE PVD
2	G5008293BK		O/S DOOR SKIN ASSEMBLY (DESIGN)
	G5008293BT		O/S DOOR SKIN ASSEMBLY (DESIGN)
	G5008293GG		O/S DOOR SKIN ASSEMBLY (DESIGN)
	G5008293SG		O/S DOOR SKIN ASSEMBLY (DESIGN)
	G5008293SS		O/S DOOR SKIN ASSEMBLY (DESIGN)
	G5008293WH		O/S DOOR SKIN ASSEMBLY (DESIGN)
3	PC020139		DESIGNER DOOR HINGE (AFTER 2/15/02)
4	A1006196		OUTER DOOR HEAT SHIELD 30
5	A1006195		INNER DOOR HEAT SHIELD 30
6	A2006016		30 INCH DESIGNER DOOR INSULATION
7	PE060057		30 GLASS PACK GLASS H.T.
8	H3006156		30 INCH GLASS PK FRAME WELD
9	H3006158		30 INCH GLASS PACK FRAME WELD
10	G50010118		DESO100/105/DED0200/205 DR LINER SVC-KIT
11	G50010118		DESO100/105/DED0200/205 DR LINER SVC-KIT
NI	PB070041		SUB TO 000623-000 - DOOR GASKET(3/8DIA.) (VDSC)
NI	PB070093		BOARD INSULATION 30
NI	PB070094		1/4 FIBERGLASS ROPE
NI	PD020032		SRW-8(A)X3/8PH.WFR HD 7/16DIAXNICL
NI	B1007913		HINGE CLIP (DESIGNER TIME PIECE)
NI	G3207283BK		DOOR ASSY XBKX (DED0205/DESO105)
NI	G3207283BKBR		DOOR ASSY XBKXBRX(DED0205/DESO105)
NI	G3207283BT		DOOR ASSY XBTX (DED0205/DESO105)
NI	G3207283BTBR		DOOR ASSY XBTXBRX(DED0205/DESO105)
NI	G3207283GG		DOOR ASSY XGGX (DED0205/DESO105)
NI	G3207283GGBR		DOOR ASSY XGGXBRX(DED0205/DESO105)
NI	G3207283SG		DOOR ASSY XSGX (DED0205/DESO105)
NI	G3207283SGBR		DOOR ASSY XSGXBRX(DED0205/DESO105)
NI	G3207283SS		DOOR ASSY XSSX (DED0205/DESO105)
NI	G3207283SSBR		DOOR ASSY XSSXBRX(DED0205/DESO105)
NI	G3207283WH		DOOR ASSY XWHX (DED0205/DESO105)
NI	G3207283WHBR		DOOR ASSY XWHXBRX(DED0205/DESO105)



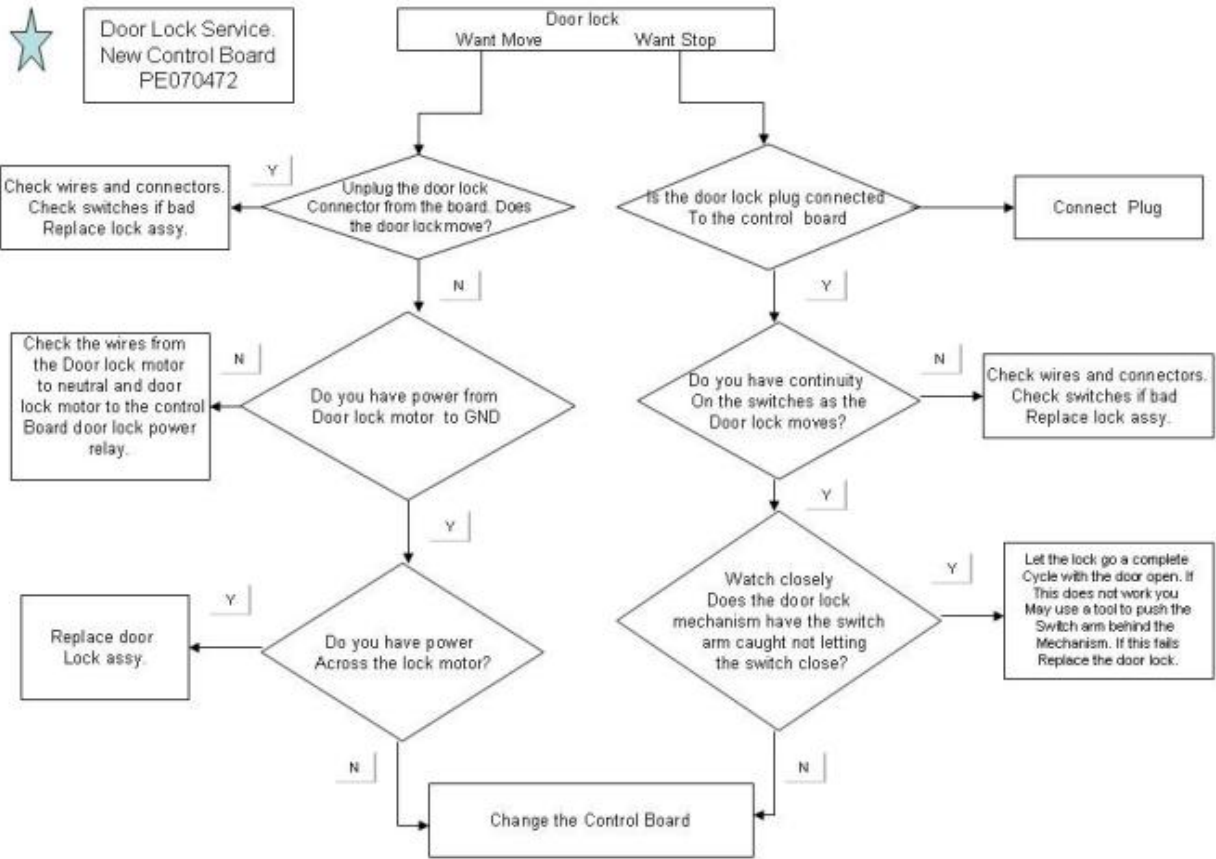
Ref #	Part Number	Qty.	Description
1	PE030167		30 DOOR HANDLE
	PE030167PVD		30 DOOR HANDLE PVD
2	G5008294BK		O/S DOOR SKIN ASSEMBLY (DESIGN)
	G5008294BT		O/S DOOR SKIN ASSEMBLY (DESIGN)
	G5008294GG		O/S DOOR SKIN ASSEMBLY (DESIGN)
	G5008294SG		O/S DOOR SKIN ASSEMBLY (DESIGN)
	G5008294SS		O/S DOOR SKIN ASSEMBLY (DESIGN)
	G5008294WH		O/S DOOR SKIN ASSEMBLY (DESIGN)
3	PC020139		DESIGNER DOOR HINGE (AFTER 2/15/02)
4	A1006196		OUTER DOOR HEAT SHIELD 30
5	A1006195		INNER DOOR HEAT SHIELD 30
6	A2006016		30 INCH DESIGNER DOOR INSULATION
7	PE060057		30 GLASS PACK GLASS H.T.
8	H3006156		30 INCH GLASS PK FRAME WELD
9	H3006158		30 INCH GLASS PACK FRAME WELD
10	G50010118		DESO100/105/DED0200/205 DR LINER SVC-KIT
11	G50010118		DESO100/105/DED0200/205 DR LINER SVC-KIT
NI	PB070041		SUB TO 000623-000 - DOOR GASKET(3/8DIA.) (VDSC)
NI	PB070093		BOARD INSULATION 30
NI	PB070094		1/4 FIBERGLASS ROPE
NI	PD020032		SRW-8(A)X3/8PH.WFR HD 7/16DIAXNICL
NI	B1007913		HINGE CLIP (DESIGNER TIME PIECE)
NI	G3207277BK		LOWER DR ASSY XBKX (DED0205)
NI	G3207277BKBR		LOWER DR ASSY XBKXBRX(DED0205)
NI	G3207277BT		LOWER DR ASSY XBTX (DED0205)
NI	G3207277BTBR		LOWER DR ASSY XBTXBRX(DED0205)
NI	G3207277GG		LOWER DR ASSY XGGX (DED0205)
NI	G3207277GGBR		LOWER DR ASSY XGGXBRX(DED0205)
NI	G3207277SG		LOWER DR ASSY XSGX (DED0205)
NI	G3207277SGBR		LOWER DR ASSY XSGXBRX(DED0205)
NI	G3207277SS		LOWER DR ASSY XSSX(DED0205)
NI	G3207277SSBR		LOWER DR ASSY XSSXBRX(DED0205)
NI	G3207277WH		LOWER DR ASSY XWHX (DED0205)
NI	G3207277WHBR		LOWER DR ASSY XWHXBRX (DED0205)



Ref #	Part Number	Qty.	Description
-------	-------------	------	-------------



Ref #	Part Number	Qty.	Description
-------	-------------	------	-------------



Ref #	Part Number	Qty.	Description
-------	-------------	------	-------------
