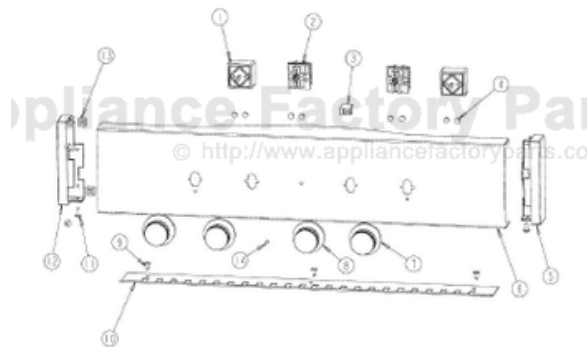


This Owner's Manual is provided and hosted by [Appliance Factory Parts](http://www.appliancefactoryparts.com).



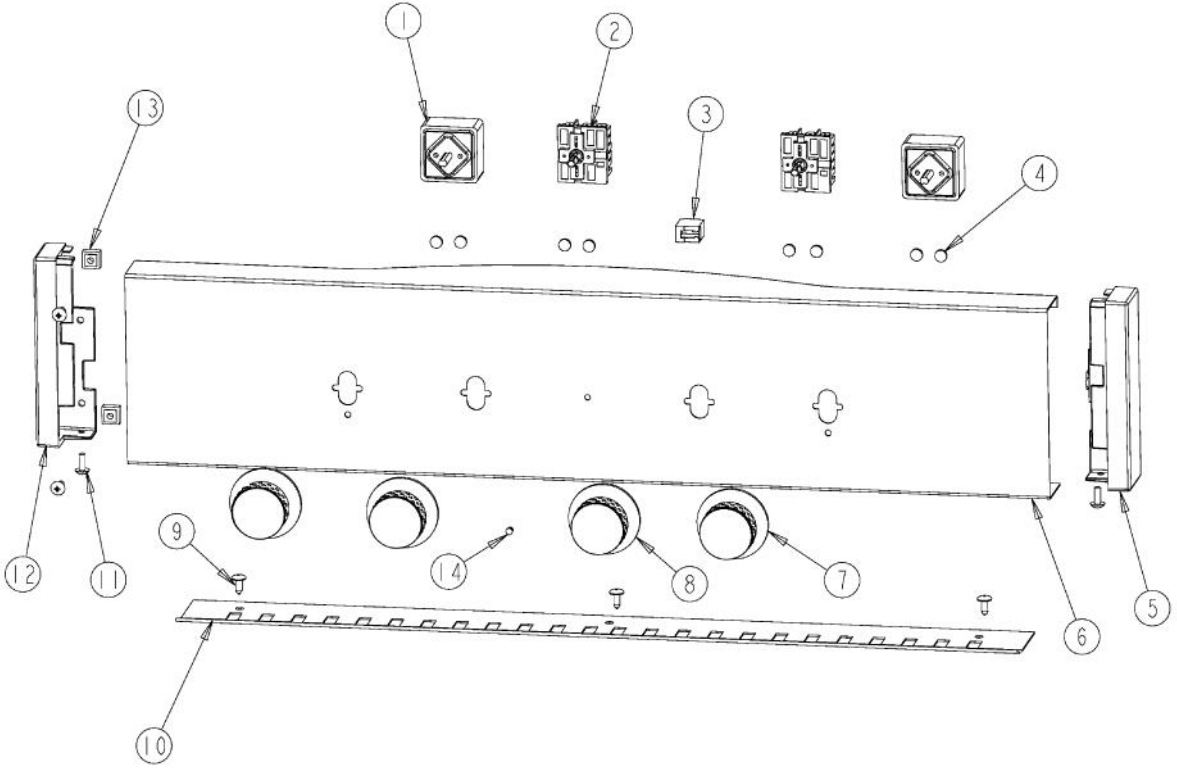
# VIKING DERT301 Owner's Manual

[Shop genuine replacement parts for VIKING DERT301](#)

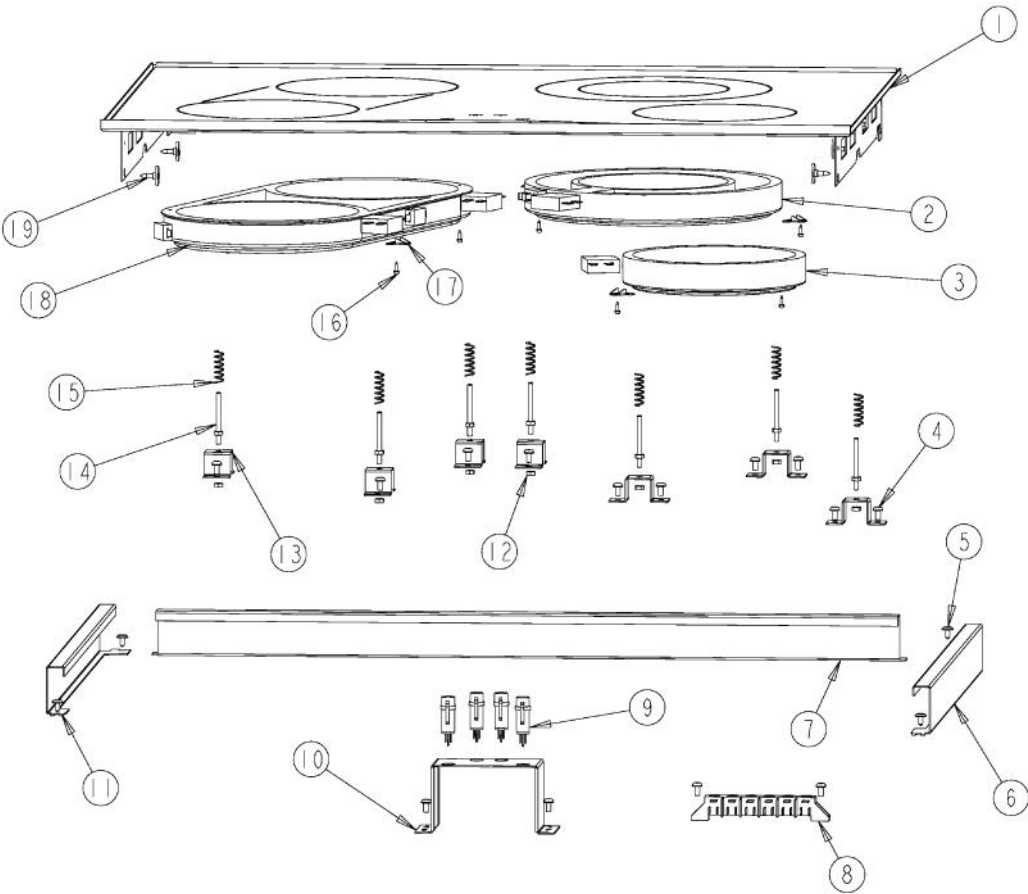


[Find Your VIKING Range Hoods Parts - Select From 411 Models](#)

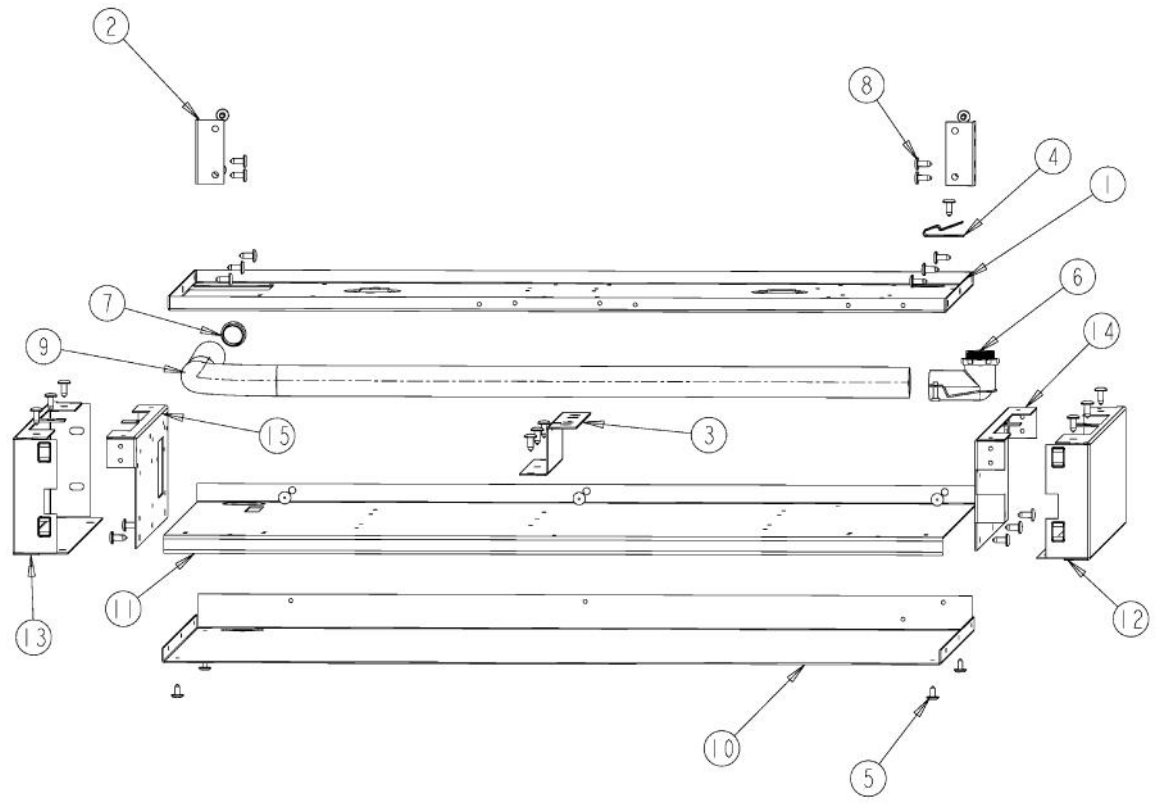
----- Manual continues below -----



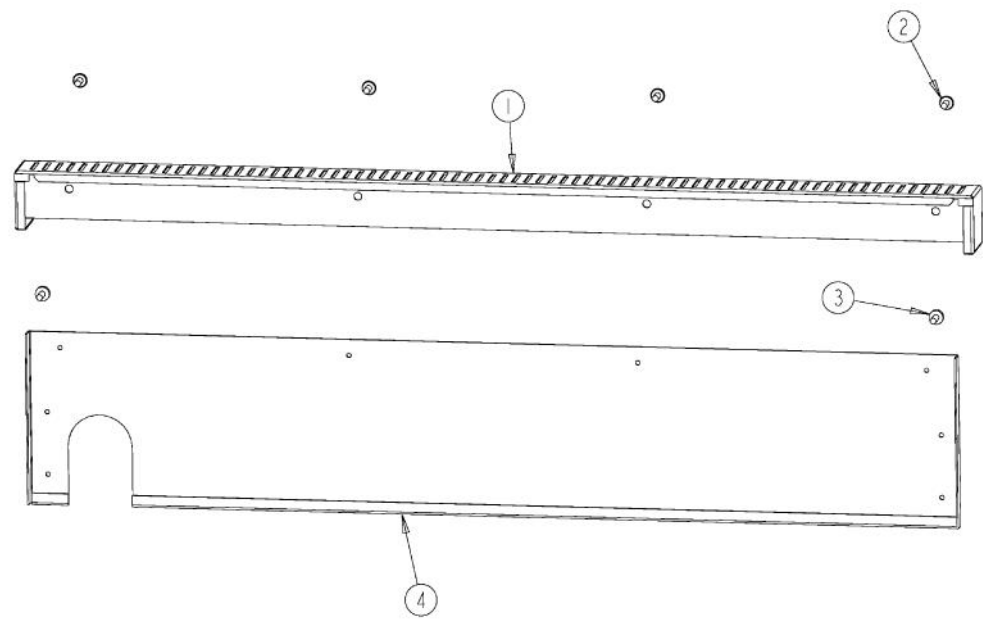
| Ref # | Part Number | Qty. | Description                    |
|-------|-------------|------|--------------------------------|
| 1     | PJ030019    |      | INFINITE SWITCH                |
| 2     | PJ030028    |      | DUAL INFINITE SWITCH           |
| 3     | PE050079    |      | LENS OPENING                   |
| 4     | PD020044    |      | NO.8-32 X 1/4 PH. TR. HD. M.S. |
| 5     | PE030141    |      | CONTROL PANEL END CAP, RH DGRT |
| 6     | B92012270   |      | CONTROL PANEL- DERT300-4B      |
| 7     | PA010207    |      | KNOB-CHROME W/BLACK SLEEVE     |
|       | PA010207PVD |      | KNOB- BRASS W/BLACK SLEEVE     |
|       | PA010208    |      | KNOB-CHROME W/GRAY SLEEVE      |
|       | PA010208PVD |      | KNOB- BRASS W/GRAY SLEEVE      |
| 8     | PA010209    |      | KNOB - CHROME/BLK/DUAL INF.    |
|       | PA010209PVD |      | KNOB - BRASS/BLK/DUAL INF.     |
|       | PA010210    |      | KNOB - CHROME/GRAY/DUAL INF.   |
|       | PA010210PVD |      | KNOB - BRASS/GRAY/DUAL INF.    |
| 9     | PD020002    |      | 10 X 1/2 PH.TR.HD.SMS.         |
| 10    | A20013835   |      | FINGER SHIELD 30               |
| 11    | PD010003    |      | 10-24 X 1/2 PH.TR.HD.SERD.M.S. |
| 12    | PE030140    |      | CONTROL PANEL END CAP, LH DGRT |
| 13    | PD030005    |      | SELF RETAINING NUT             |
| 14    | PE050080    |      | JEMCO LENS                     |



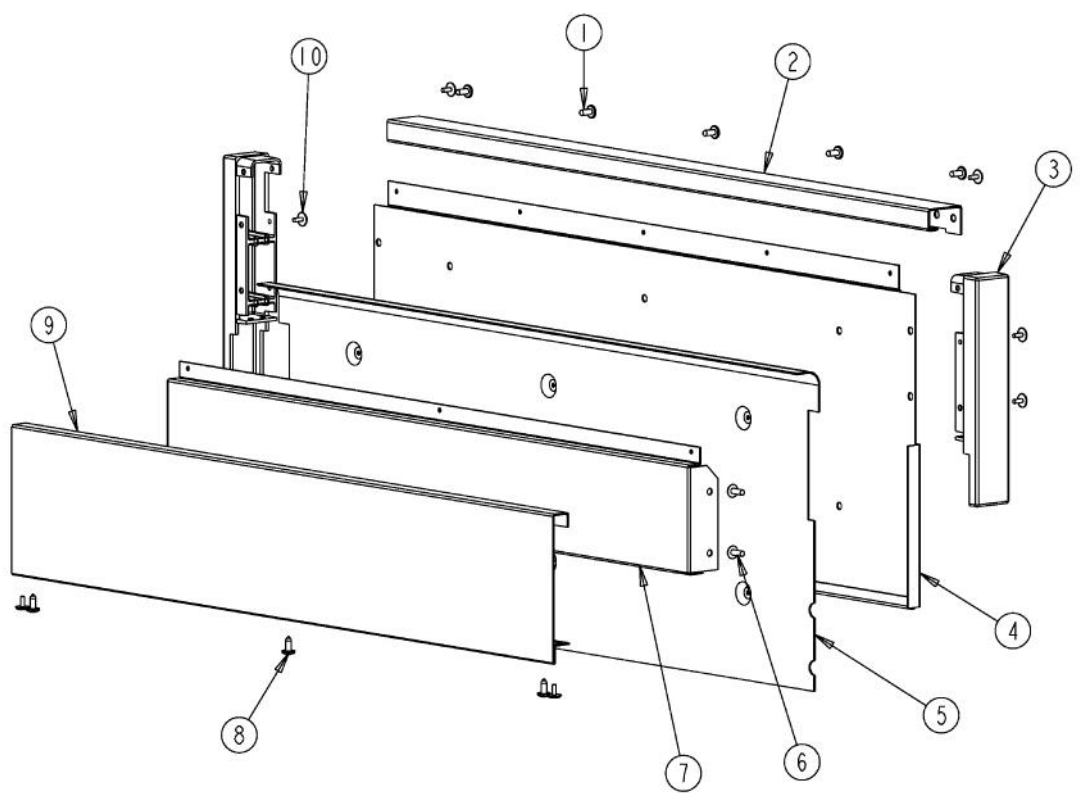
| Ref # | Part Number | Qty. | Description                         |
|-------|-------------|------|-------------------------------------|
| 1     | A2005723    |      | DECU30 LIGHT BRACKET                |
| 2     | B20011269   |      | SIDE TRIM, LH                       |
| 3     | B20013827   |      | BACK TRIM, DETR300                  |
| 4     | PE07231     |      | TERMINAL BLOCK                      |
| 5     | PD020032    |      | SRW-8(A)X3/8PH.WFR HD 7/16DIAXNICL  |
| 6     | PJ020003    |      | ELEMENT                             |
| 7     | PJ020005    |      | 2500 ELEMENT                        |
| 8     | PJ020004    |      | ELEMENT-(2)1800 X 800               |
| 9     | PD020004    |      | 10X3/8PH.HD.TYPE 25 REPL PD040125   |
| 10    | PD010148    |      | ELEMENT STUD                        |
| 11    | PM010494    |      | CERAMASPEED BRACKET                 |
| 12    | PE050113    |      | DECU INDICATOR LIGHT (SP-2185-BDPS) |
| 13    | PD040056    |      | ELEMENT STUD NUT                    |
| 14    | G50013840BK |      | 30 DETR TOP ASSY XBKX               |
|       | G50013840WH |      | GLASS TOP ASSEMBLY - WHITE GLASS    |
| 15    | A20014957   |      | GUIDE MOUNTING BRACKET              |
| 16    | PC010006    |      | GUIDE SPRING DESU                   |
| 17    | B20011270   |      | SIDE TRIM, RH                       |
| 18    | PD020013    |      | TYPE AB NO.6 X 3/8 PH PAN HD. SMS   |
| 19    | PD010151    |      | SHOULDER SCREW                      |



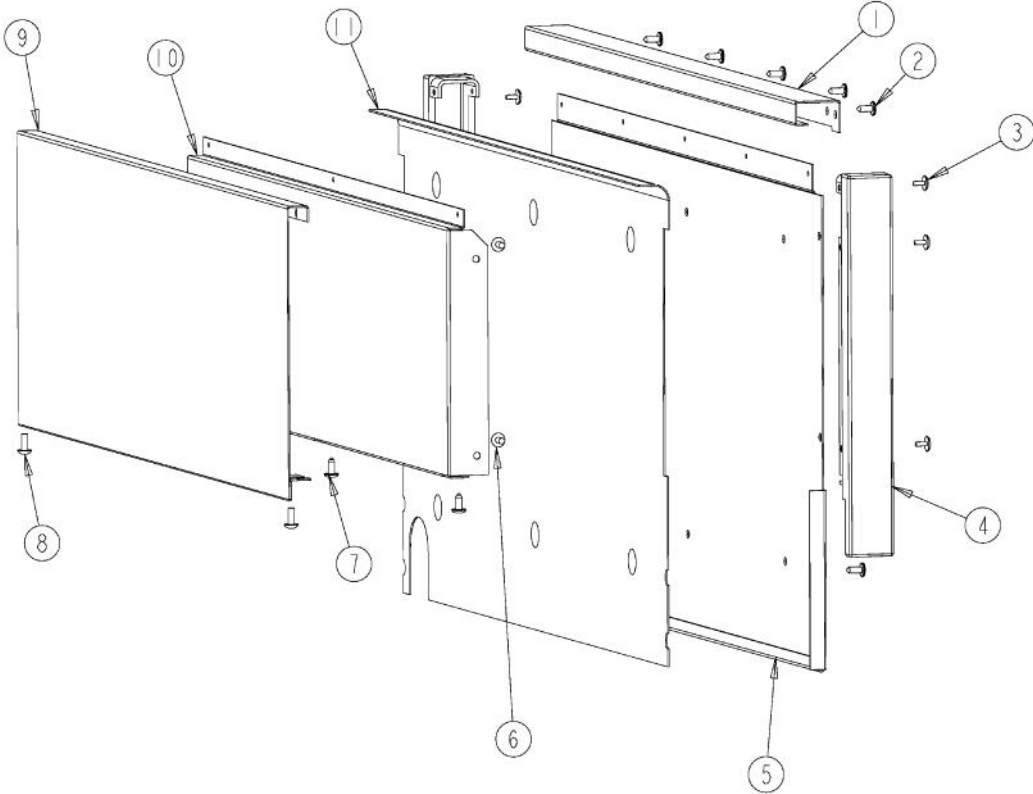
| Ref # | Part Number | Qty. | Description                         |
|-------|-------------|------|-------------------------------------|
| 1     | A20011409   |      | BURNER PAN SUPPORT DGRT30           |
| 2     | A20013830   |      | GLASS TRAY SIDE BRACKET             |
| 3     | A20013839   |      | ELEMENT SUPPORT BRACE               |
| 4     | PD030062    |      | .250 HI-LIMIT SWITCH CLAMP(VGSC306) |
| 5     | PD020032    |      | SRW-8(A)X3/8PH.WFR HD 7/16DIAXNICL  |
| 6     | PB040259    |      | 90 DEG. 3/4 CONDUIT FITTING         |
| 7     | PD040131    |      | CONDUIT GROMMET (3/4)               |
| 8     | PD020002    |      | 10 X 1/2 PH.TR.HD.SMS.              |
| 9     | PB020259    |      | 3/4 CONDUIT                         |
| 10    | A20014518   |      | BURNER BOX BOTTOM                   |
| 11    | A20014519   |      | INSULATION PANEL                    |
| 12    | B20011272   |      | SIDE PANEL, RH                      |
| 13    | B20011271   |      | SIDE PANEL, LH                      |
| 14    | A20011268   |      | BURNER BOX SIDE, RH                 |
| 15    | A20011267   |      | BURNER BOX SIDE, LH                 |



| Ref # | Part Number | Qty. | Description                   |
|-------|-------------|------|-------------------------------|
| 1     | B30012255   |      | ISLAND TRIM TOP               |
| 2     | PD020046    |      | NO.8 X 1/2 SCREWS             |
| 3     | PD020056    |      | NO.10-24 X 1/2 PH.TR. M.S. SS |
| 4     | A20012256   |      | ISLAND TRIM BACK              |



| Ref # | Part Number | Qty. | Description                          |
|-------|-------------|------|--------------------------------------|
| 1     | PD020046    |      | NO.8 X 1/2 SCREWS                    |
| 2     | B20012254   |      | BACKGUARD, TOP                       |
| 3     | PE030152    |      | BACKGUARD ENDCAP, RH, DGRT           |
| 4     | A20011404   |      | BACKGUARD BACK                       |
| 5     | B20011405   |      | INSIDE SHIELD                        |
| 6     | PD010003    |      | 10-24 X 1/2 PH.TR.HD.SERD.M.S.       |
| 7     | A20011406   |      | BACKGUARD FRONT SUPPORT              |
| 8     | PD020002    |      | 10 X 1/2 PH.TR.HD.SMS.               |
| 9     | B20011407   |      | BACKGUARD FRONT                      |
| 10    | PD020073    |      | SRW NO.10 X 24 X 3/8 WAFER HD TYPE23 |



| Ref # | Part Number | Qty. | Description                          |
|-------|-------------|------|--------------------------------------|
| 1     | B20012254   |      | BACKGUARD, TOP                       |
| 2     | PD020046    |      | NO.8 X 1/2 SCREWS                    |
| 3     | PD020073    |      | SRW NO.10 X 24 X 3/8 WAFER HD TYPE23 |
| 4     | PE030176    |      | BACKGUARD ENDCAP, 10 RH DGRT         |
| 5     | A20013849   |      | BACKGUARD BACK                       |
| 6     | PD020056    |      | NO.10-24 X 1/2 PH.TR. M.S. SS        |
| 7     | PD020002    |      | 10 X 1/2 PH.TR.HD.SMS.               |
| 8     | PD010003    |      | 10-24 X 1/2 PH.TR.HD.SERD.M.S.       |
| 9     | B20013848   |      | BACKGUARD FRONT                      |
| 10    | A20013847   |      | BACKGUARD FRONT SUPPORT              |
| 11    | B20013850   |      | INSIDE SHIELD                        |



| Ref # | Part Number | Qty. | Description                        |
|-------|-------------|------|------------------------------------|
| 1     | PE070480    |      | EDECU 100 WIRE HARNESS             |
| NI    | G4005496    |      | SUPPLY WIRE - 100 BK 10GA SO/DO    |
| NI    | G4005497    |      | SUPPLY WIRE - 100 GREEN 10GA SO/DO |
| NI    | G4005499    |      | SUPPLY WIRE - 100 RED 10GA SO/DO   |
| NI    | G4005494    |      | SUPPLY WIRE - 75 WH 12 GA SO/DO    |