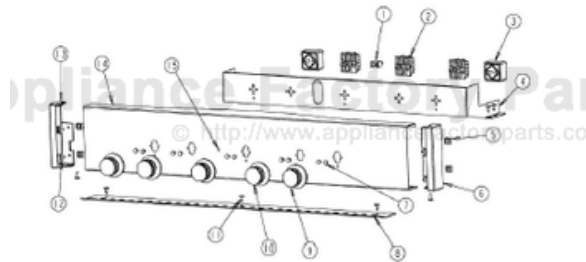


This Owner's Manual is provided and hosted by [Appliance Factory Parts](#).



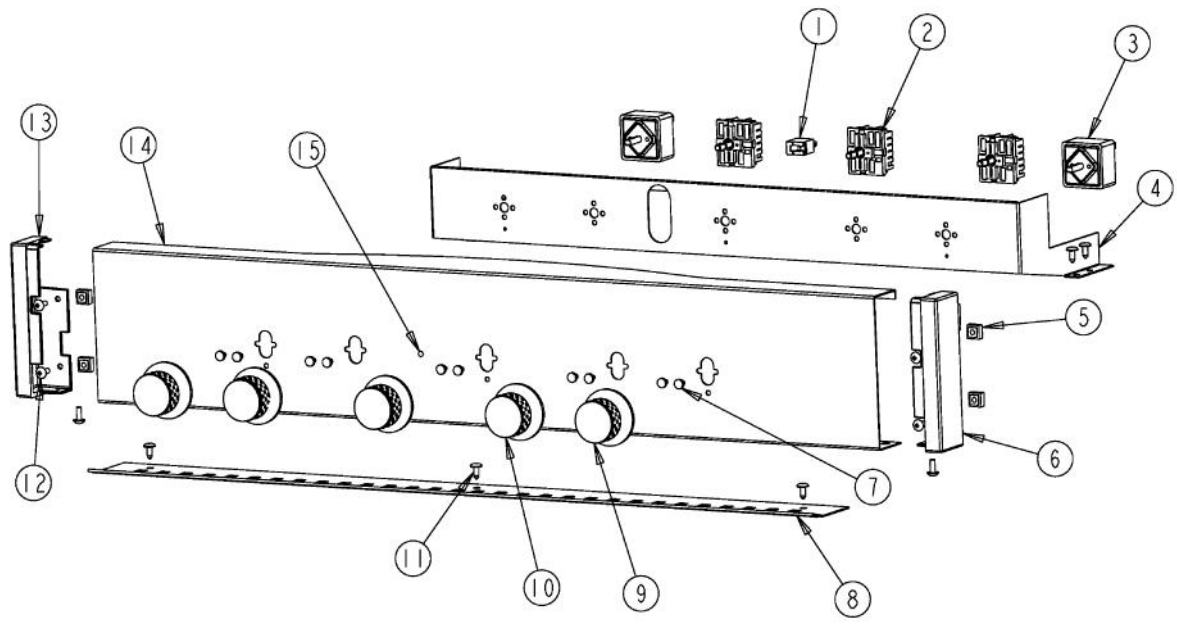
# VIKING DERT361 Owner's Manual

[Shop genuine replacement parts for VIKING DERT361](#)

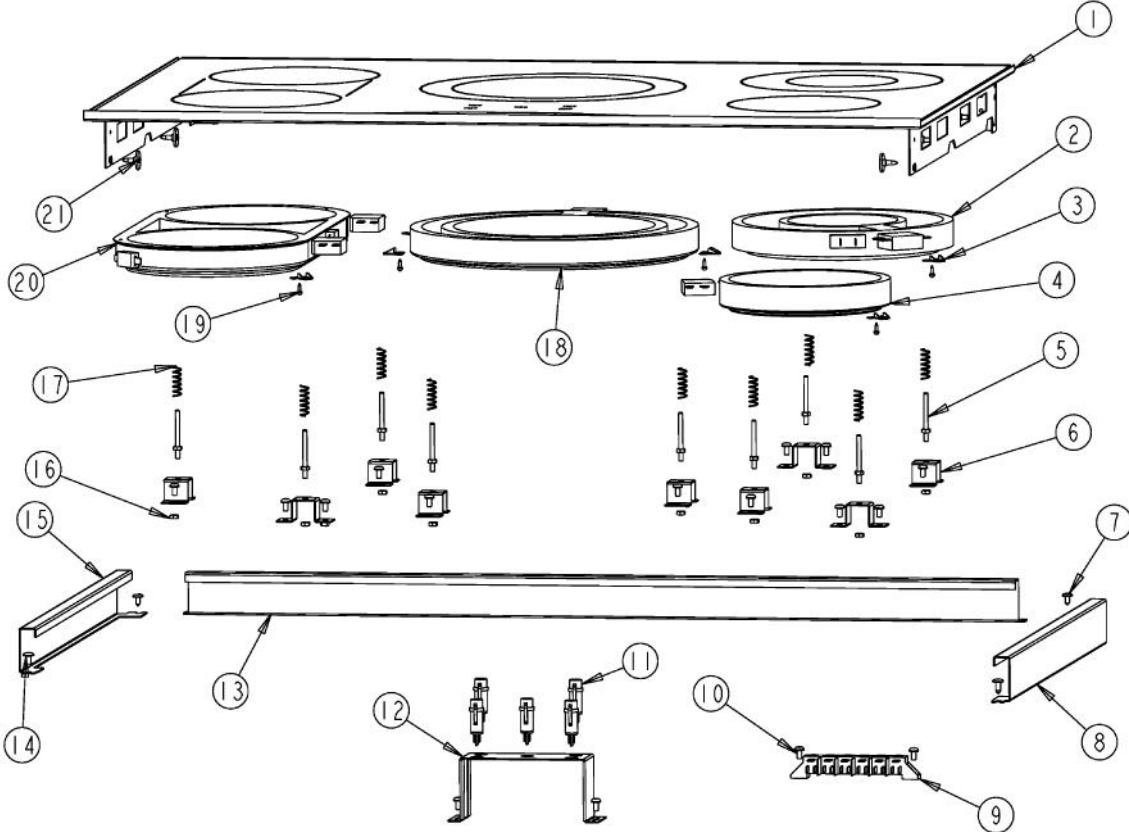


[Find Your VIKING Range Hoods Parts - Select From 411 Models](#)

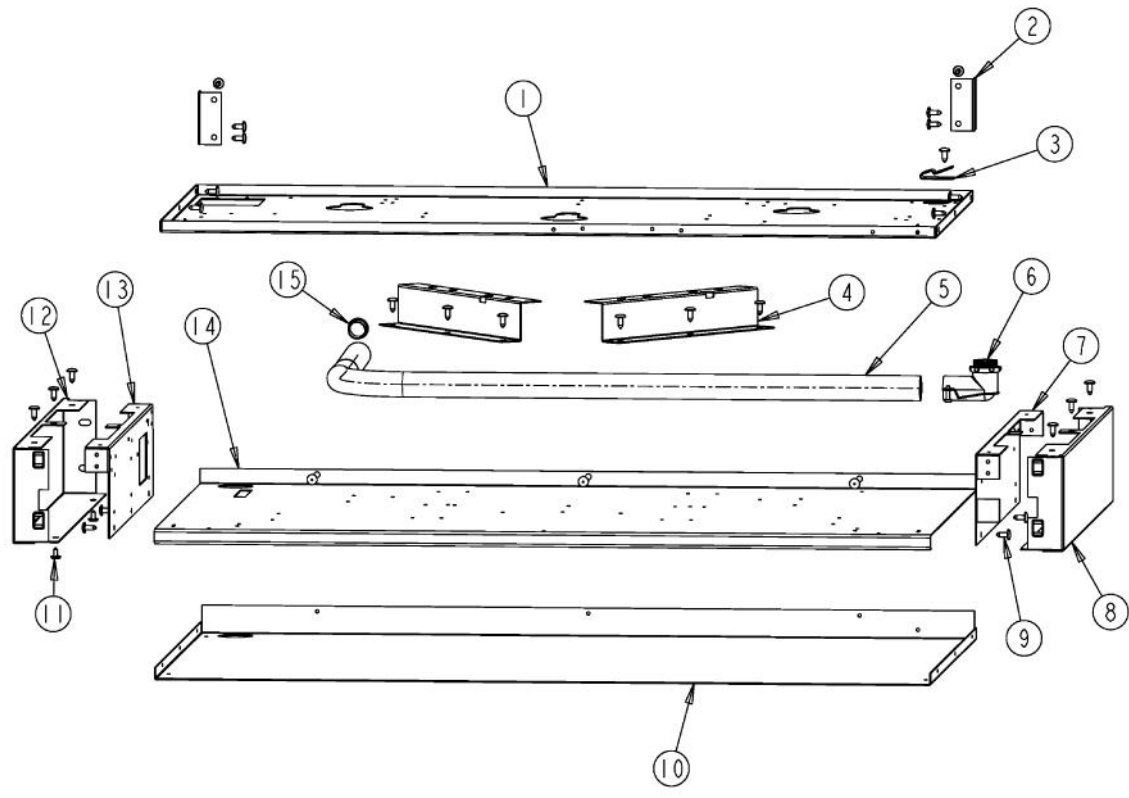
----- Manual continues below -----



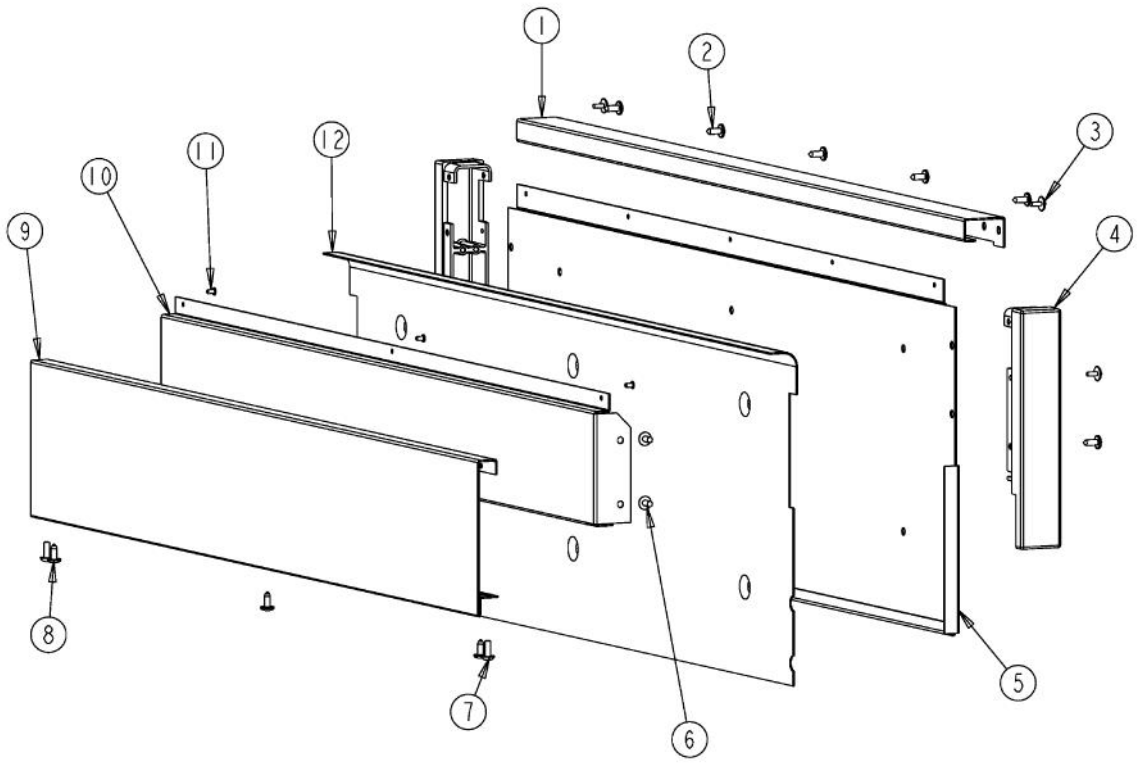
Ref #	Part Number	Qty.	Description
1	PE050079		LENS OPENING
2	PJ030028		DUAL INFINITE SWITCH
3	PJ030019		INFINITE SWITCH
4	A20015497		SWITCH MOUNTING PLATE - 36
5	PD030005		SELF RETAINING NUT
6	PE030141		CONTROL PANEL END CAP, RH DGRT
7	PD020044		NO.8-32 X 1/4 PH. TR. HD. M.S.
8	A20013836		FINGER SHIELD, 36
9	PA010207		KNOB-CHROME W/BLACK SLEEVE
	PA010207PVD		KNOB- BRASS W/BLACK SLEEVE
	PA010208		KNOB-CHROME W/GRAY SLEEVE
	PA010208PVD		KNOB- BRASS W/GRAY SLEEVE
10	PA010209		KNOB - CHROME/BLK/DUAL INF.
	PA010209PVD		KNOB - BRASS/BLK/DUAL INF.
	PA010210		KNOB - CHROME/GRAY/DUAL INF.
	PA010210PVD		KNOB - BRASS/GRAY/DUAL INF.
11	PD020002		10 X 1/2 PH.TR.HD.SMS.
12	PD010003		10-24 X 1/2 PH.TR.HD.SERD.M.S.
13	PE030140		CONTROL PANEL END CAP, LH DGRT
14	B92012271		CONTROL PANEL-DERT360
15	PE050080		JEMCO LENS



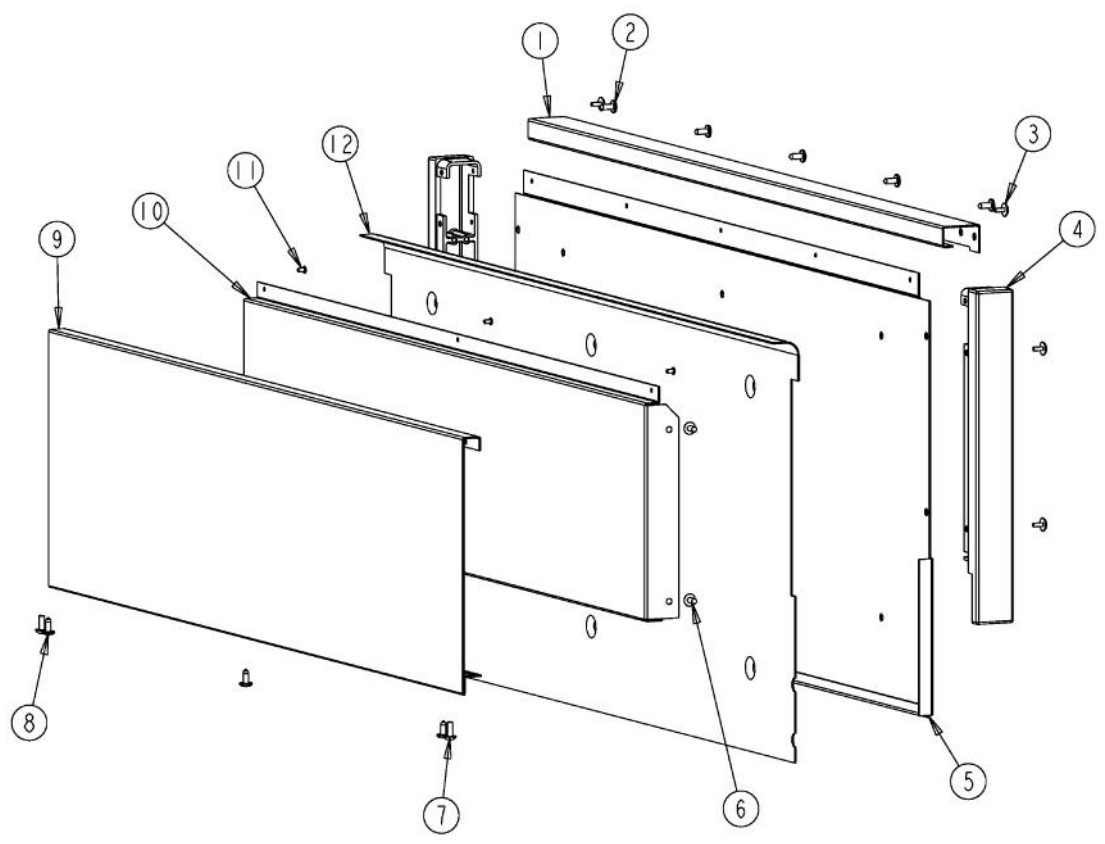
Ref #	Part Number	Qty.	Description
1	G50013841BK G50013841WH		36 DETR TOP ASSY XBKX GLASS TOP ASSEMBLY - WHITE GLASS
2	PJ02002		2200 ELEMENT
3	PM010494		CERAMASPEED BRACKET
4	PJ020003		ELEMENT
5	PD010148		ELEMENT STUD
6	A20014957		GUIDE MOUNTING BRACKET
7	PD020032		SRW-8(A)X3/8PH.WFR HD 7/16DIAXNICL
8	B20011270		SIDE TRIM, RH
9	PE070231		TERMINAL BLOCK - 6 POLE (HEYCO)
10	PD020004		10X3/8PH.HD.TYPE 25 REPL PD040125
11	PE050113		DECU INDICATOR LIGHT (SP-2185-BDPS)
12	A2005726		DECU36 LIGHT HOLDER
13	B20013828		BACK TRIM, DETR360
14	PD020002		10 X 1/2 PH.TR.HD.SMS.
15	B20011269		SIDE TRIM, LH
16	PD040056		ELEMENT STUD NUT
17	PC010006		GUIDE SPRING DESU
18	PJ020015		12 2700/1400W DUAL ZONE ELEMENT
19	PD020013		TYPE AB NO.6 X 3/8 PH PAN HD. SMS
20	PJ020004		ELEMENT-(2)1800 X 800
21	PD020151		SHOULDER SCREW



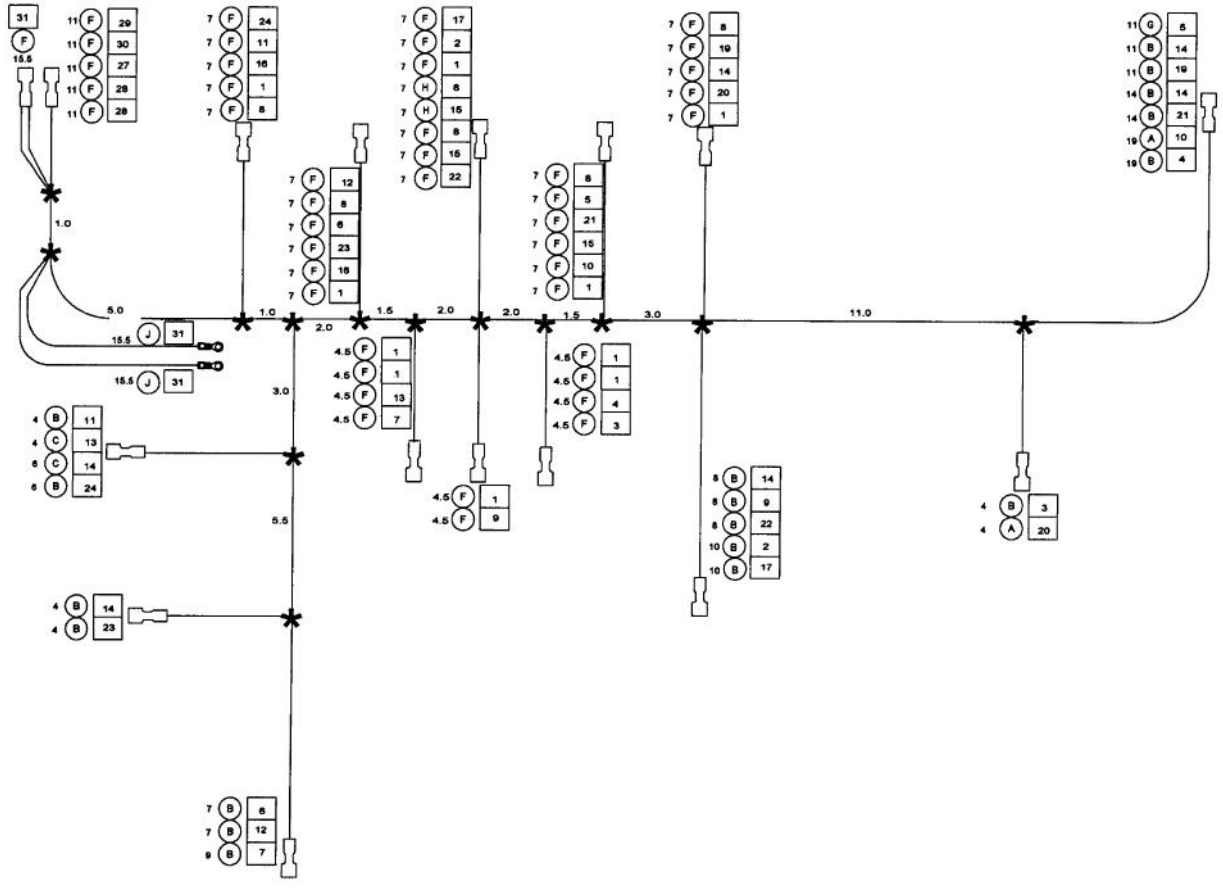
Ref #	Part Number	Qty.	Description
1	A20011265		BURNER PAN SUPPORT
2	A20013830		GLASS TRAY SIDE BRACKET
3	PD030062		.250 HI-LIMIT SWITCH CLAMP(VGSC306)
4	A20013839		ELEMENT SUPPORT BRACE
5	PB020259		3/4 CONDUIT
6	PB040259		90 DEG. 3/4 CONDUIT FITTING
7	A20011268		BURNER BOX SIDE, RH
8	B20011272		SIDE PANEL, RH
9	PD020002		10 X 1/2 PH.TR.HD.SMS.
10	A20014533		36 BURNER BOX BOTTOM
11	PD020032		SRW-8(A)X3/8PH.WFR HD 7/16DIAXNICL
12	B20011271		SIDE PANEL, LH
13	A20011267		BURNER BOX SIDE, LH
14	A20014534		36 BOTTOM INS PANEL
15	PD040131		CONDUIT GROMMET (3/4)



Ref #	Part Number	Qty.	Description
1	B20011284		BACKGUARD, TOP
2	PD020046		NO.8 X 1/2 SCREWS
3	PD020073		SRW NO.10 X 24 X 3/8 WAFER HD TYPE23
4	PE030152		BACKGUARD ENDCAP, RH, DGRT
5	A20011281		BACKGUARD, BACK, 6
6	PD020056		NO.10-24 X 1/2 PH.TR. M.S. SS
7	PD010003		10-24 X 1/2 PH.TR.HD.SERD.M.S.
8	PD020002		10 X 1/2 PH.TR.HD.SMS.
9	B20011282		BACKGUARD, FRONT
10	A20011283		BACKGUARD, FRONT PANEL SUPPORT
11	PC040010		POP RIVET
12	B20011285		HEAT DEFLECTOR



Ref #	Part Number	Qty.	Description
1	B20011284		BACKGUARD, TOP
2	PD020046		NO.8 X 1/2 SCREWS
3	PD020073		SRW NO.10 X 24 X 3/8 WAFER HD TYPE23
4	PE030176		BACKGUARD ENDCAP, 10 RH DGRT
5	A20012263		BACKGUARD BACK
6	PD020056		NO.10-24 X 1/2 PH.TR. M.S. SS
7	PD010003		10-24 X 1/2 PH.TR.HD.SERD.M.S.
8	PD020002		10 X 1/2 PH.TR.HD.SMS.
9	B20012261		BACKGUARD FRONT
10	A20012264		BACKGAURD FRONT SUPPORT
11	PC040010		POP RIVET
12	B20012262		INSIDE SHEILD



Ref #	Part Number	Qty.	Description
1	PE070749		IGNITOR WIRE KIT - VGSC487-6G
NI	G4005496		SUPPLY WIRE - 100 BK 10GA SO/DO
NI	G4005497		SUPPLY WIRE - 100 GREEN 10GA SO/DO
NI	G4005499		SUPPLY WIRE - 100 RED 10GA SO/DO
NI	G4005494		SUPPLY WIRE - 75 WH 12 GA SO/DO